



US00D689758S

(12) **United States Design Patent**
Mikaide

(10) **Patent No.:** **US D689,758 S**

(45) **Date of Patent:** **** Sep. 17, 2013**

(54) **DOOR LOCK STRIKER FOR AUTOMOBILE**

(56) **References Cited**

(71) Applicant: **Aisin Seiki Kabushiki Kaisha**, Kariya (JP)

U.S. PATENT DOCUMENTS

(72) Inventor: **Hiroyuki Mikaide**, Nagoya (JP)

D351,781	S	*	10/1994	DeWitt	D8/344
5,501,495	A	*	3/1996	Claucherty	292/340
D419,425	S	*	1/2000	Clark et al.	D8/343
D442,907	S	*	5/2001	Santelman	D12/223
6,273,480	B1	*	8/2001	Burton	292/340
D526,187	S	*	8/2006	Farrell et al.	D8/343
7,275,774	B2	*	10/2007	Oberheide	292/341.16
7,469,945	B2	*	12/2008	Dennis	292/340
7,730,580	B2	*	6/2010	Mokashi et al.	16/86 R
8,186,742	B2	*	5/2012	Narayana et al.	296/146.6
8,328,270	B2	*	12/2012	Kitayama et al.	296/155
8,376,425	B2	*	2/2013	Paskonis	292/341.15

(73) Assignee: **Aisen Seiki Kabushiki Kaisha**, Kariya-Shi, Aichi-Ken (JP)

(**) Term: **14 Years**

(21) Appl. No.: **29/448,693**

* cited by examiner

(22) Filed: **Mar. 13, 2013**

Primary Examiner — Prabhakar Deshmukh

Related U.S. Application Data

(74) *Attorney, Agent, or Firm* — Buchanan Ingersoll & Rooney PC

(63) Continuation of application No. 29/422,713, filed on May 23, 2012.

(57) **CLAIM**

The ornamental design for a door lock striker for automobile, as shown and described.

(30) **Foreign Application Priority Data**

Nov. 25, 2011 (JP) 2011-027222

(51) **LOC (9) Cl.** **08-07**

(52) **U.S. Cl.**
USPC **D8/343; D8/400**

(58) **Field of Classification Search**
USPC D8/330, 343, 345, 339, 341, 349, D8/400; 70/57, 57.1, 129, 141, 266, 431; 292/340, 341.11, 341.13, 341.18; 16/86 R
See application file for complete search history.

DESCRIPTION

FIG. 1 is a front perspective view of a door lock striker for automobile showing my new design;
FIG. 2 is a front view thereof;
FIG. 3 is a top plan view thereof;
FIG. 4 is a left side view thereof;
FIG. 5 is a front perspective view showing the movable wedge in a position moved in an open direction; and,
FIG. 6 is a referential view showing the article in use.
The features shown in broken lines in the drawings depict environmental subject matter only and form no part of the claimed design.

1 Claim, 6 Drawing Sheets

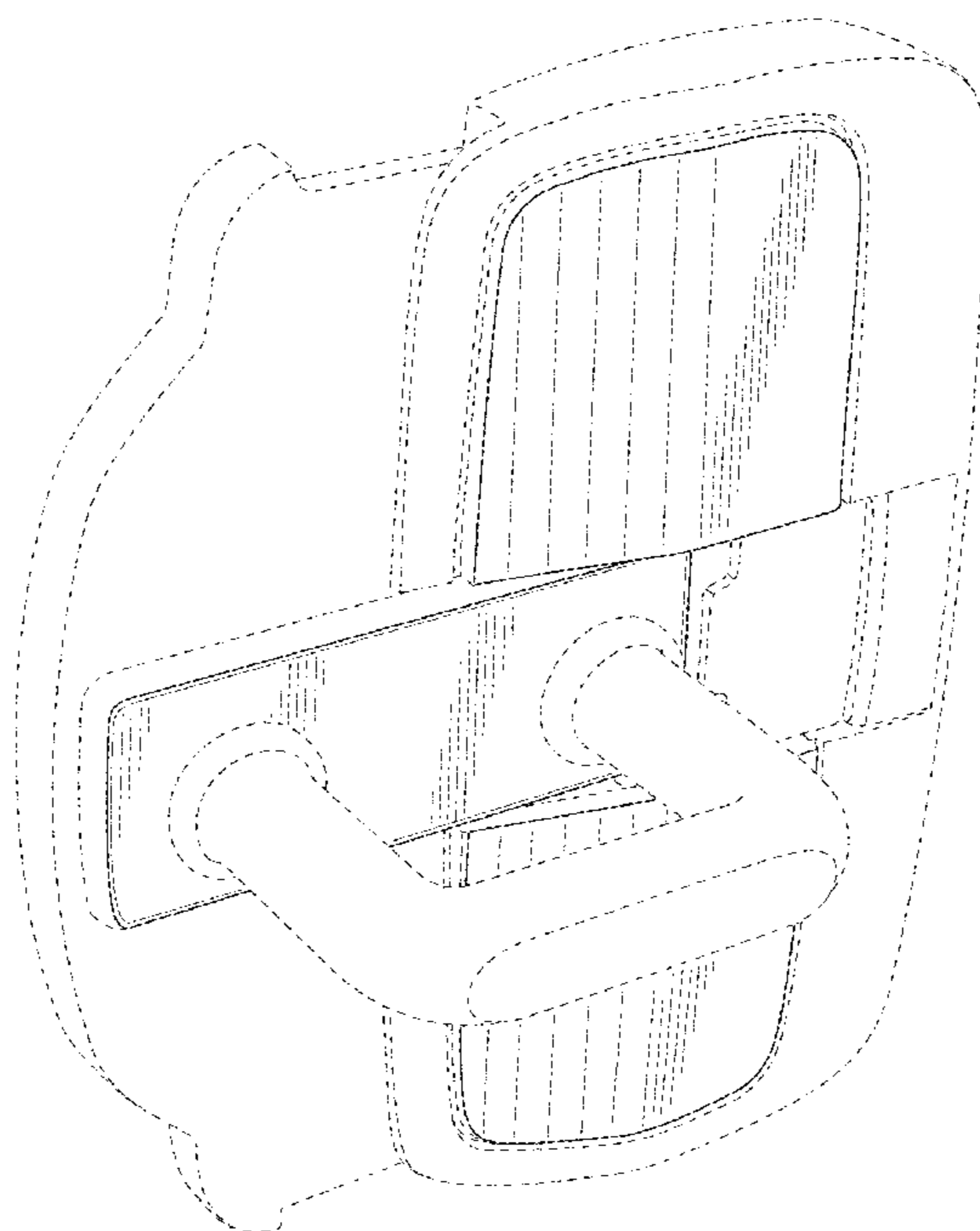


FIG. 1

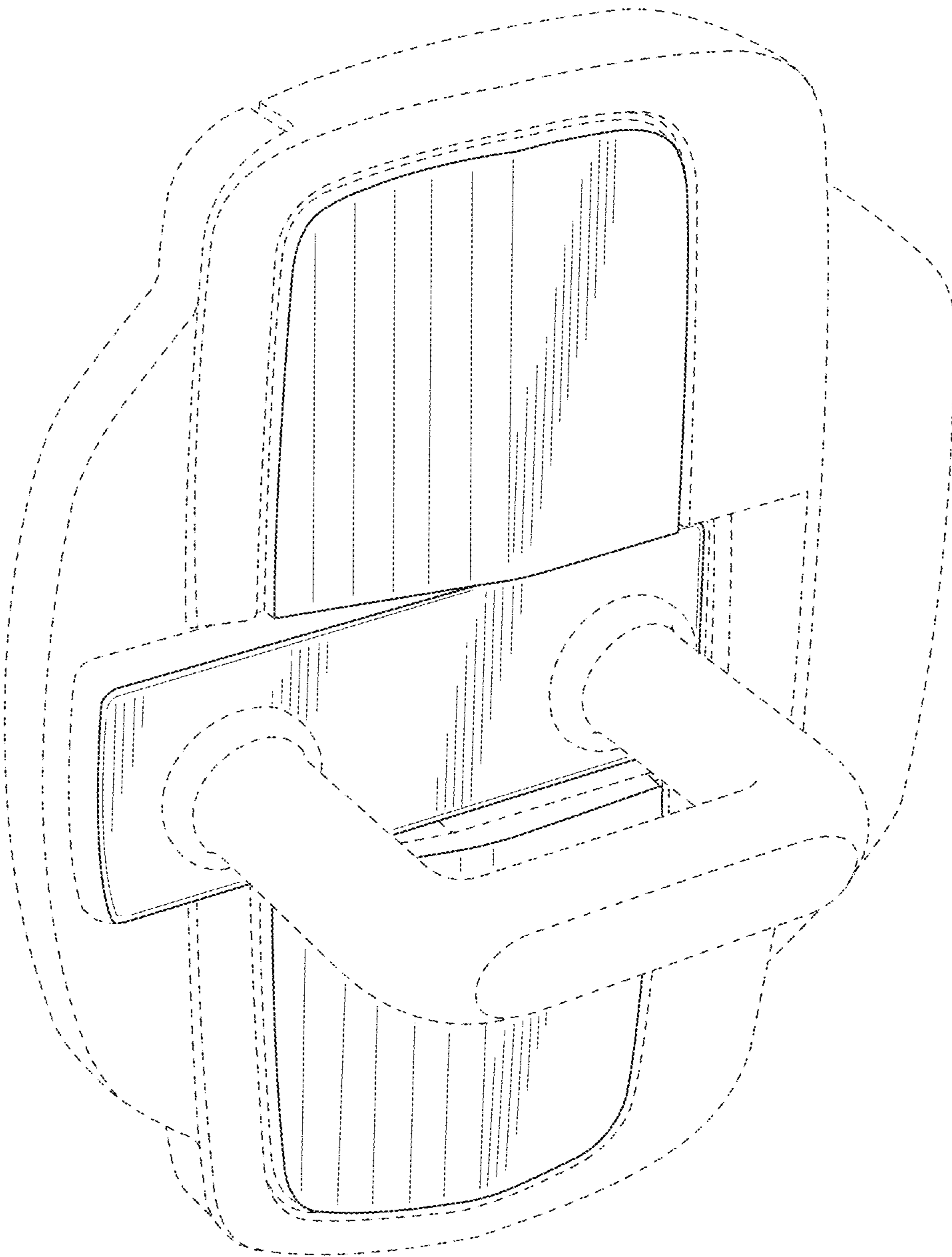


FIG. 2

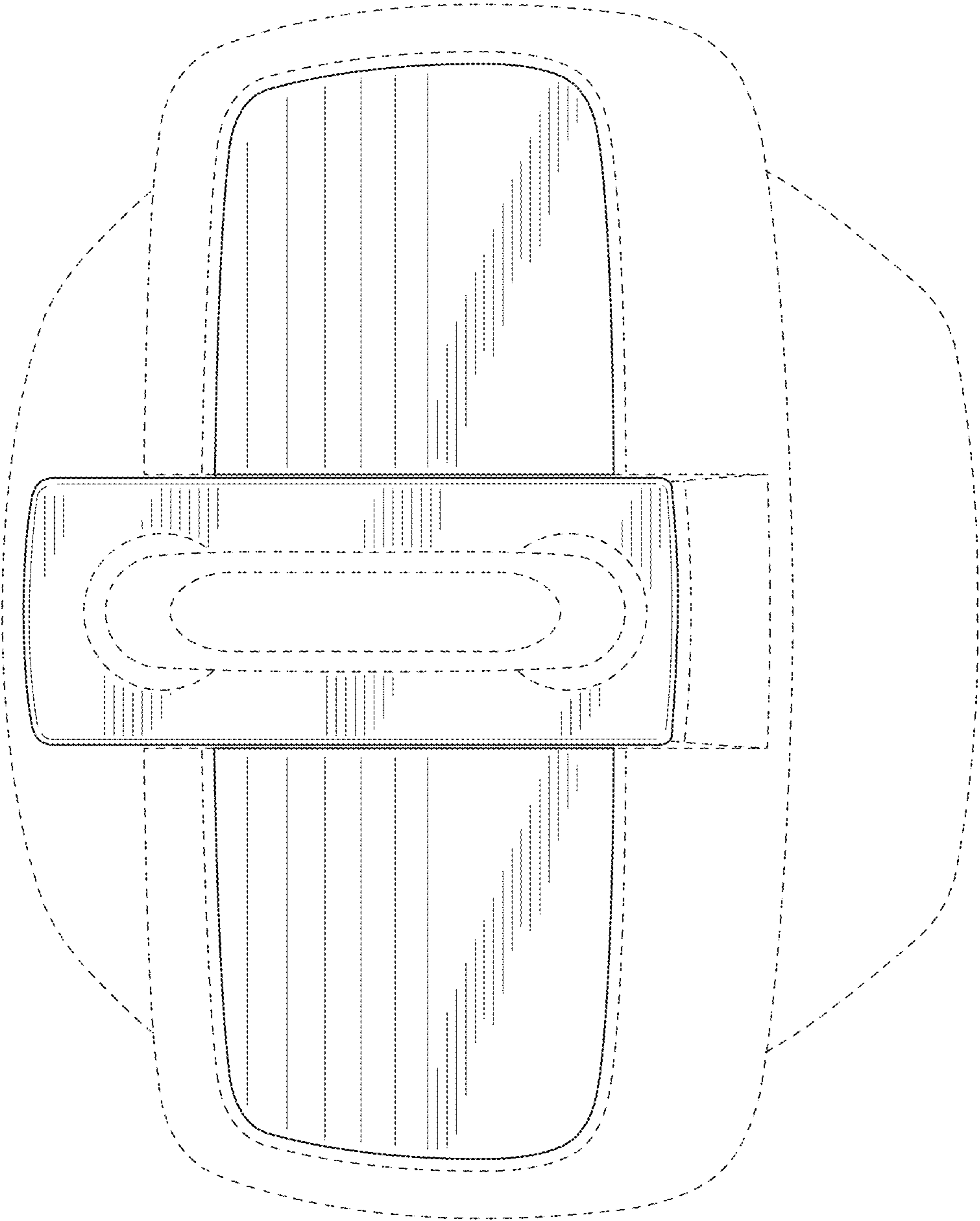


FIG. 3

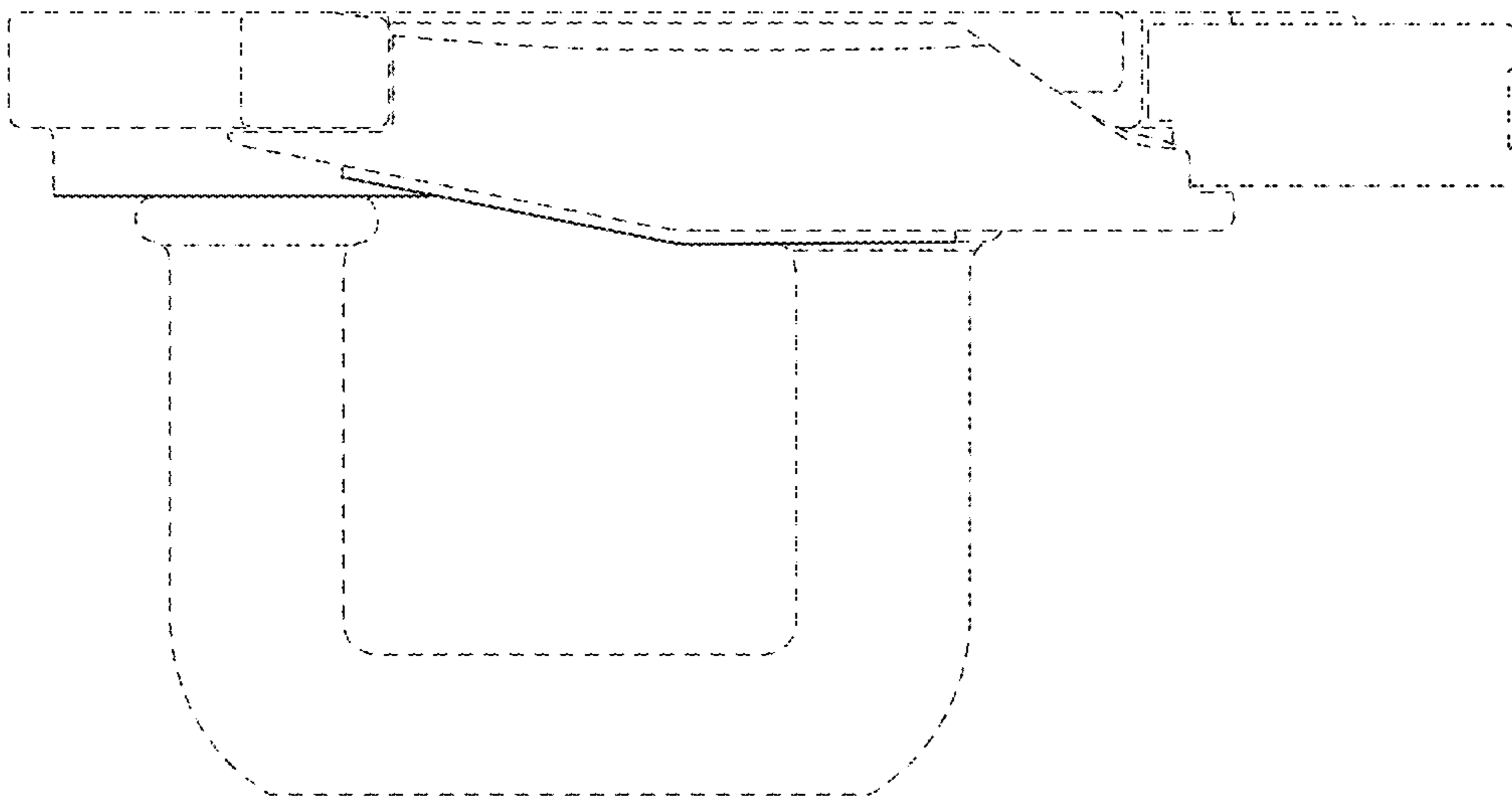


FIG. 4

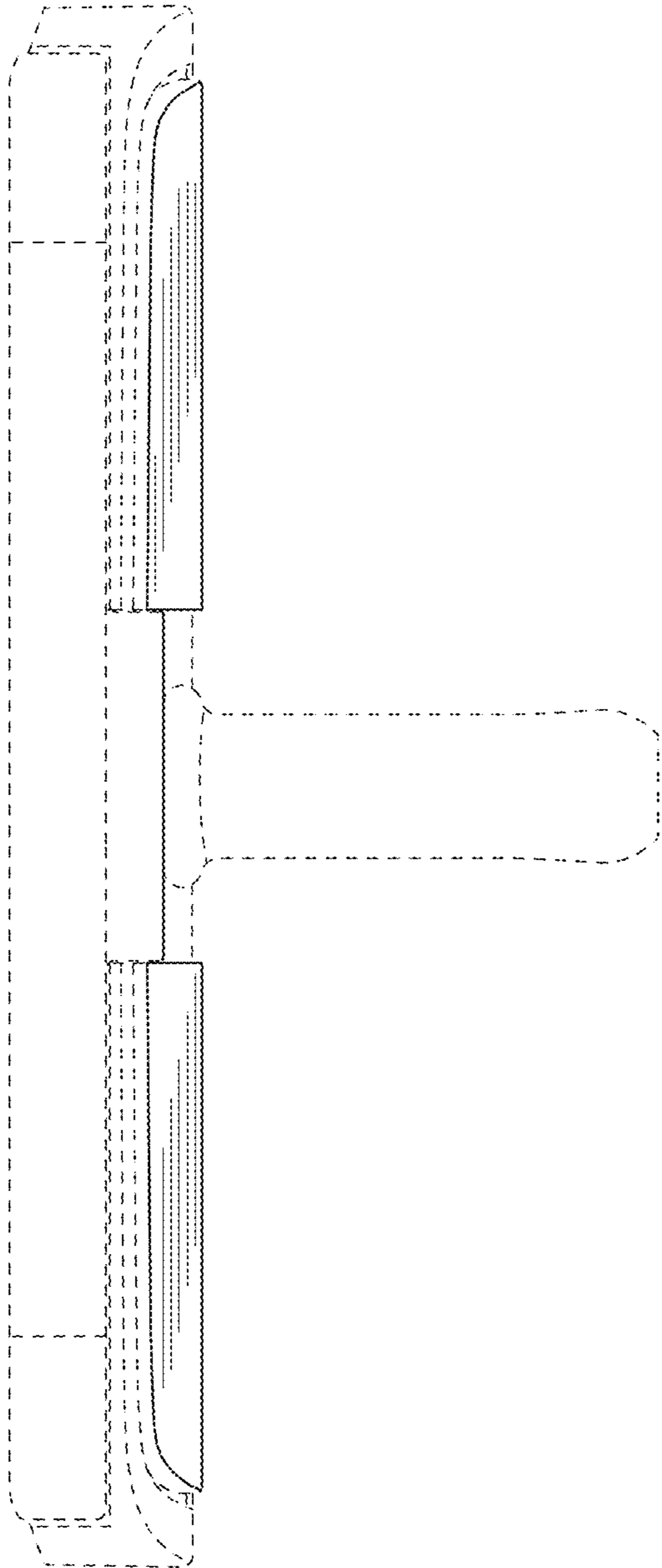


FIG. 5

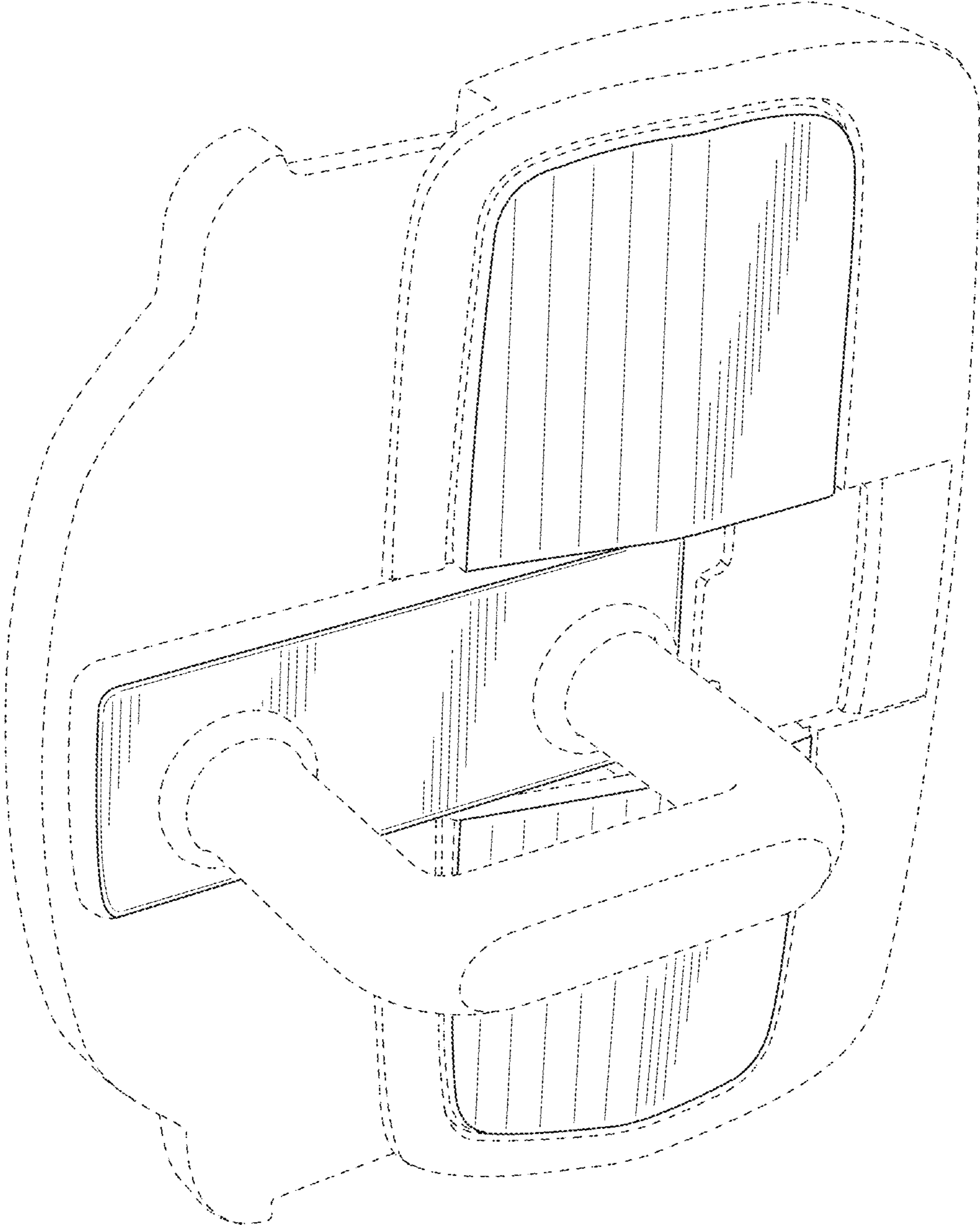
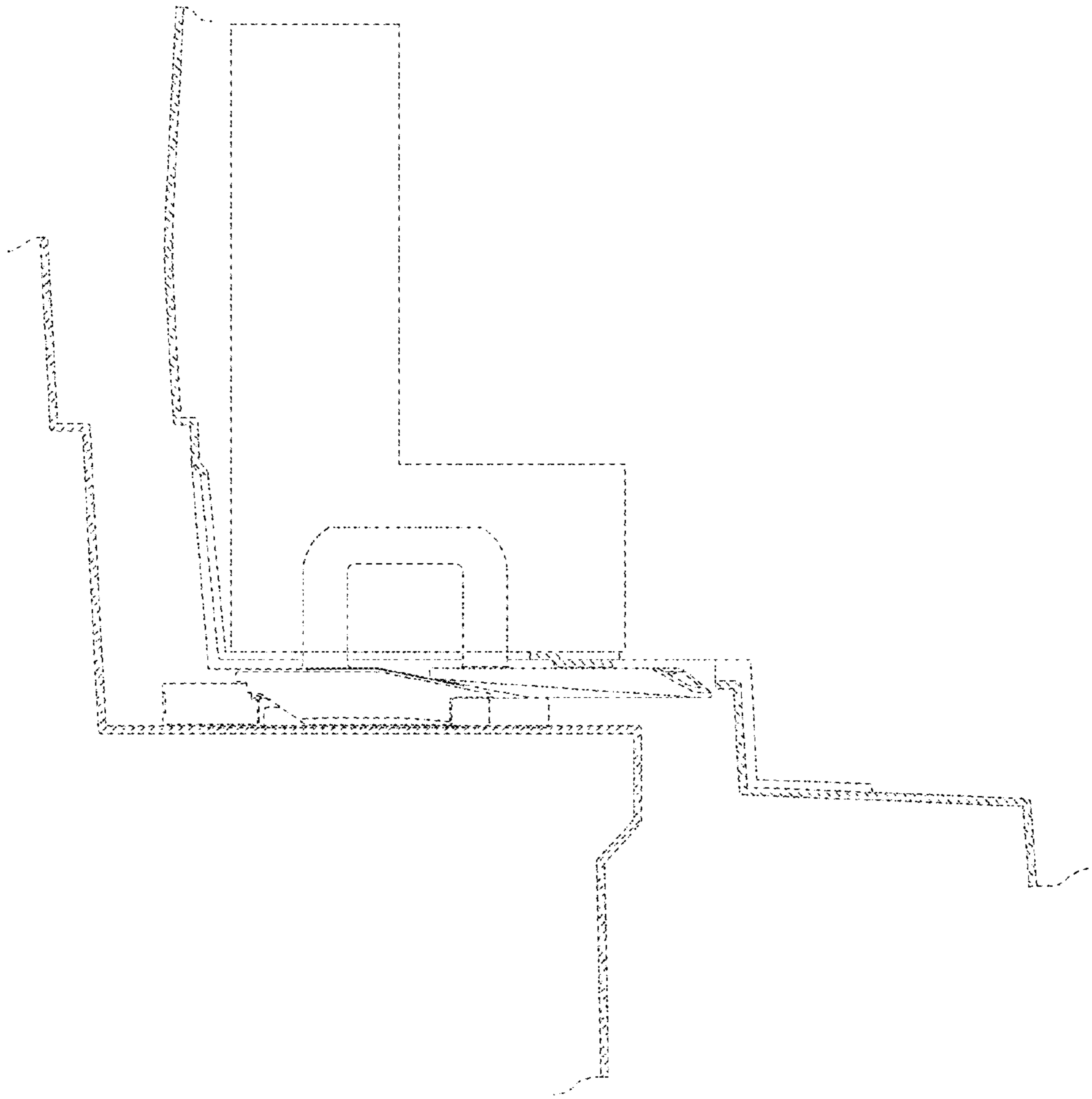


FIG. 6



UNITED STATES PATENT AND TRADEMARK OFFICE
CERTIFICATE OF CORRECTION

PATENT NO. : D689,758 S
APPLICATION NO. : 29/448693
DATED : September 17, 2013
INVENTOR(S) : Hiroyuki Mukaide

Page 1 of 1

It is certified that error appears in the above-identified patent and that said Letters Patent is hereby corrected as shown below:

Title Page, item (72) Inventor: change "Hiroyuki Mikaide" to -- Hiroyuki Mukaide --.

Title Page, item (73) Assignee: change "Aisen Seiki Kabushiki Kaisha" to -- Aisin Seiki Kabushiki Kaisha --.

Signed and Sealed this
Twenty-eighth Day of January, 2014



Michelle K. Lee
Deputy Director of the United States Patent and Trademark Office

UNITED STATES PATENT AND TRADEMARK OFFICE
CERTIFICATE OF CORRECTION

PATENT NO. : D689,758 S
APPLICATION NO. : 29/448693
DATED : September 17, 2013
INVENTOR(S) : Hiroyuki Mukaide

Page 1 of 1

It is certified that error appears in the above-identified patent and that said Letters Patent is hereby corrected as shown below:

Title Page, item (12), delete "Mikaide" and insert -- Mukaide --.

Title Page, item (72) Inventor: change "Hiroyuki Mikaide" to -- Hiroyuki Mukaide --.

Title Page, item (73) Assignee: change "Aisen Seiki Kabushiki Kaisha" to -- Aisin Seiki Kabushiki Kaisha --.

This certificate supersedes the Certificate of Correction issued January 28, 2014.

Signed and Sealed this
Twenty-fifth Day of February, 2014



Michelle K. Lee
Deputy Director of the United States Patent and Trademark Office