



US00D689757S

(12) **United States Design Patent**
Mukaide

(10) **Patent No.:** **US D689,757 S**

(45) **Date of Patent:** **** Sep. 17, 2013**

(54) **WEDGE FOR DOOR LOCK OF
AUTOMOBILE**

(75) Inventor: **Hiroyuki Mukaide**, Nagoya (JP)

(73) Assignee: **Aisin Seiki Kabushiki Kaisha**,
Kariya-Shi, Aichi-Ken (JP)

(**) Term: **14 Years**

(21) Appl. No.: **29/422,710**

(22) Filed: **May 23, 2012**

(30) **Foreign Application Priority Data**

Nov. 25, 2011 (JP) 2011-027225

(51) **LOC (9) Cl.** **08-07**

(52) **U.S. Cl.**
USPC **D8/343; D8/400**

(58) **Field of Classification Search**
USPC D8/330, 339, 343, 344, 345, 400-402;
16/86.1, 86, 86.2, 82, 86 B, 86 R; 292/151.5,
292/340, 292, 342, 343, DIG. 15
See application file for complete search history.

(56) **References Cited**

U.S. PATENT DOCUMENTS

D134,108 S * 10/1942 Adler D8/402
3,009,172 A * 11/1961 Eidam 5/632
4,705,309 A * 11/1987 Sawchuk 292/342
5,011,203 A * 4/1991 Tackett 292/343
D331,696 S * 12/1992 Graham D8/402

D452,404 S * 12/2001 Cameron D6/601
6,874,198 B2 * 4/2005 Renaud 16/83
7,121,616 B2 * 10/2006 Cooley 296/207
D588,905 S * 3/2009 Meeks et al. D8/400
7,506,905 B1 * 3/2009 George 292/343
D603,694 S * 11/2009 Bushey D8/402
8,042,846 B2 * 10/2011 Ruggerio 292/343
8,322,762 B2 * 12/2012 Watson 292/343

* cited by examiner

Primary Examiner — Prabhakar Deshmukh

(74) *Attorney, Agent, or Firm* — Buchanan Ingersoll &
Rooney PC

(57) **CLAIM**

The ornamental design for a wedge for door lock of automo-
bile, as shown and described.

DESCRIPTION

FIG. 1 is a front perspective view of a wedge for door lock of automobile showing my new design;
FIG. 2 is a front view thereof;
FIG. 3 is a rear view thereof;
FIG. 4 is a top plan view thereof, the bottom plan view being a mirror image of FIG. 4;
FIG. 5 is a right side view thereof;
FIG. 6 is a left side view thereof; and,
FIG. 7 is a referential view showing the article in use.
The features shown in broken lines in the drawings depict environmental subject matter only and form no part of the claimed design.

1 Claim, 6 Drawing Sheets

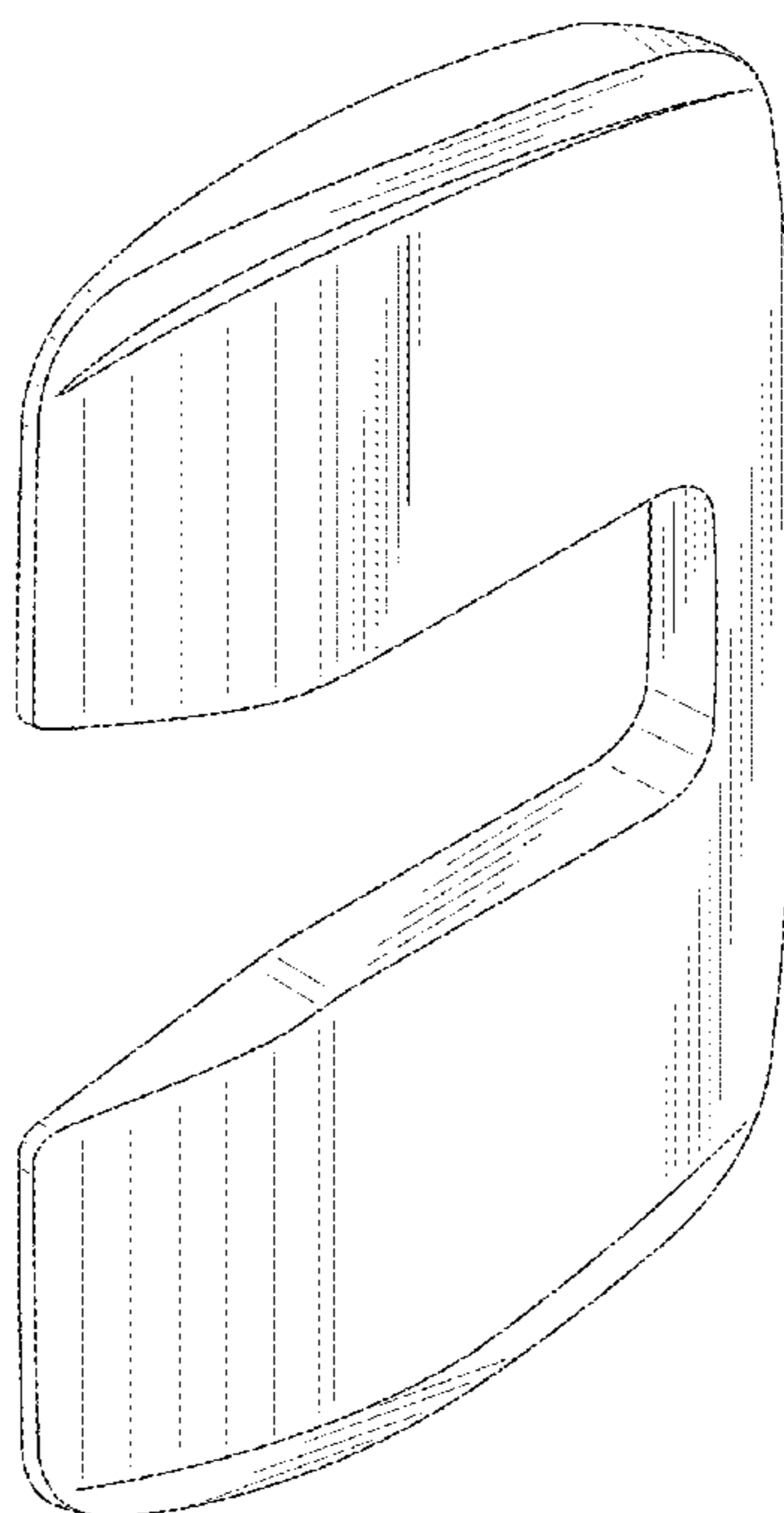


FIG. 1

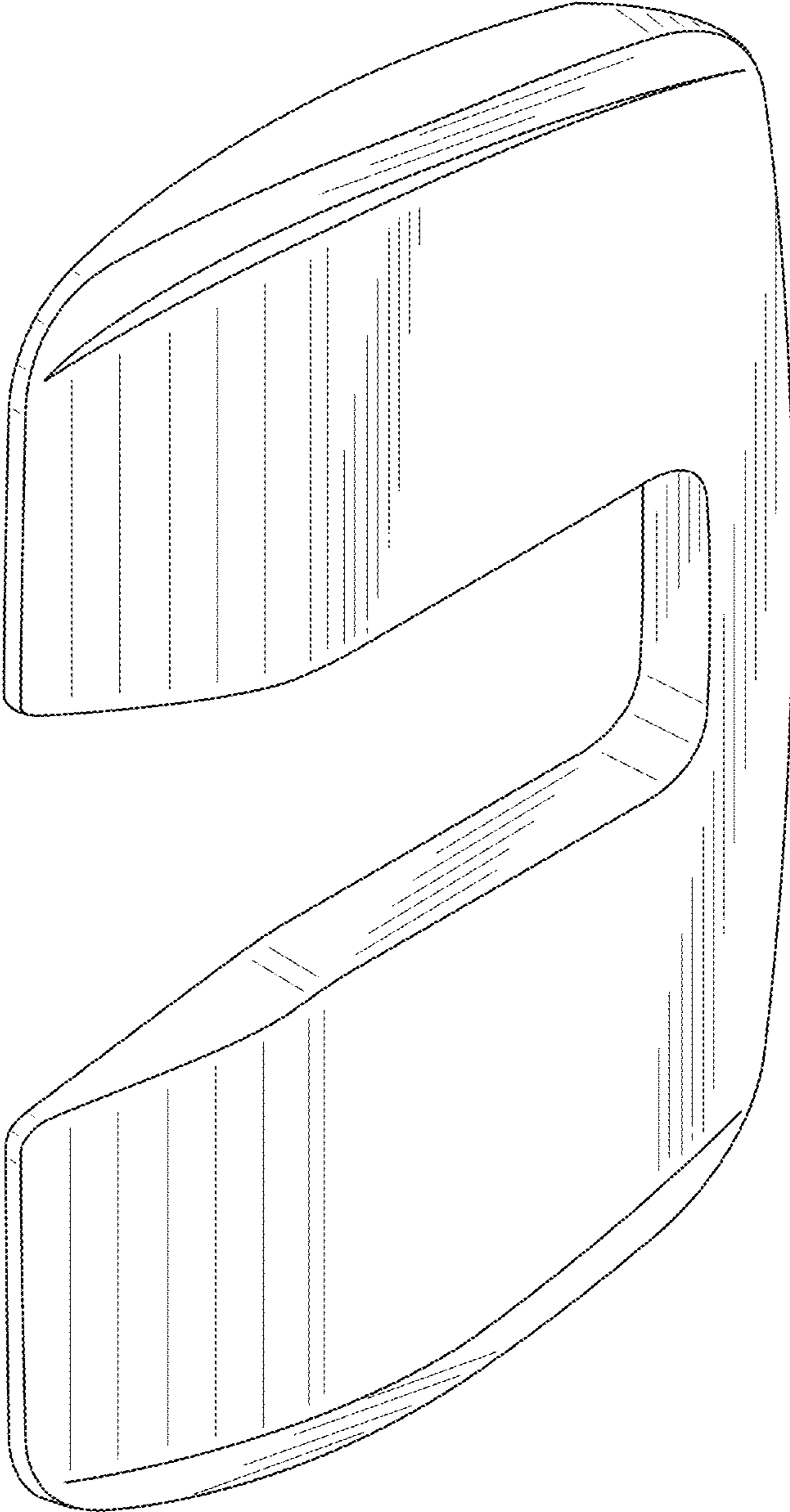


FIG. 2

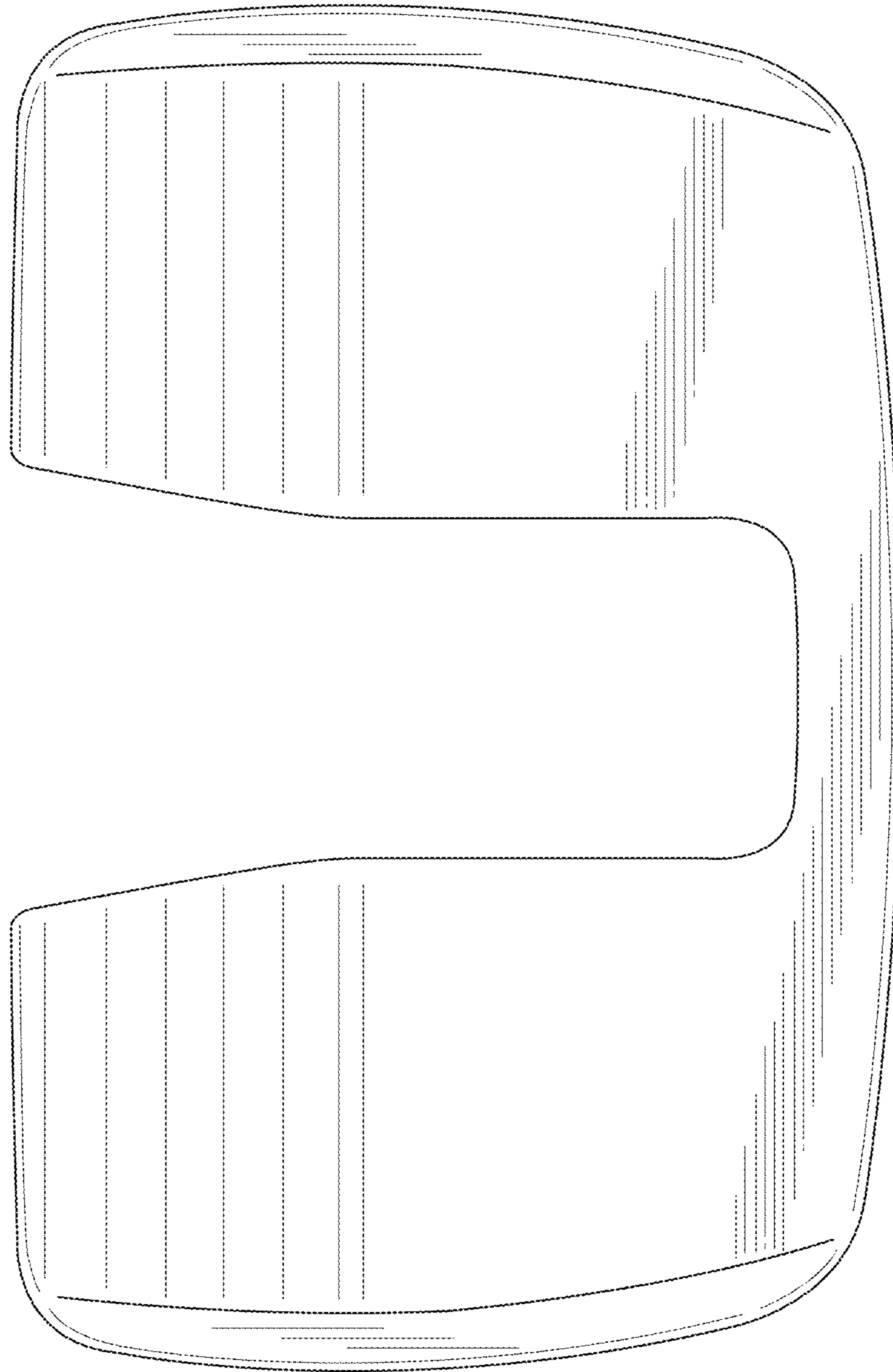


FIG. 3

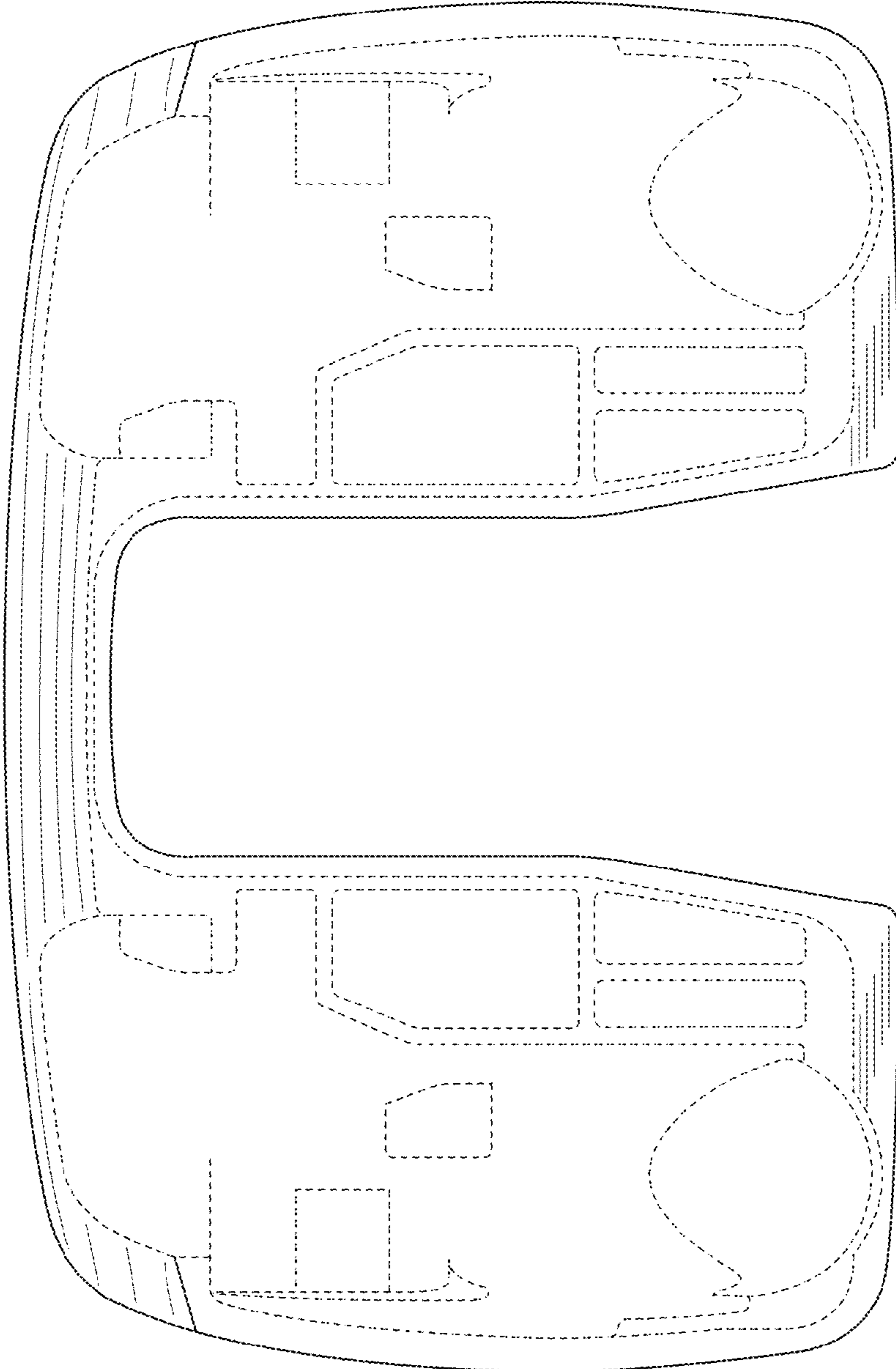


FIG. 4

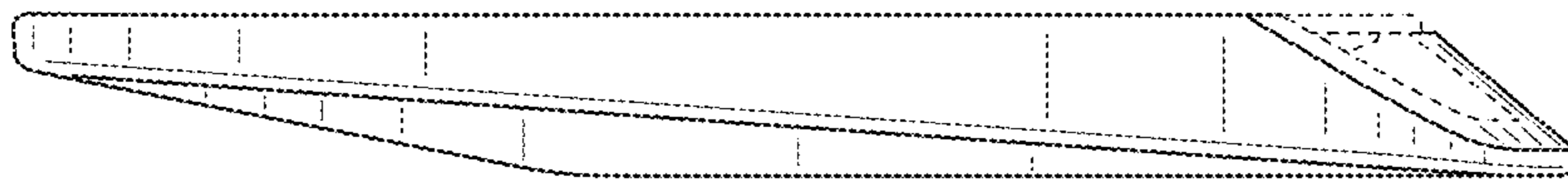


FIG. 5

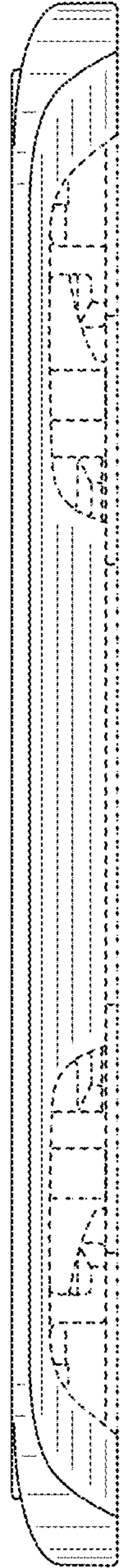


FIG. 6



FIG. 7

