



US00D689756S

(12) **United States Design Patent**  
**Mukaide**

(10) **Patent No.:** **US D689,756 S**

(45) **Date of Patent:** **\*\* Sep. 17, 2013**

(54) **DOOR LOCK STRIKER FOR AUTOMOBILE**

(75) Inventor: **Hiroyuki Mukaide**, Nagoya (JP)

(73) Assignee: **Aisin Seiki Kabushiki Kaisha**,  
Kariya-Shi, Aichi-Ken (JP)

(\*\*) Term: **14 Years**

(21) Appl. No.: **29/422,713**

(22) Filed: **May 23, 2012**

(30) **Foreign Application Priority Data**

Nov. 25, 2011 (JP) ..... 2011-027222

(51) **LOC (9) Cl.** ..... **08-07**

(52) **U.S. Cl.**  
USPC ..... **D8/339; D8/330; D8/345**

(58) **Field of Classification Search**  
USPC ..... D8/330, 343, 345, 339, 341, 349,  
D8/400; 70/57, 57.1, 129, 141, 266, 431;  
292/340, 341.11, 341.13, 341.18; 16/86 R  
See application file for complete search history.

(56) **References Cited**

**U.S. PATENT DOCUMENTS**

D351,781 S \* 10/1994 DeWitt ..... D8/344  
5,501,495 A \* 3/1996 Claucherty ..... 292/340  
D419,425 S \* 1/2000 Clark et al. .... D8/343  
D442,907 S \* 5/2001 Santelman ..... D12/223  
6,273,480 B1 \* 8/2001 Burton ..... 292/340

D526,187 S \* 8/2006 Farrell et al. .... D8/343  
7,275,774 B2 \* 10/2007 Oberheide ..... 292/341.16  
7,469,945 B2 \* 12/2008 Dennis ..... 292/340  
7,730,580 B2 \* 6/2010 Mokashi et al. .... 16/86 R  
8,186,742 B2 \* 5/2012 Narayana et al. .... 296/146.6  
8,328,270 B2 \* 12/2012 Kitayama et al. .... 296/155  
8,376,425 B2 \* 2/2013 Paskonis ..... 292/341.15

\* cited by examiner

*Primary Examiner* — Prabhakar Deshmukh

(74) *Attorney, Agent, or Firm* — Buchanan Ingersoll & Rooney PC

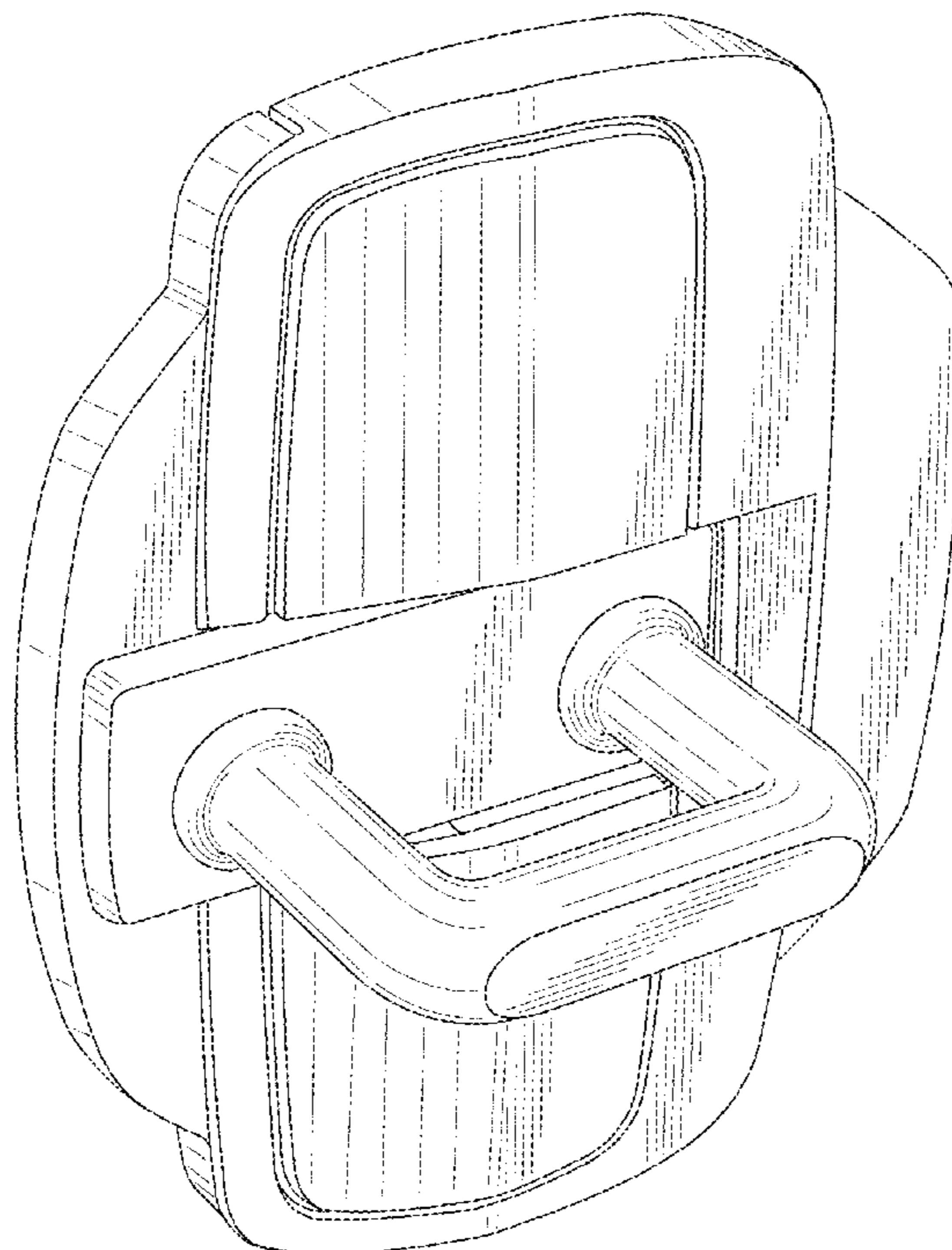
(57) **CLAIM**

The ornamental design for a door lock striker for automobile, as shown and described.

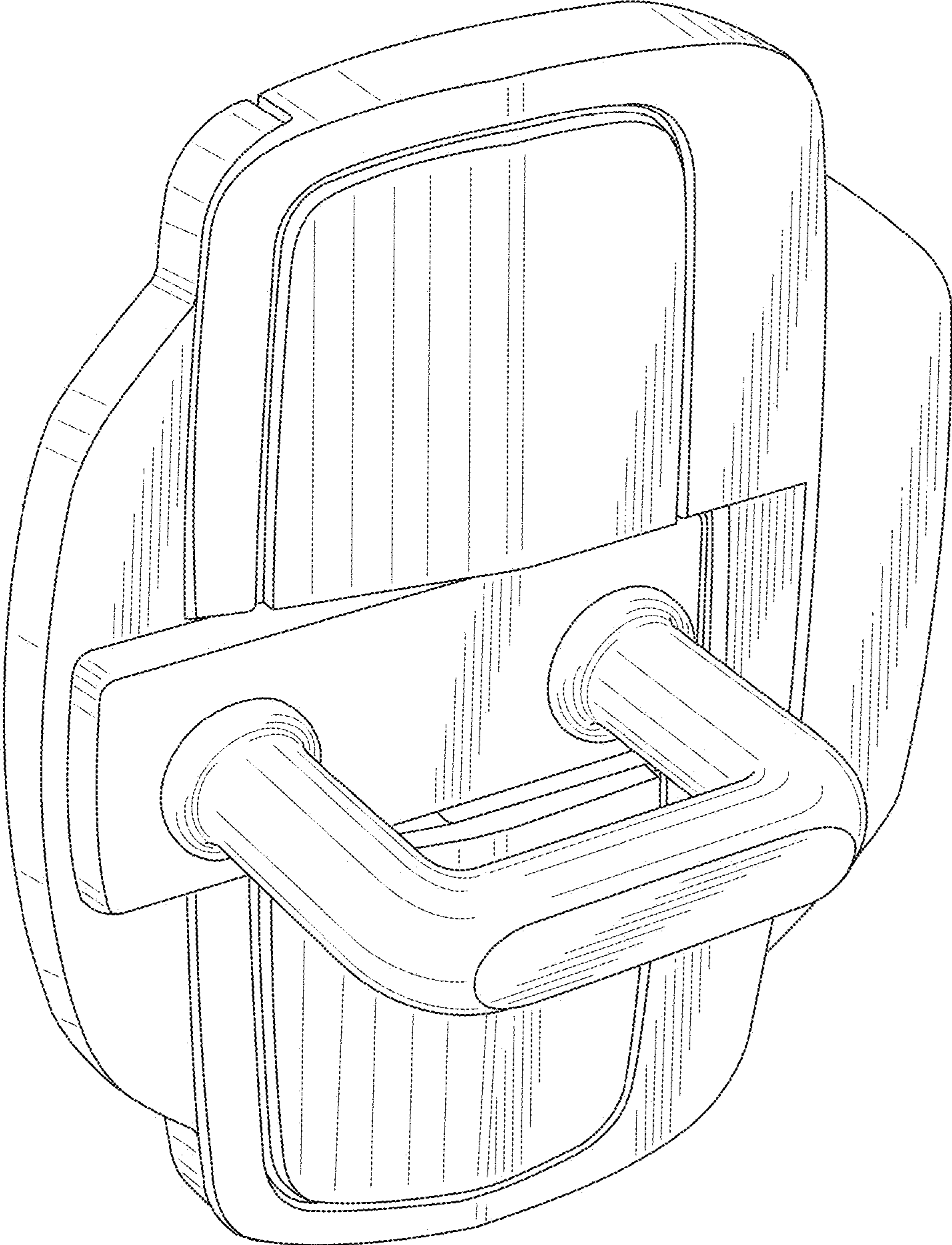
**DESCRIPTION**

FIG. 1 is a front perspective view of a door lock striker for automobile showing my new design;  
FIG. 2 is a rear perspective view thereof;  
FIG. 3 is a front view thereof;  
FIG. 4 is a rear view thereof;  
FIG. 5 is a top plan view thereof, the bottom plan view being a mirror image of FIG. 5;  
FIG. 6 is a right side view thereof;  
FIG. 7 is a left side view thereof;  
FIG. 8 is a front perspective view showing the movable wedge in a position moved in an open direction; and,  
FIG. 9 is a referential view showing the article in use.  
The features shown in broken lines in the drawings depict environmental subject matter only and form no part of the claimed design.

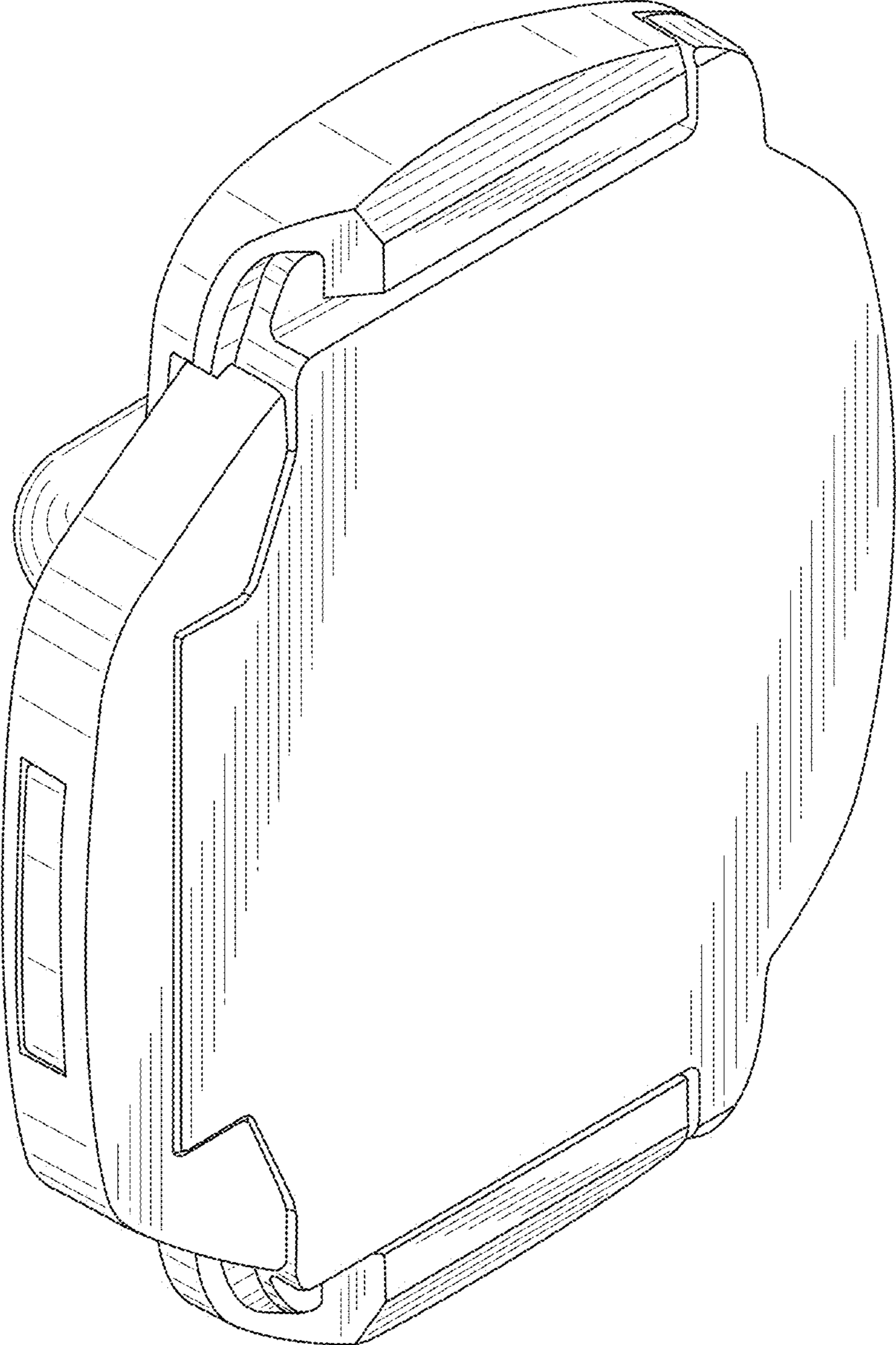
**1 Claim, 9 Drawing Sheets**



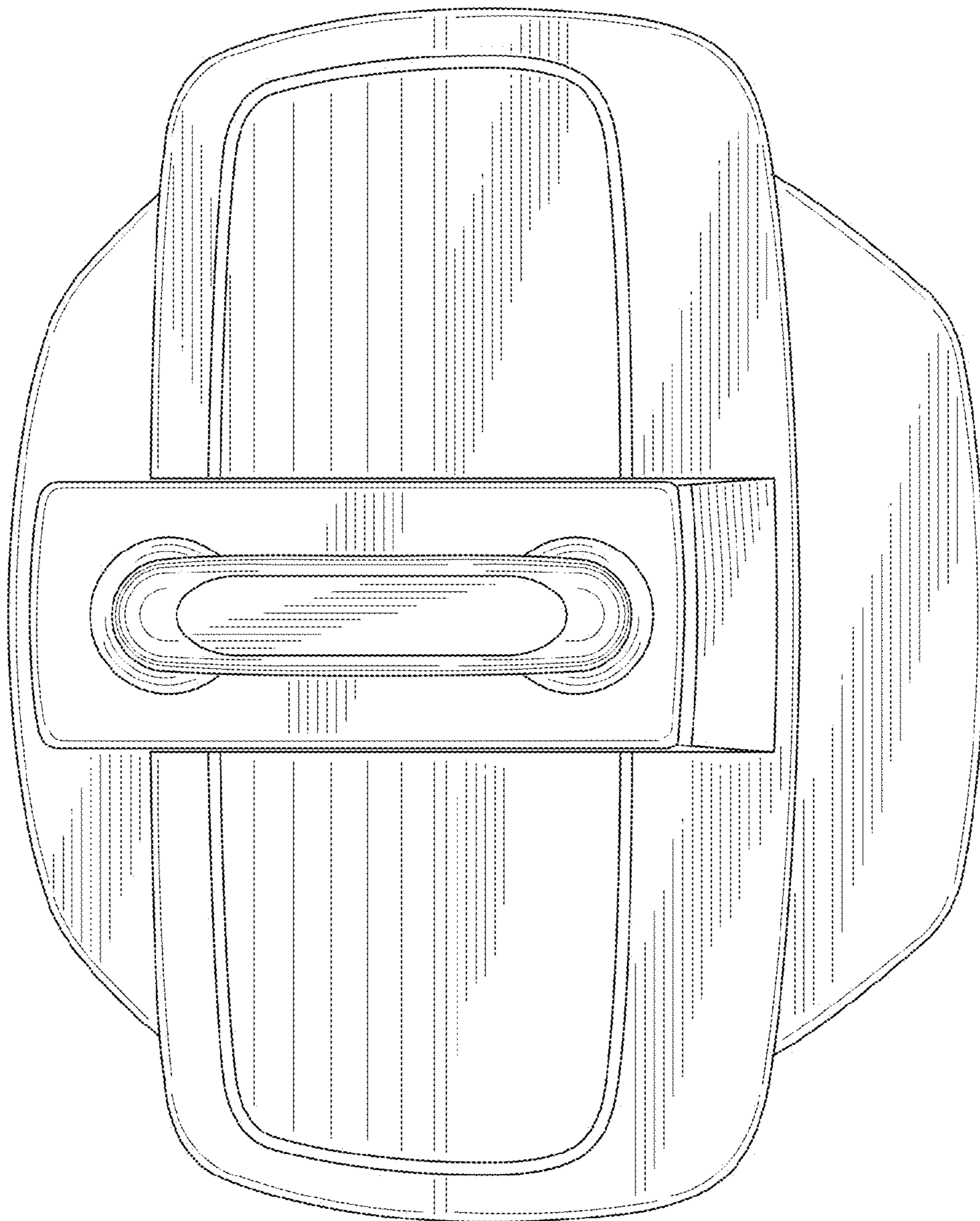
**FIG. 1**



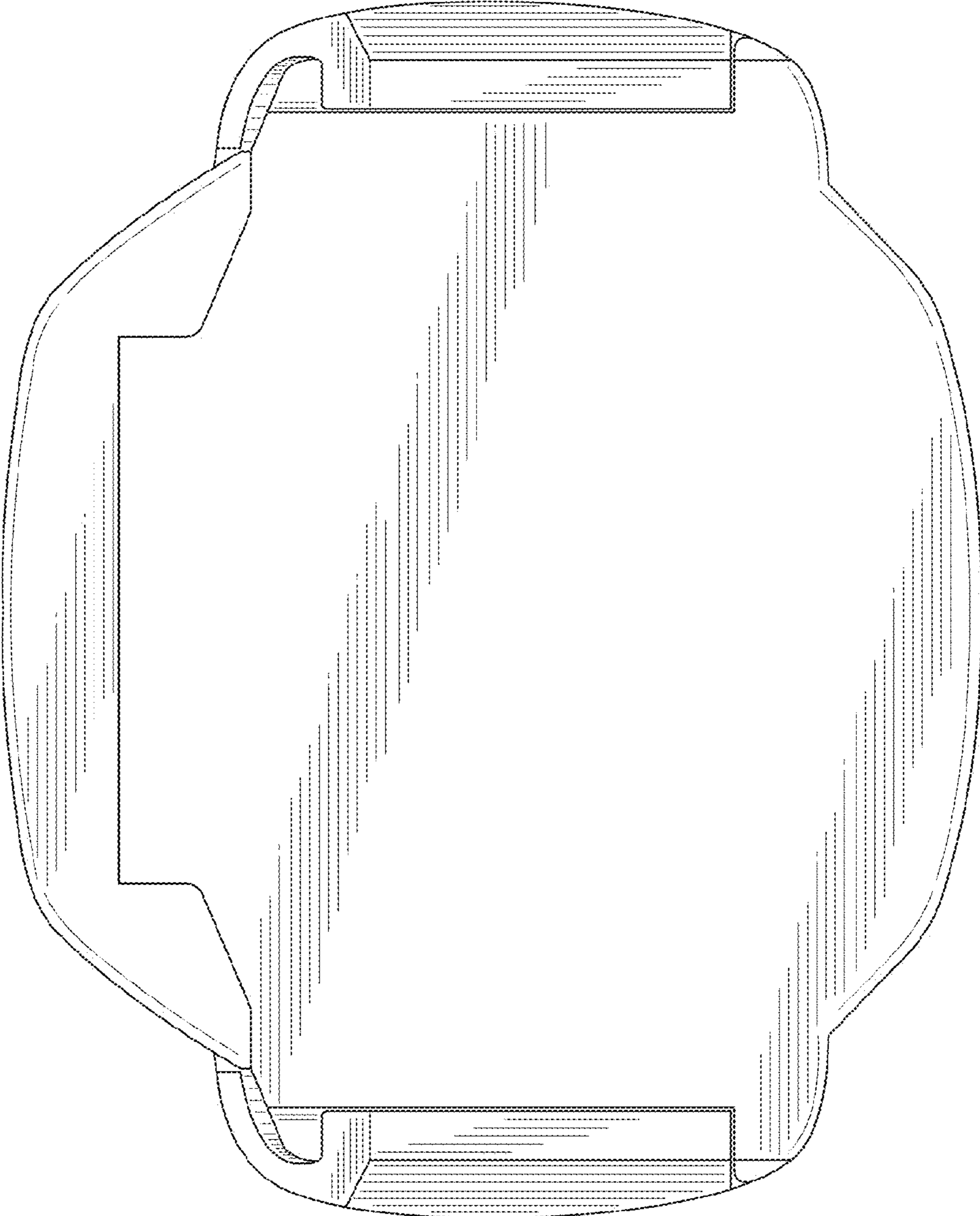
**FIG. 2**



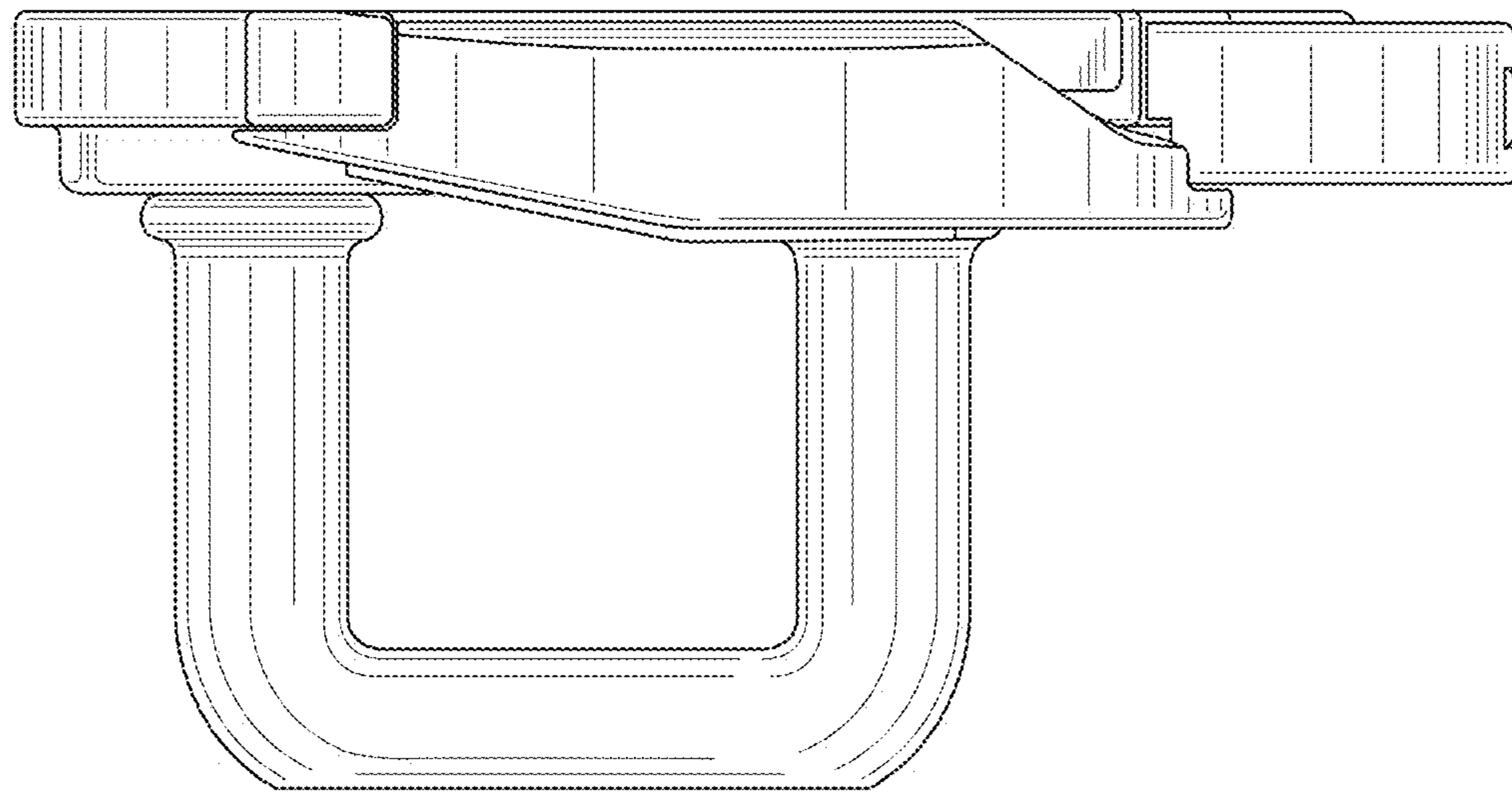
*FIG. 3*



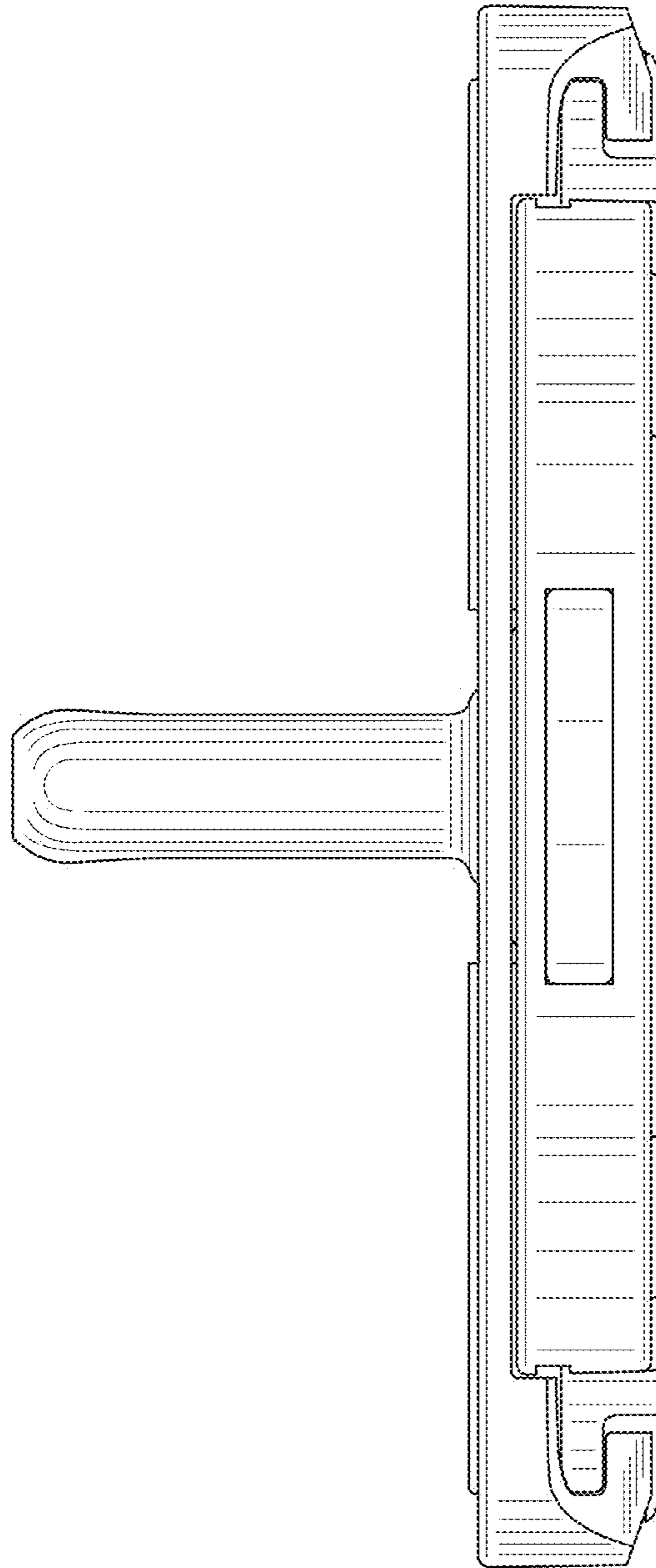
**FIG. 4**



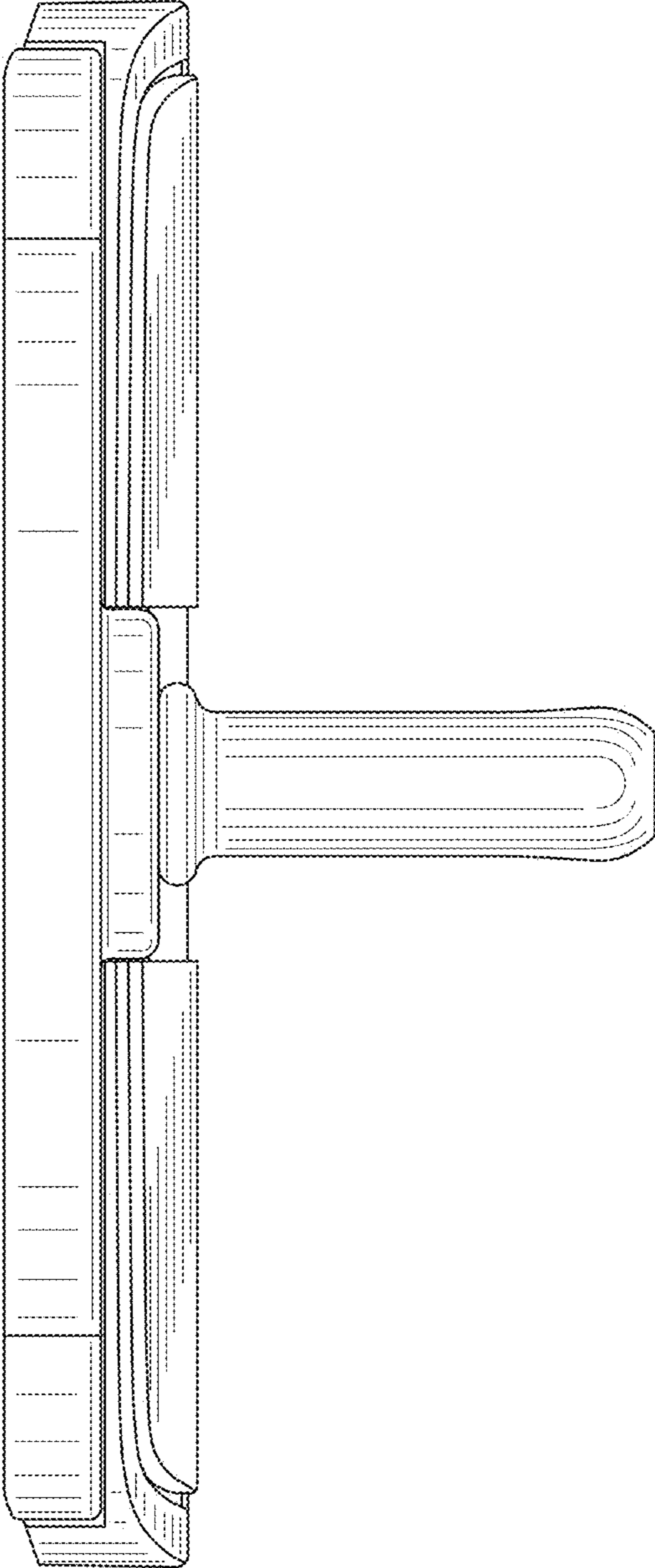
*FIG. 5*



*FIG. 6*

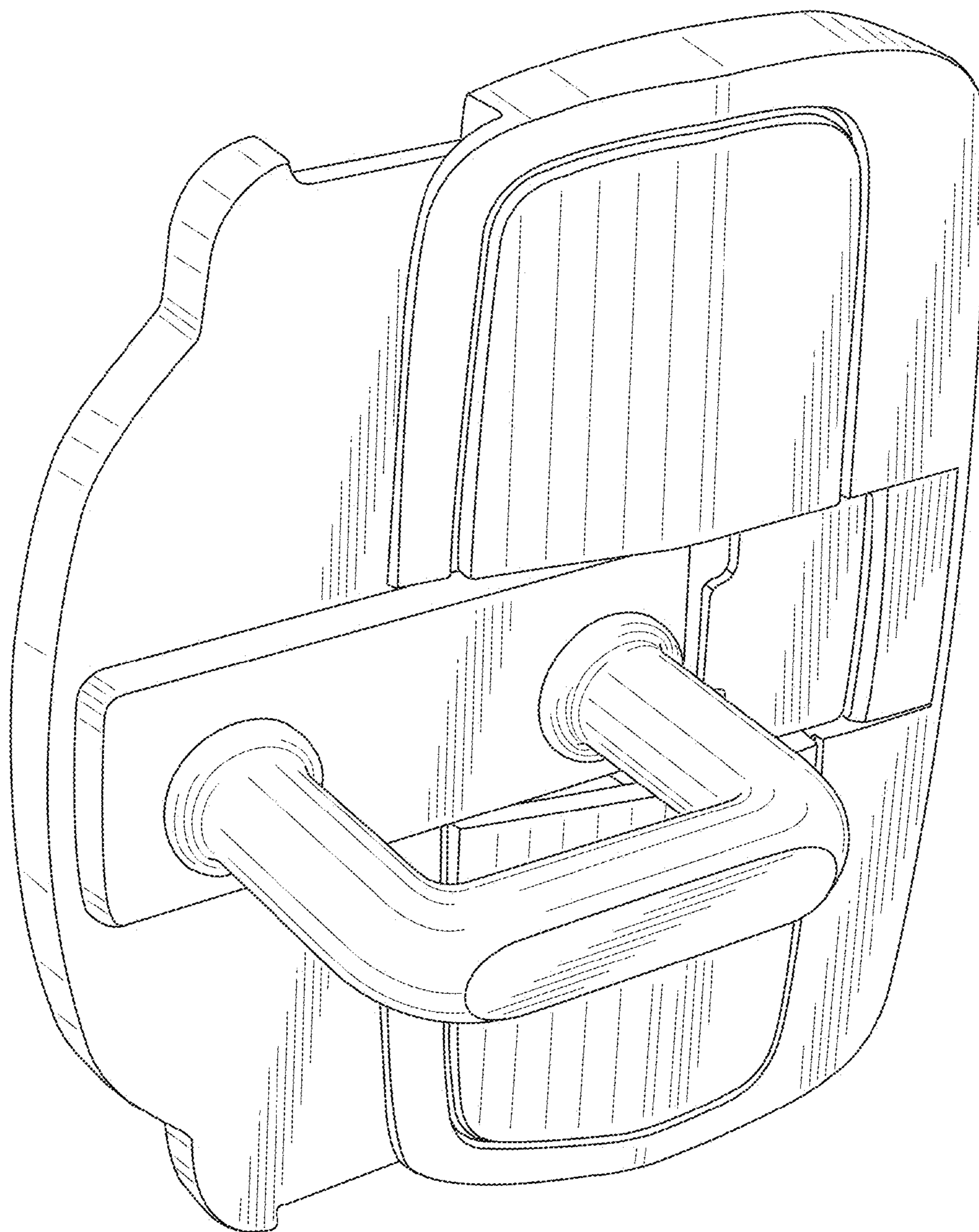


*FIG. 7*





**FIG. 8**



**FIG. 9**

