



US00D689751S

(12) **United States Design Patent**  
**Kalinowski**

(10) **Patent No.:** **US D689,751 S**

(45) **Date of Patent:** **\*\* Sep. 17, 2013**

(54) **TORQUE INCREASING WRENCH ATTACHMENT**

(71) Applicant: **Ted A. Kalinowski**, Grand Rapids, MI (US)

(72) Inventor: **Ted A. Kalinowski**, Grand Rapids, MI (US)

(\*\*) Term: **14 Years**

(21) Appl. No.: **29/445,065**

(22) Filed: **Feb. 7, 2013**

(51) **LOC (9) Cl.** ..... **08-05**

(52) **U.S. Cl.**  
USPC ..... **D8/24**

(58) **Field of Classification Search**  
USPC ..... D8/17, 21-29, DIG. 7; 81/177.2, 81/177.1, 177.85, 166; 7/100, 138, 168  
See application file for complete search history.

(56) **References Cited**

U.S. PATENT DOCUMENTS

2,842,020	A *	7/1958	Tarquinio	81/177.2
3,296,899	A *	1/1967	Portanova	29/268
3,353,428	A *	11/1967	Herr	81/436
3,412,635	A *	11/1968	Chmielewski	81/176.15
3,424,212	A *	1/1969	Kemper	81/436
4,060,115	A	11/1977	Bocanegra Marquina	
4,170,909	A	10/1979	Wagner	
4,308,770	A	1/1982	MacDonald	
4,790,392	A *	12/1988	Clements	175/20
4,806,170	A *	2/1989	Doty	134/9
5,671,643	A *	9/1997	Henkhaus	81/57.39

6,662,692	B2 *	12/2003	Anderson et al.	81/462
7,036,402	B1 *	5/2006	Marks et al.	81/177.2
7,155,998	B1	1/2007	Shyu	
D634,595	S	3/2011	Tyson	
2005/0087045	A1 *	4/2005	Gryciuk et al.	81/436
2011/0030146	A1	2/2011	Wu	

\* cited by examiner

*Primary Examiner* — Randall Gholson

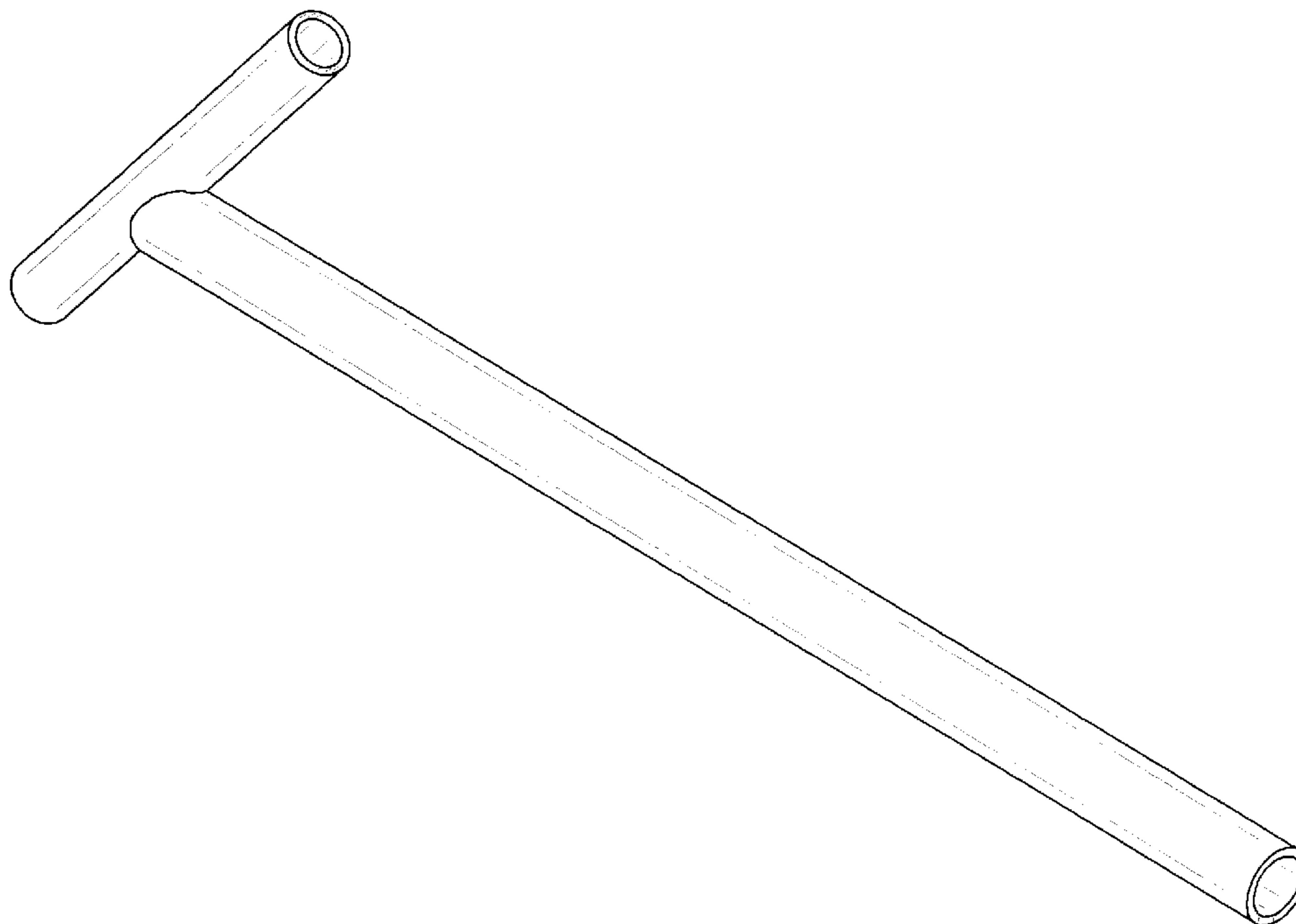
(57) **CLAIM**

The ornamental design for a torque increasing wrench attachment, as shown and described.

**DESCRIPTION**

FIG. 1 is a front elevated view of a torque increasing wrench attachment showing my new design;  
 FIG. 2 is a left side elevated view of the torque increasing wrench attachment;  
 FIG. 3 is a right side elevated view of the torque increasing wrench attachment;  
 FIG. 4 is a top plan view of the torque increasing wrench attachment;  
 FIG. 5 is a bottom plan view of the torque increasing wrench attachment;  
 FIG. 6 is a front perspective view of the torque increasing wrench attachment; and,  
 FIG. 7 is a front cross-sectional view of the torque increasing wrench attachment to show a depth of the openings therein.

**1 Claim, 4 Drawing Sheets**



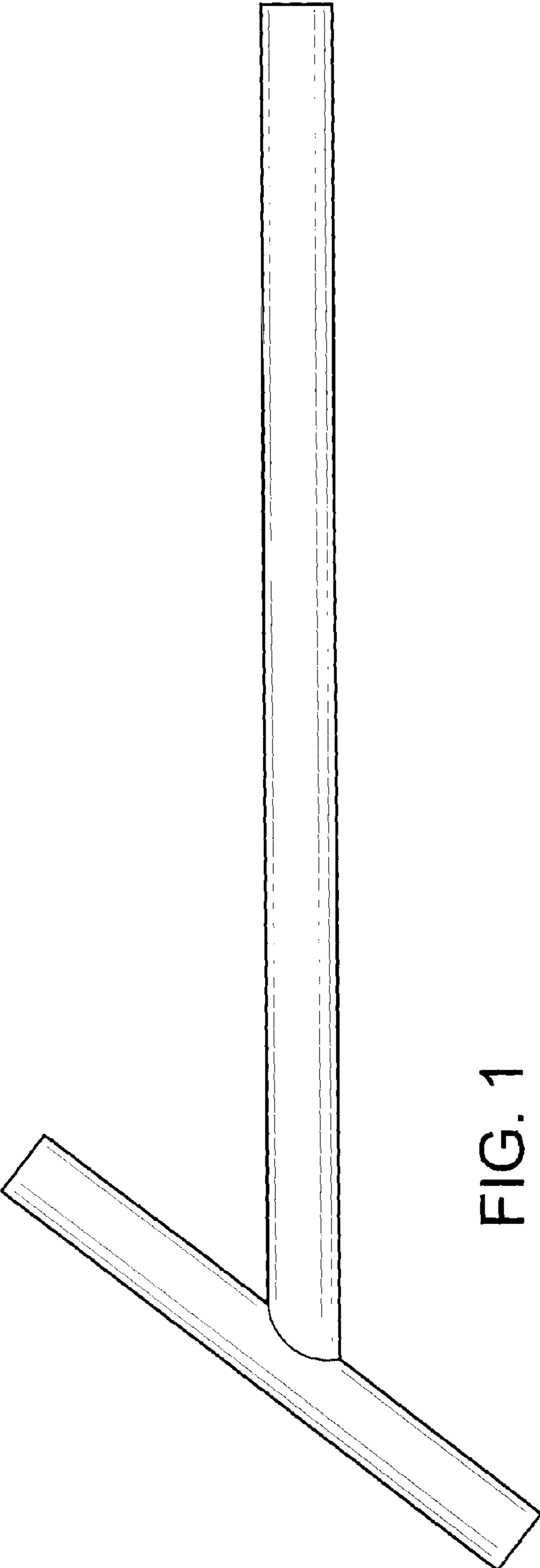


FIG. 1



FIG. 2



FIG. 3

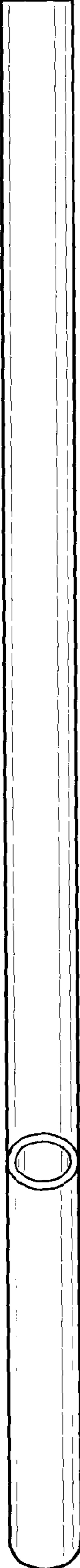


FIG. 4

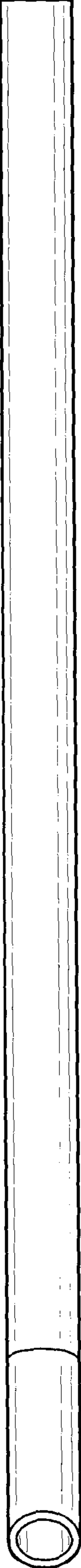


FIG. 5

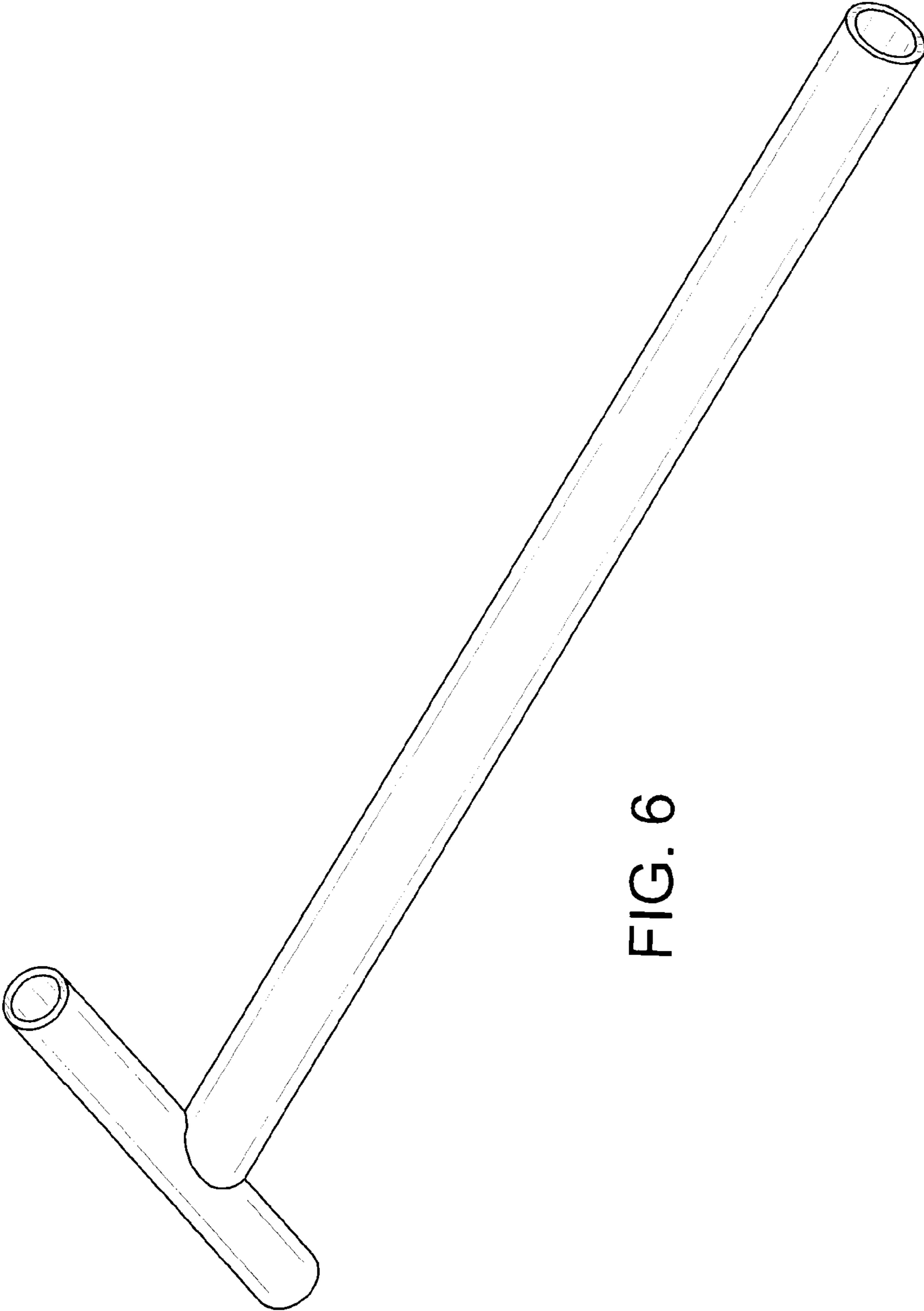


FIG. 6

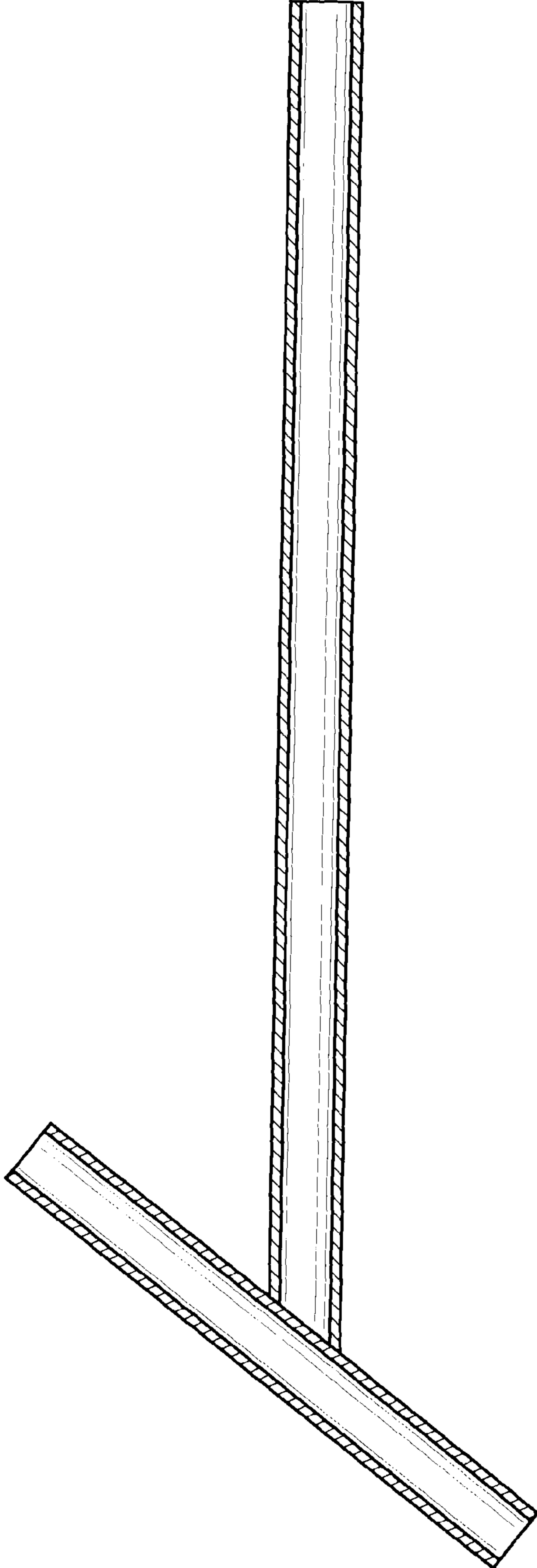


FIG. 7