



US00D689750S

(12) **United States Design Patent**
Wang

(10) **Patent No.:** **US D689,750 S**

(45) **Date of Patent:** **** Sep. 17, 2013**

- (54) **CUTTING BOARDS AND CASING**
- (71) Applicant: **Xiaoyong Wang**, TaiZhou (CN)
- (72) Inventor: **Xiaoyong Wang**, TaiZhou (CN)
- (**) Term: **14 Years**
- (21) Appl. No.: **29/444,760**
- (22) Filed: **Feb. 4, 2013**
- (51) **LOC (9) Cl.** **07-04**
- (52) **U.S. Cl.**
USPC **D7/698; D7/699**
- (58) **Field of Classification Search**
USPC D7/354, 357-360, 368, 388, 392.1,
D7/396.1, 409, 412, 505, 549, 550.1, 552.1-552.2,
D7/553.1, 553.5, 553.8, 554.3-554.4, 555,
D7/586, 637, 673, 698-699; 4/514; 83/167,
83/762-764; 99/324, 357, 446-450;
269/13-16, 87.2, 289 R, 302.1, 575
See application file for complete search history.

- D315,275 S * 3/1991 Aziz et al. D7/673
- 5,386,978 A * 2/1995 Ladwig 269/289 R
- D362,374 S * 9/1995 Roach D7/673
- 7,721,362 B2 * 5/2010 Martin et al. 4/514
- D616,700 S * 6/2010 Pourounidis et al. D7/388
- D623,029 S * 9/2010 Russell et al. D7/698
- D630,478 S * 1/2011 Bell D7/698
- D665,635 S * 8/2012 Evans D7/698

* cited by examiner

Primary Examiner — Ricky Pham

(74) *Attorney, Agent, or Firm* — Michael D. Eisenberg;
Jeanette Meng Nakagawa

(57) **CLAIM**

The ornamental design for cutting boards and casing, as shown and described.

DESCRIPTION

FIG. 1 is a perspective view of cutting boards and casing showing my new design;
 FIG. 2 is a top view of the cutting boards and casing;
 FIG. 3 is a bottom view of the cutting boards and casing;
 FIG. 4 is a left side view of the cutting boards and casing;
 FIG. 5 is a front view of the cutting boards and casing;
 FIG. 6 is a back view of the cutting boards and casing;
 FIG. 7 is a right side view of the cutting boards and casing;
 and,
 FIG. 8 is a perspective view of the cutting boards and casing, showing the removable cutting boards being re-inserted back into the casing.

1 Claim, 4 Drawing Sheets

(56) **References Cited**

U.S. PATENT DOCUMENTS

- 2,398,192 A * 4/1946 Scheminger, Jr. 83/762
- 4,085,642 A * 4/1978 Birmingham 83/764
- 4,133,238 A * 1/1979 Jacobs 83/762
- D255,634 S * 7/1980 Zuck D7/673
- 4,964,323 A * 10/1990 Fortney 83/167

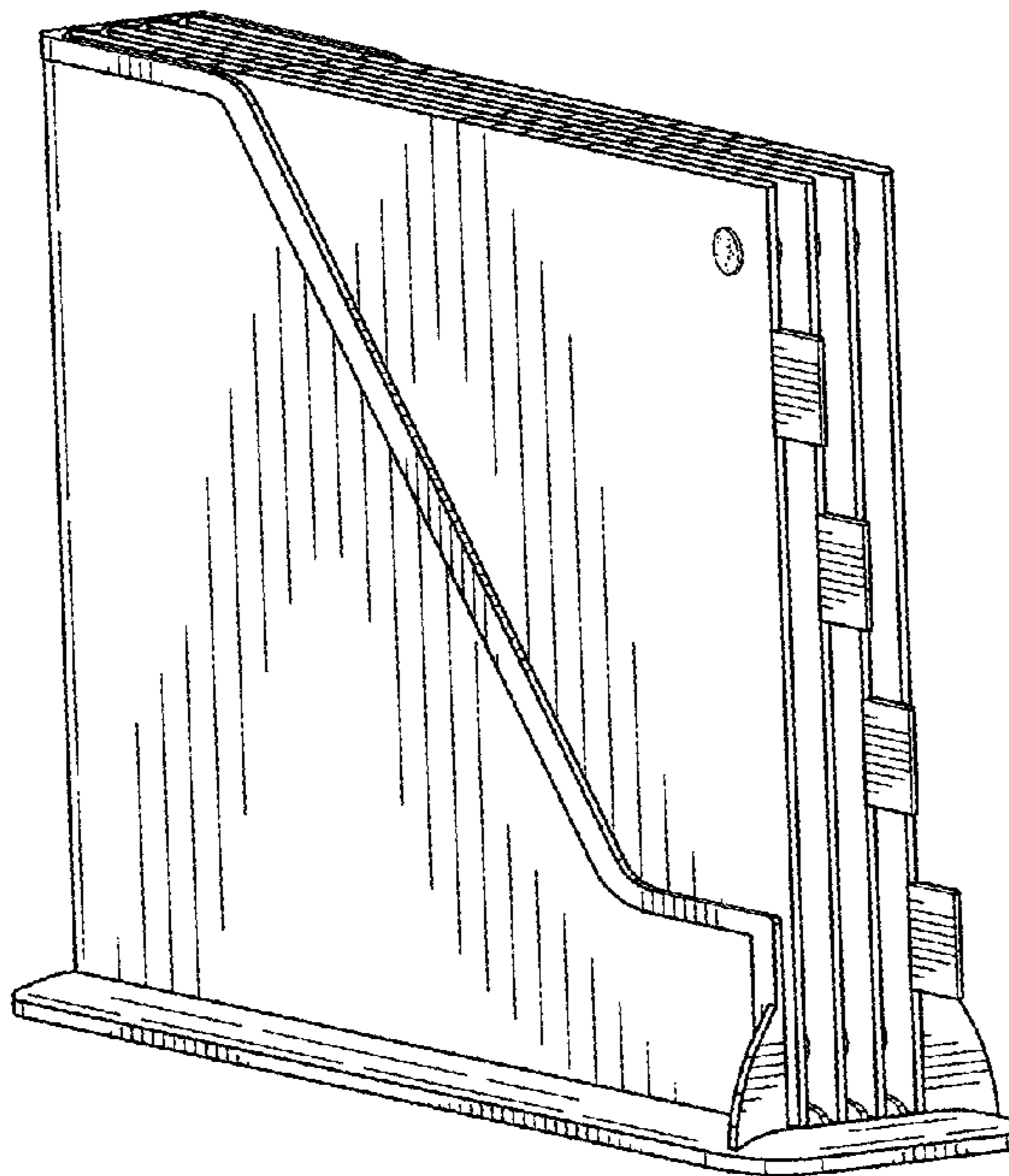


FIG. 1

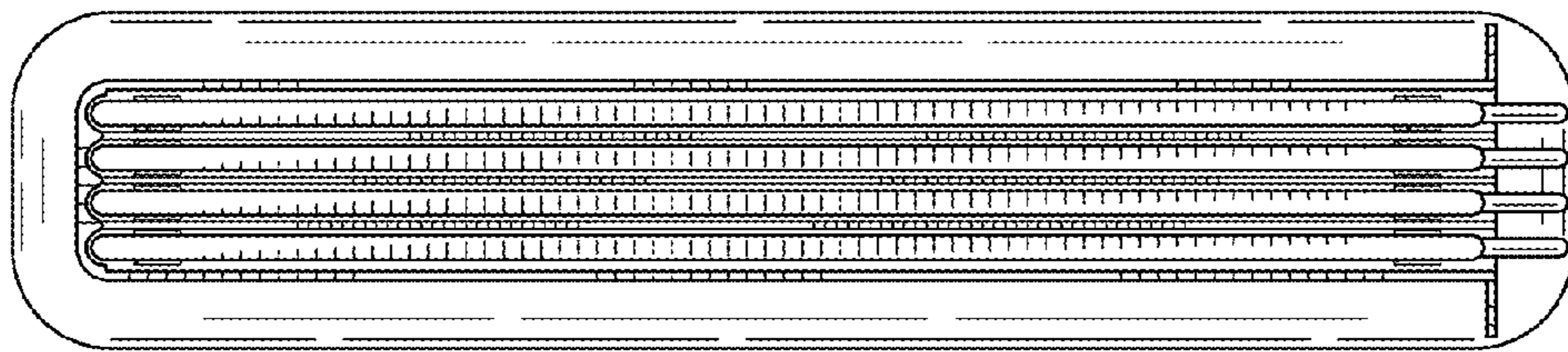
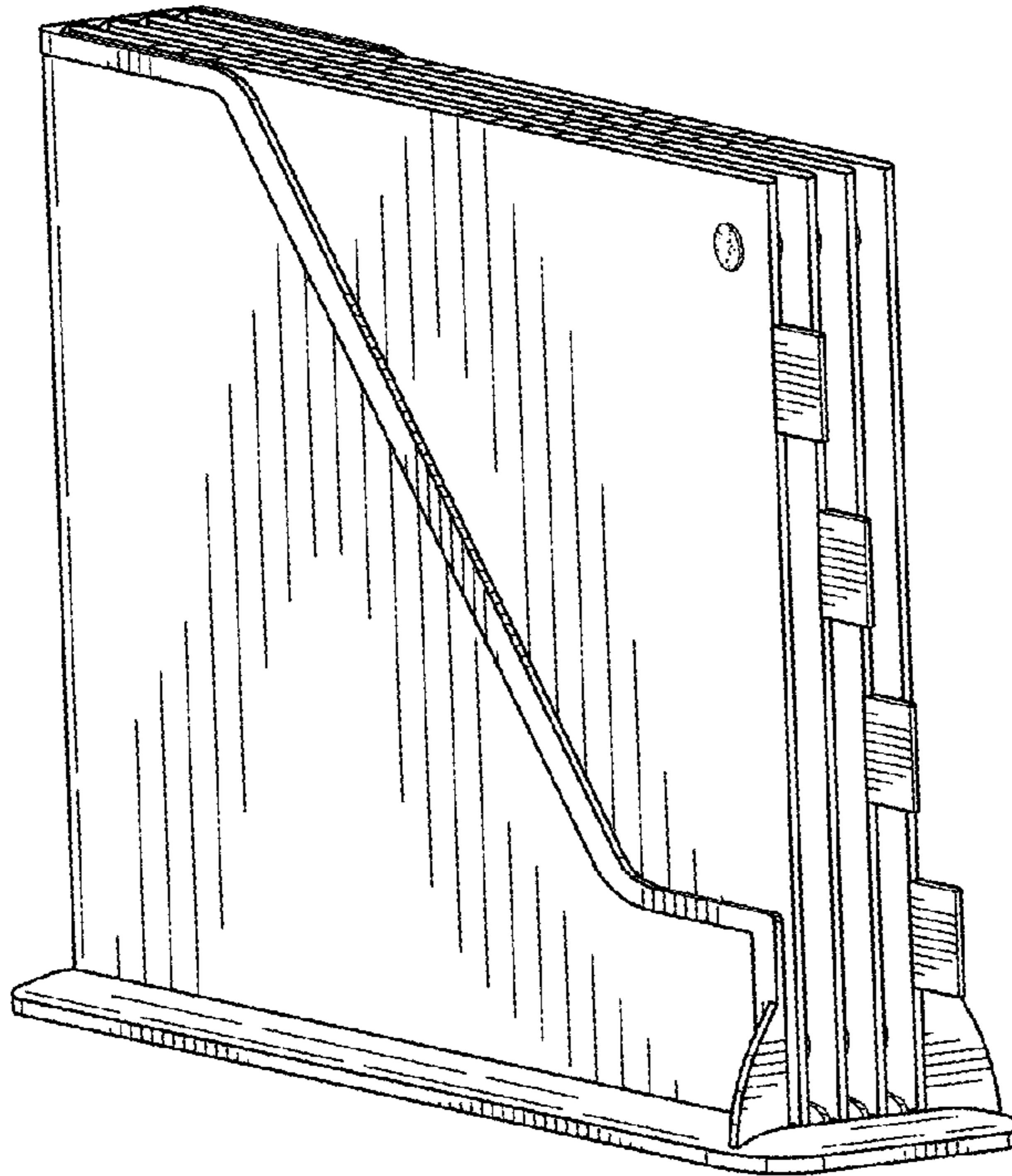


FIG. 2

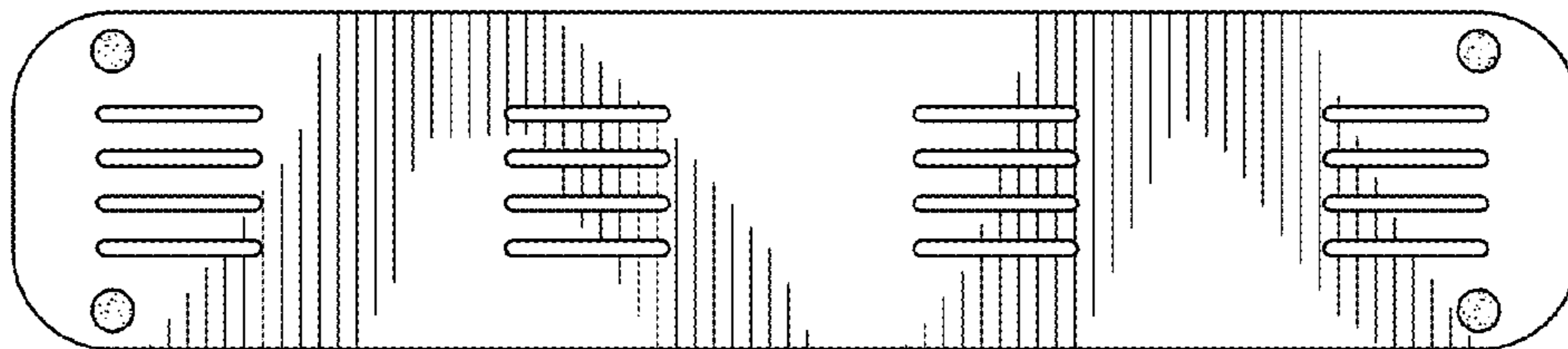


FIG. 3

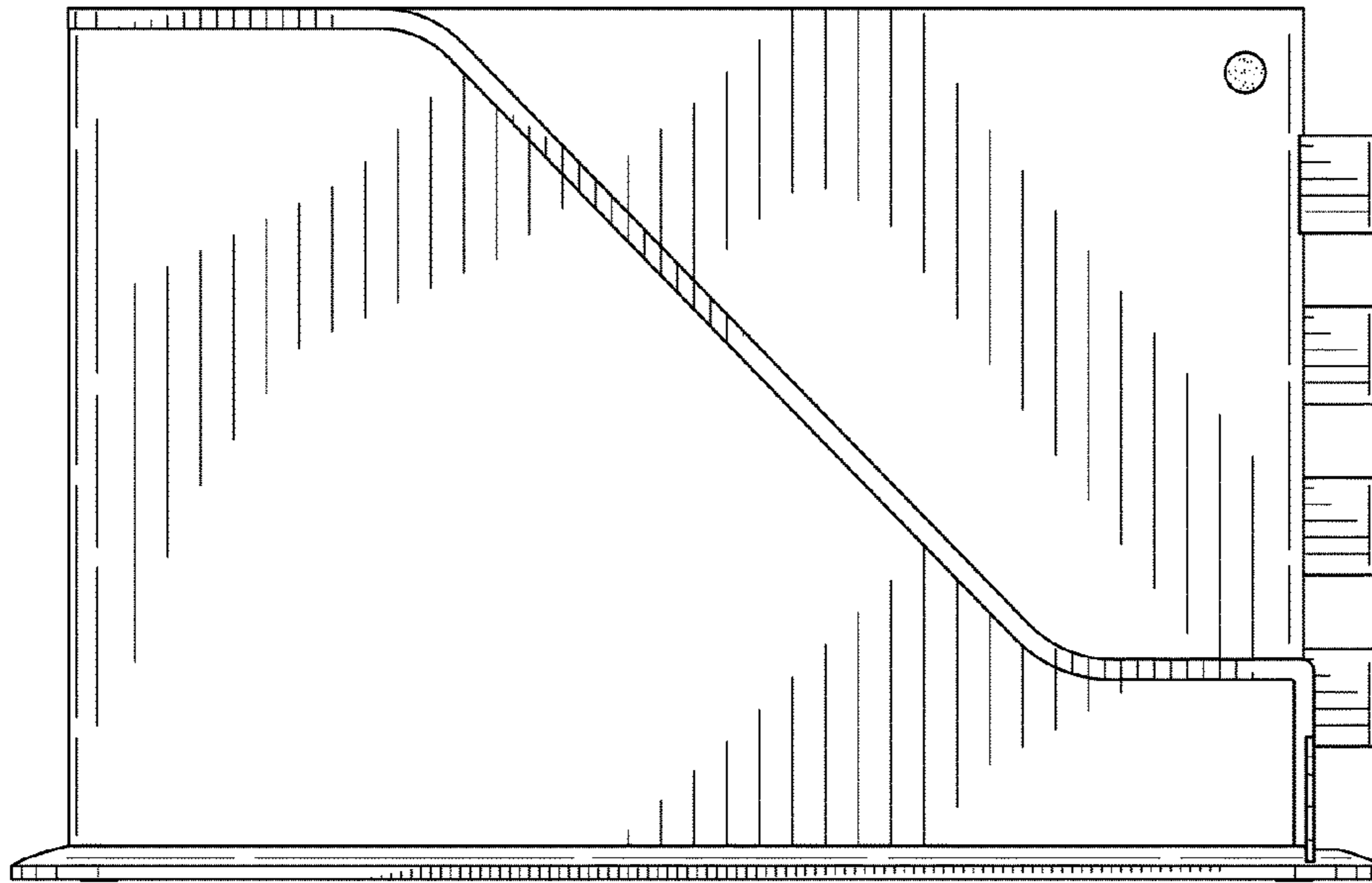


FIG. 4

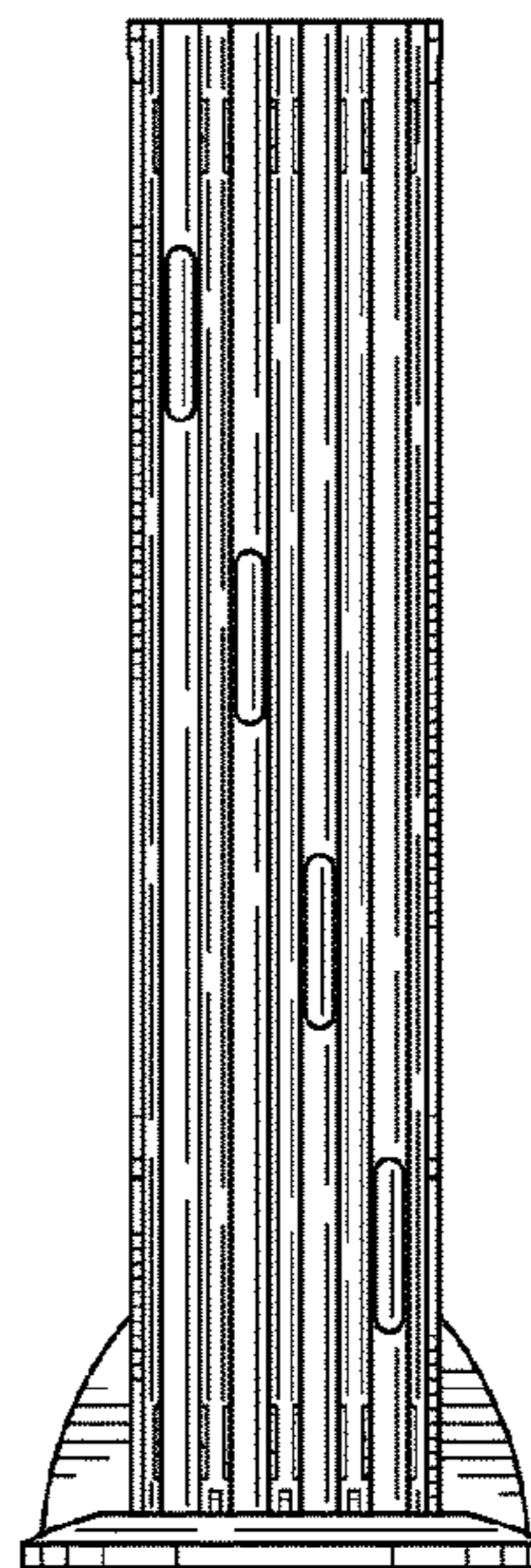


FIG. 5

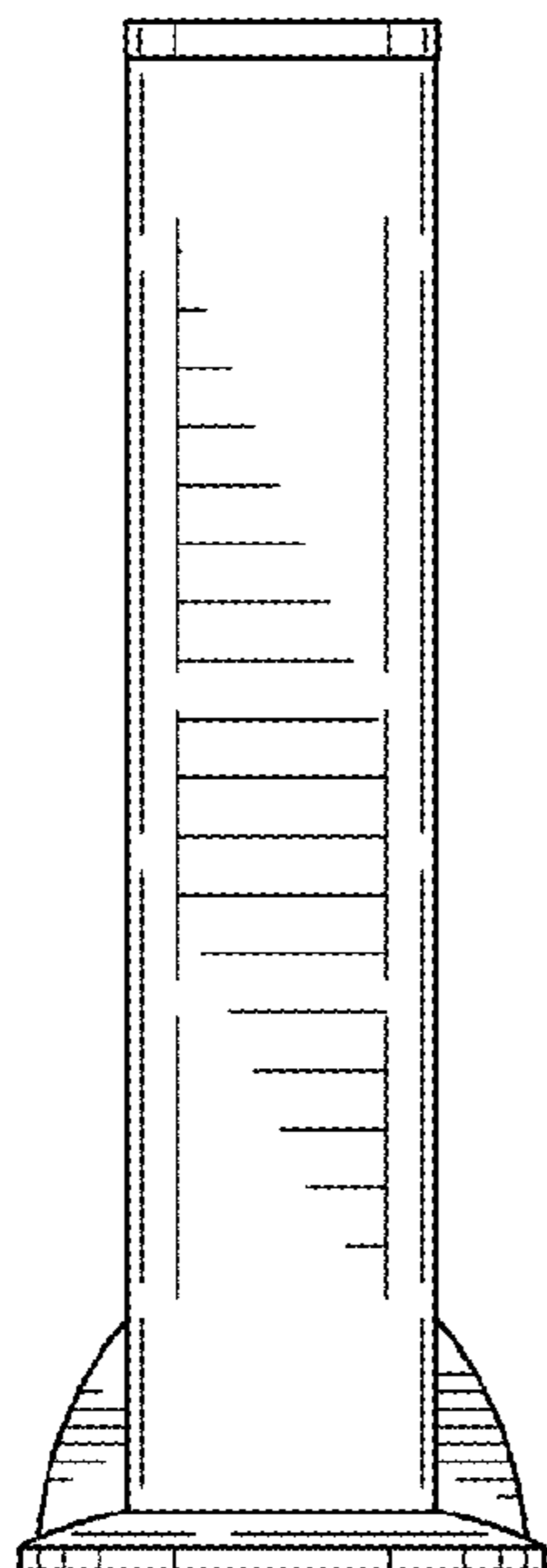


FIG. 6

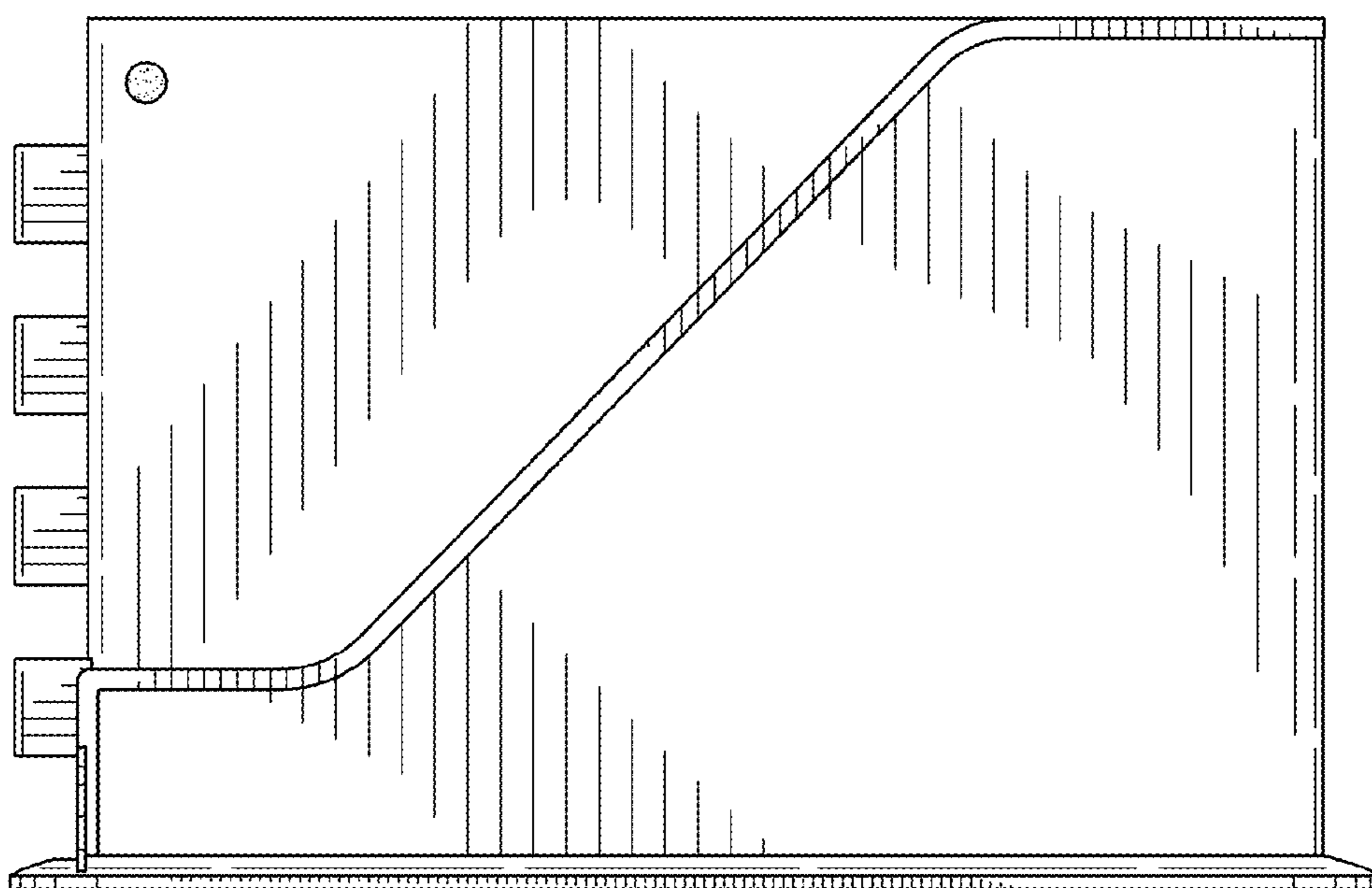


FIG. 7

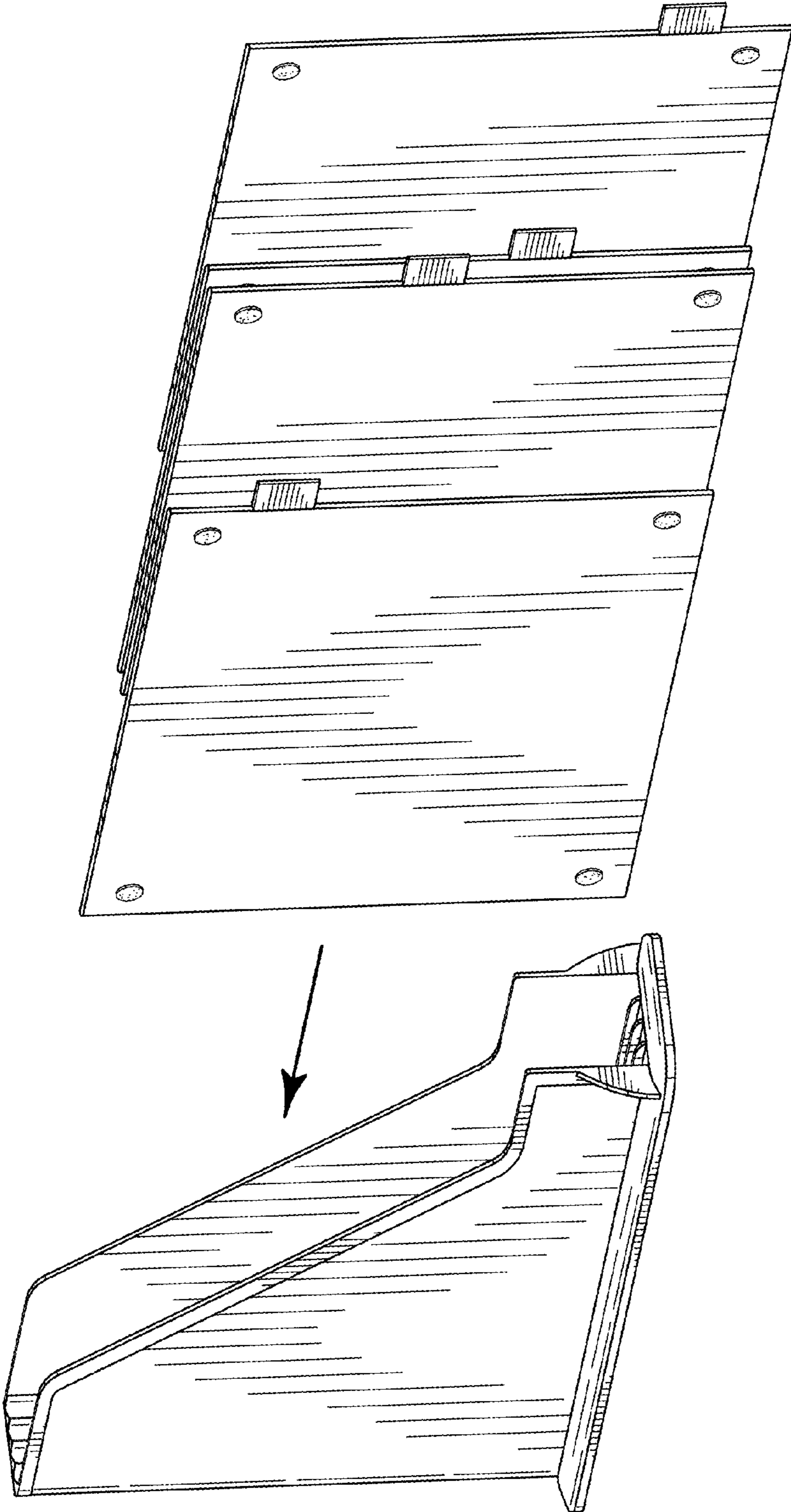


FIG. 8