



US00D689749S

(12) **United States Design Patent**
Keene

(10) **Patent No.:** **US D689,749 S**

(45) **Date of Patent:** **** Sep. 17, 2013**

(54) **SPATULA FOR ENCHILADAS**

(71) Applicant: **Daniel T. Keene**, Meridian, ID (US)

(72) Inventor: **Daniel T. Keene**, Meridian, ID (US)

(**) Term: **14 Years**

(21) Appl. No.: **29/434,276**

(22) Filed: **Oct. 11, 2012**

(51) **LOC (9) Cl.** **07-06**

(52) **U.S. Cl.**
USPC **D7/688**

(58) **Field of Classification Search**

USPC D7/680–696, 669, 368; 30/142,
30/124; 7/113; 294/7, 8

See application file for complete search history.

(56) **References Cited**

U.S. PATENT DOCUMENTS

D175,304 S	8/1955	Gorin	
D298,792 S	12/1988	Tucker et al.	
D392,850 S	3/1998	Zeller	
D545,645 S	7/2007	Lion et al.	
D633,759 S *	3/2011	Lion et al.	D7/688
7,934,755 B2 *	5/2011	Missakian	294/7

OTHER PUBLICATIONS

GrillPro 43090 Wide Head Stainless Steel Turner, <http://www.amazon.com/Grillpro-43090-Stainless-Steel-Turner/dp/B00275WWXY/ref=sr...>, Jun. 20, 2012, pp. 1-2.

Omelette Spatula, Chefs catalog, Early Summer 2012, front cover and p. 44.

* cited by examiner

Primary Examiner — Terry Wallace

(74) *Attorney, Agent, or Firm* — Pedersen and Company, PLLC; Ken J. Pedersen; Barbara S. Pedersen

(57) **CLAIM**

The ornamental design for a spatula for enchiladas, as shown and described.

DESCRIPTION

FIG. 1 is a top perspective view of the invented design.

FIG. 2 is a bottom perspective view of the embodiment depicted in FIG. 1.

FIG. 3 is a top view of the embodiment depicted in FIG. 1.

FIG. 4 is a left side view of the embodiment depicted in FIG. 1.

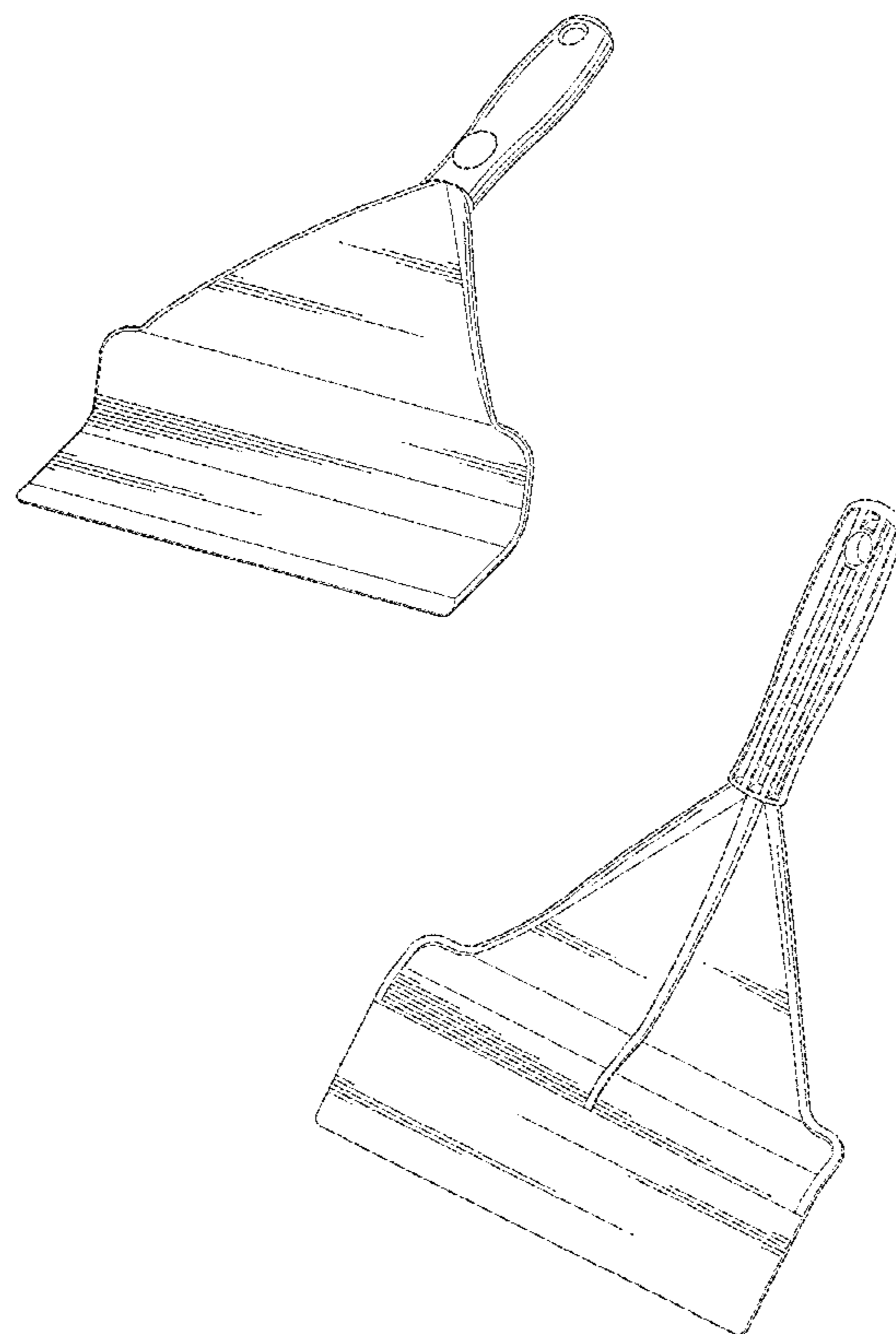
FIG. 5 is a bottom view of the embodiment depicted in FIG. 1.

FIG. 6 is a right side view of the embodiment depicted in FIG. 1.

FIG. 7 is a back view of the embodiment depicted in FIG. 1; and,

FIG. 8 is a front view of the embodiment depicted in FIG. 1.

1 Claim, 4 Drawing Sheets



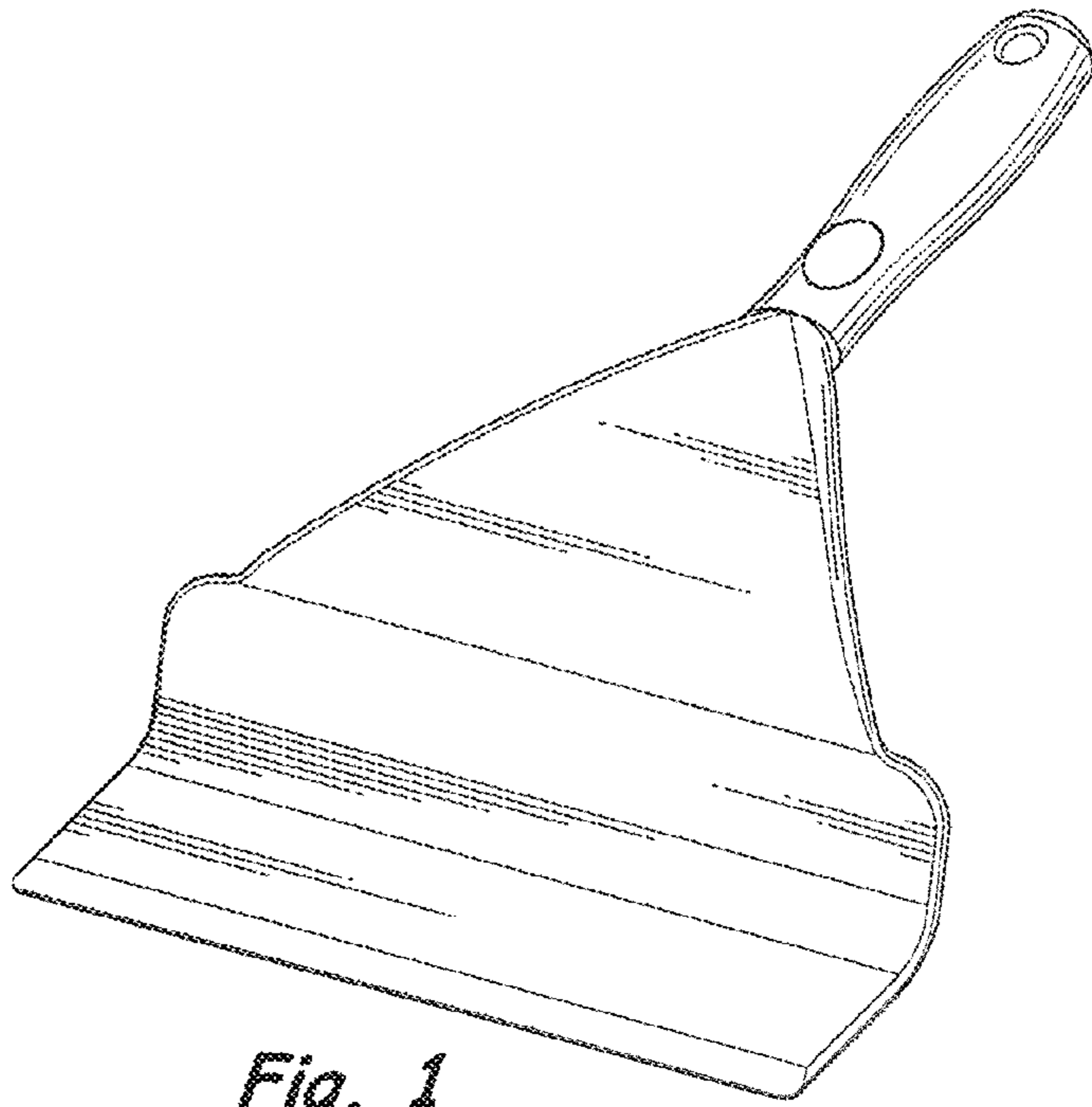


Fig. 1

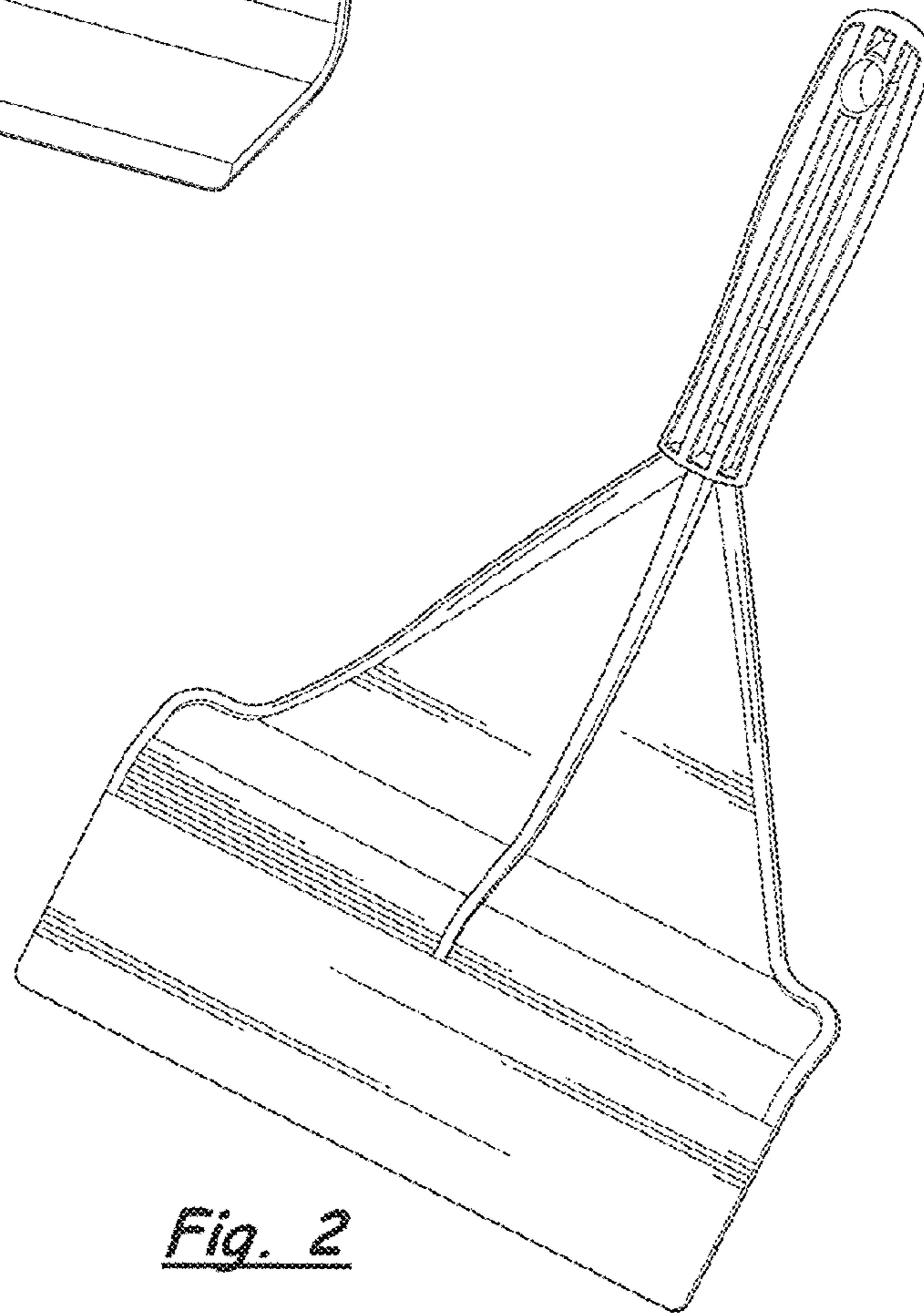


Fig. 2

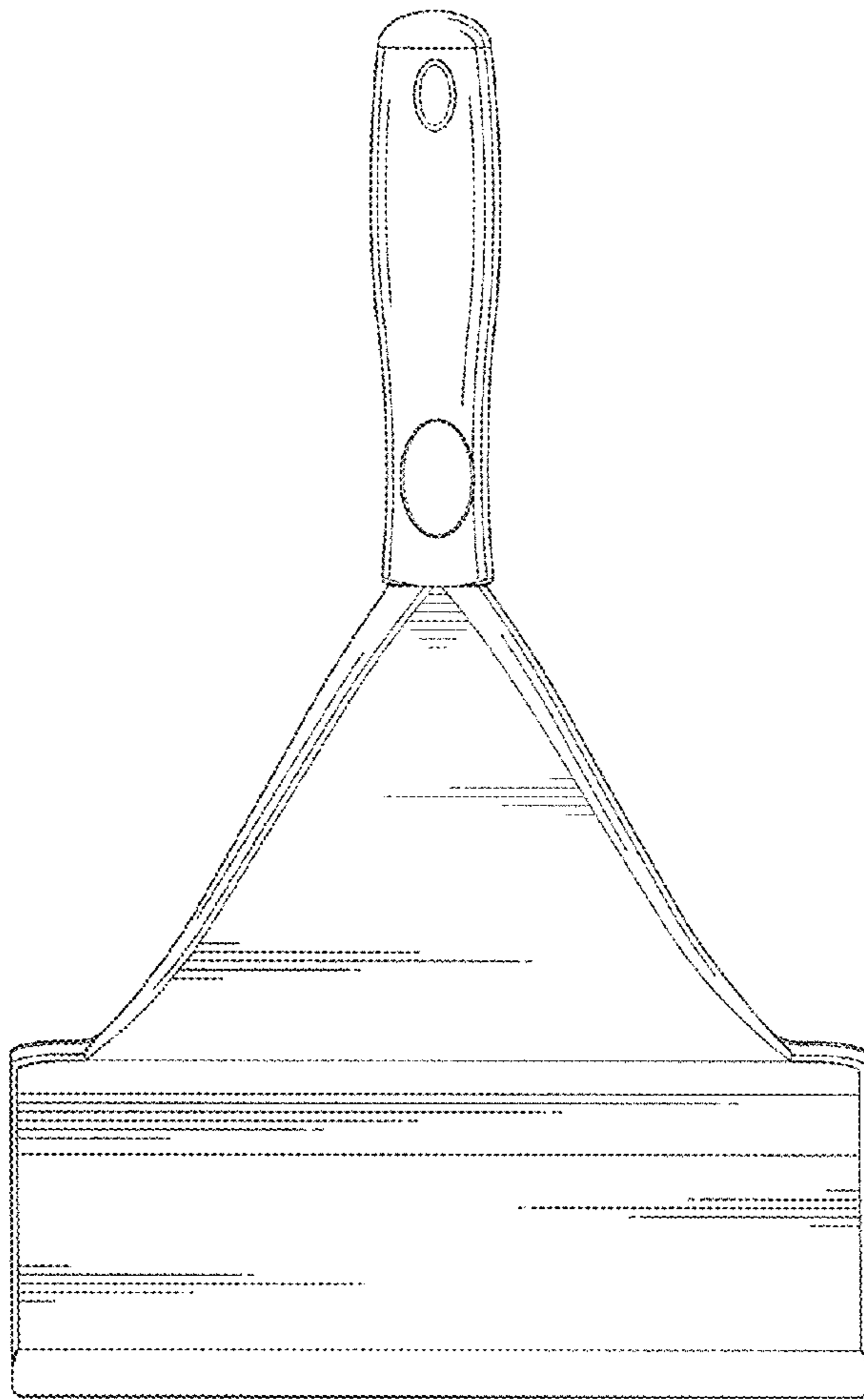


Fig. 3

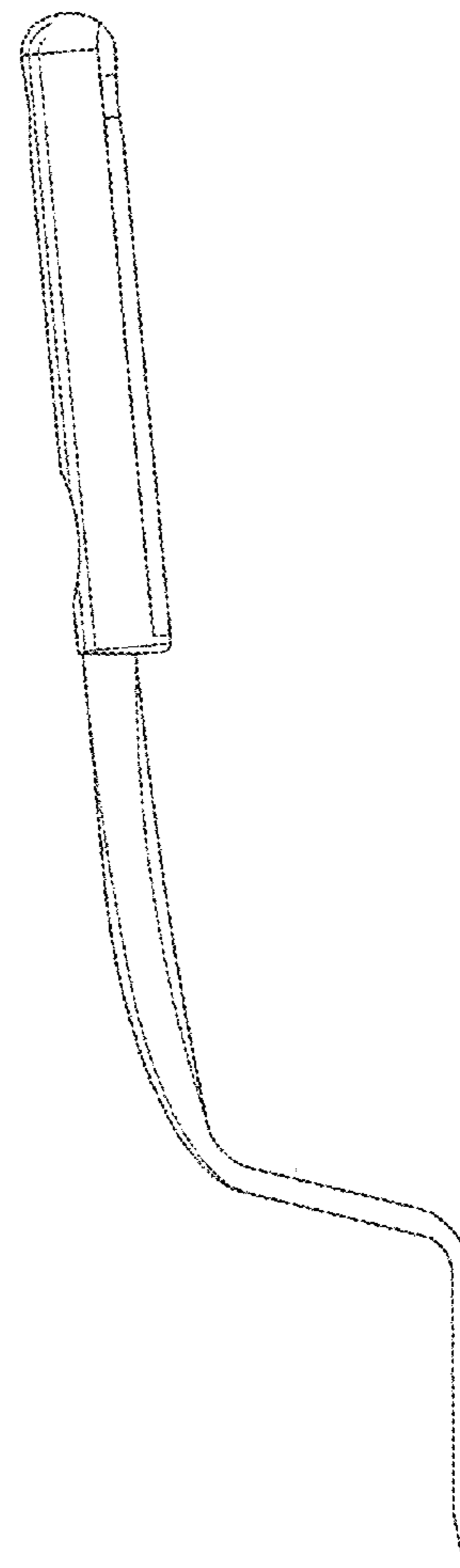


Fig. 4

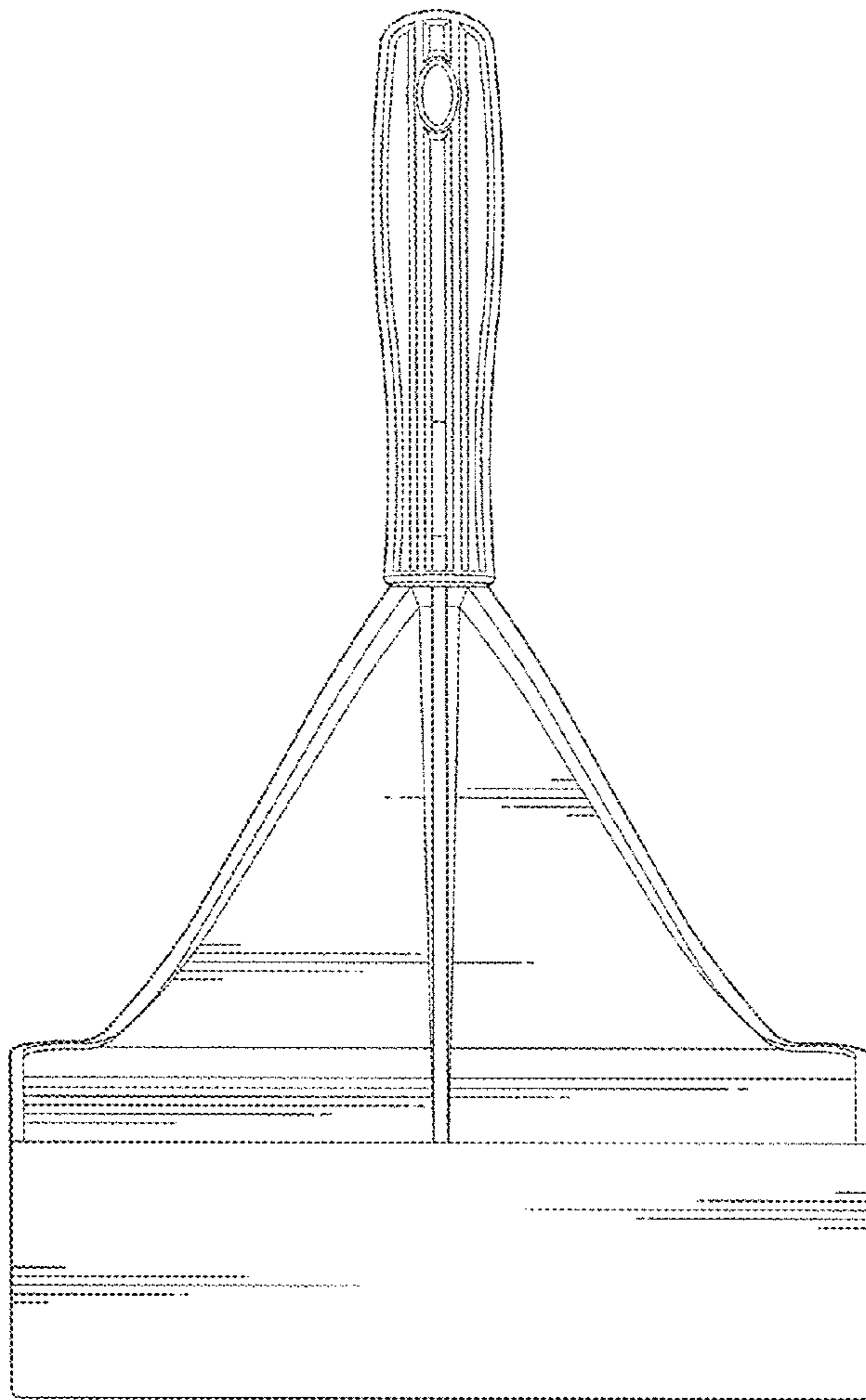


Fig. 5

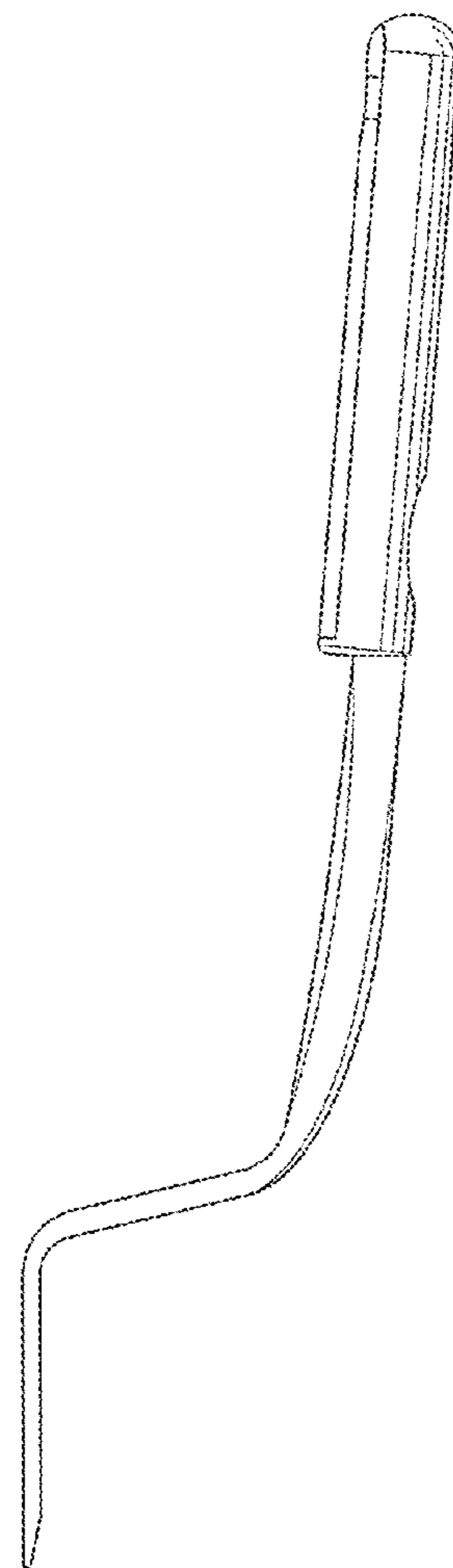


Fig. 6

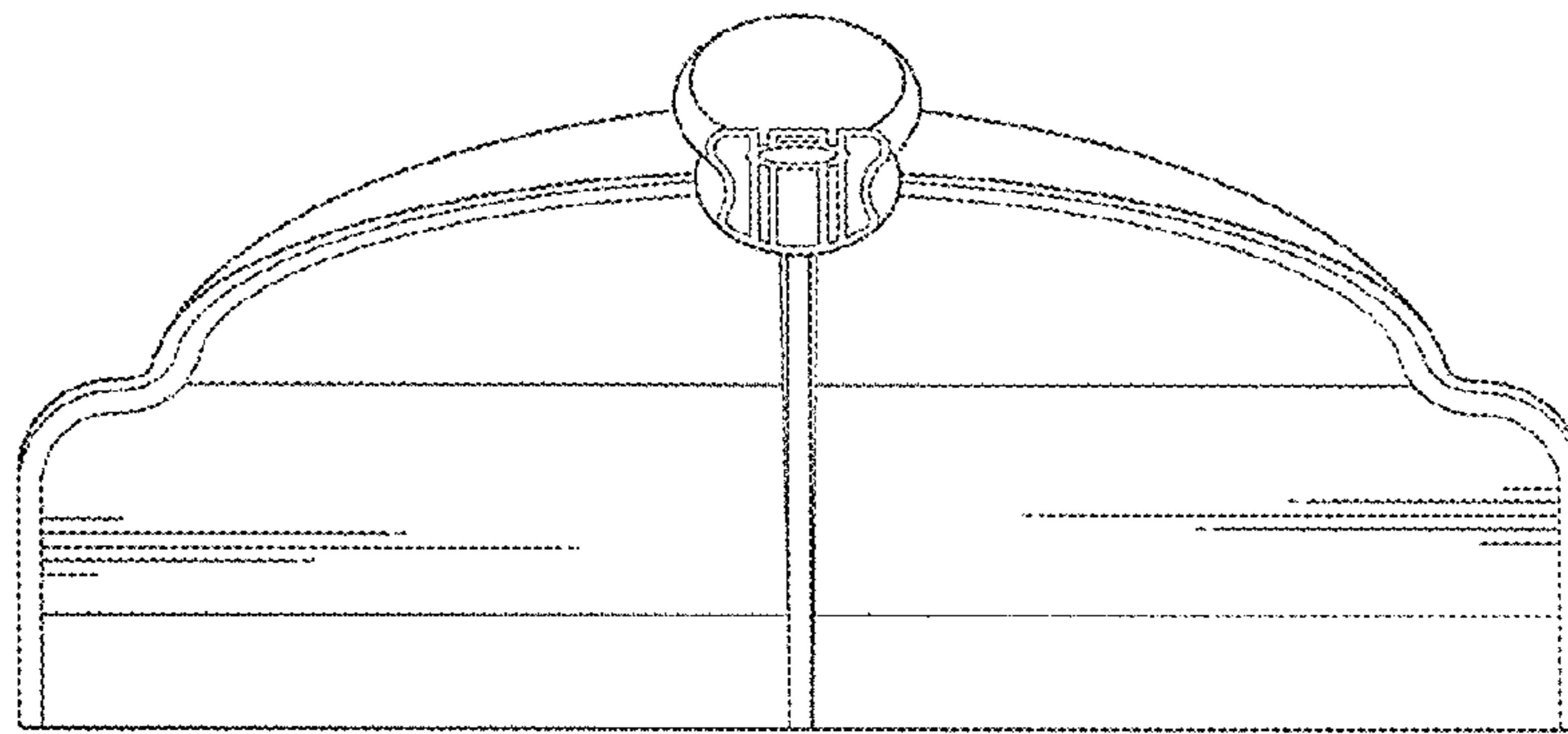


Fig. 7

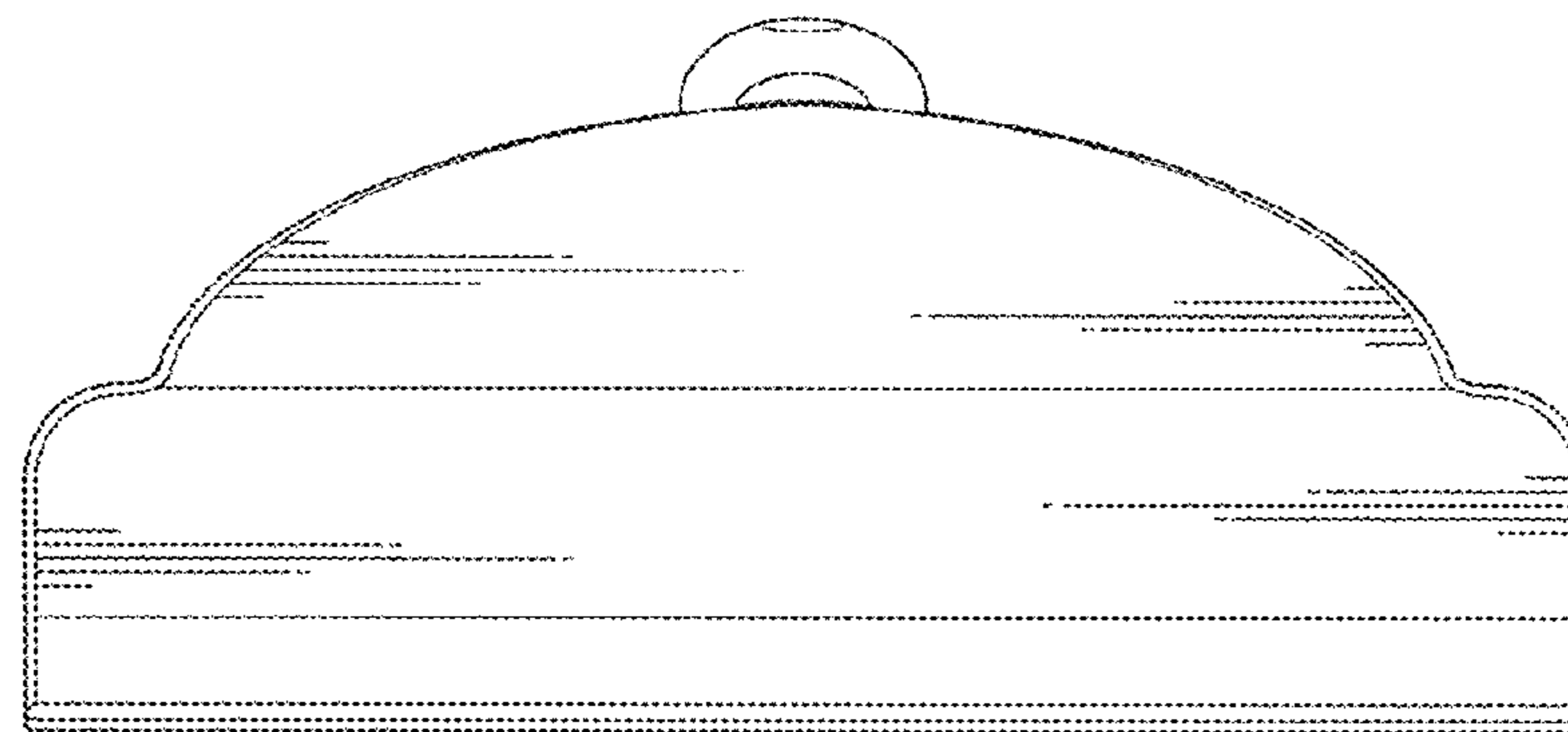


Fig. 8