



US00D689748S

(12) **United States Design Patent**
Schoeman

(10) **Patent No.:** **US D689,748 S**

(45) **Date of Patent:** **** Sep. 17, 2013**

(54) **LOCKING TONG**

(71) Applicant: **John Louis Schoeman**, Mona Vale (AU)

(72) Inventor: **John Louis Schoeman**, Mona Vale (AU)

(73) Assignee: **Masterful Limited**, North Point (HK)

(**) Term: **14 Years**

(21) Appl. No.: **29/433,027**

(22) Filed: **Sep. 25, 2012**

(51) **LOC (9) Cl.** **07-06**

(52) **U.S. Cl.**
USPC **D7/686**

(58) **Field of Classification Search**
USPC D7/680-696, 669, 368; 7/113; 294/99.2,
294/99.1, 118, 119, 7, 8, 16; 30/322-328,
30/169, 124, 136, 137, 150

See application file for complete search history.

(56) **References Cited**

U.S. PATENT DOCUMENTS

6,092,847	A *	7/2000	Kwan	294/16
6,726,263	B2 *	4/2004	Wang et al.	294/16
7,637,547	B2 *	12/2009	Schneider	294/16
D628,029	S *	11/2010	Rothman	D7/686
2008/0088142	A1 *	4/2008	Lubenesky et al.	294/16

* cited by examiner

Primary Examiner — Terry Wallace

(74) *Attorney, Agent, or Firm* — Thomas Y. Kendrick;
Benesch Friedlander Coplan & Aronoff LLP

(57) **CLAIM**

The ornamental design for a locking tong, as shown and described.

DESCRIPTION

FIG. 1 is an isometric view of a locking tong in a first, open condition.

FIG. 2 is an isometric view thereof in a second, closed condition; and,

FIG. 3 is a side contour line view thereof.

The design is directed to ornamental design for a tong.

1 Claim, 3 Drawing Sheets

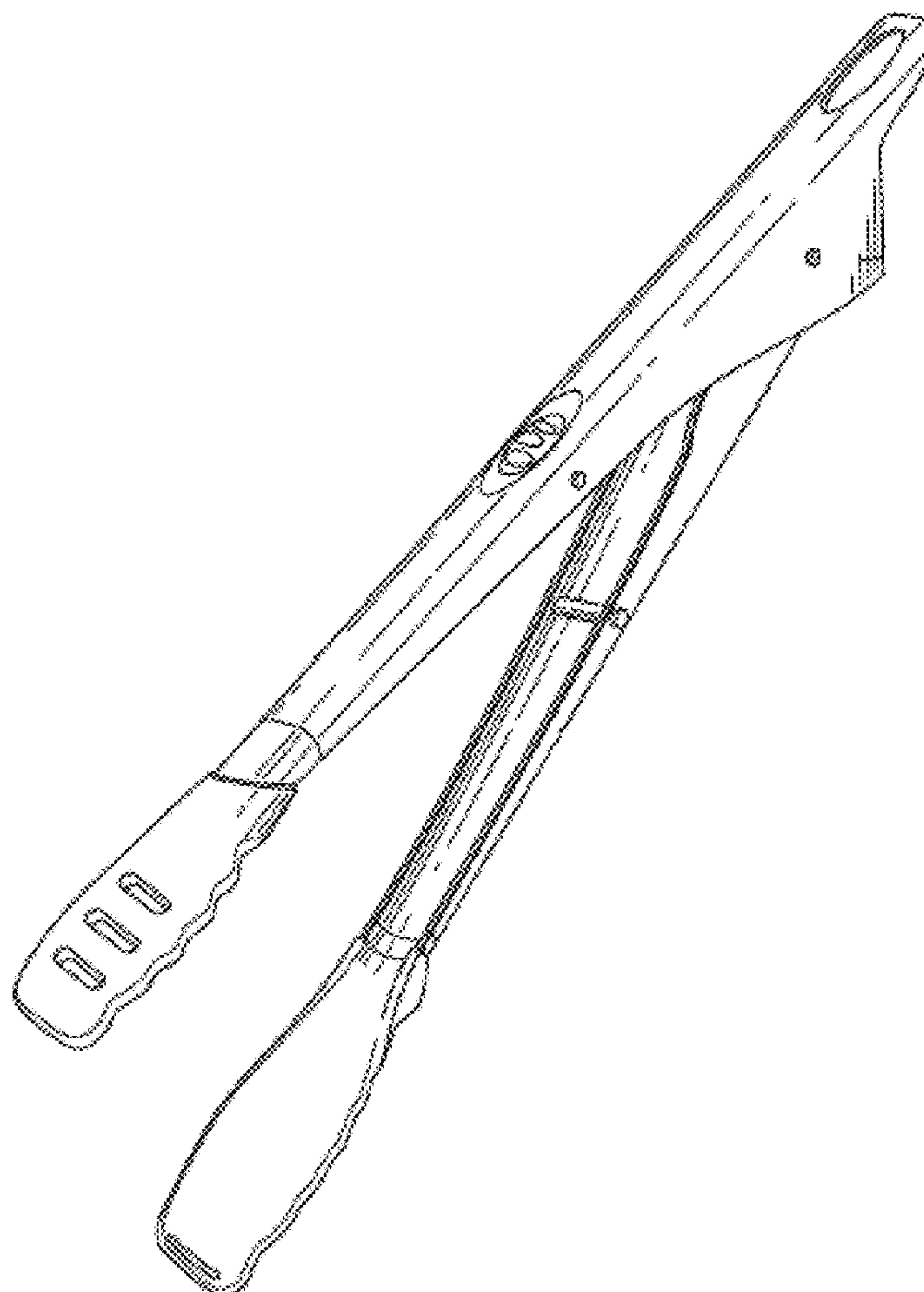
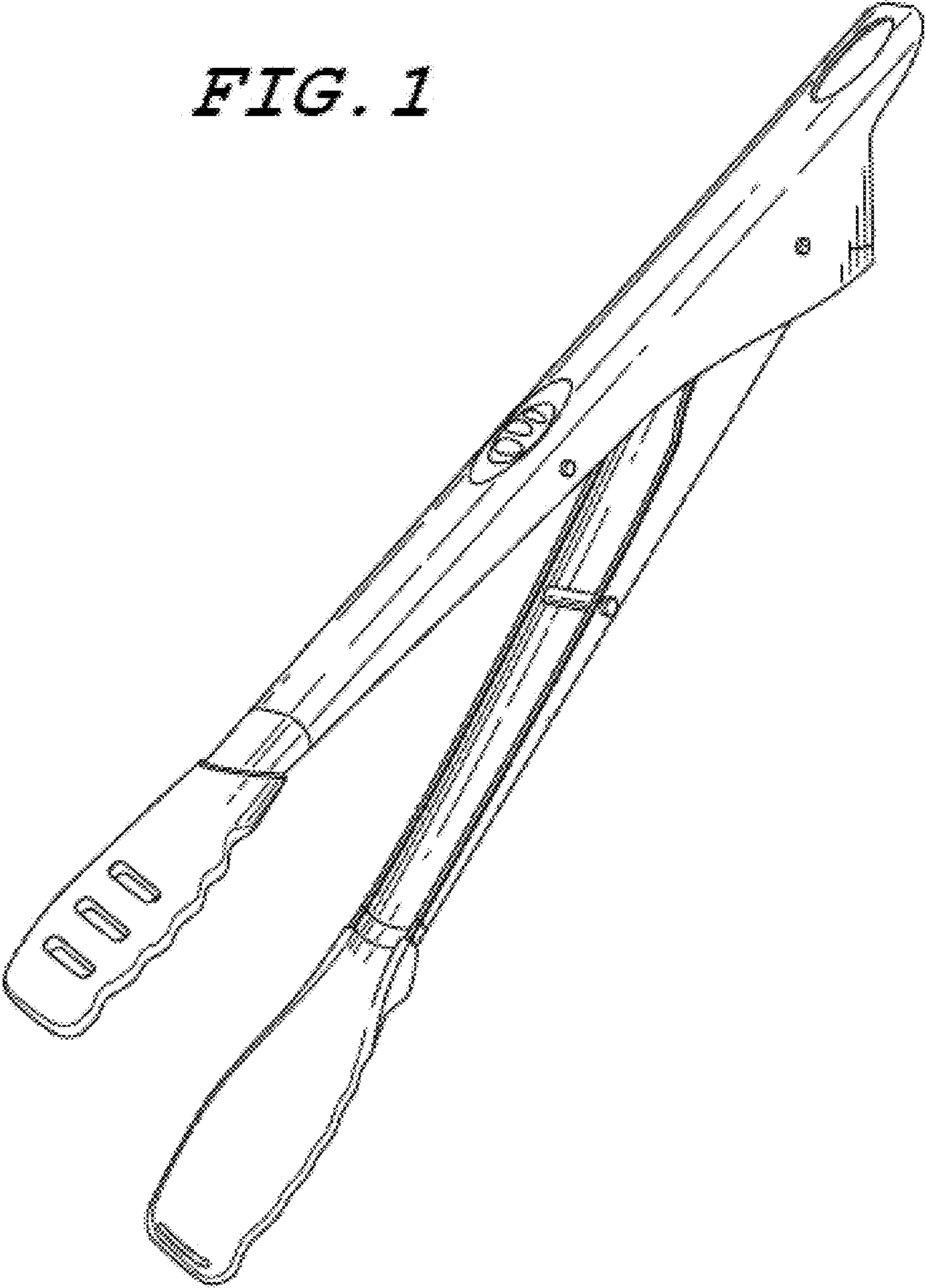


FIG. 1



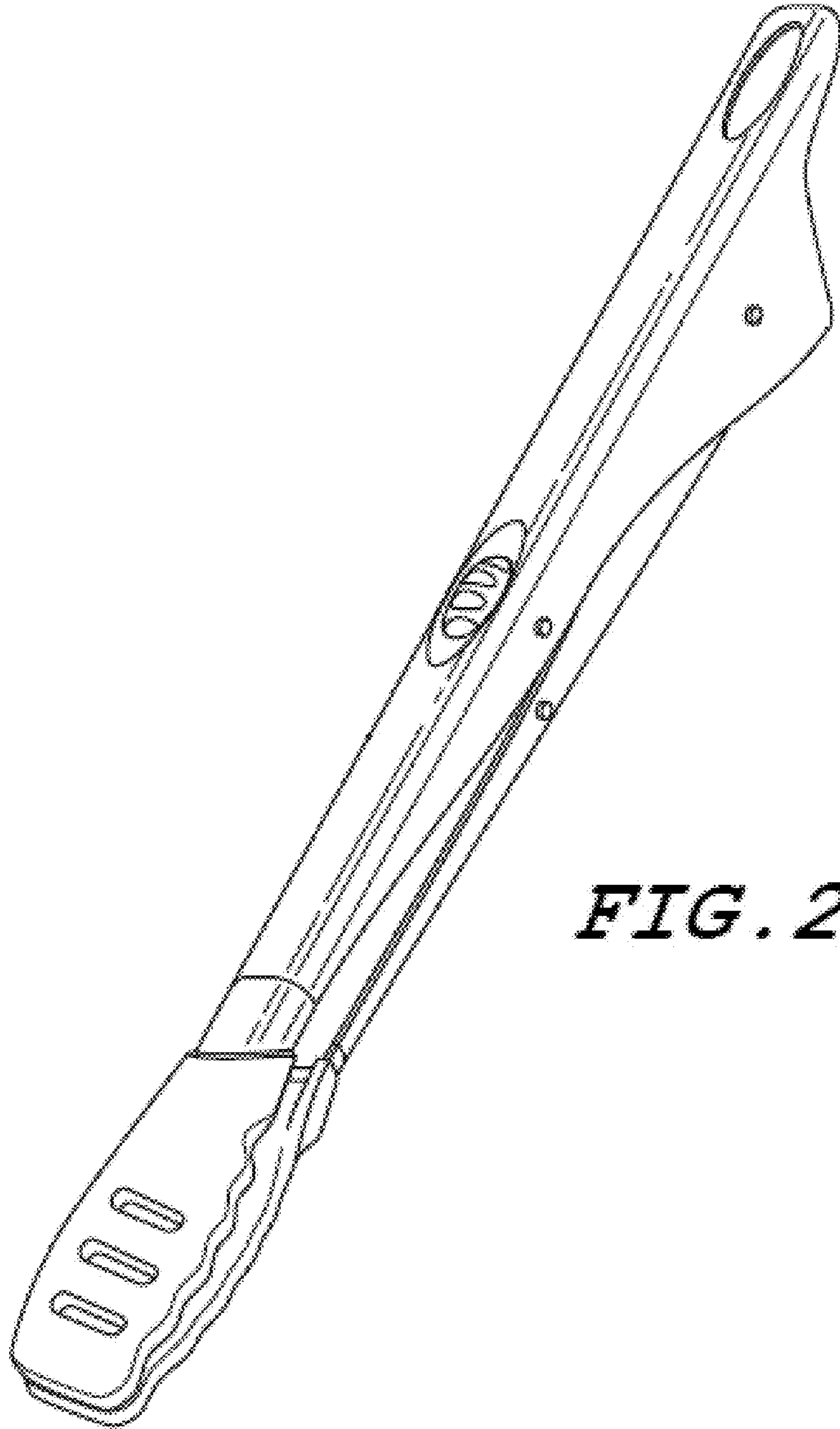


FIG. 2

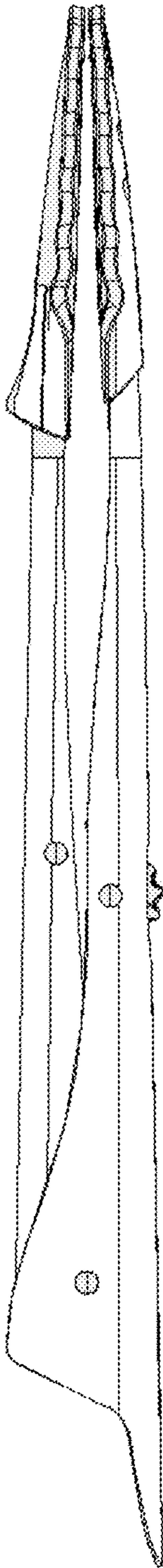


Figure 3