



US00D689747S

(12) **United States Design Patent**
Zorovich et al.

(10) **Patent No.:** **US D689,747 S**
(45) **Date of Patent:** **** Sep. 17, 2013**

(54) **ICE POP MAKER**

D269,578 S * 7/1983 Straubinger D7/672
5,354,191 A * 10/1994 Bobis 425/118
6,109,056 A 8/2000 Feldpausch

(71) Applicants: **Kenneth D. Zorovich**, Hoboken, NJ
(US); **John C. Earle**, Annapolis, MD
(US); **Yos Kumthampinij**, Edgewater,
NJ (US); **William Nickley**, Jersey City,
NJ (US)

(Continued)

Primary Examiner — Terry Wallace
(74) *Attorney, Agent, or Firm* — Greenberg Traurig, LLP

(72) Inventors: **Kenneth D. Zorovich**, Hoboken, NJ
(US); **John C. Earle**, Annapolis, MD
(US); **Yos Kumthampinij**, Edgewater,
NJ (US); **William Nickley**, Jersey City,
NJ (US)

(57) **CLAIM**
The ornamental design for an ice pop maker, as shown and
described.

(73) Assignee: **Propeller, Inc.**, Hoboken, NJ (US)

DESCRIPTION

(**) Term: **14 Years**

FIG. 1 is a top perspective view of an ice pop maker showing
our new design.
FIG. 2 is a bottom perspective view thereof.
FIG. 3 is a top plan view thereof.
FIG. 4 is a bottom plan view thereof.
FIG. 5 is a right side view thereof, the left side view being a
mirror image thereof.
FIG. 6 is a front view thereof, the rear view being a mirror
image thereof.
FIG. 7 is an exploded top perspective view thereof with an
associated mold being removed therefrom.
FIG. 8 is a left side view of FIG. 7.
FIG. 9 is a right side view of FIG. 7.
FIG. 10 is a front view of FIG. 7.
FIG. 11 is a rear view of FIG. 7.
FIG. 12 is a top perspective view thereof showing ice pop
sticks inserted therein.
FIG. 13 is a top plan view of FIG. 12.
FIG. 14 is a right side view of FIG. 12, the left side view being
identical.
FIG. 15 is a front view of FIG. 12, the rear view being
identical.
FIG. 16 is an exploded top perspective view of FIG. 12, show-
ing one of the sticks and associated molds being removed
therefrom.
FIG. 17 is a left side view of FIG. 16.
FIG. 18 is a right side view of FIG. 16.
FIG. 19 is a front view of FIG. 16.
FIG. 20 is a rear view of FIG. 16; and,
FIG. 21 is an exploded top perspective view of FIG. 12,
showing the associated molds and sticks removed therefrom.
The ice pop maker in FIGS. 1-11 is shown without the sticks
for ease of illustration.

(21) Appl. No.: **29/443,381**

(22) Filed: **Jan. 16, 2013**

(51) **LOC (9) Cl.** **07-04**

(52) **U.S. Cl.**
USPC **D7/672**

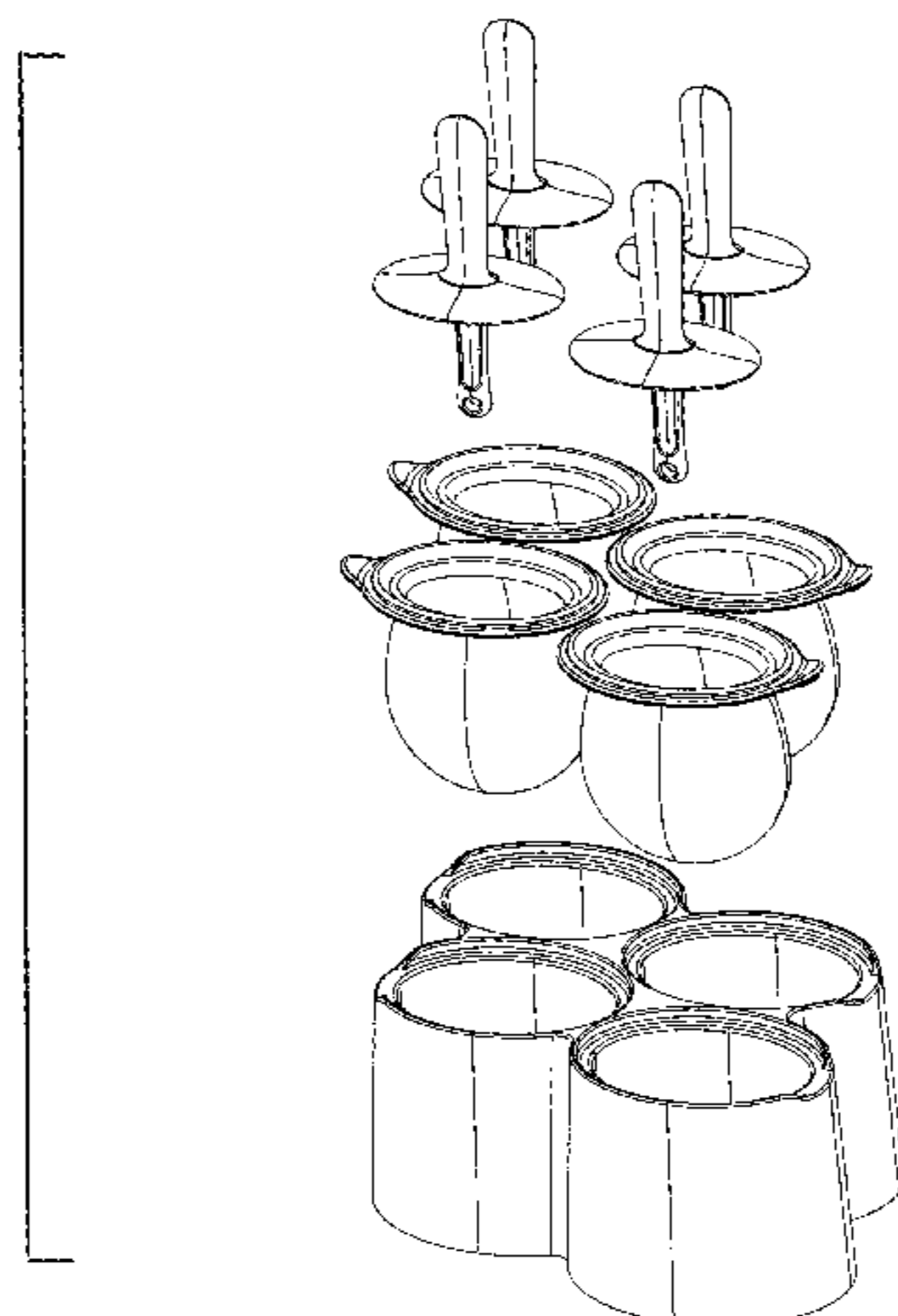
(58) **Field of Classification Search**
USPC D7/672-677, 354, 323, 368, 669;
D1/101, 102, 105, 127; 249/91-93, 121,
249/119, 133, 140, 120, 137, 139, 115, 117,
249/134; D15/90; 62/345, 356, 457.1;
425/118, 26.2, DIG. 249; 294/87.11
See application file for complete search history.

(56) **References Cited**

U.S. PATENT DOCUMENTS

1,505,592	A	8/1924	Epperson	
1,987,945	A *	1/1935	Schnaler	249/92
2,317,067	A *	4/1943	Knaust	229/117.12
2,591,261	A *	4/1952	Holahan	249/92
2,946,207	A *	7/1960	Hulterstrum	249/92
D188,992	S *	10/1960	Morrison	D7/672
3,411,463	A *	11/1968	Moseres	249/92
4,239,175	A *	12/1980	Straubinger	249/92

1 Claim, 19 Drawing Sheets



US D689,747 S

Page 2

(56)

References Cited

U.S. PATENT DOCUMENTS

6,301,919 B1 * 10/2001 Blaustein et al. 62/345
6,425,438 B1 7/2002 Hahn

D592,911 S * 5/2009 Buchanan D7/605
D626,384 S 11/2010 Zorovich et al.
2010/0183789 A1 7/2010 Zorovich et al.

* cited by examiner

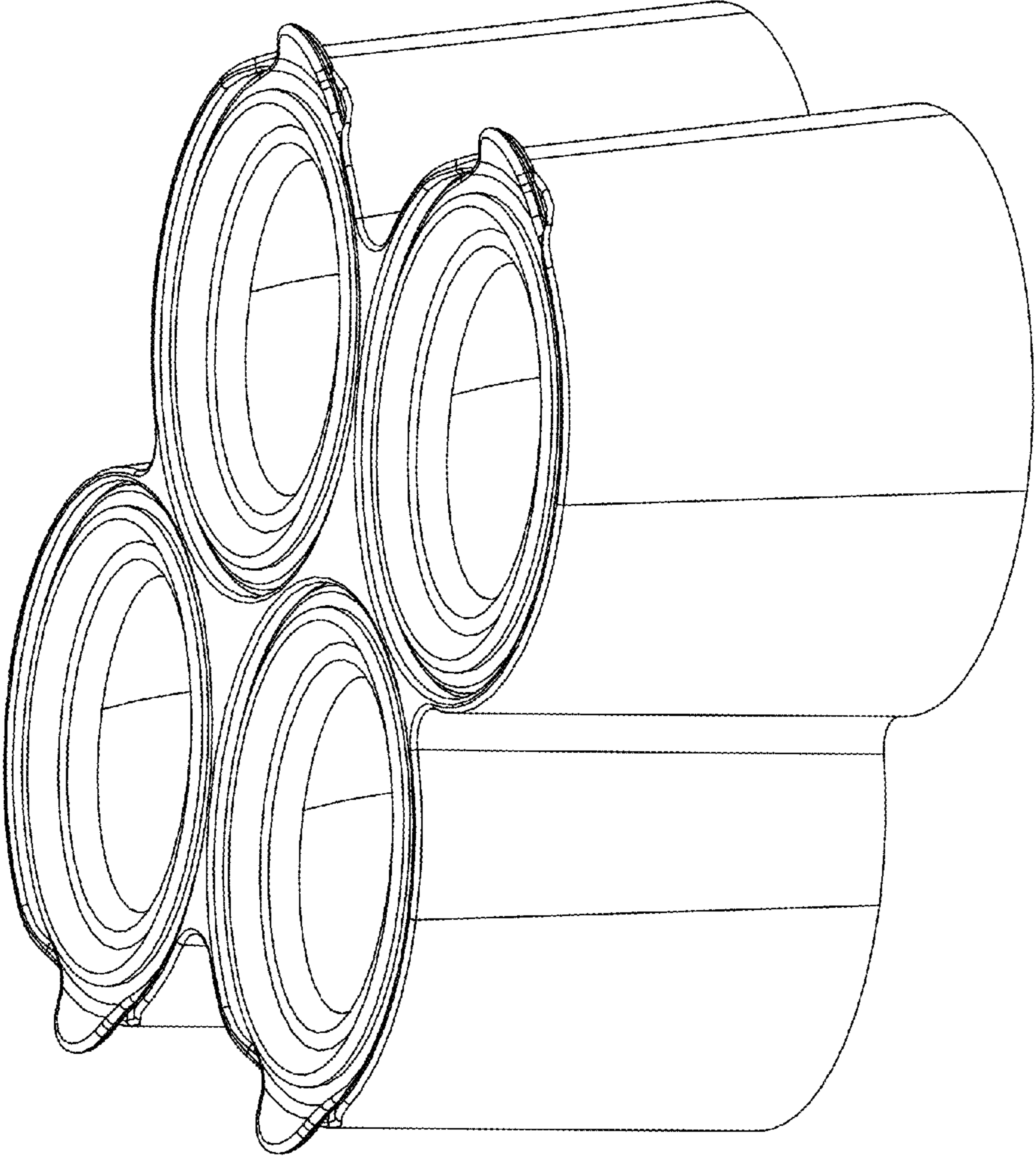


FIG. 1

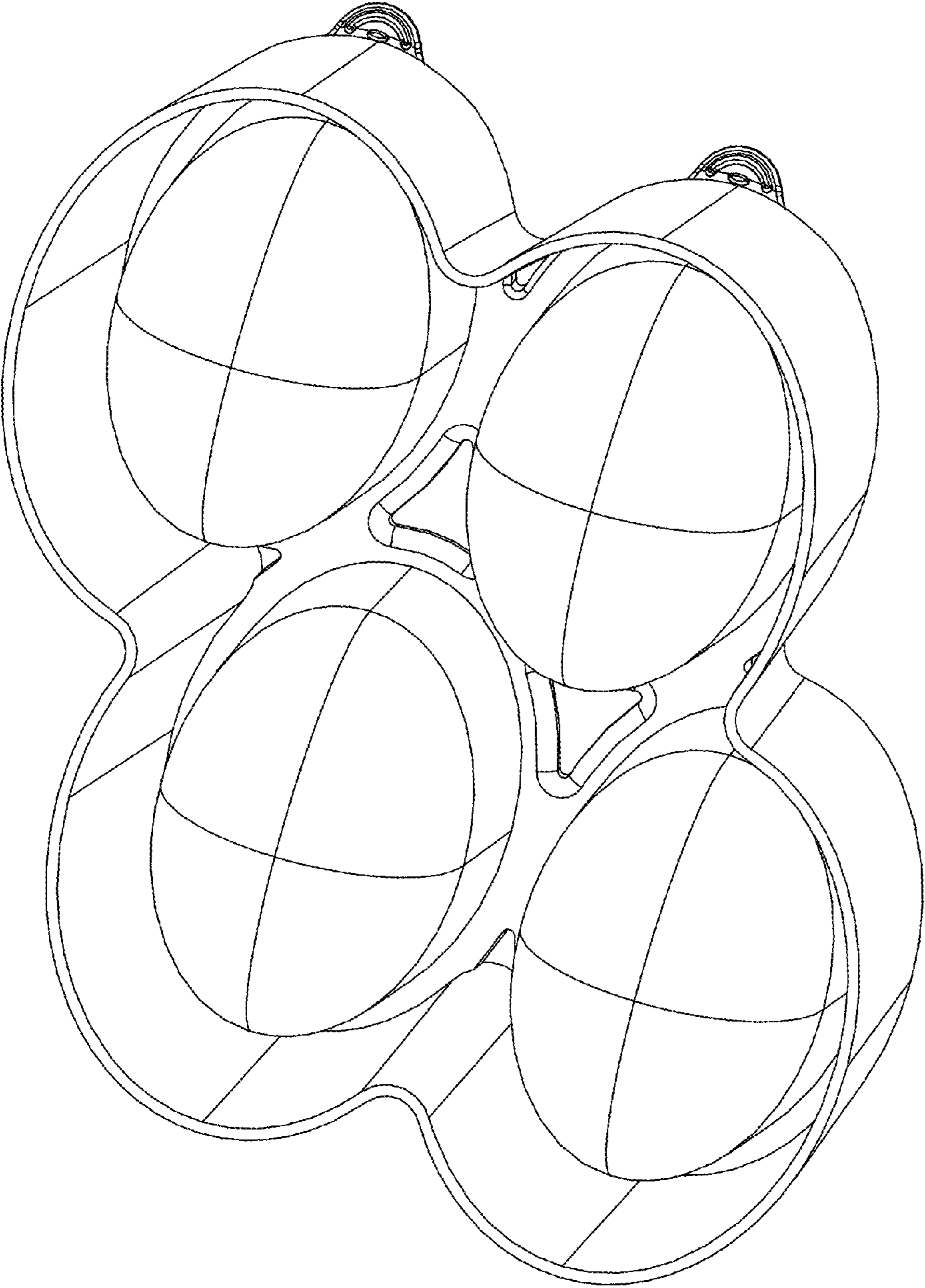


FIG. 2

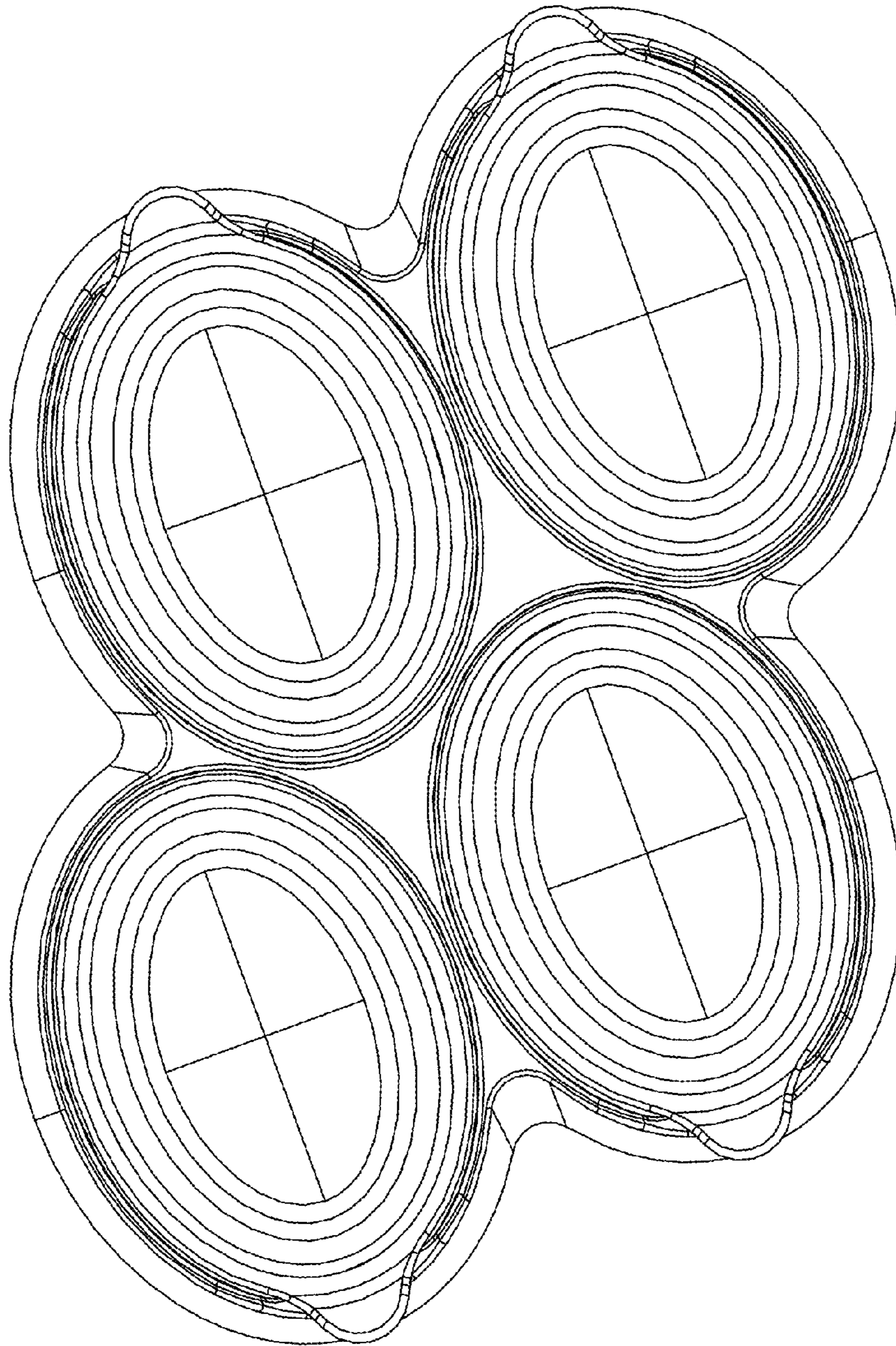


FIG. 3

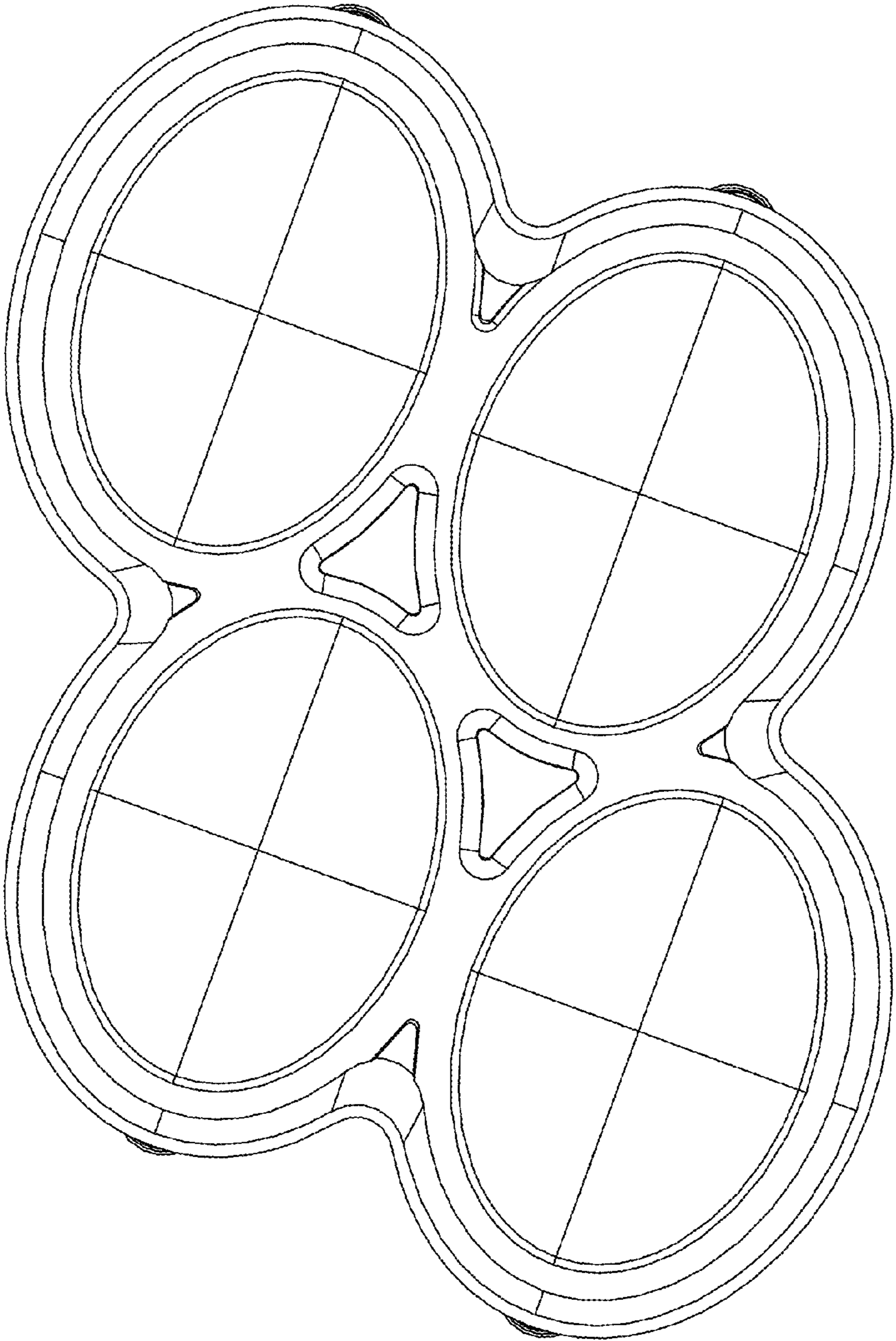


FIG. 4

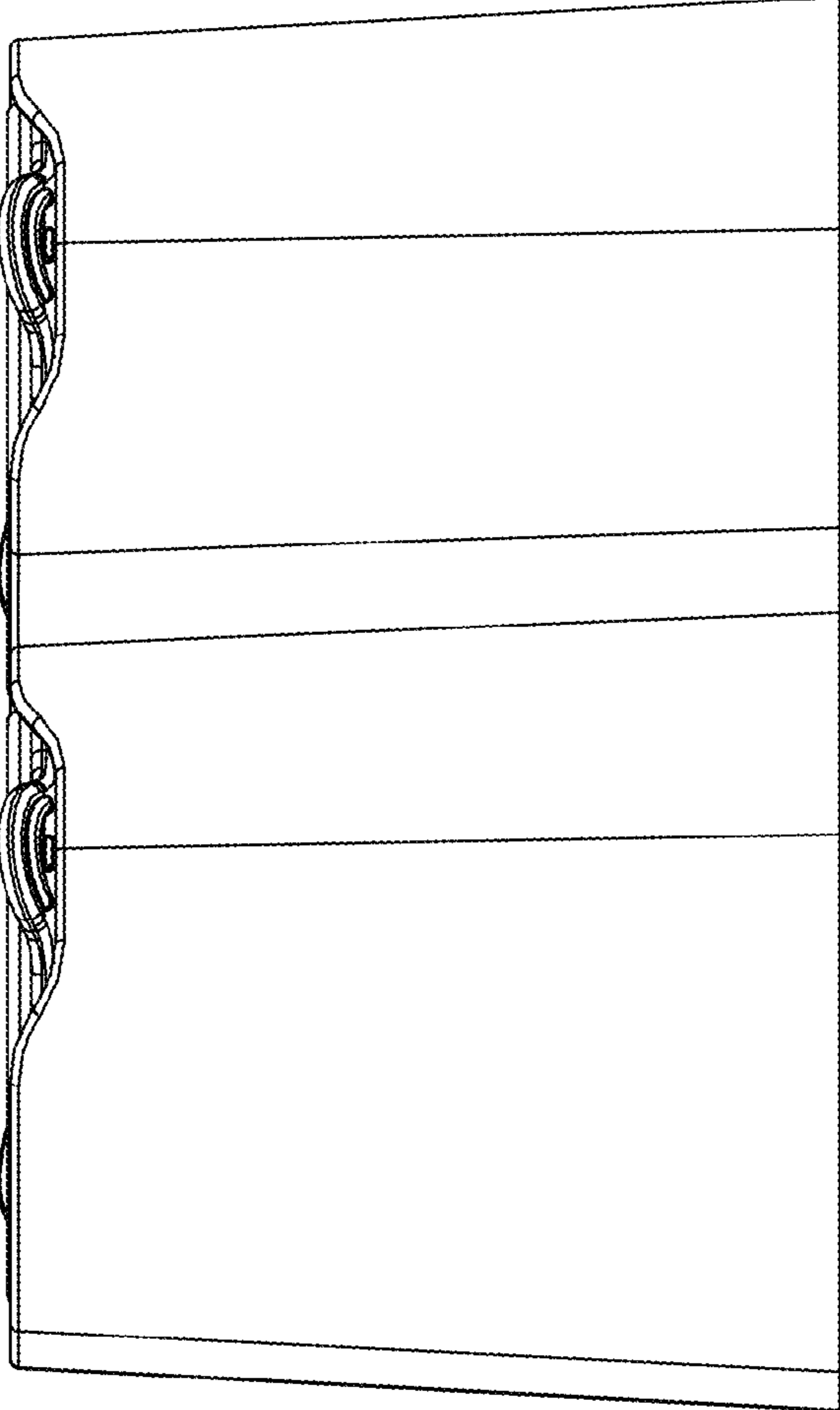


FIG. 5

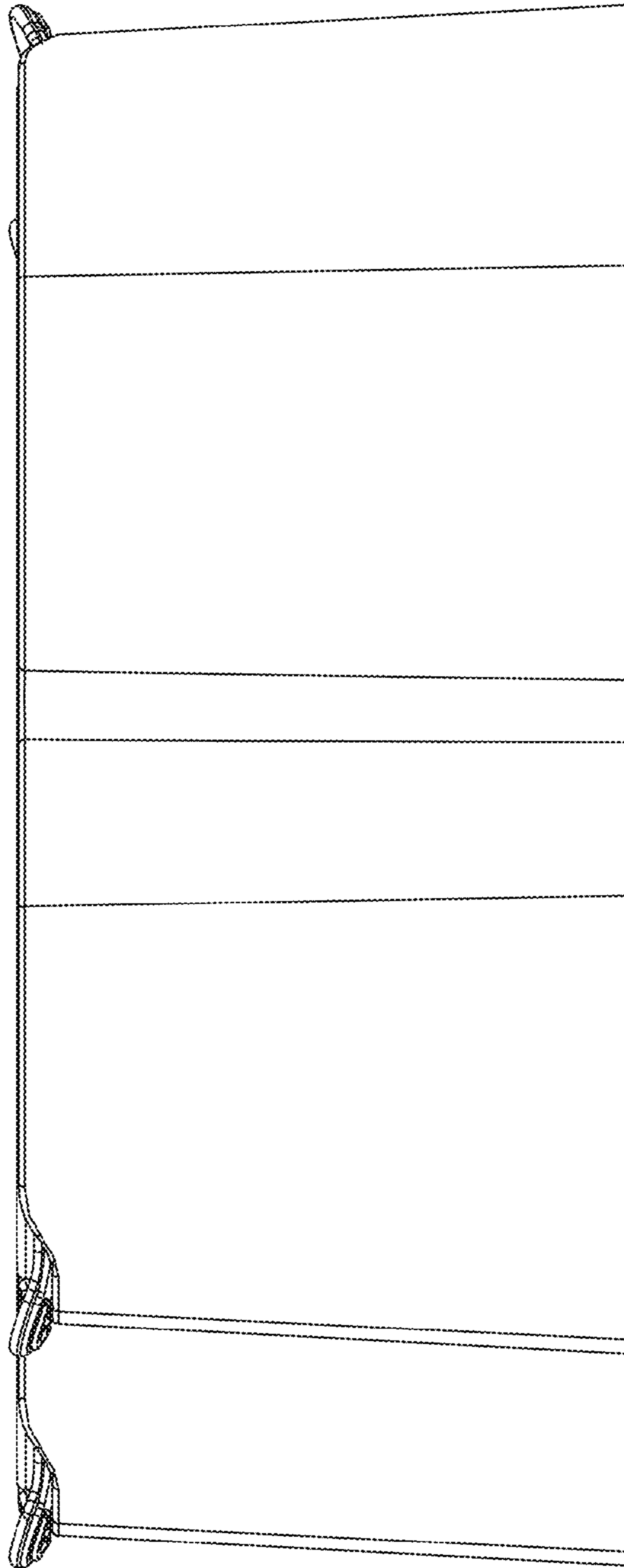


FIG. 6

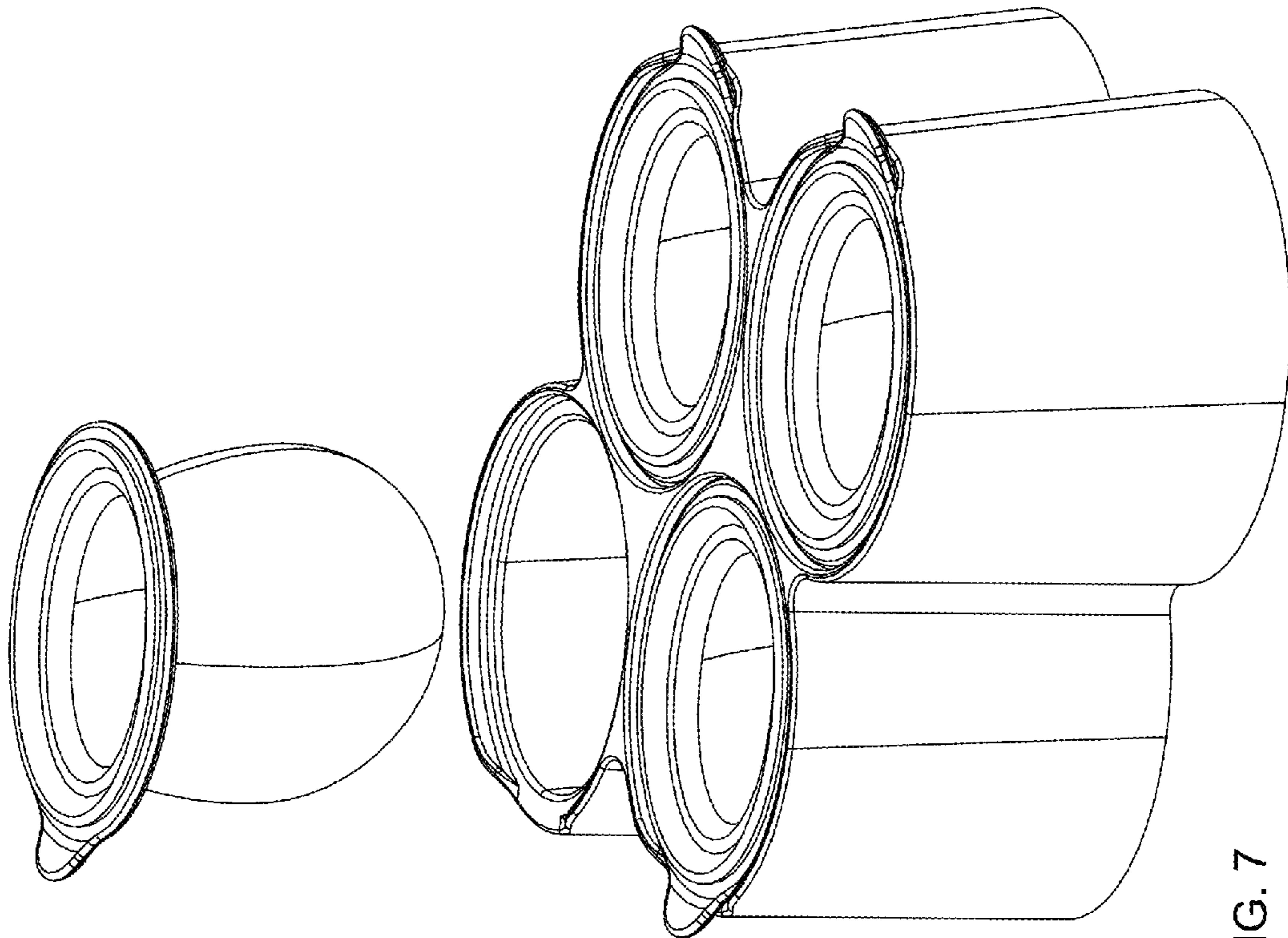


FIG. 7



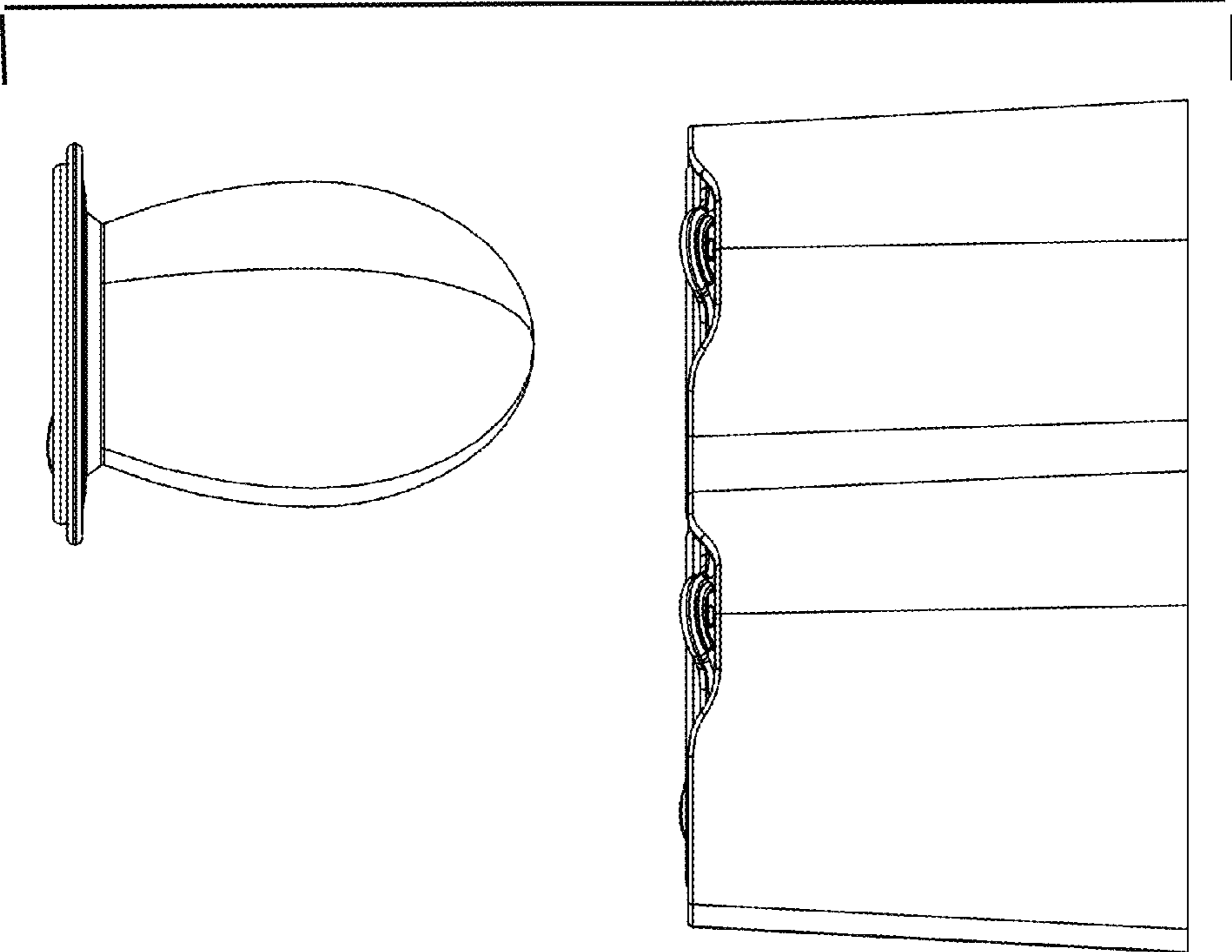


FIG. 9

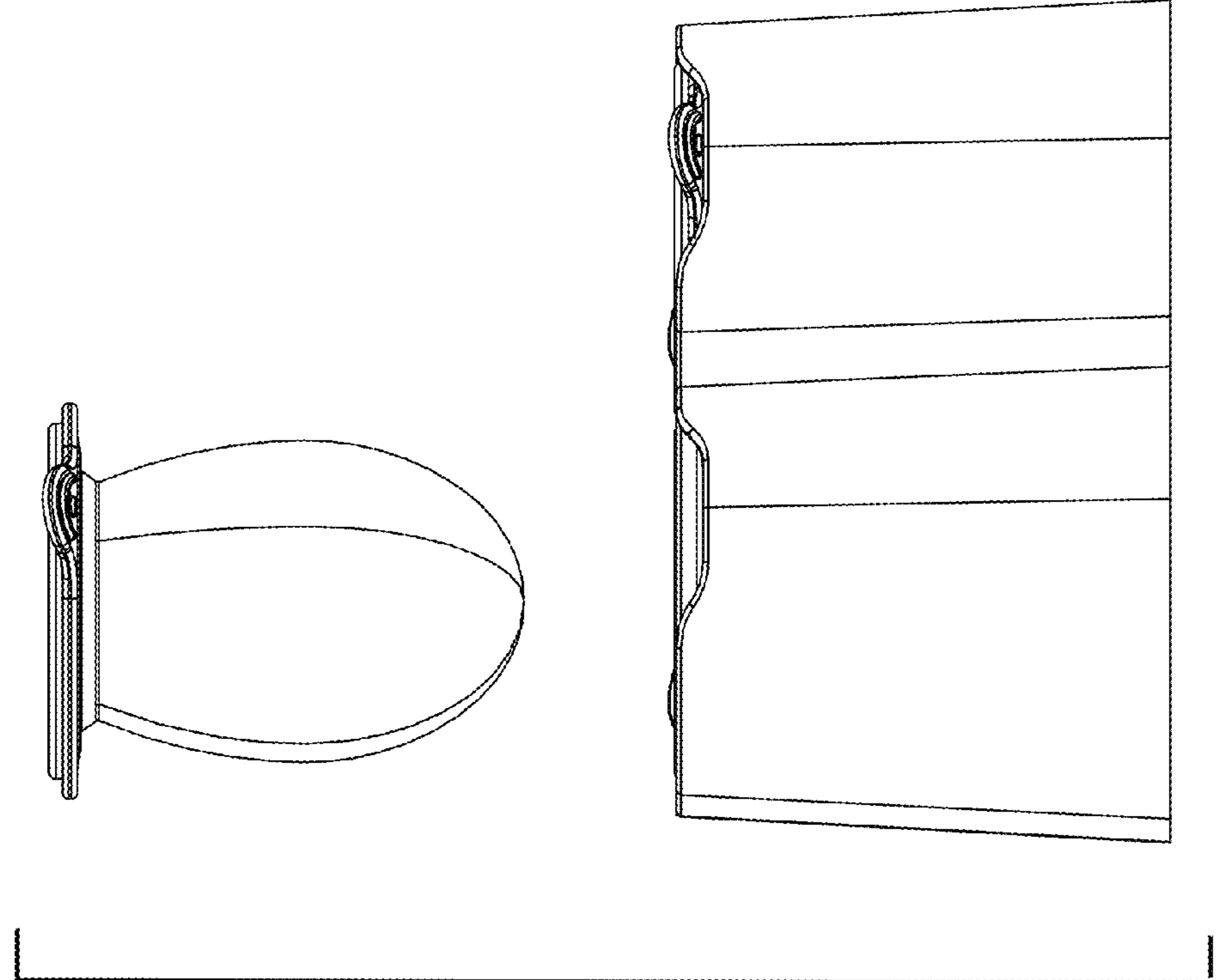


FIG. 8

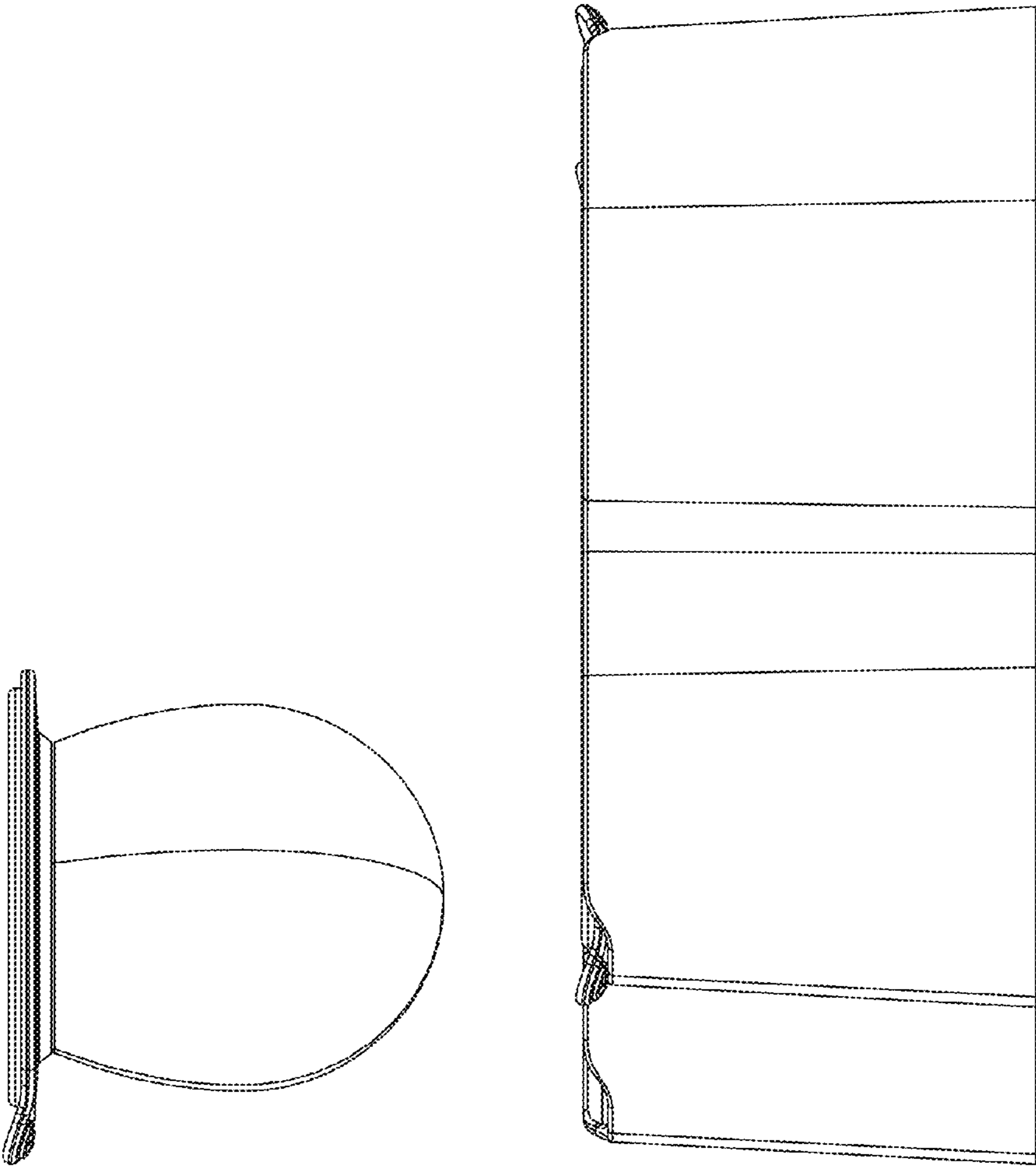


FIG. 10



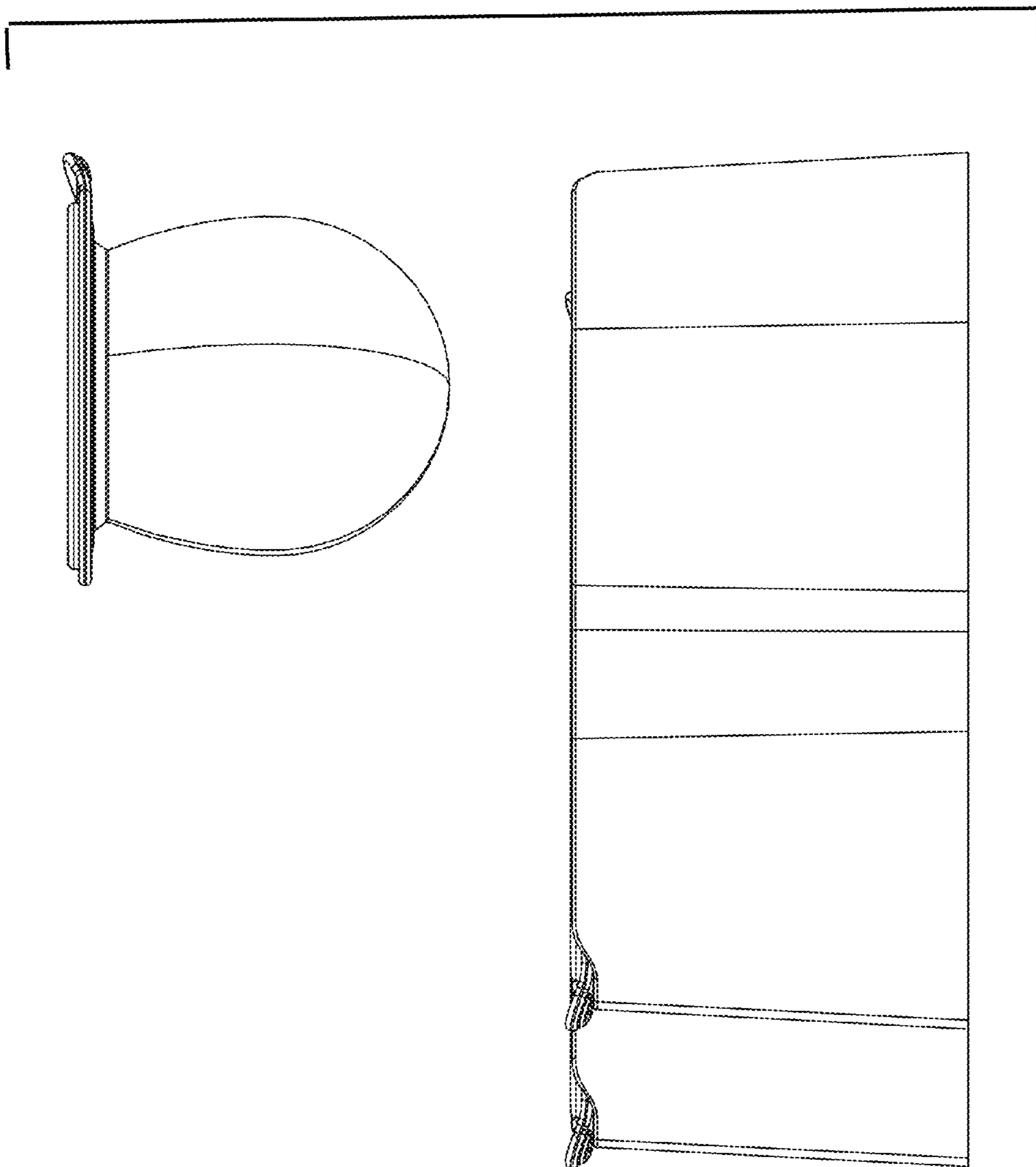


FIG. 11

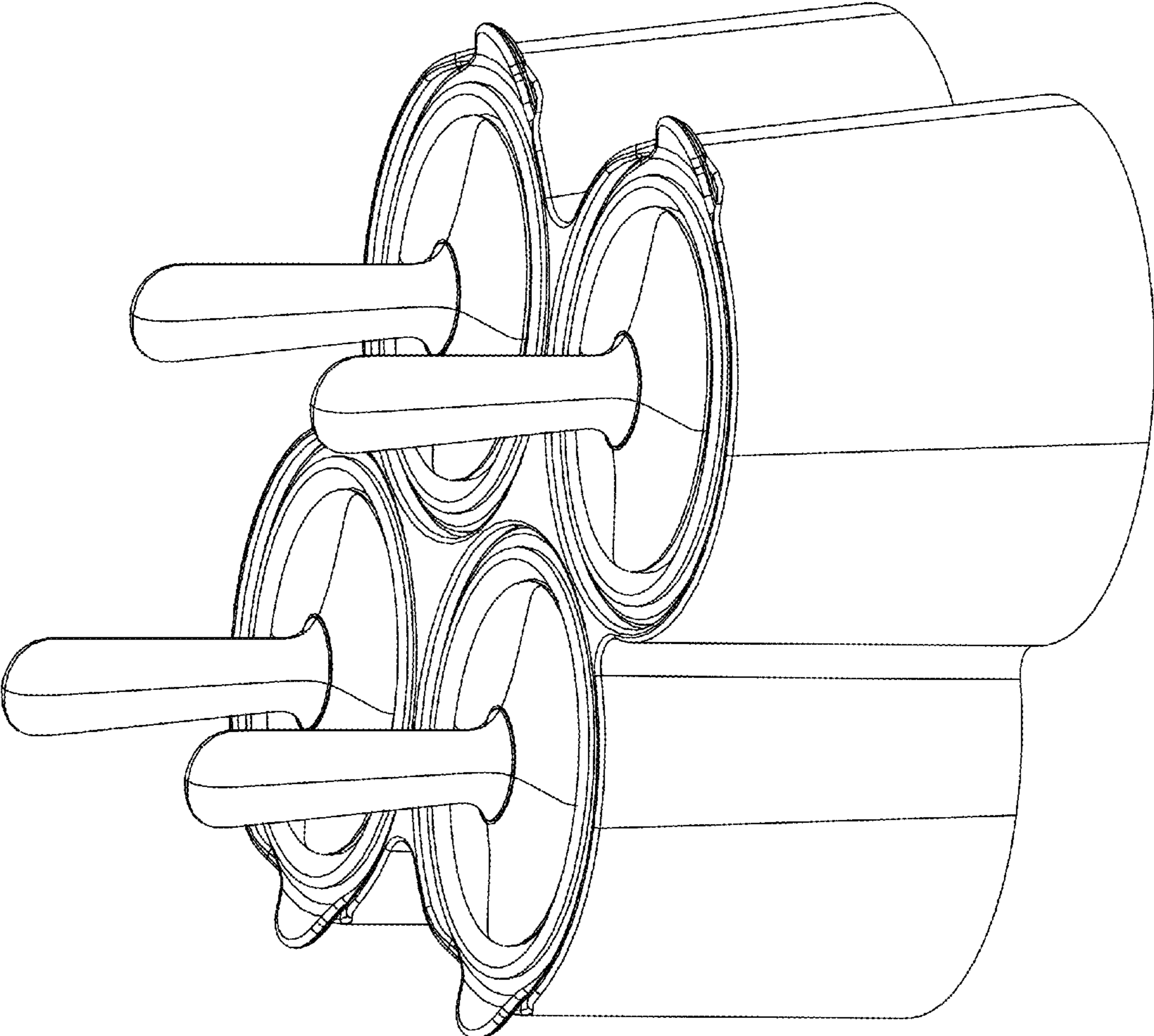


FIG. 12

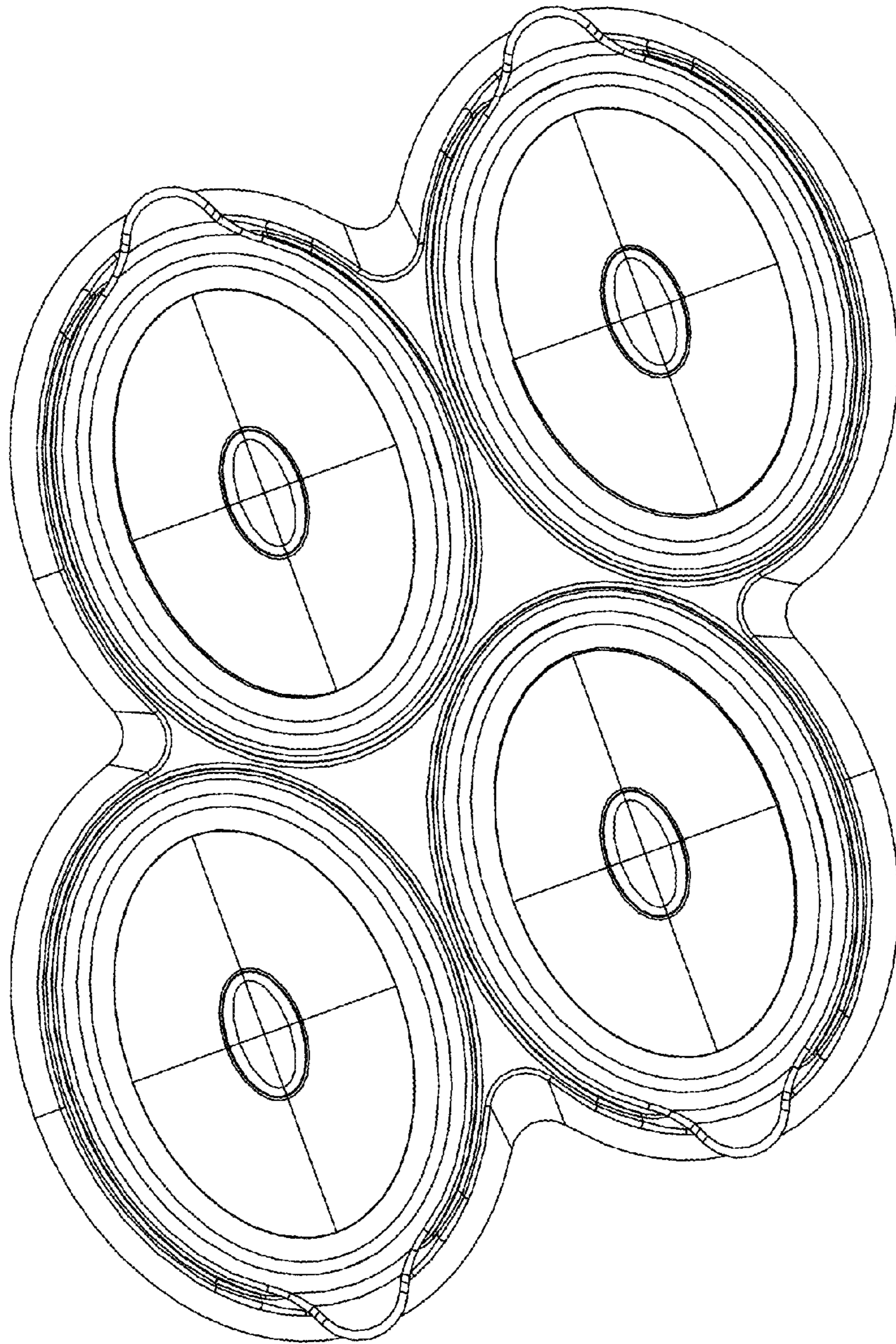


FIG. 13

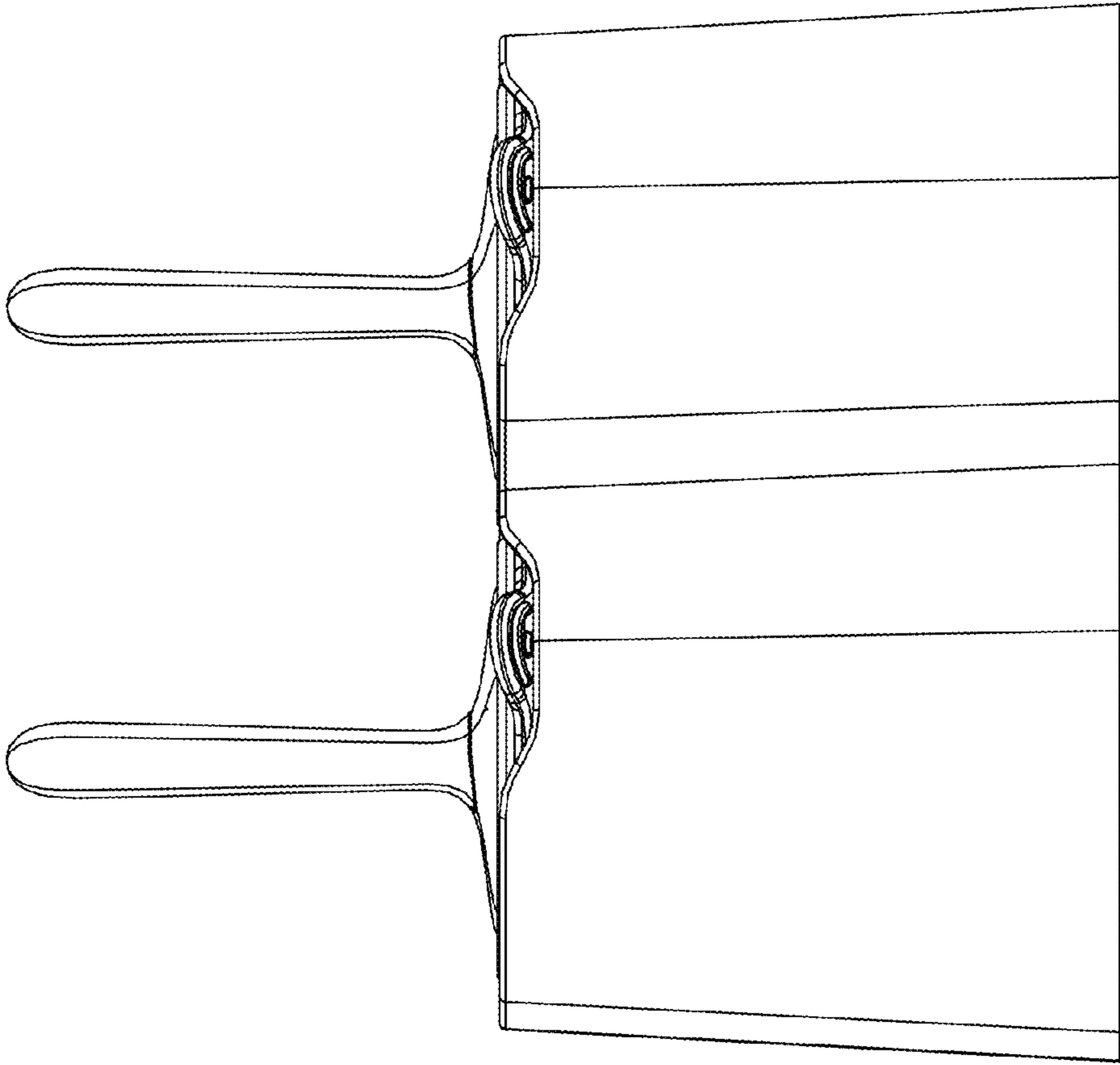


FIG. 14

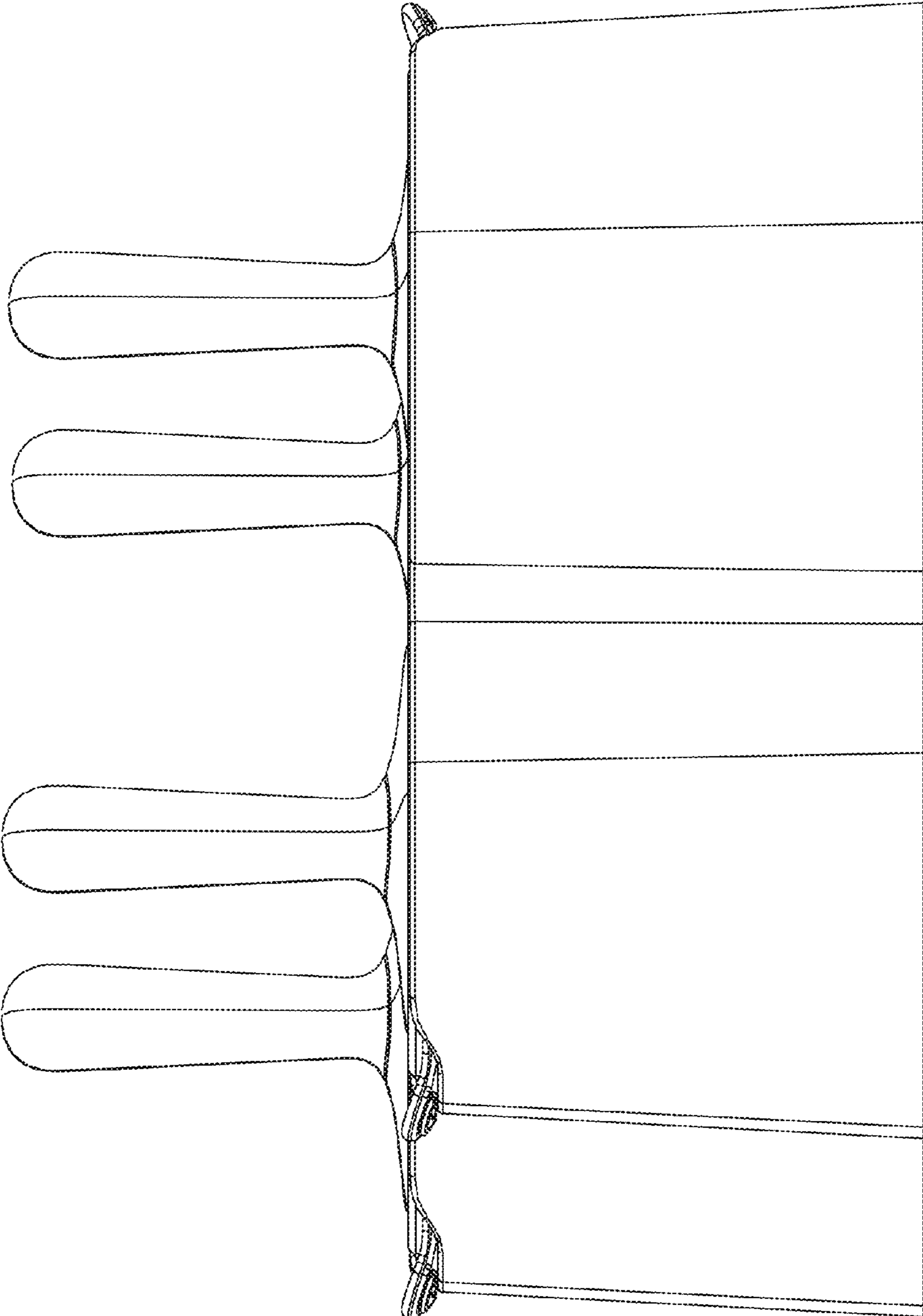


FIG. 15

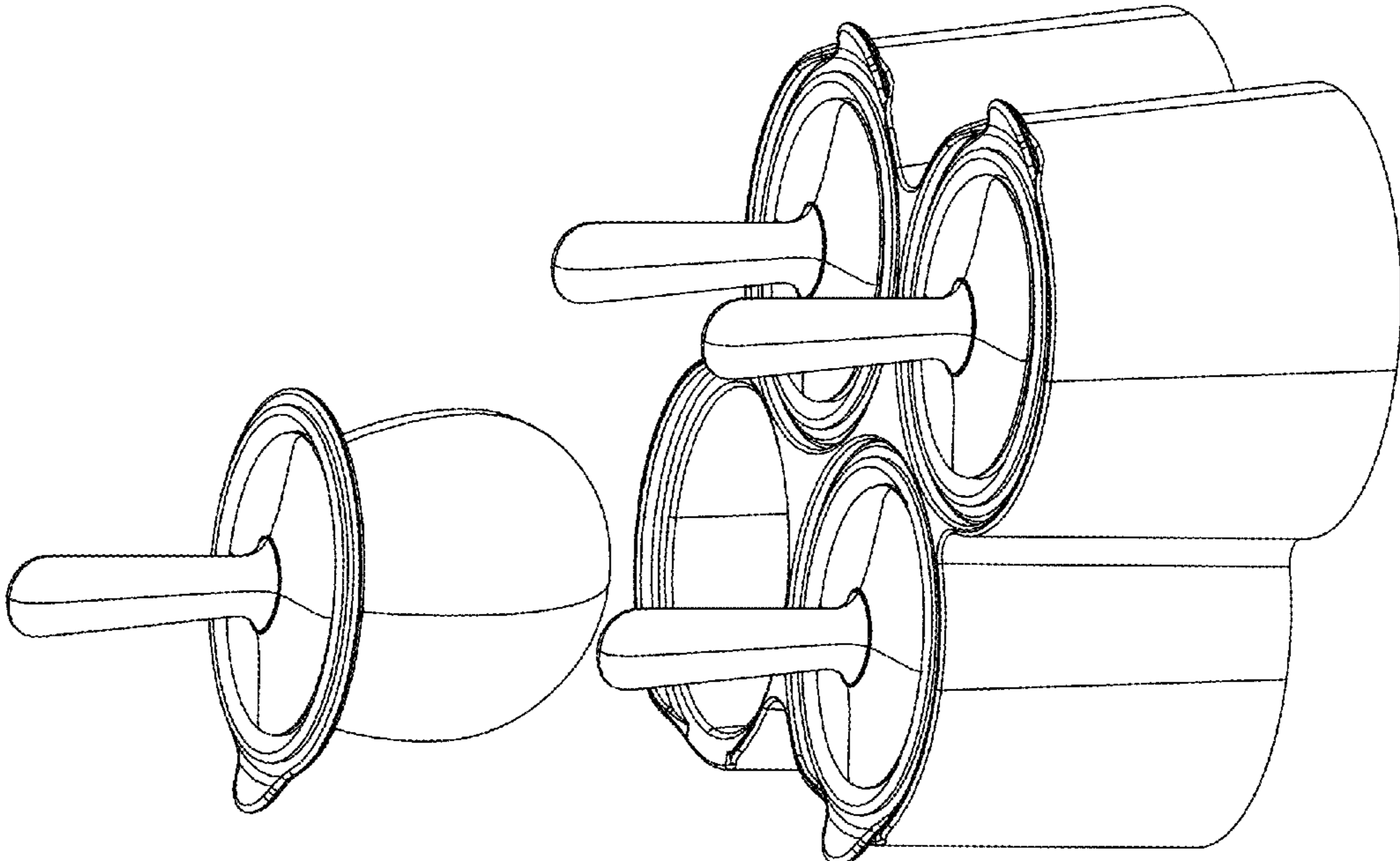


FIG. 16



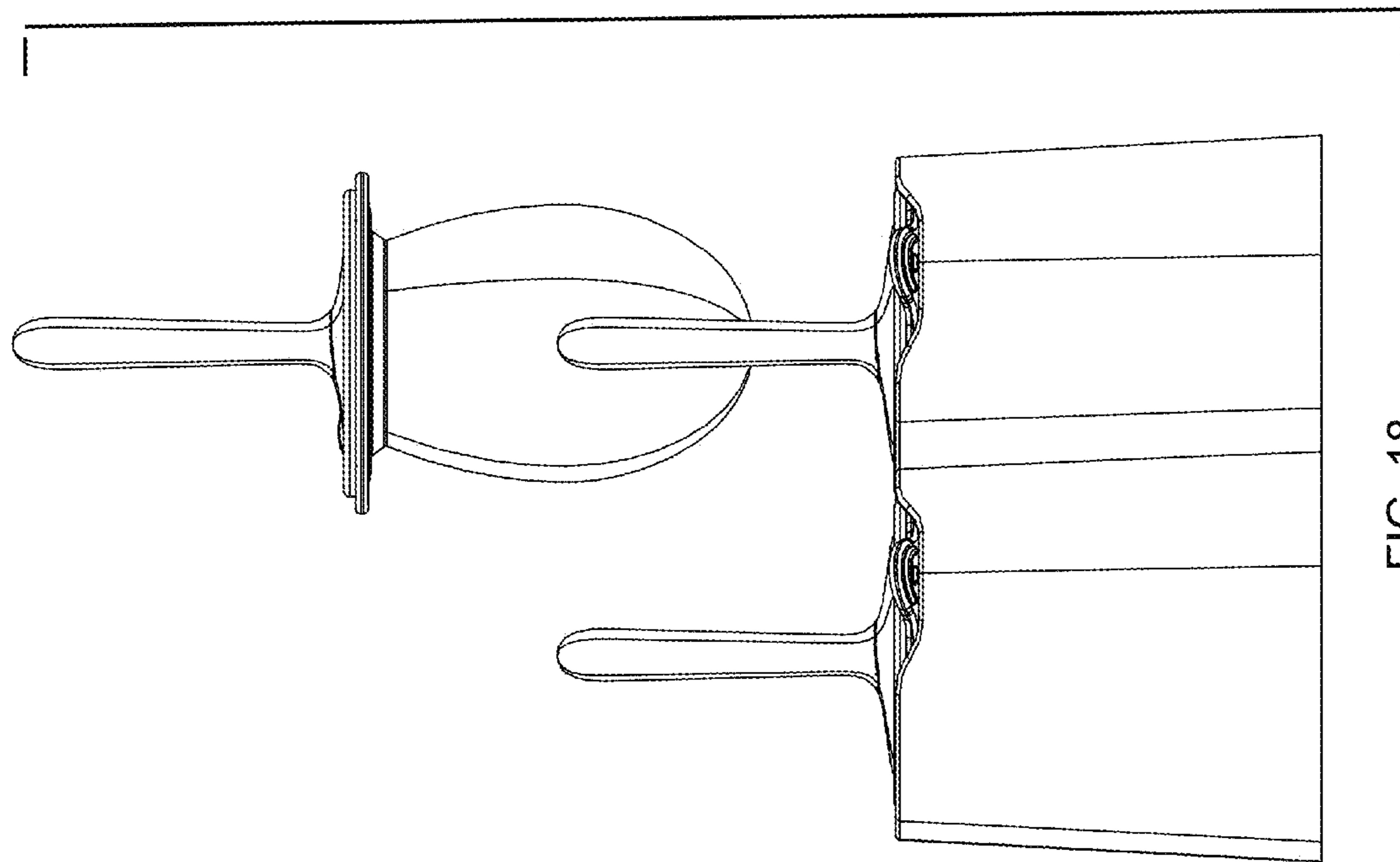


FIG. 18

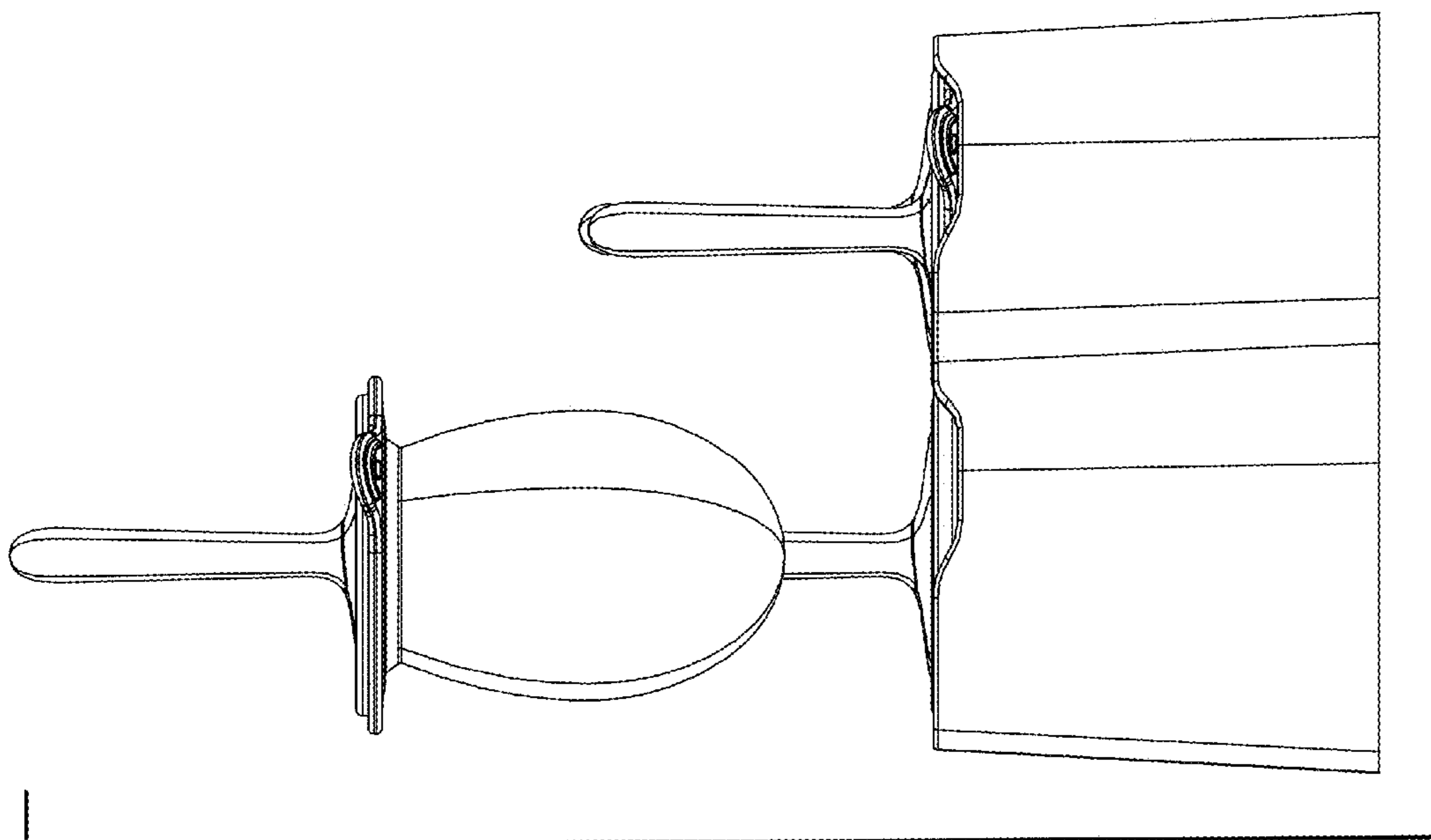


FIG. 17

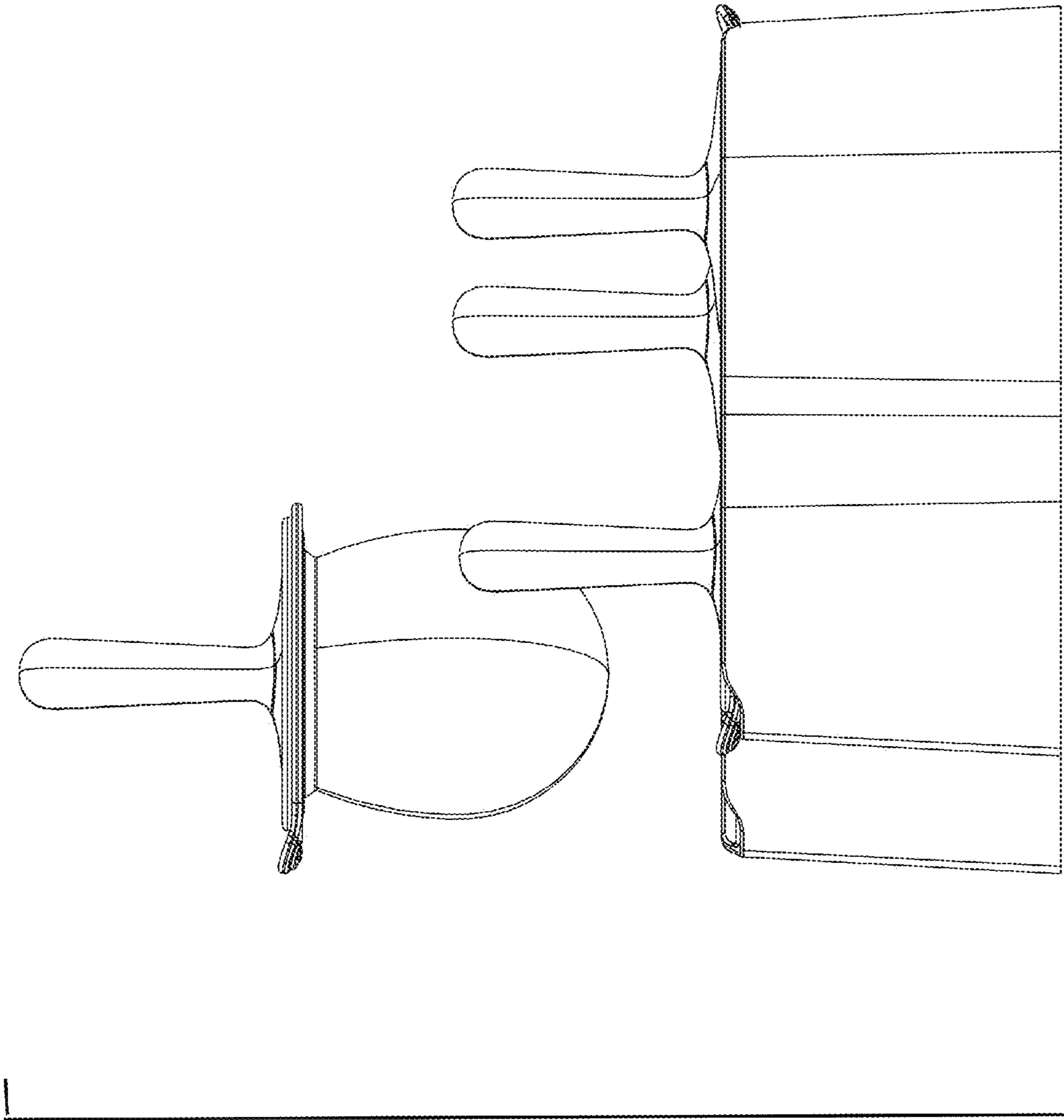


FIG. 19

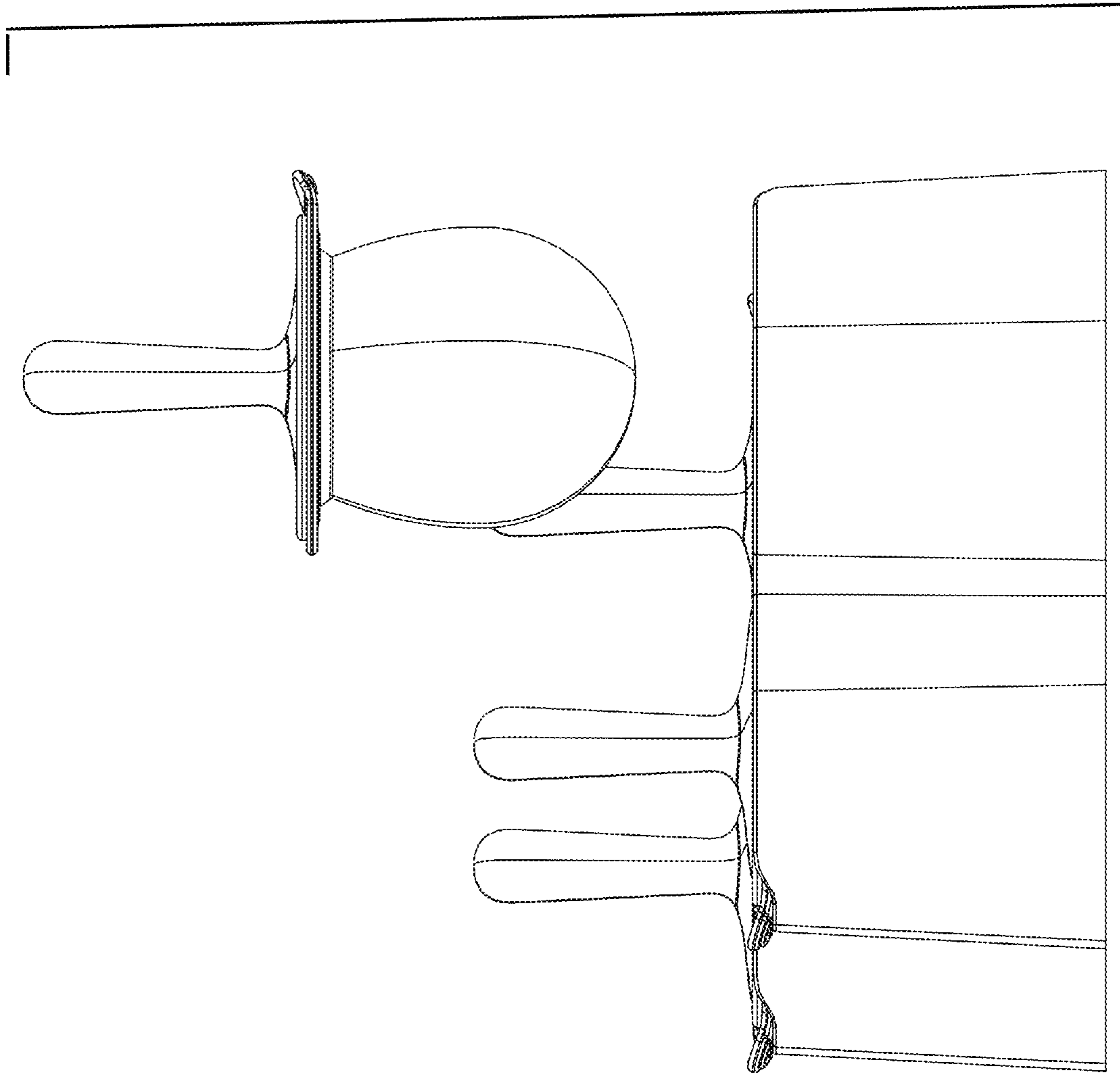


FIG. 20

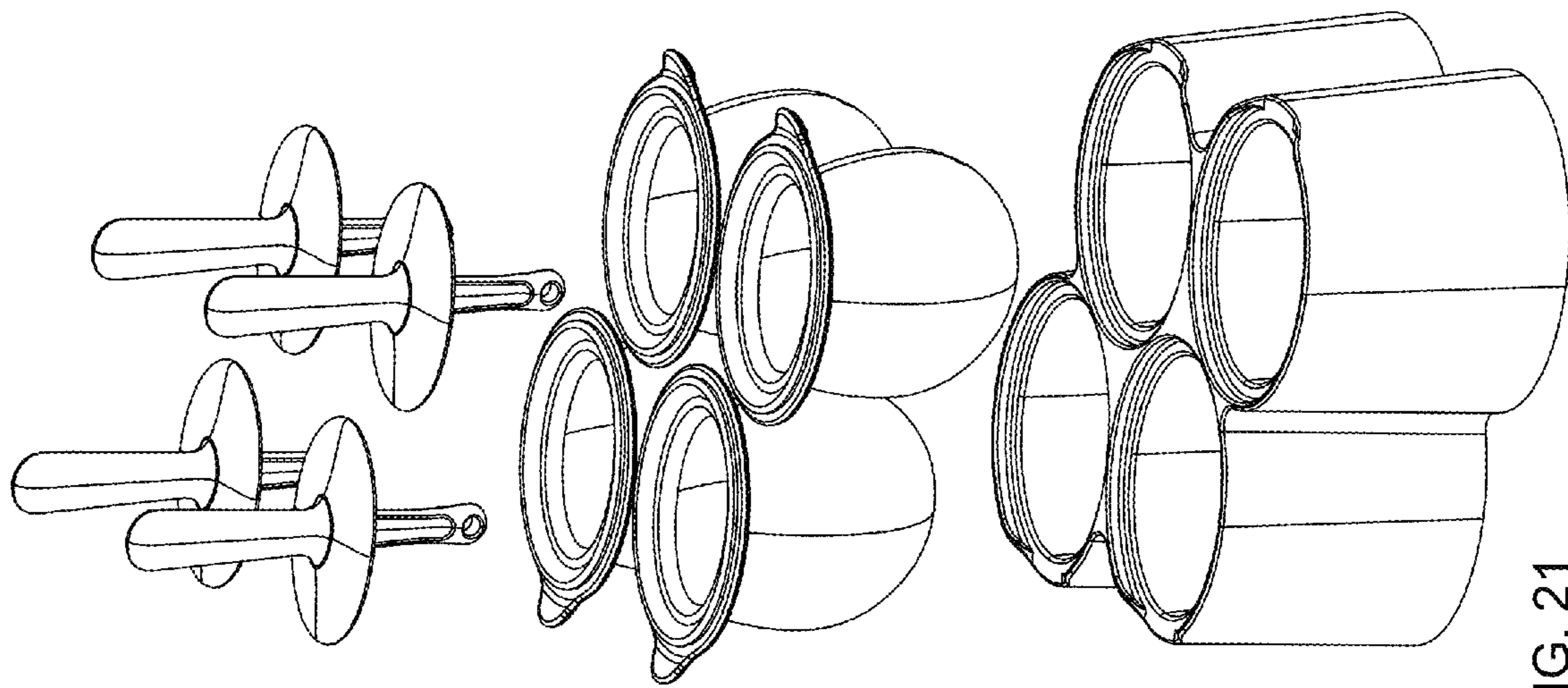


FIG. 21

