



US00D689746S

(12) **United States Design Patent**  
**Zorovich et al.**

(10) **Patent No.:** **US D689,746 S**

(45) **Date of Patent:** **\*\* Sep. 17, 2013**

(54) **ICE POP MAKER**

(71) Applicants: **Kenneth D. Zorovich**, Hoboken, NJ (US); **John C. Earle**, Annapolis, MD (US); **Yos Kumthampinij**, Edgewater, NJ (US); **William Nickley**, Jersey City, NJ (US)

(72) Inventors: **Kenneth D. Zorovich**, Hoboken, NJ (US); **John C. Earle**, Annapolis, MD (US); **Yos Kumthampinij**, Edgewater, NJ (US); **William Nickley**, Jersey City, NJ (US)

(73) Assignee: **Propeller, Inc.**, Hoboken, NJ (US)

(\*\*) Term: **14 Years**

(21) Appl. No.: **29/443,379**

(22) Filed: **Jan. 16, 2013**

(51) **LOC (9) Cl.** ..... **07-04**

(52) **U.S. Cl.**  
USPC ..... **D7/672**

(58) **Field of Classification Search**  
USPC ..... D7/672-677, 354, 323, 368, 669;  
D1/101, 102, 105, 127; 249/91-93, 121,  
249/119, 133, 140, 120, 137, 139, 115, 117,  
249/134; D15/90; 62/345, 356, 457.1;  
425/118, 26.2, DIG. 249; 294/87.11  
See application file for complete search history.

(56) **References Cited**

U.S. PATENT DOCUMENTS

1,505,592	A	8/1924	Epperson	
1,987,945	A *	1/1935	Schnaler	249/92
2,317,067	A *	4/1943	Knaust	229/117.12
2,591,261	A *	4/1952	Holahan	249/92
2,946,207	A *	7/1960	Hulterstrum	249/92
D188,992	S *	10/1960	Morrison	D7/672

3,411,463	A *	11/1968	Moseres	249/92
4,239,175	A *	12/1980	Straubinger	249/92
D269,578	S *	7/1983	Straubinger	D7/672
5,354,191	A *	10/1994	Bobis	425/118
6,109,056	A	8/2000	Feldpausch	
6,301,919	B1 *	10/2001	Blaustein et al.	62/345
6,425,438	B1	7/2002	Hahn	
D592,911	S *	5/2009	Buchanan	D7/605
D626,384	S	11/2010	Zorovich et al.	
2010/0183789	A1	7/2010	Zorovich et al.	

\* cited by examiner

*Primary Examiner* — Terry Wallace

(74) *Attorney, Agent, or Firm* — Greenberg Traurig, LLP

(57) **CLAIM**

The ornamental design for an ice pop maker, as shown and described.

**DESCRIPTION**

FIG. 1 is a top perspective view of an ice pop maker showing our new design.

FIG. 2 is a bottom perspective view thereof.

FIG. 3 is a top plan view thereof.

FIG. 4 is a bottom plan view thereof.

FIG. 5 is a right side view thereof, the left side view being identical.

FIG. 6 is a front view thereof, the rear view being identical.

FIG. 7 is an exploded top perspective view thereof showing associated molding cavities being inverted and an associated ice pop stick being removed therefrom.

FIG. 8 is a top perspective view thereof showing associated ice pop sticks inserted therein.

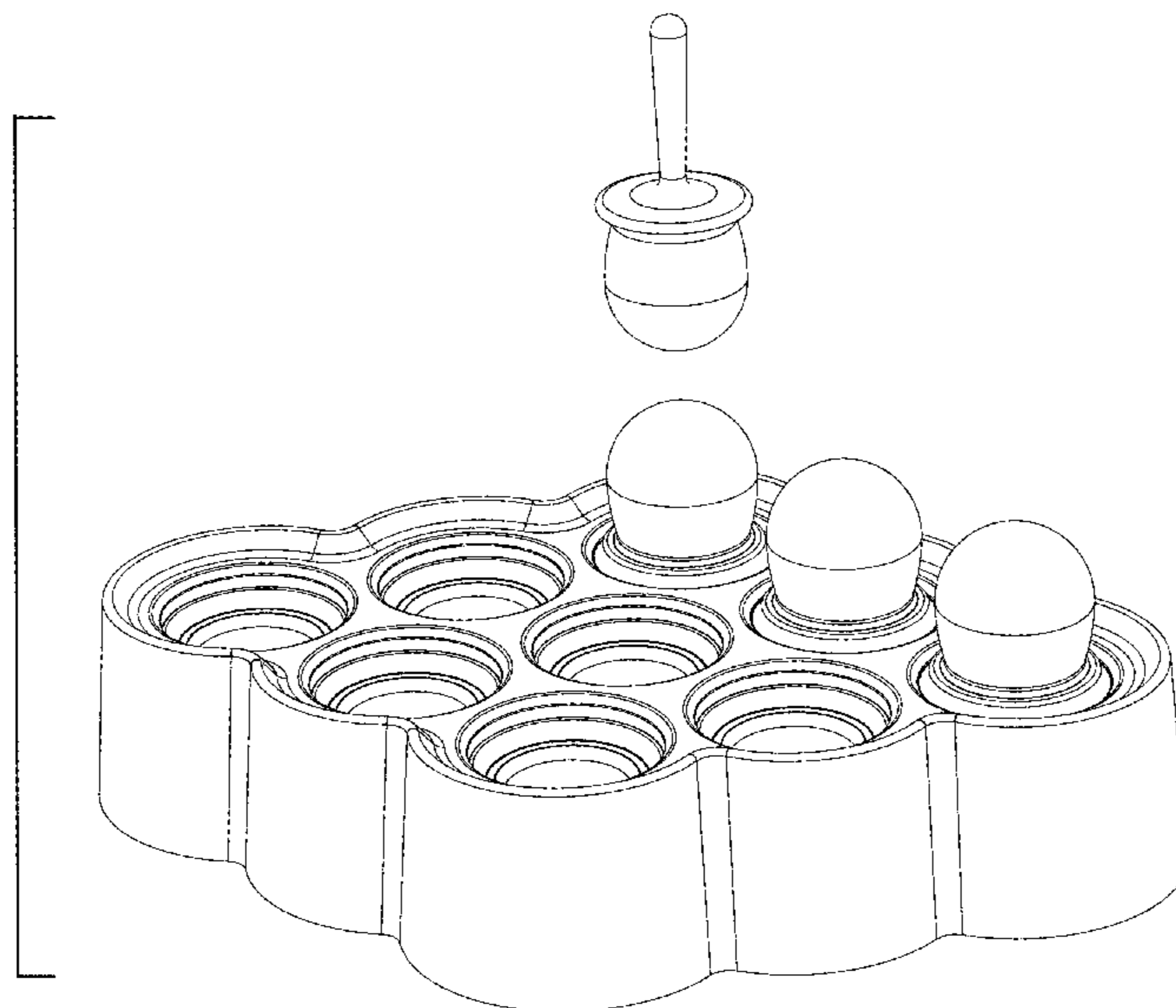
FIG. 9 is a top plan view of FIG. 8.

FIG. 10 is a right side view of FIG. 8, the left side view being identical; and,

FIG. 11 is a front view of FIG. 8, the rear view being identical.

The ice pop maker in FIGS. 1-6 is shown without the sticks for ease of illustration.

**1 Claim, 11 Drawing Sheets**



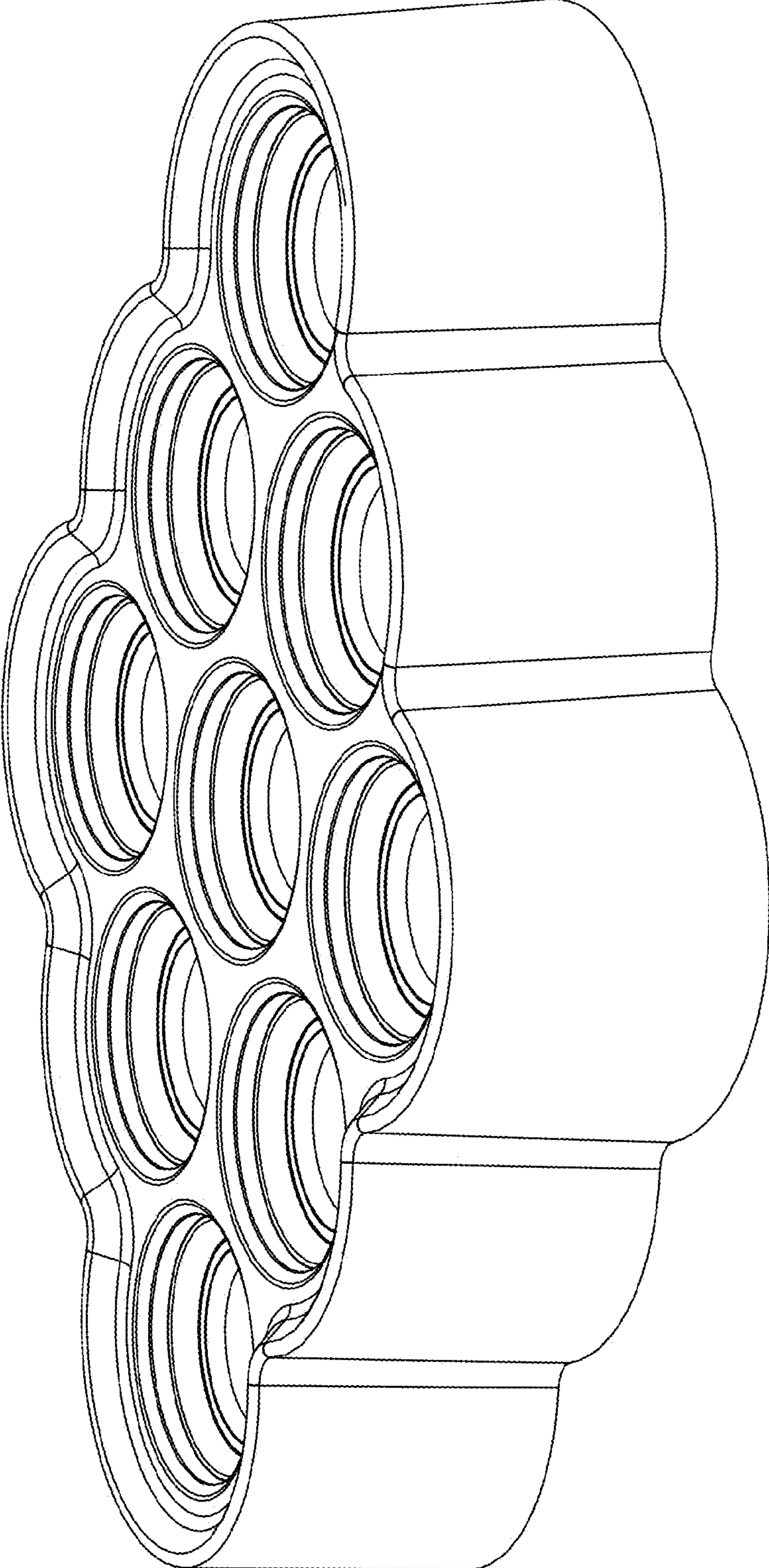


FIG. 1

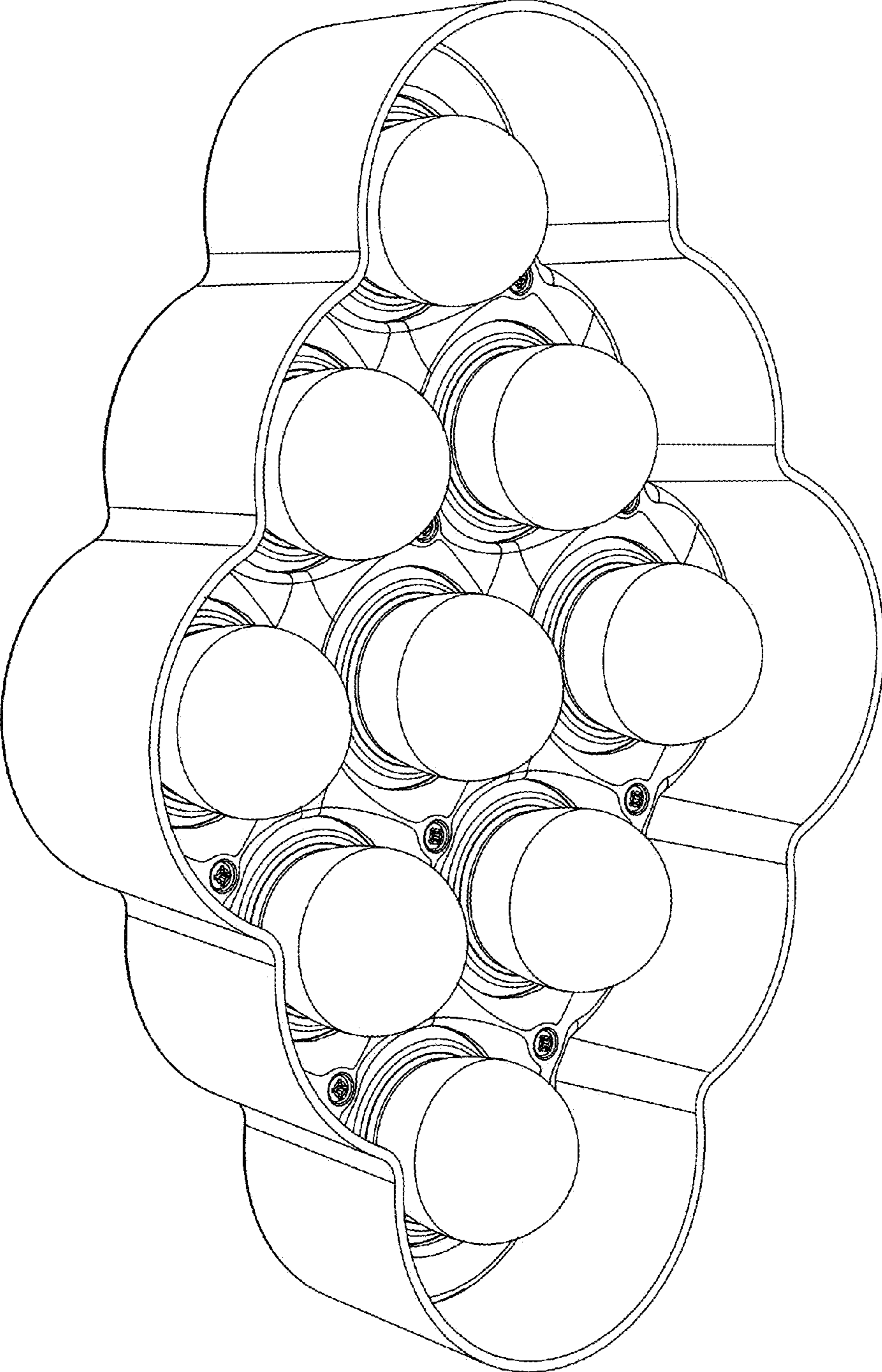


FIG. 2



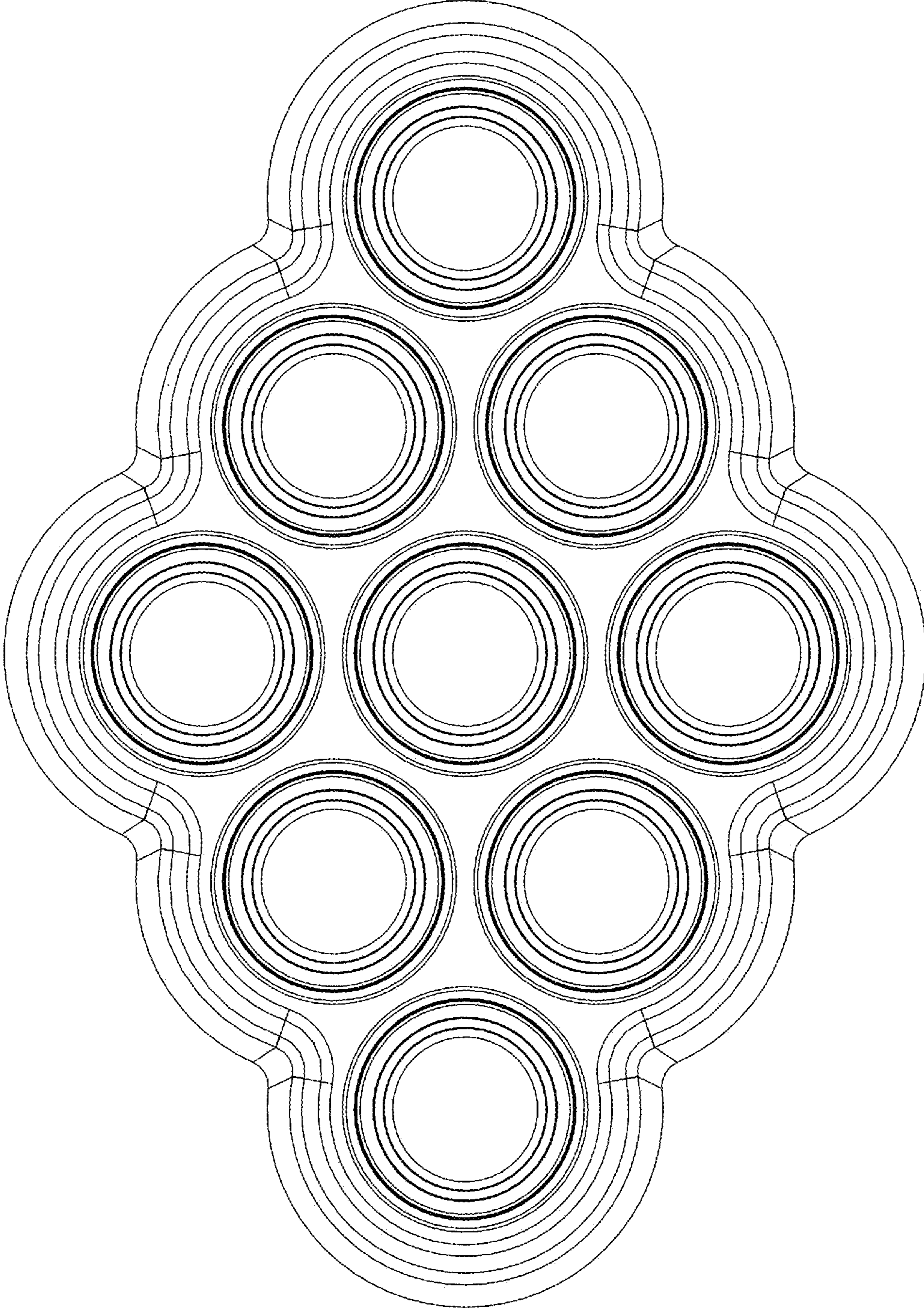


FIG. 3

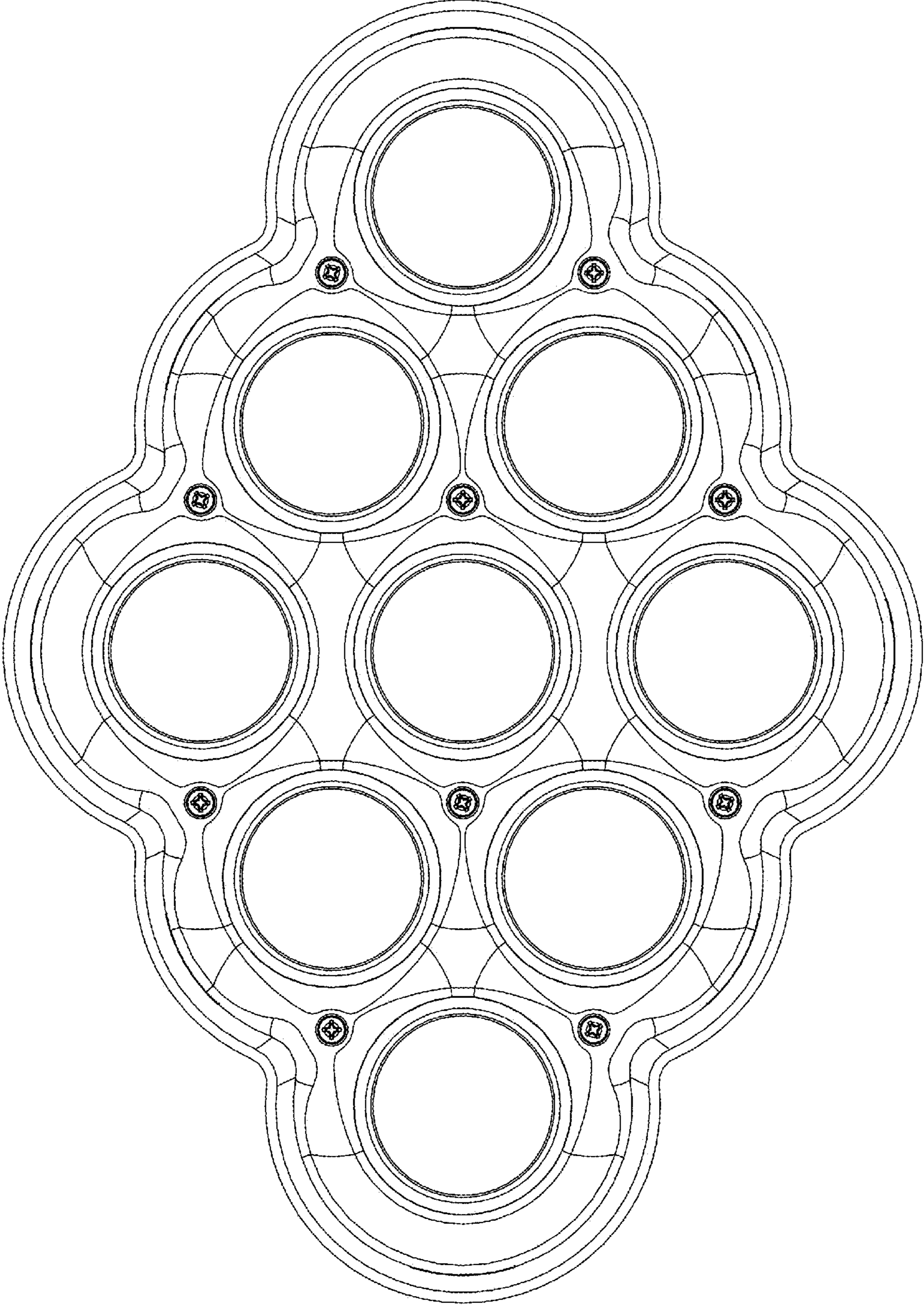


FIG. 4

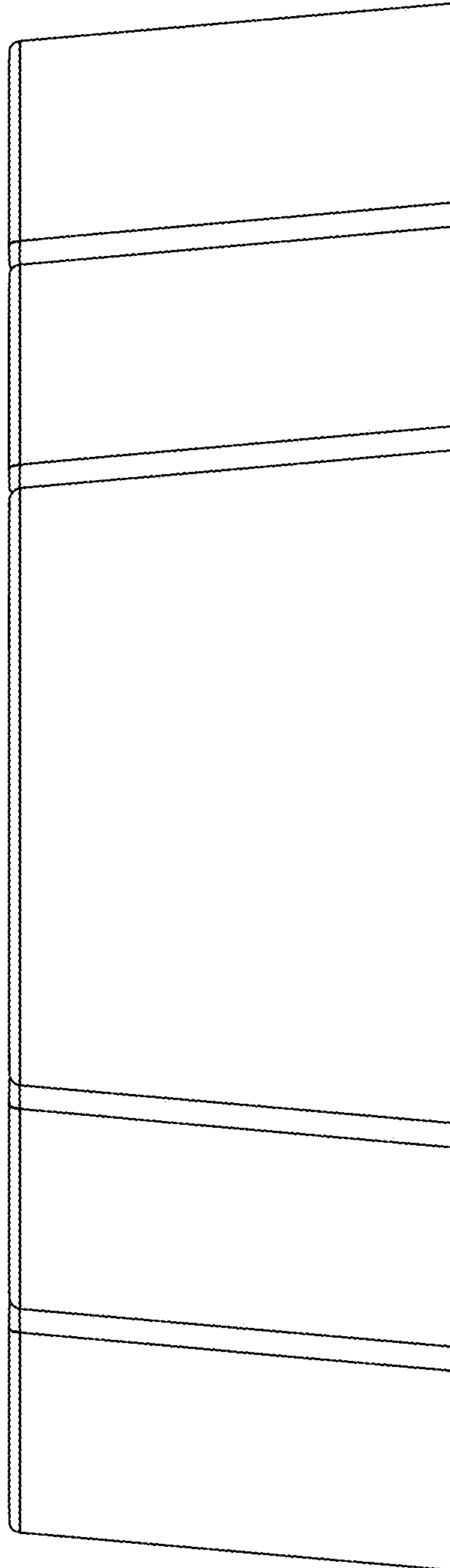


FIG. 5

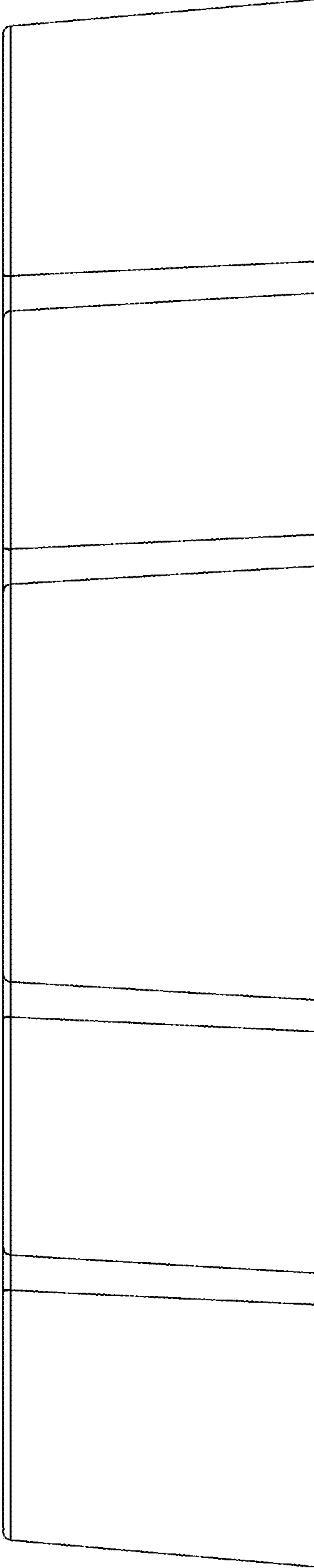


FIG. 6



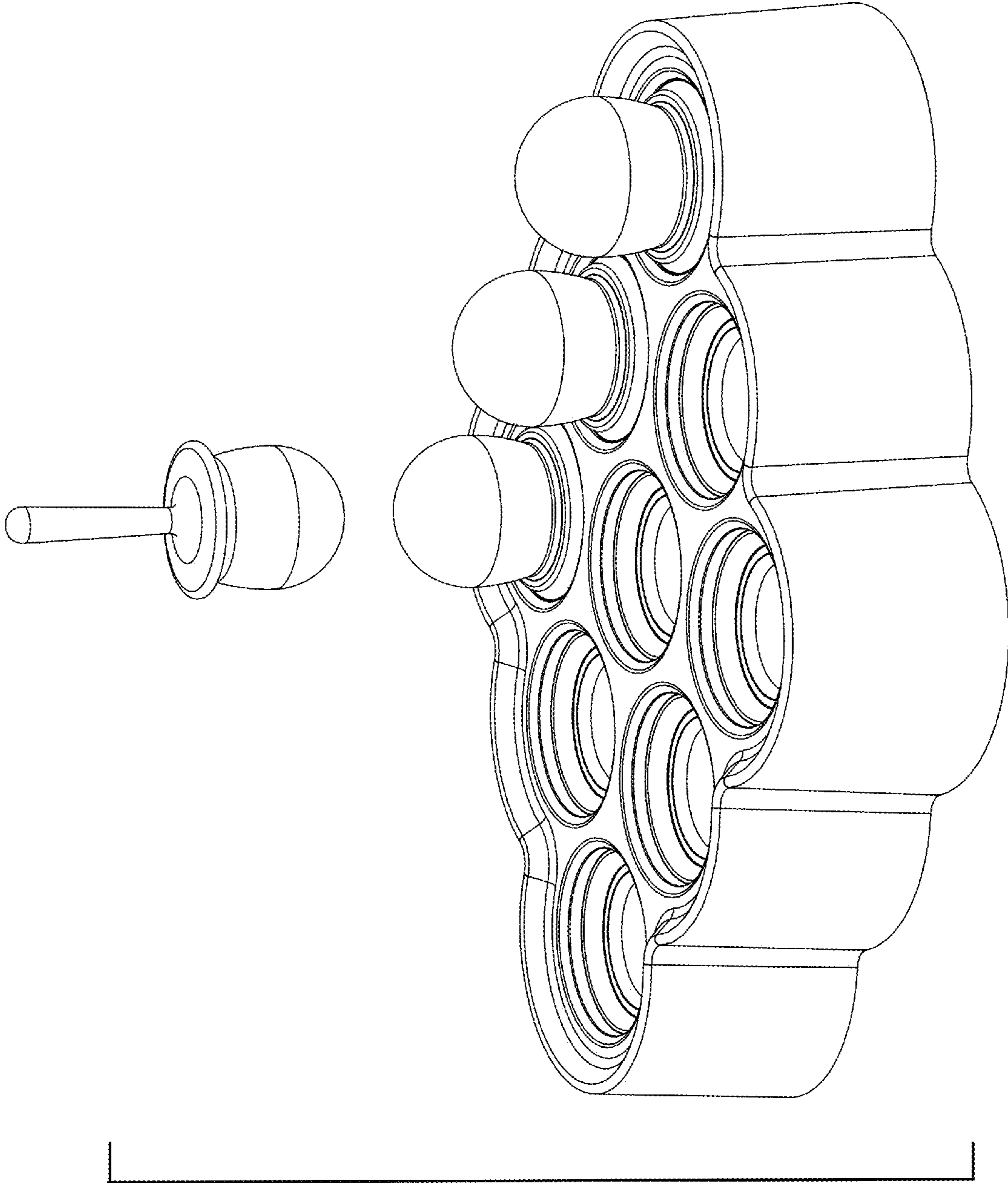


FIG. 7



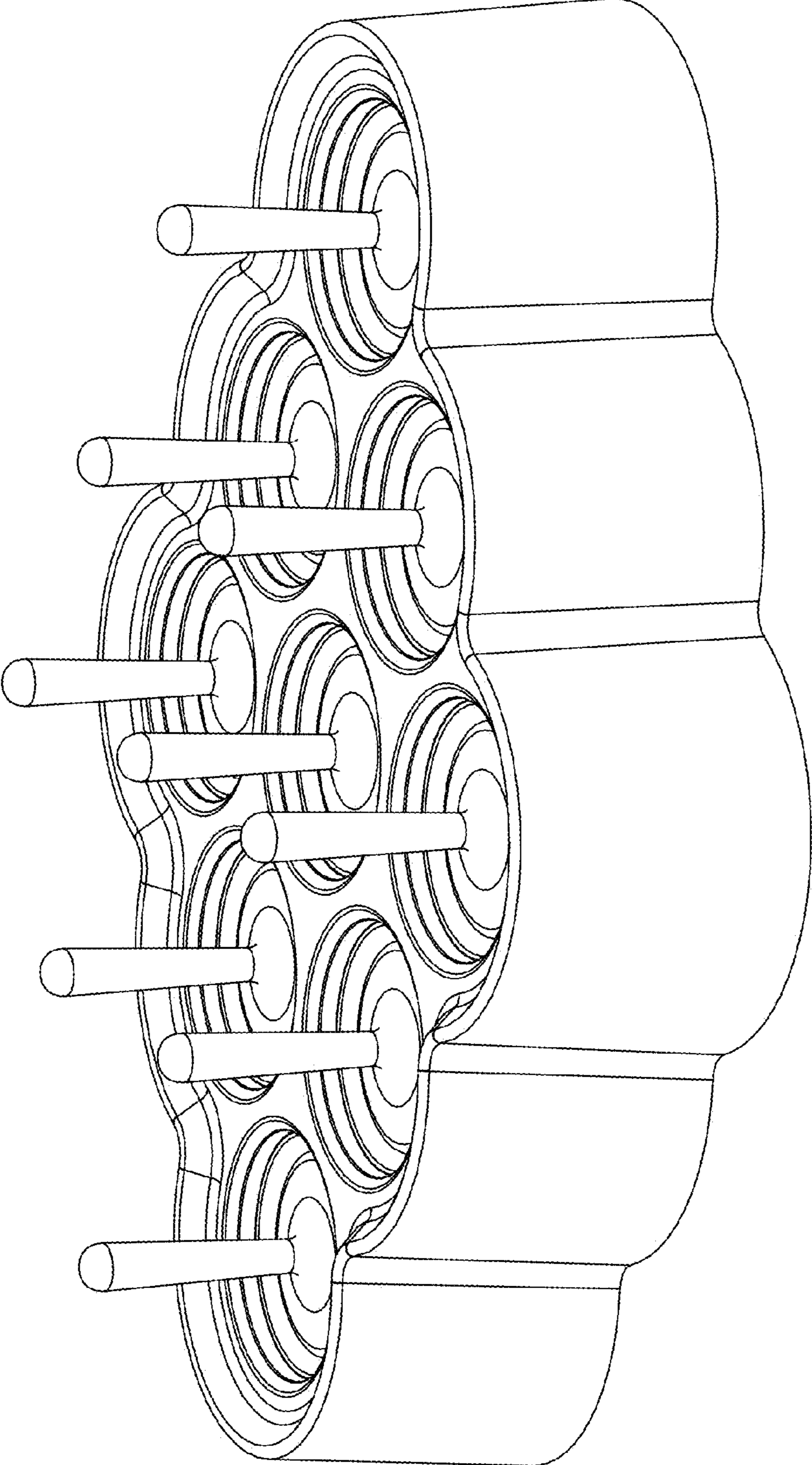


FIG. 8

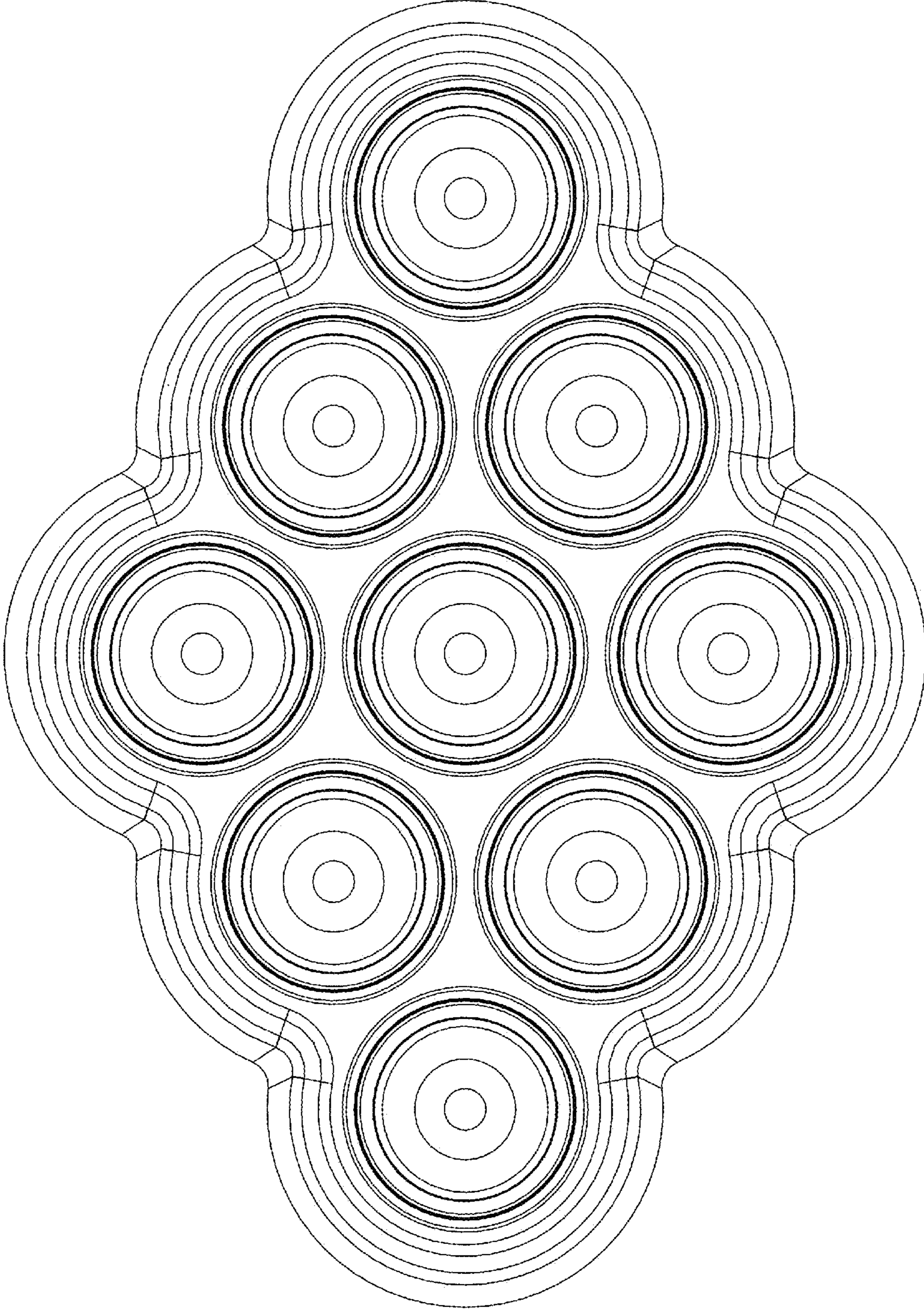


FIG. 9

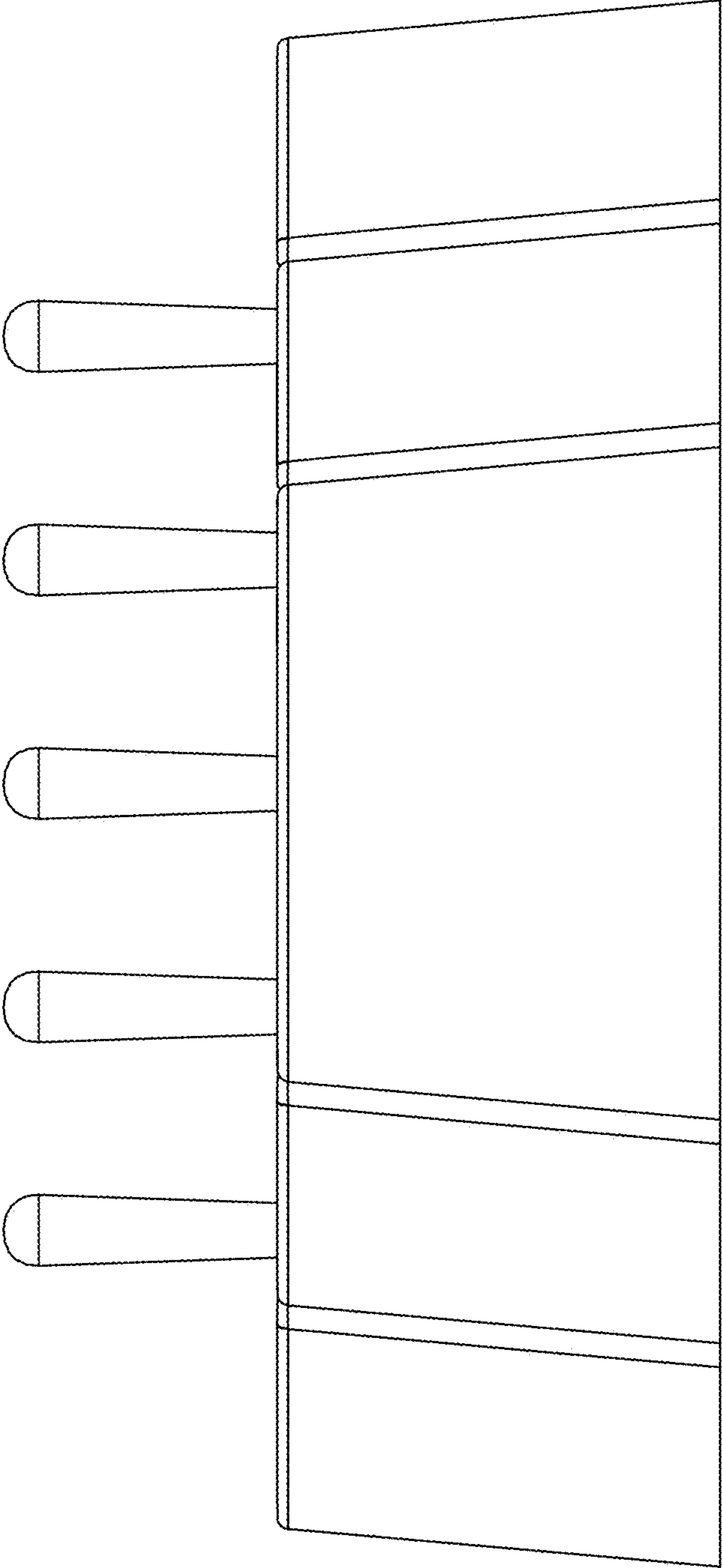


FIG. 10



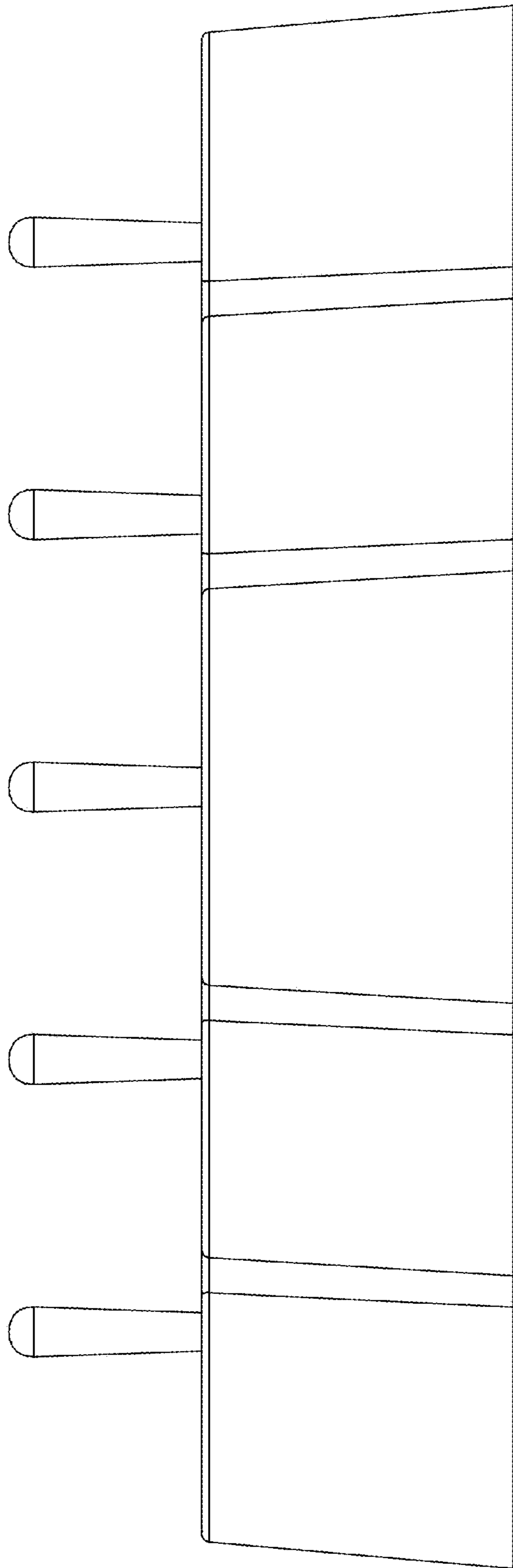


FIG. 11