



US00D689744S

(12) **United States Design Patent**  
**Tarantino et al.**

(10) **Patent No.:** **US D689,744 S**  
(45) **Date of Patent:** **\*\* Sep. 17, 2013**

- (54) **COMBINED UTENSIL REST AND CARD HOLDER**
- (75) Inventors: **Jay Tarantino**, Marion, OH (US);  
**Jeanine Tarantino**, Marion, OH (US);  
**William P. Camp, Jr.**, Vanlue, OH (US)
- (73) Assignee: **Ivan Mudd LLC**, Marion, OH (US)
- (\*\*) Term: **14 Years**
- (21) Appl. No.: **29/424,569**
- (22) Filed: **Jun. 13, 2012**
- (51) **LOC (9) Cl.** ..... **07-06**
- (52) **U.S. Cl.**  
USPC ..... **D7/637**; D19/86
- (58) **Field of Classification Search**  
USPC ..... D7/637, 388, 638-642, 601, 145,  
D7/152, 73, 74, 76; D19/20, 21, 27, 86,  
D19/75, 91; D20/15, 40, 43; D6/534, 469,  
D6/396, 420, 466; D9/430, 433, 431; 206/553;  
211/60.1, 70.1, 70.6, 70.7, 88.01, 65, 13.1,  
211/69.1; 248/152, 174, 176.1, 37.3, 37.6,  
248/110; D34/5, 6; 40/122, 120, 124, 124.4  
See application file for complete search history.

4,834,328	A	5/1989	Hall	
4,858,863	A	8/1989	Lin	
D304,206	S *	10/1989	Sawatsky et al.	D19/86
D320,332	S	10/1991	Fetty	
5,203,940	A *	4/1993	Krone	156/196
5,373,939	A *	12/1994	Bloomgren	206/341
D356,822	S *	3/1995	Volk	D19/35
D362,687	S *	9/1995	Kirchhoff et al.	D19/92
D362,688	S *	9/1995	Wolff	D19/92
D390,062	S *	2/1998	Bohannon	D7/359
D408,229	S	4/1999	Hong	
D436,377	S *	1/2001	Young et al.	D19/78
6,604,714	B1	8/2003	Hall	
D496,692	S *	9/2004	Haruhiro	D19/92
D504,587	S *	5/2005	Root	D6/534
6,994,304	B2	2/2006	Kim et al.	
7,266,865	B1	9/2007	Rodin	
D579,278	S *	10/2008	Umnitz	D7/637
7,975,857	B2	7/2011	Restis et al.	
2011/0114533	A1	5/2011	Le	

\* cited by examiner

*Primary Examiner* — Ian Simmons  
*Assistant Examiner* — Shannon Weekley  
(74) *Attorney, Agent, or Firm* — Fraser Clemens Martin & Miller LLC; Jacob M. Ward

(57) **CLAIM**  
The ornamental design for a combined utensil rest and card holder, as shown and described.

(56) **References Cited**

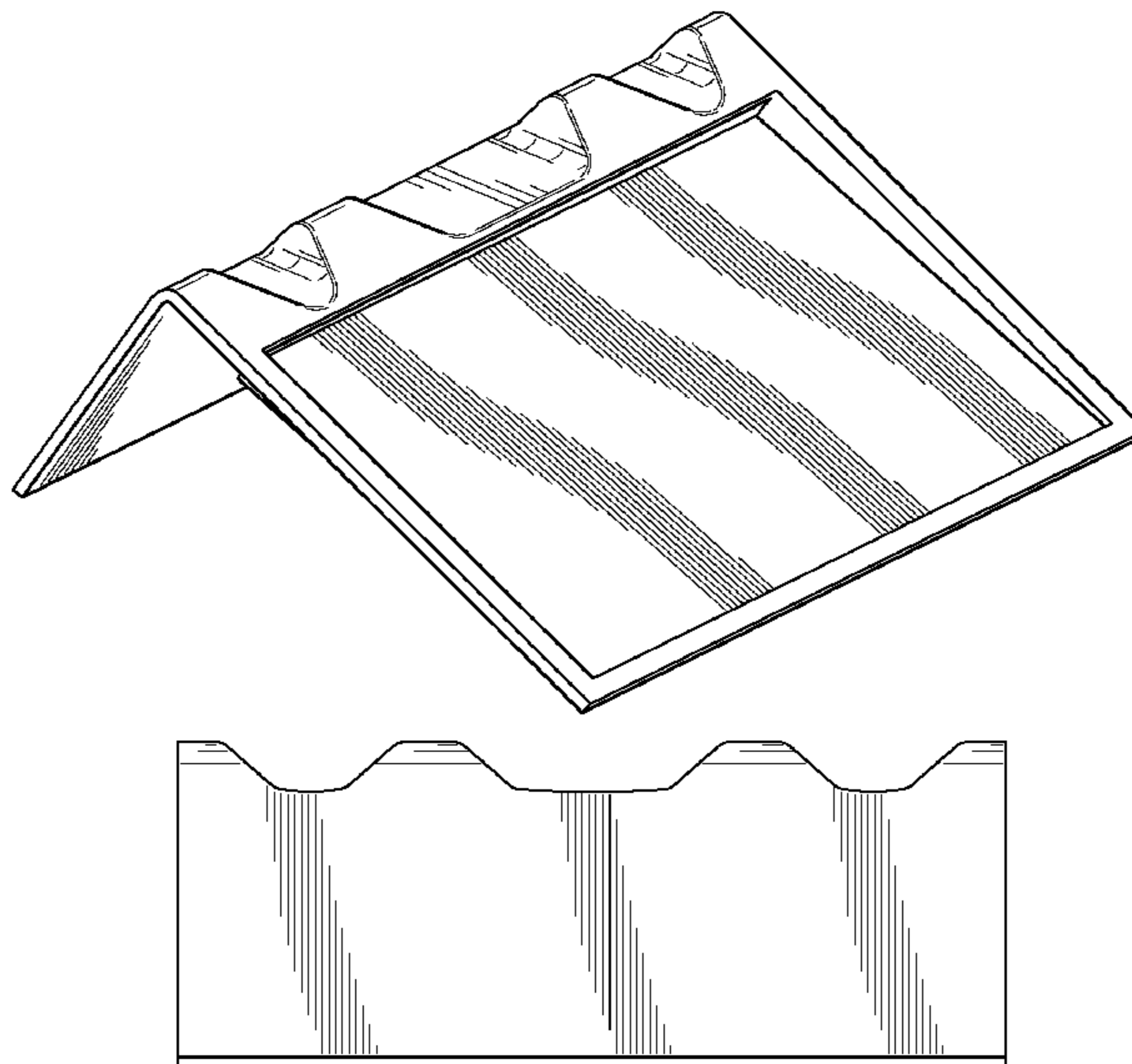
U.S. PATENT DOCUMENTS

1,182,732	A	5/1916	Avery	
2,176,149	A *	10/1939	Redfern et al.	269/54.2
D136,660	S *	11/1943	Kiser	D19/78
2,664,005	A	12/1953	Kosinski	
D194,411	S *	1/1963	Goldsmith	D19/22
3,226,863	A *	1/1966	Southard	40/120
3,305,205	A *	2/1967	Frankl	248/459
3,370,368	A *	2/1968	Paschal	40/120
D258,469	S *	3/1981	Lee	D27/189
D288,826	S *	3/1987	Johansson	D19/78
D292,861	S *	11/1987	Dorper	D7/639

**DESCRIPTION**

FIG. 1 is a front perspective view of the combined utensil rest and card holder showing our new design; FIG. 2 is a front elevational view thereof; FIG. 3 is a rear elevational view thereof; FIG. 4 is a top plan view thereof; FIG. 5 is a bottom plan view thereof; and, FIG. 6 is a right side elevational view thereof, the left side elevational view being an identical mirror image thereof.

**1 Claim, 4 Drawing Sheets**



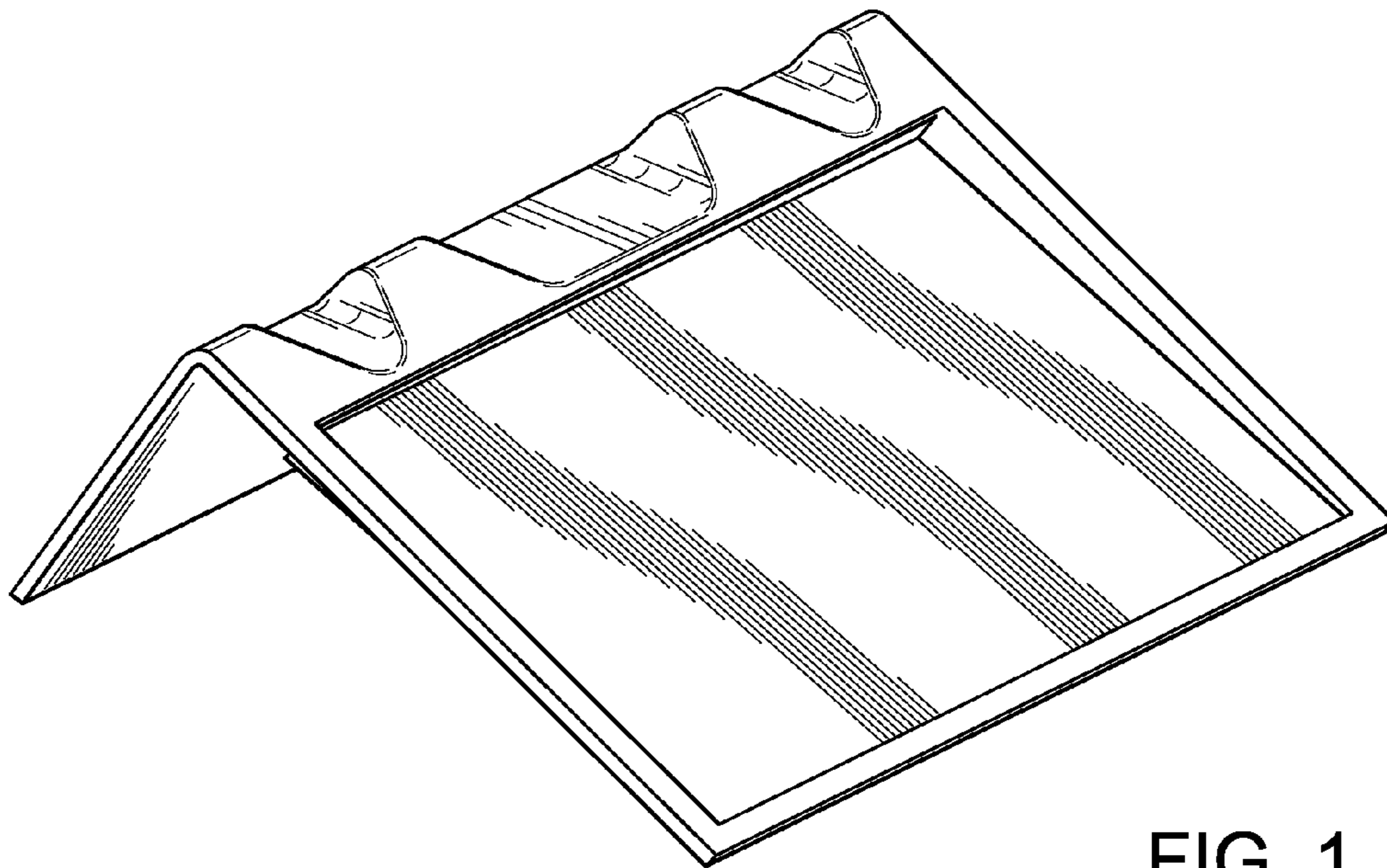


FIG. 1

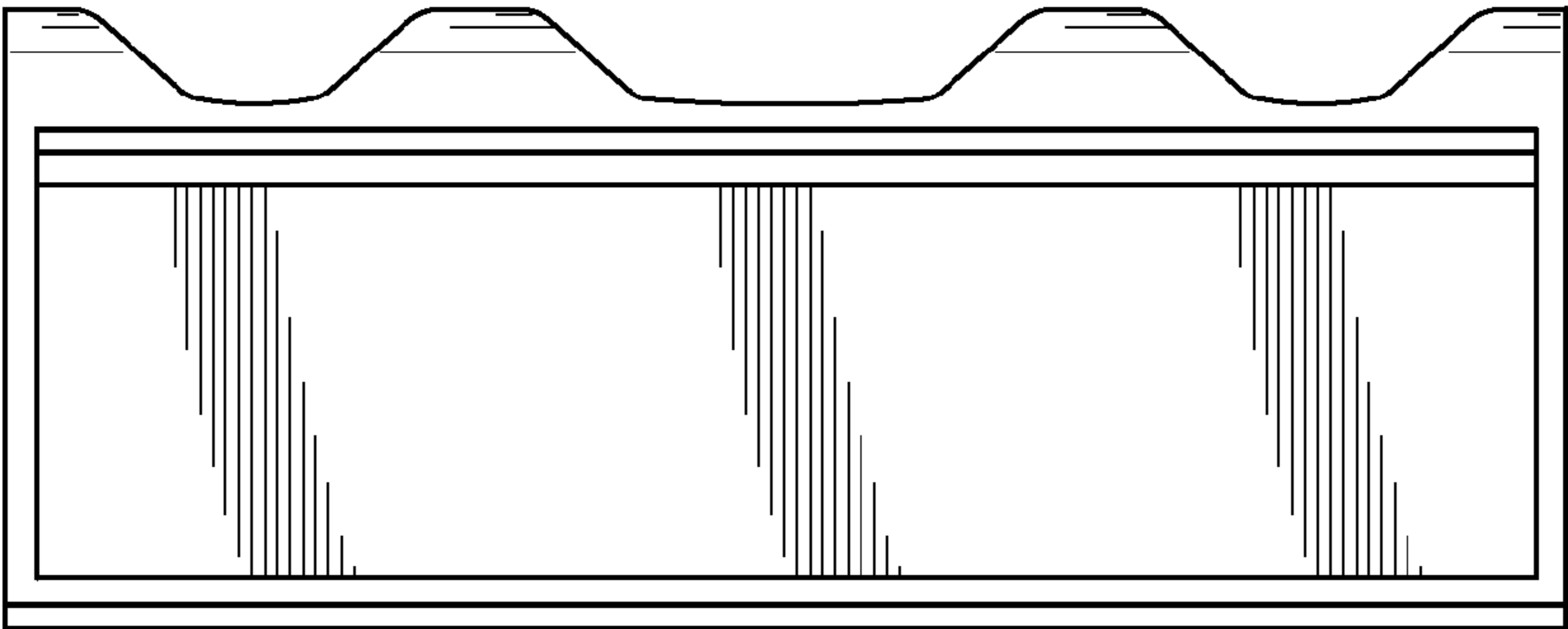


FIG. 2

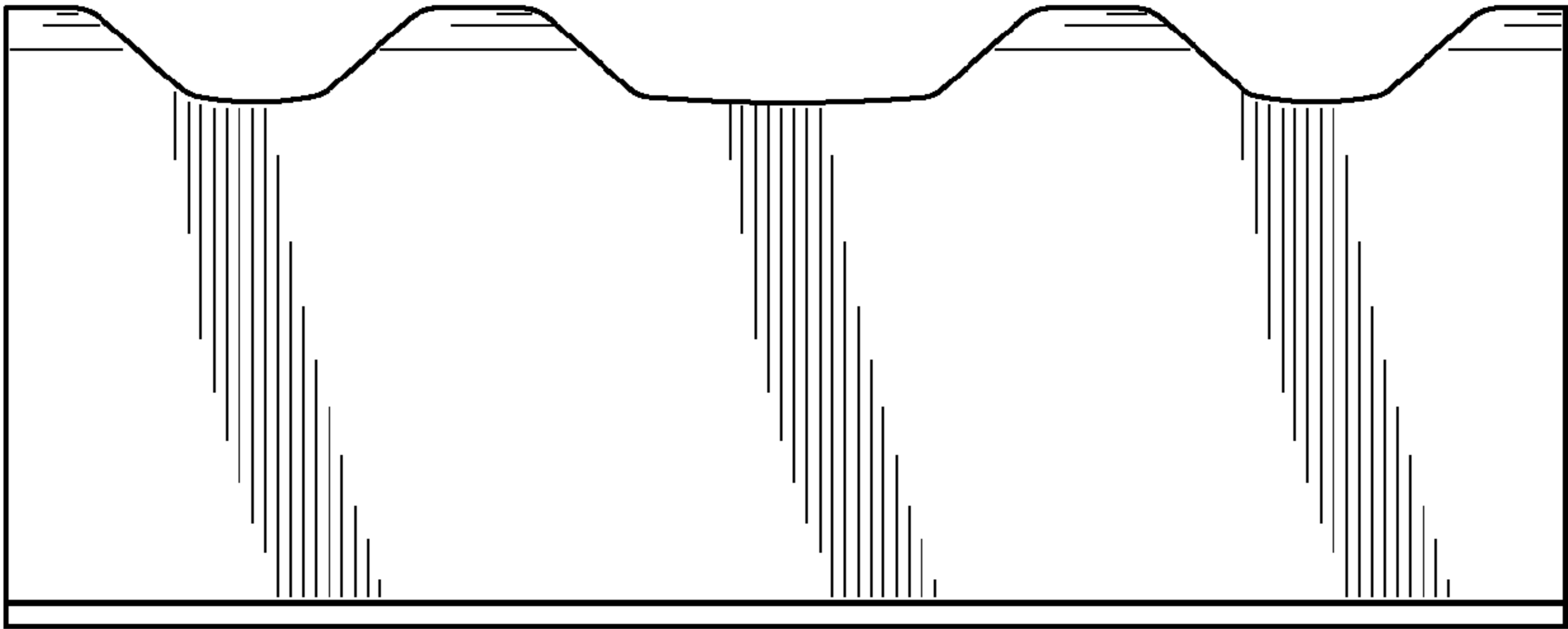


FIG. 3

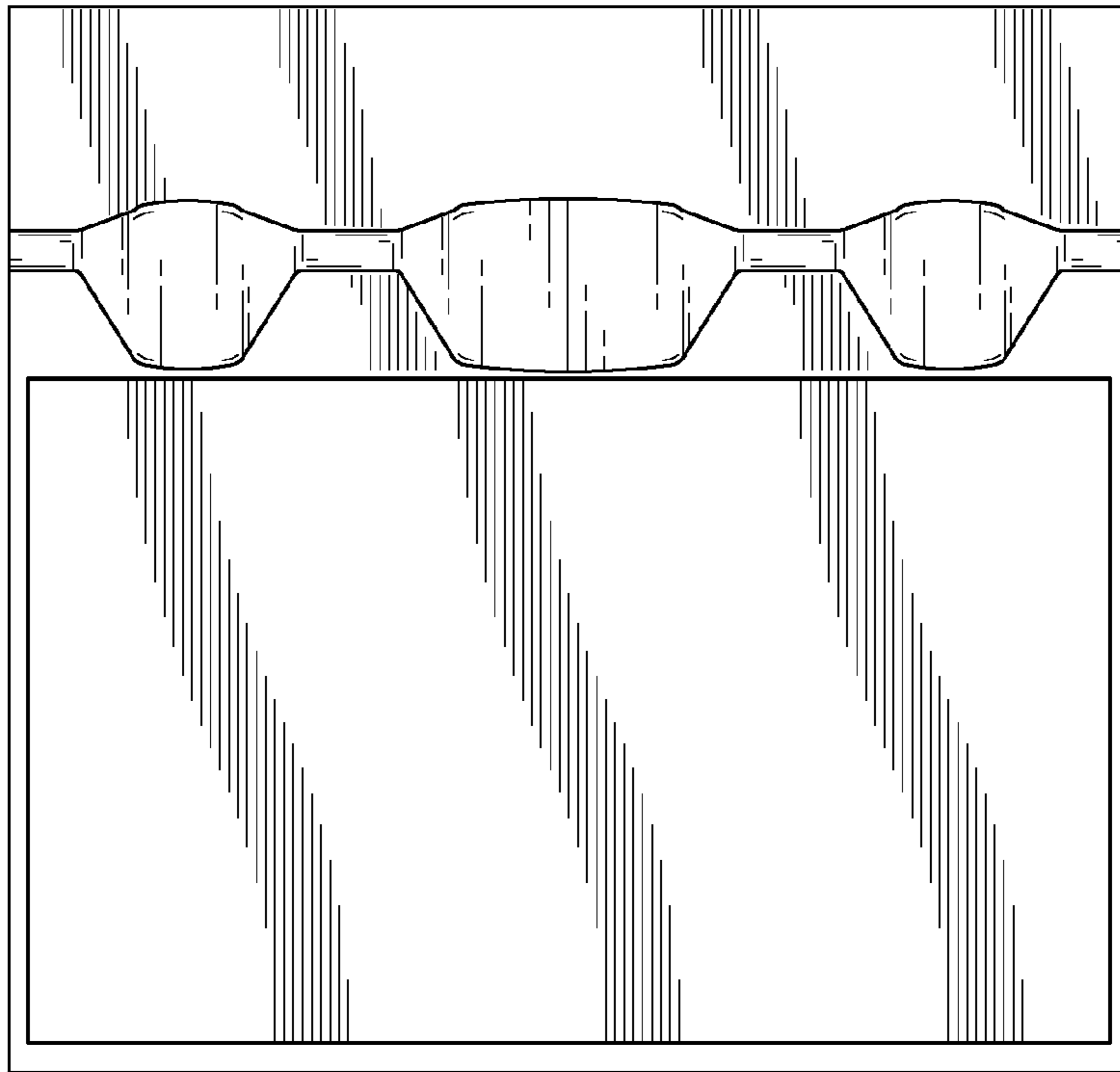


FIG. 4

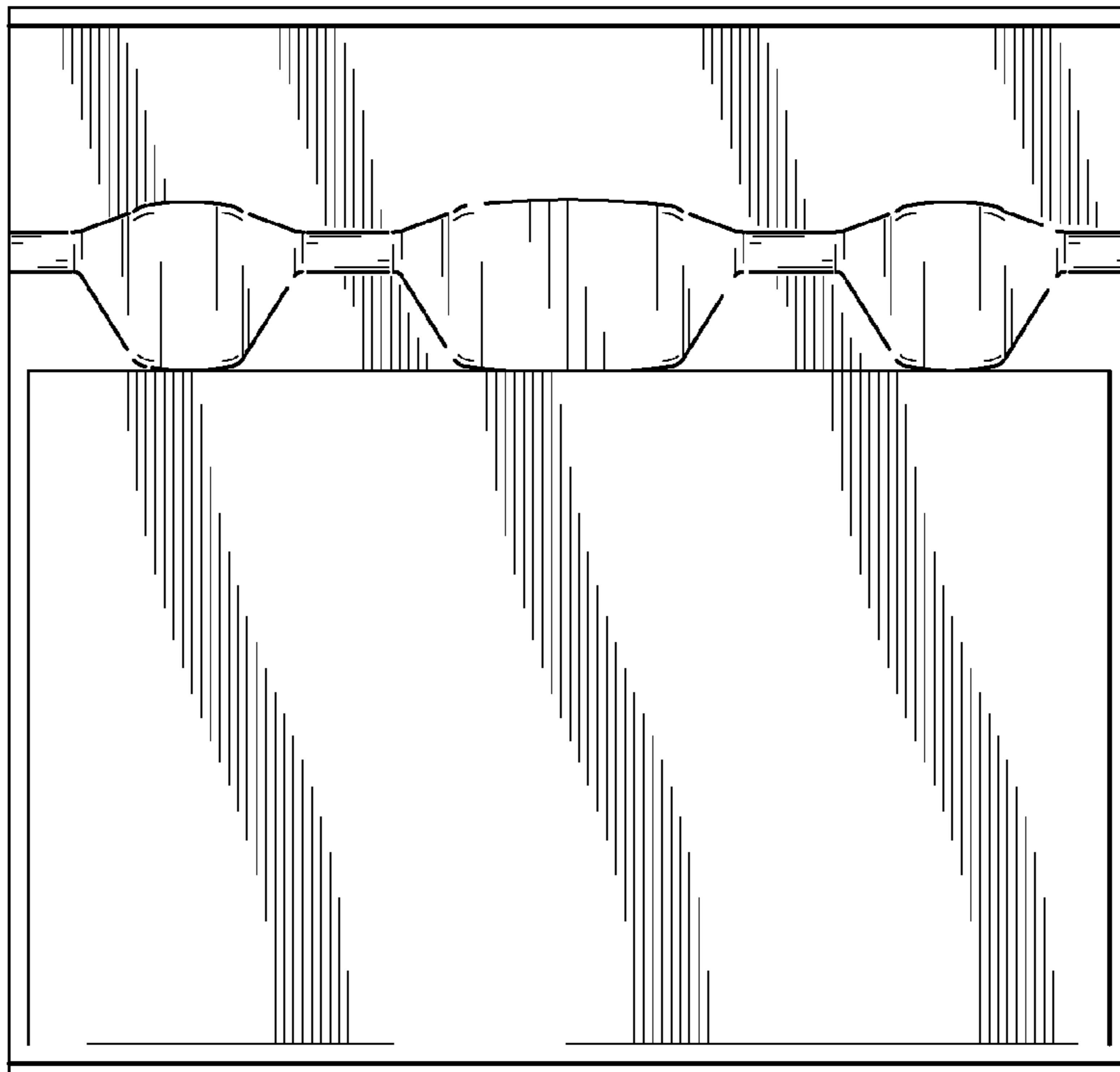


FIG. 5

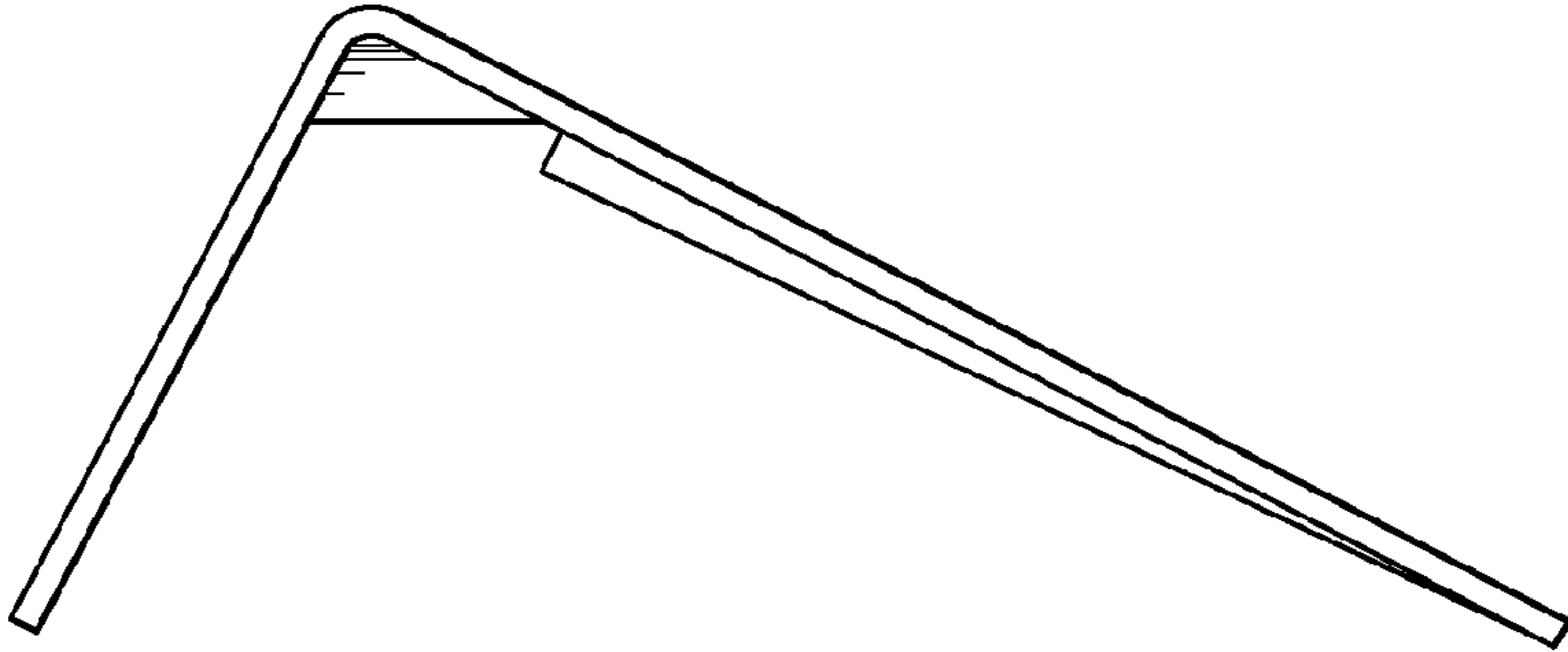


FIG. 6