



US00D689741S

(12) **United States Design Patent**
Wang

(10) **Patent No.:** **US D689,741 S**

(45) **Date of Patent:** **** Sep. 17, 2013**

- (54) **DOUBLE-SIDED RECTANGULAR SLIP-PROOF TRAY**
- (71) Applicant: **Xiaoyong Wang**, TaiZhou (CN)
- (72) Inventor: **Xiaoyong Wang**, TaiZhou (CN)
- (**) Term: **14 Years**
- (21) Appl. No.: **29/443,623**
- (22) Filed: **Jan. 18, 2013**
- (51) **LOC (9) Cl.** **07-01**
- (52) **U.S. Cl.**
USPC **D7/554.3**
- (58) **Field of Classification Search**
USPC D7/354, 551.1–551.2, 550.1, 553.6,
D7/553.7, 543, 545, 554.2, 554.3, 602;
220/212, 428, 675, 671, 574–575, 23.83,
220/605; 206/511, 538, 561–562, 564, 588
See application file for complete search history.

- D503,313 S * 3/2005 Shamoan D7/667
- D524,644 S * 7/2006 Weiss et al. D9/425
- D533,080 S * 12/2006 Darin D9/761
- D600,502 S * 9/2009 Paslawski D7/548
- D612,689 S * 3/2010 White D7/553.6
- D641,217 S * 7/2011 Chen et al. D7/667
- D658,933 S * 5/2012 Woodard D7/357
- D662,781 S * 7/2012 Pallotto D7/552.1
- D669,739 S * 10/2012 Jalet D7/554.3
- D679,144 S * 4/2013 Holding et al. D7/554.3
- D682,634 S * 5/2013 Datavs D7/698

* cited by examiner

Primary Examiner — Kelley Donnelly

(74) *Attorney, Agent, or Firm* — Michael D. Eisenberg;
Jeanette Meng Nakagawa

(57) **CLAIM**

The ornamental design for a double-sided rectangular slip-proof tray, as shown and described.

DESCRIPTION

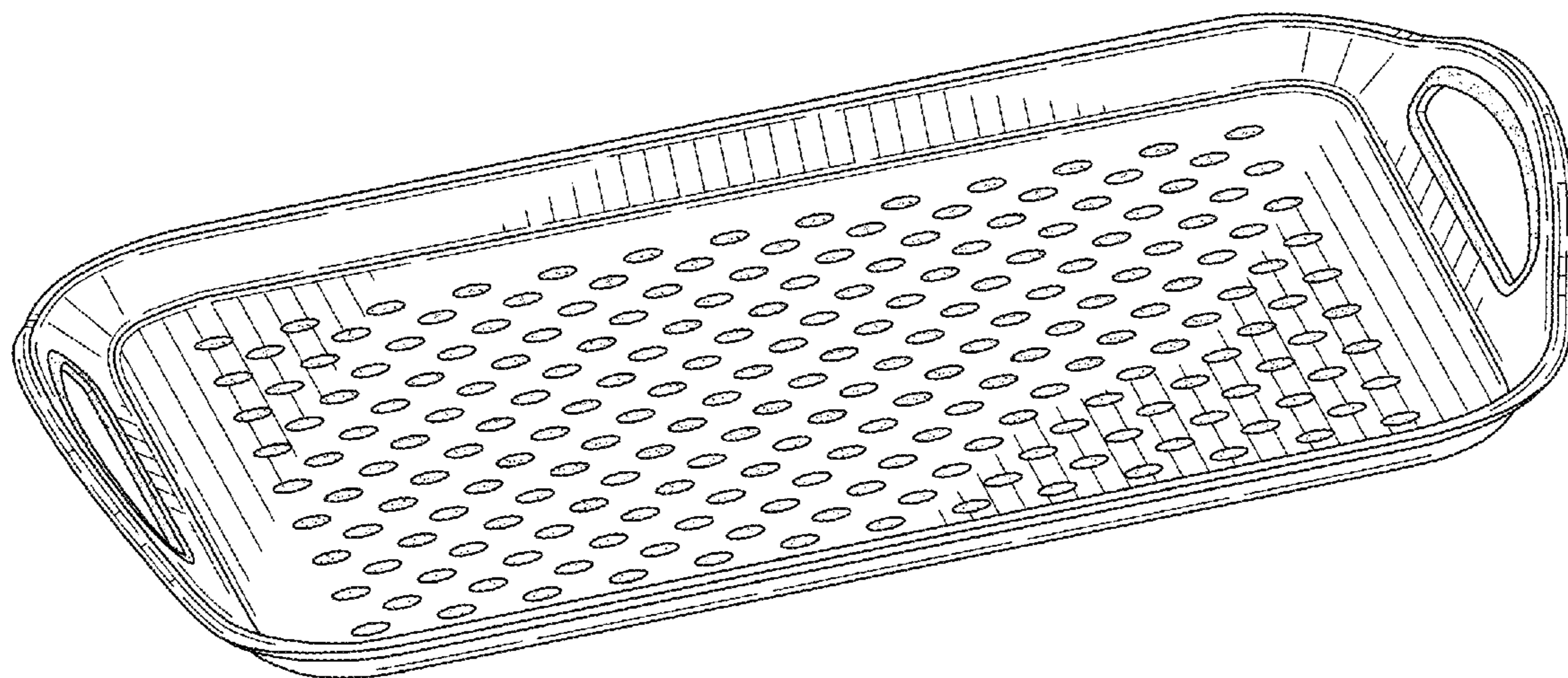
FIG. 1 is a perspective view of a double-sided rectangular slip-proof tray showing my new design;
FIG. 2 is a left side view thereof;
FIG. 3 is a top view thereof;
FIG. 4 is a bottom view thereof;
FIG. 5 is a right side view thereof; and,
FIG. 6 is a bottom perspective view thereof.

1 Claim, 4 Drawing Sheets

(56) **References Cited**

U.S. PATENT DOCUMENTS

- D259,535 S * 6/1981 Daenen D7/667
- D281,480 S * 11/1985 McClelland D7/356
- D321,302 S * 11/1991 Zimmerman D7/392.1
- D346,725 S * 5/1994 Kolada D7/667
- D475,625 S * 6/2003 Lin D9/456



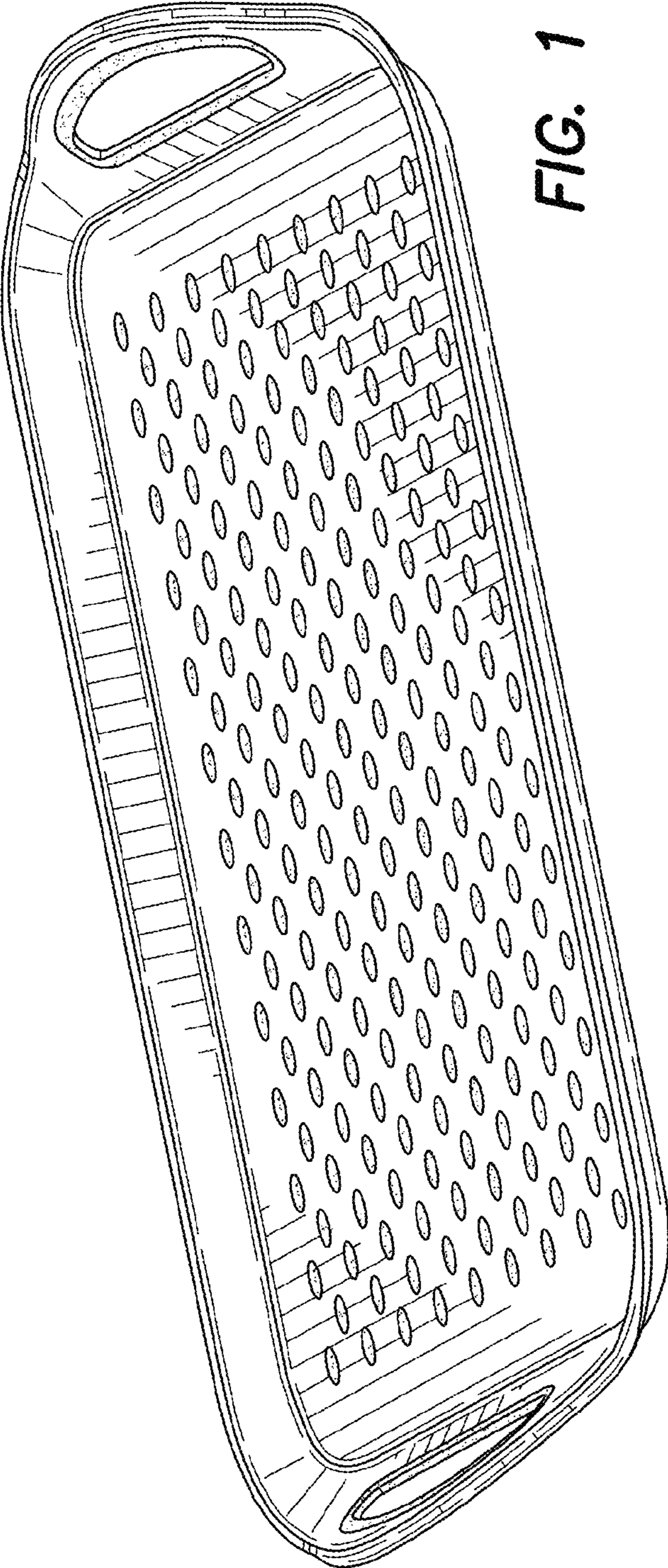


FIG. 1

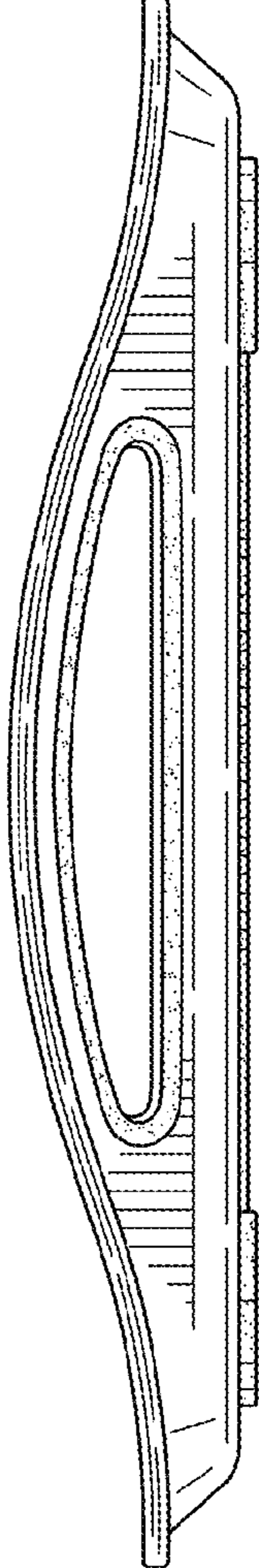


FIG. 2

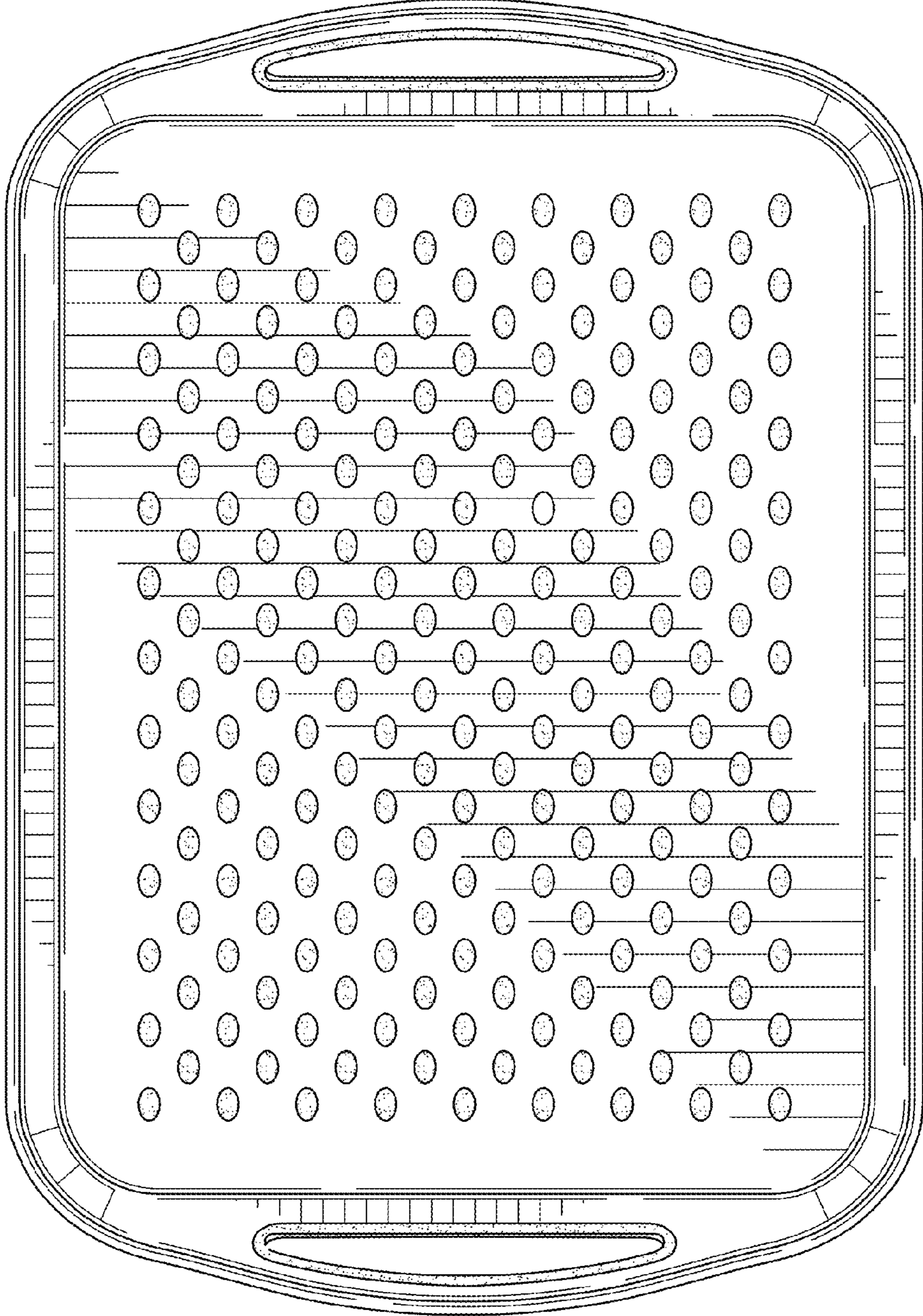


FIG. 3

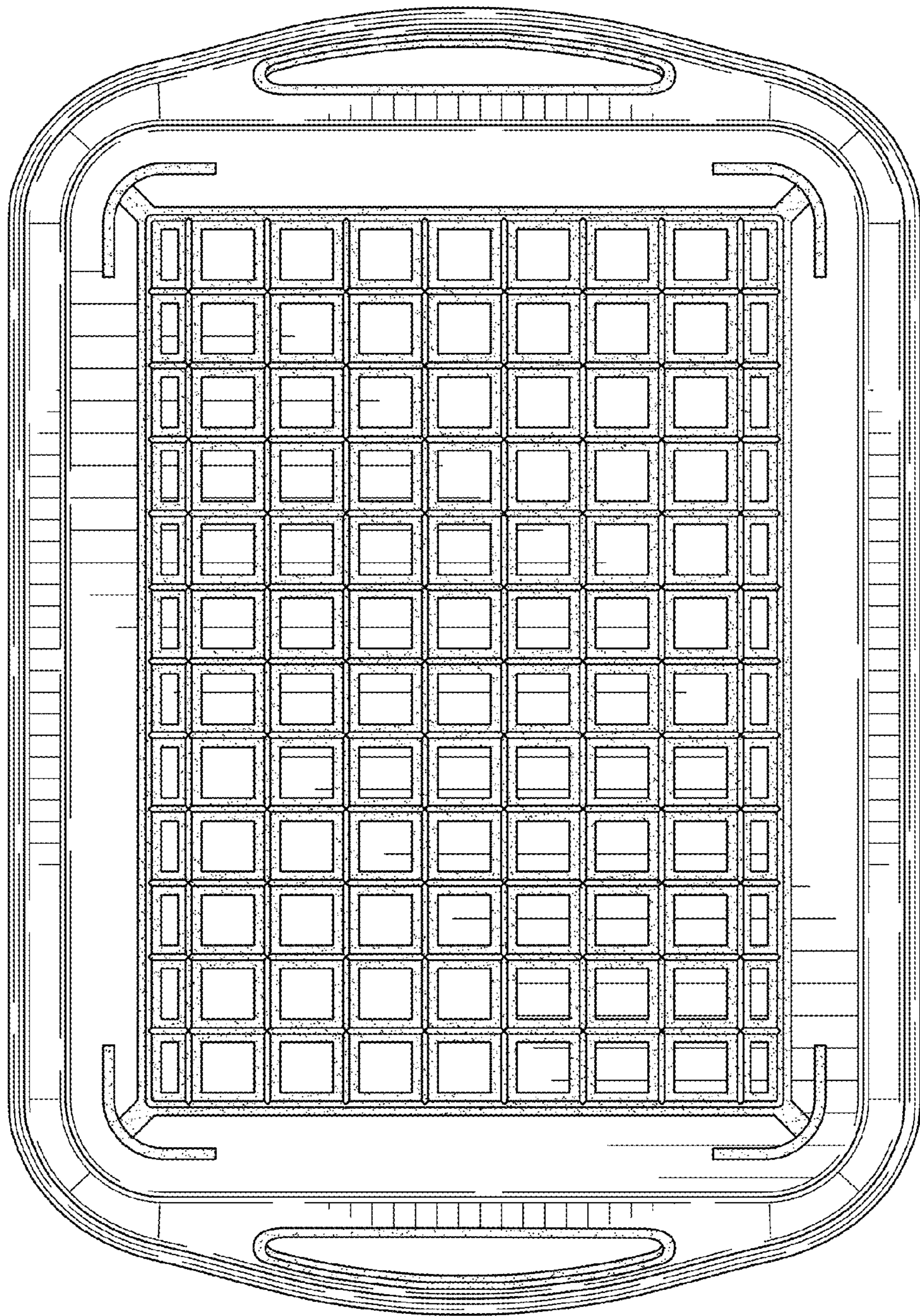


FIG. 4

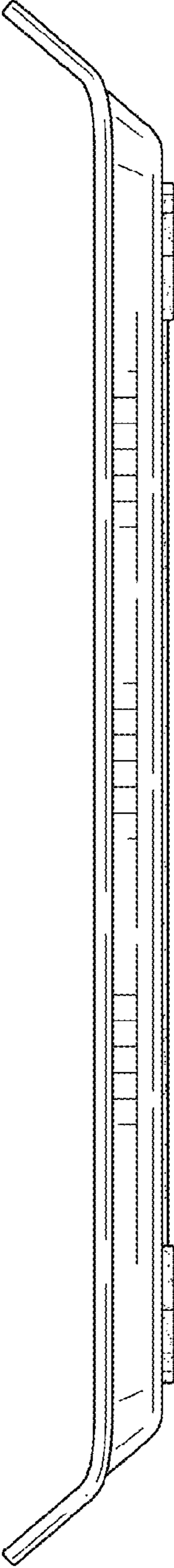


FIG. 5

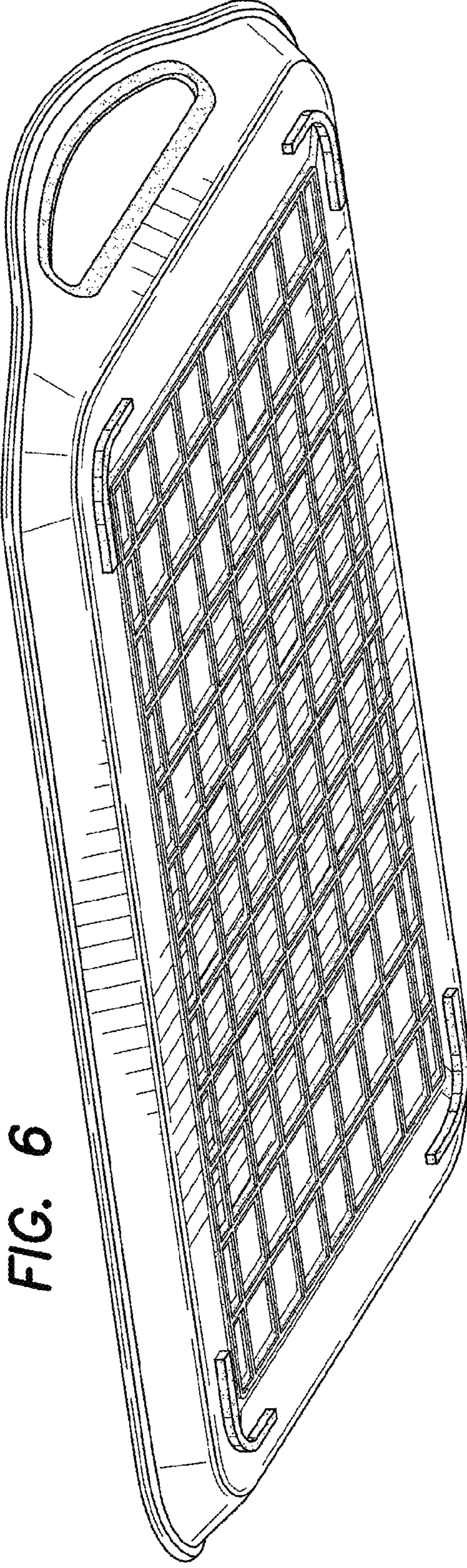


FIG. 6