



US00D689738S

(12) **United States Design Patent**
Hobbs

(10) **Patent No.:** **US D689,738 S**

(45) **Date of Patent:** **** Sep. 17, 2013**

(54) **GRILL DRAFT TOP**

(71) Applicant: **Jack Lee Hobbs**, Campbellsville, KY
(US)

(72) Inventor: **Jack Lee Hobbs**, Campbellsville, KY
(US)

(**) Term: **14 Years**

(21) Appl. No.: **29/441,403**

(22) Filed: **Jan. 4, 2013**

(51) **LOC (9) Cl.** **07-02**

(52) **U.S. Cl.**
USPC **D7/402**

(58) **Field of Classification Search**
USPC D7/332, 334–337, 403–405, 408;
220/592.22; 126/152 B, 25 R, 215, 211,
126/41 R, 39 G, 15 R, 19 M, 275 R, 214 R,
126/220, 287, 290, 293, 285, 163 R, 160,
126/21 R, 214 C, 285 R, 9 R; D23/347, 372,
D23/421

See application file for complete search history.

(56) **References Cited**

U.S. PATENT DOCUMENTS

1,045,786	A *	11/1912	Haller	6/290
2,064,064	A *	12/1936	Hunker	6/290
4,624,239	A *	11/1986	Yellin	126/25 R
4,924,845	A *	5/1990	Johnson et al.	126/25 R
5,165,385	A *	11/1992	Doolittle et al.	126/25 R
D444,663	S *	7/2001	Samaras	D7/337
D460,893	S *	7/2002	Rowe	D7/334
D463,196	S *	9/2002	Hsu	D7/332
6,470,875	B2 *	10/2002	Liu	126/25 R
D473,414	S *	4/2003	Neal et al.	D7/332
7,334,576	B2 *	2/2008	Chung	126/25 R

D642,416	S *	8/2011	Scott et al.	D7/332
D668,096	S *	10/2012	Simms, II	D7/334
D677,526	S *	3/2013	Wade	D7/402
D677,987	S *	3/2013	High	D7/402
2002/0112716	A1 *	8/2002	Liu	126/25 R
2002/0179081	A1 *	12/2002	Holland et al.	126/25 R
2005/0211237	A1 *	9/2005	Woller	126/25 R
2006/0213497	A1 *	9/2006	Orozco et al.	126/41 R
2006/0266344	A1 *	11/2006	Chung	126/25 R
2008/0230045	A1 *	9/2008	Bruno	126/25 R
2009/0308373	A1	12/2009	Scott et al.	
2011/0271949	A1 *	11/2011	Ortner et al.	126/25 R
2011/0283990	A1 *	11/2011	Walters et al.	126/25 R
2012/0073561	A1 *	3/2012	Gregory	126/25 R

* cited by examiner

Primary Examiner — Ruth McInroy

(74) *Attorney, Agent, or Firm* — Laura M. Hagan; Kerrick Stivers Coyle, PLC

(57) **CLAIM**

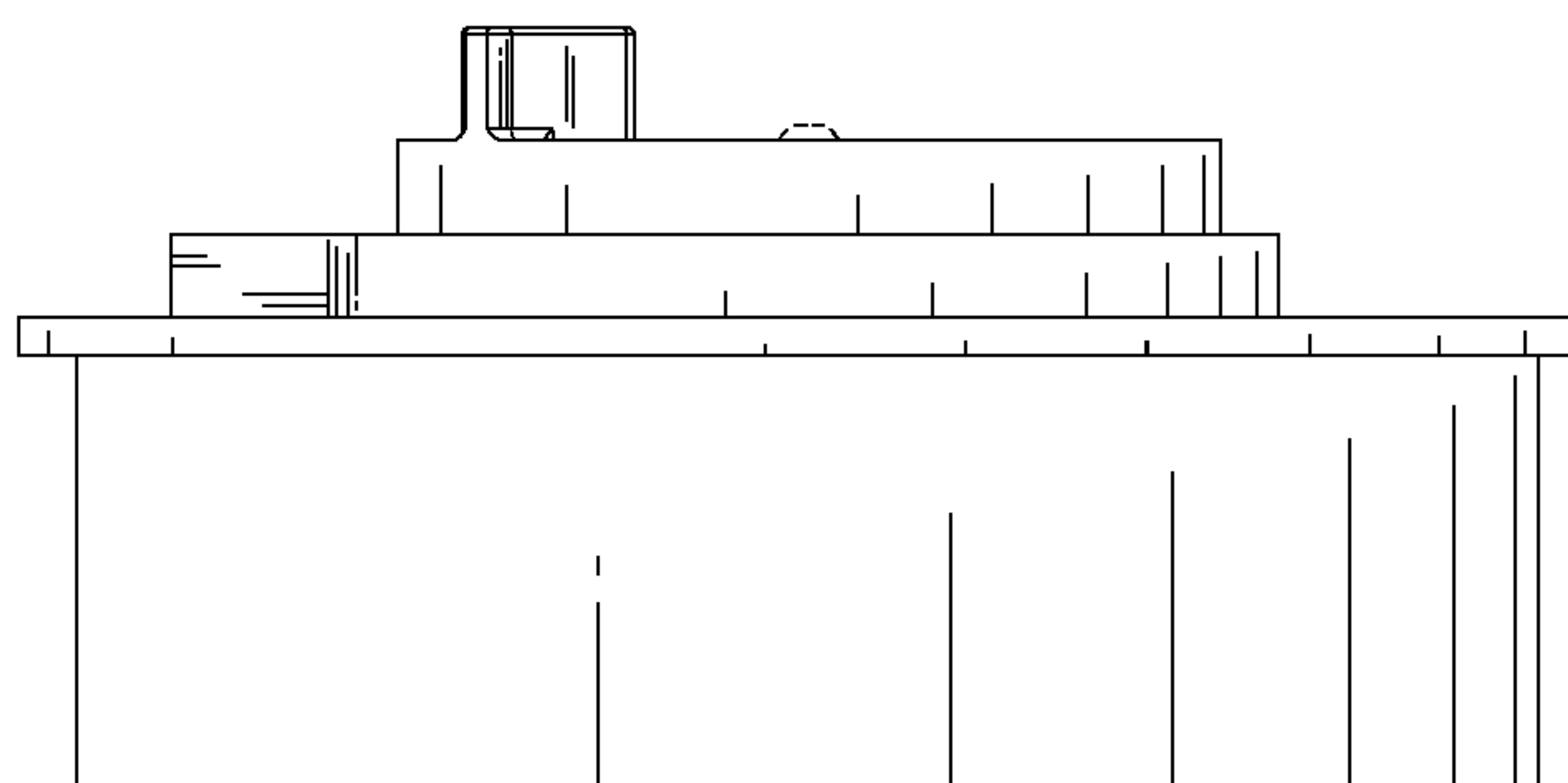
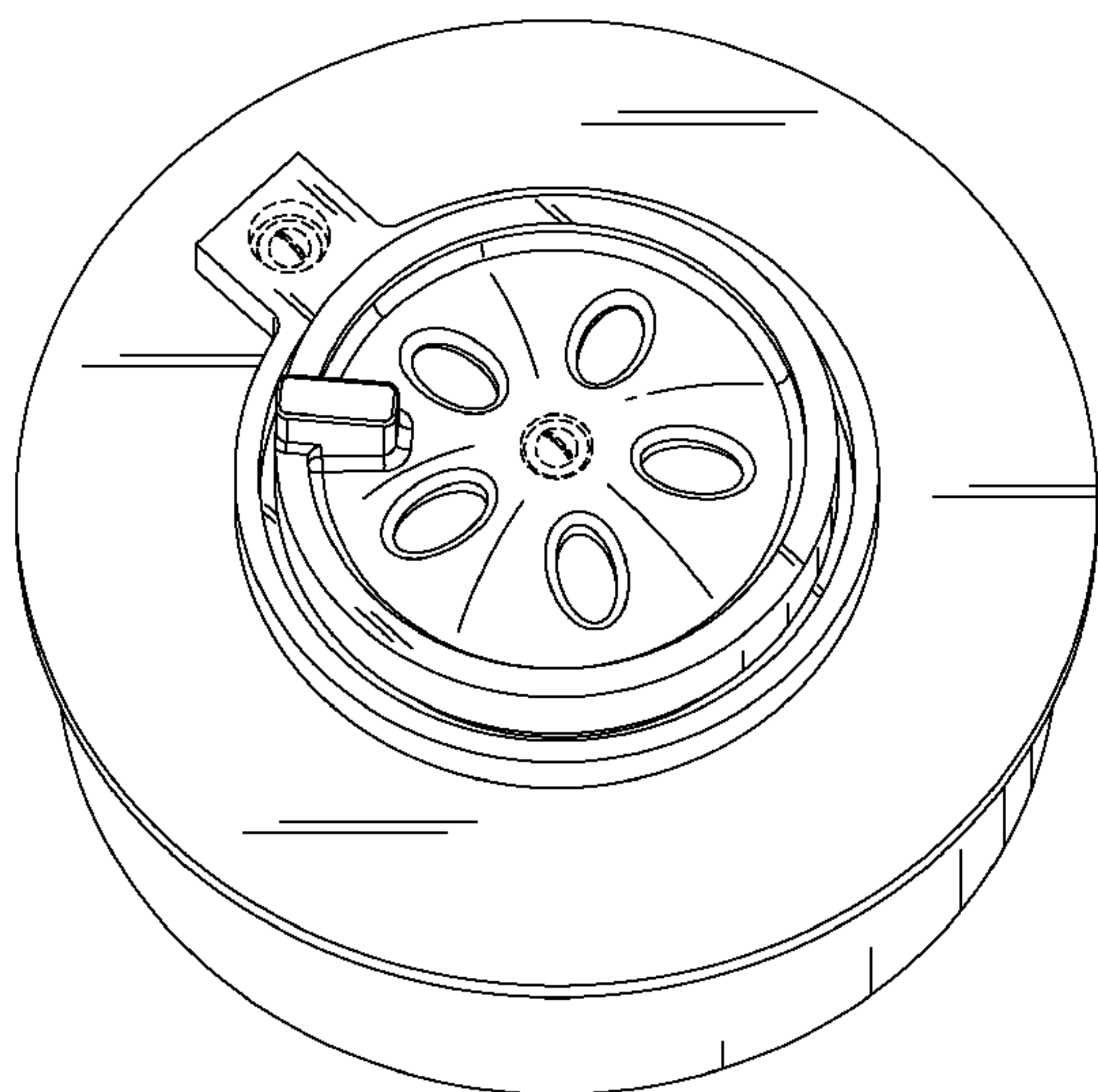
I claim the ornamental design for a grill draft top, as shown and described.

DESCRIPTION

FIG. 1 is a perspective view of the grill draft top, showing my new design;
FIG. 2 is perspective view of the grill draft top, showing the lid rotated to an open position;
FIG. 3 is a top plan view thereof;
FIG. 4 is a front elevational view thereof;
FIG. 5 is a rear elevational view thereof;
FIG. 6 is a right side view thereof; and,
FIG. 7 is a left side view thereof.

The broken lines showing the screws in FIGS. 1, 2, 3, 4, 5, 6 and 7 are for illustrative purposes only and form no part of the claimed design.

1 Claim, 7 Drawing Sheets



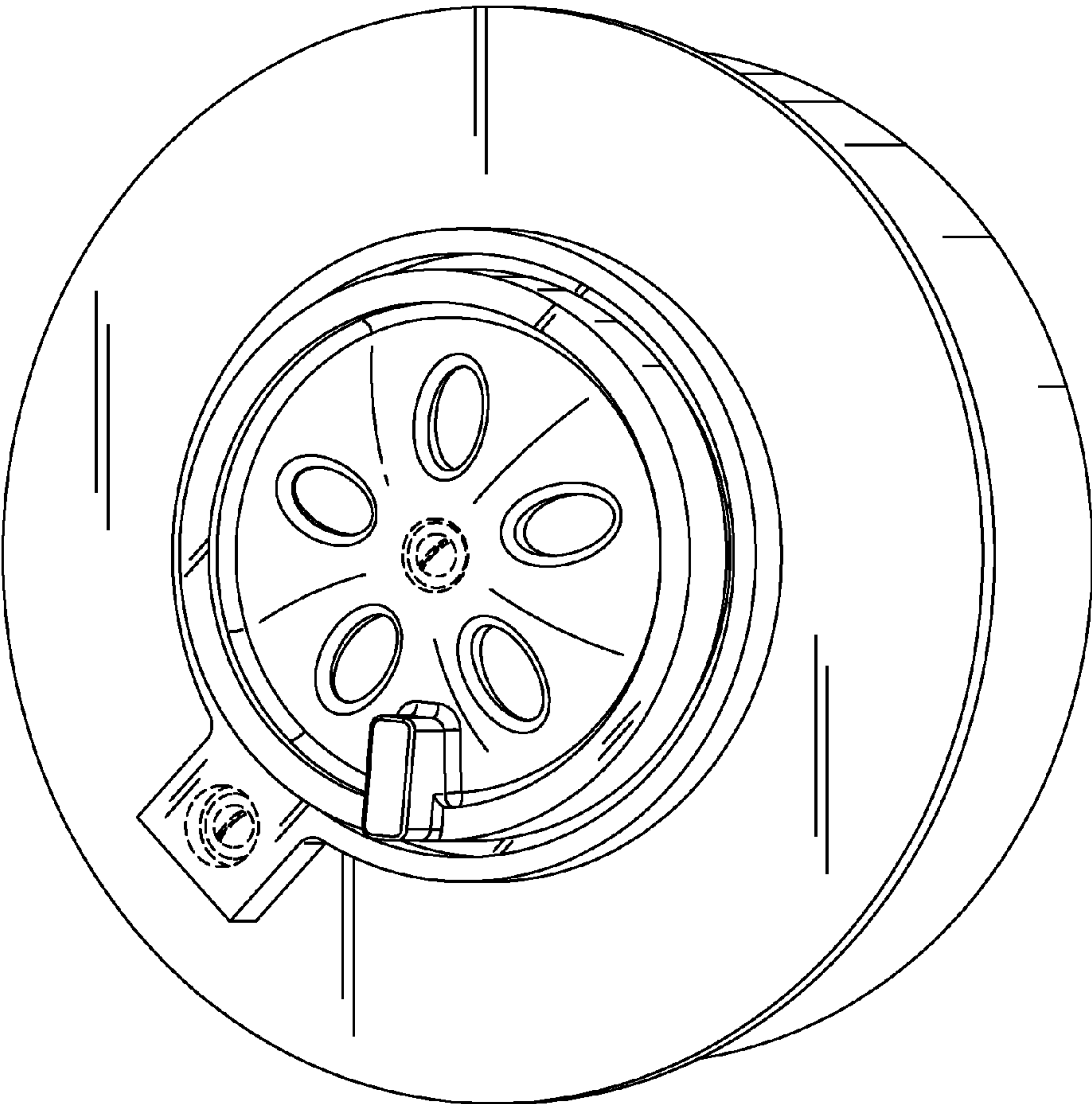


FIG. 1

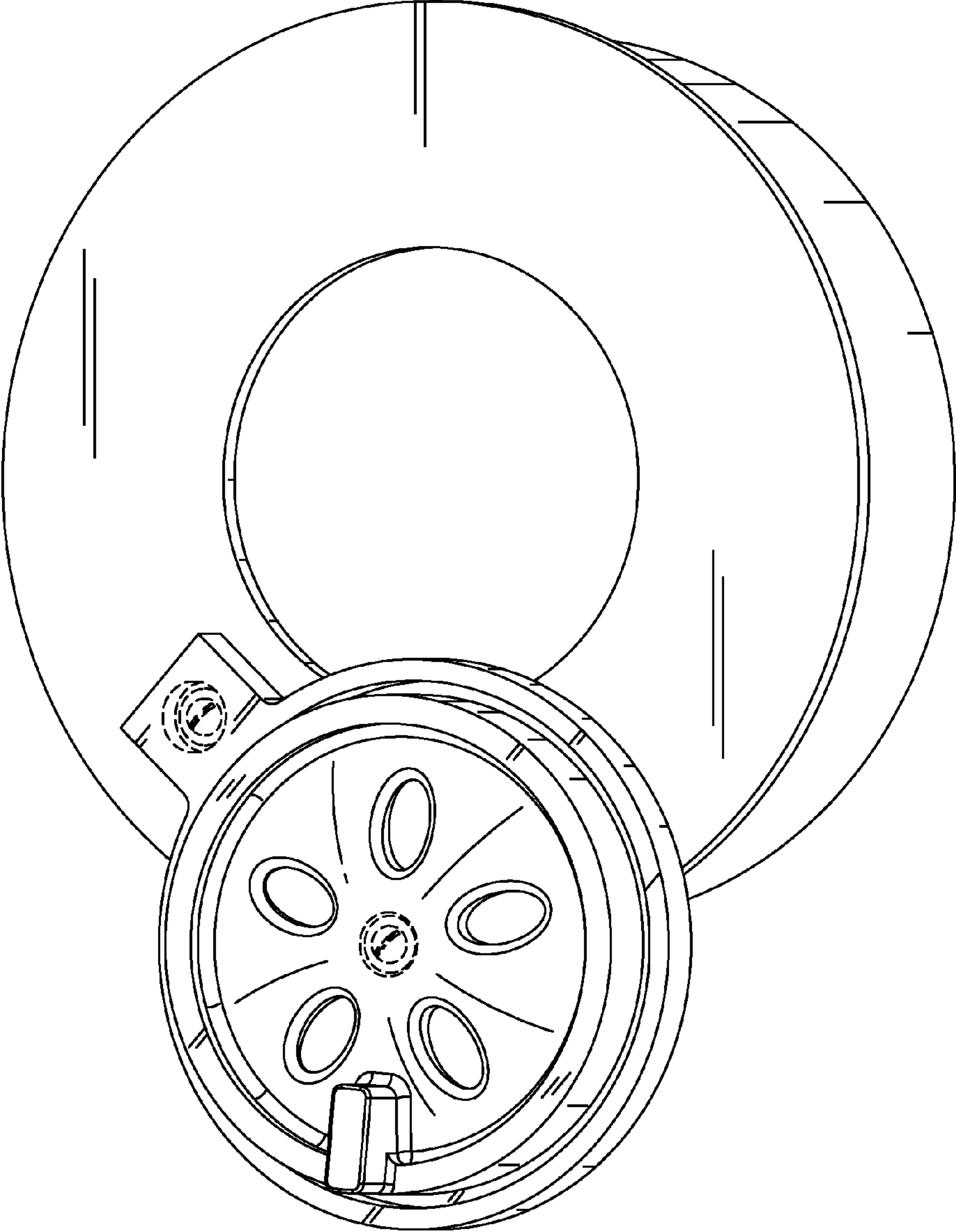


FIG. 2

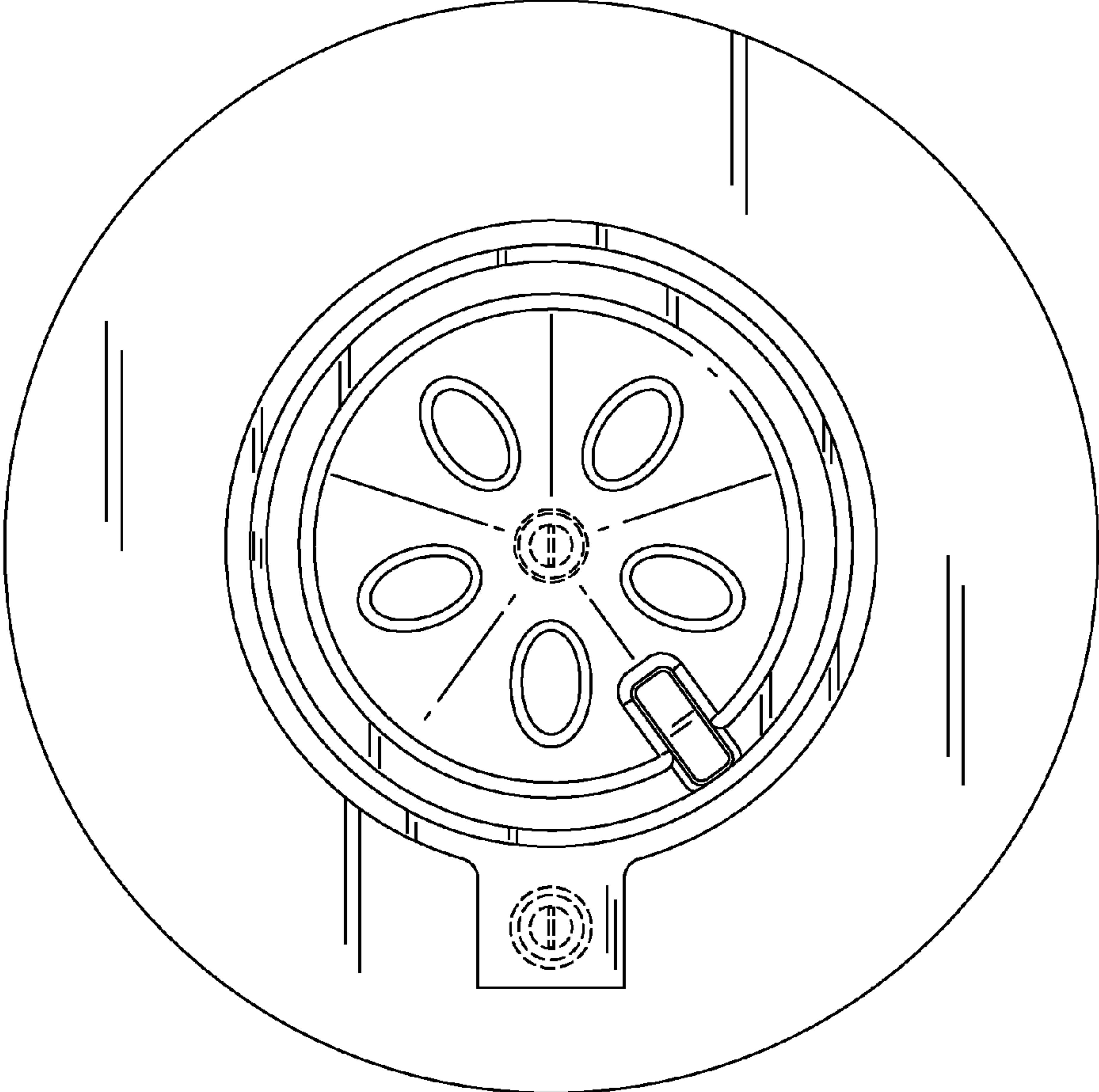


FIG. 3

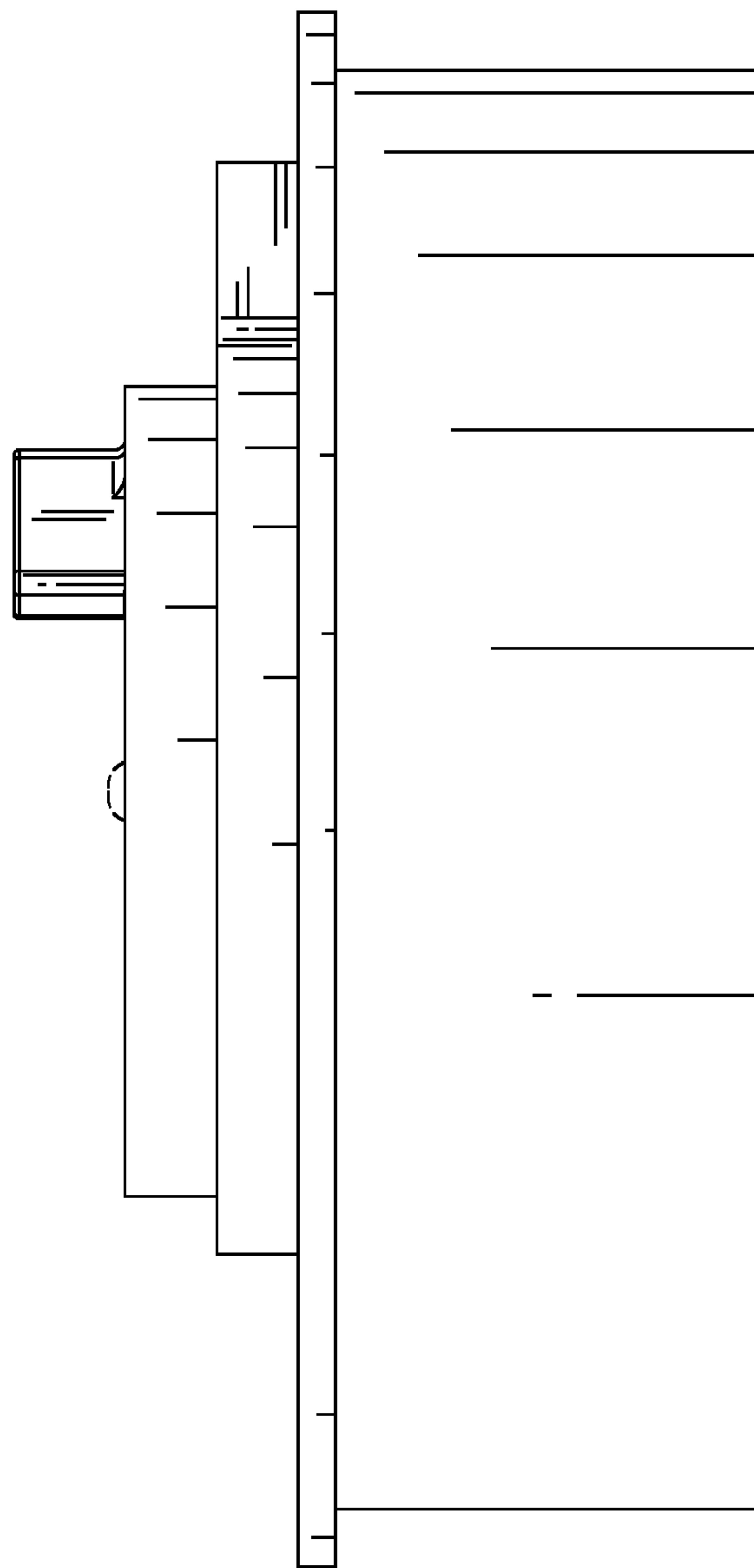


FIG. 4

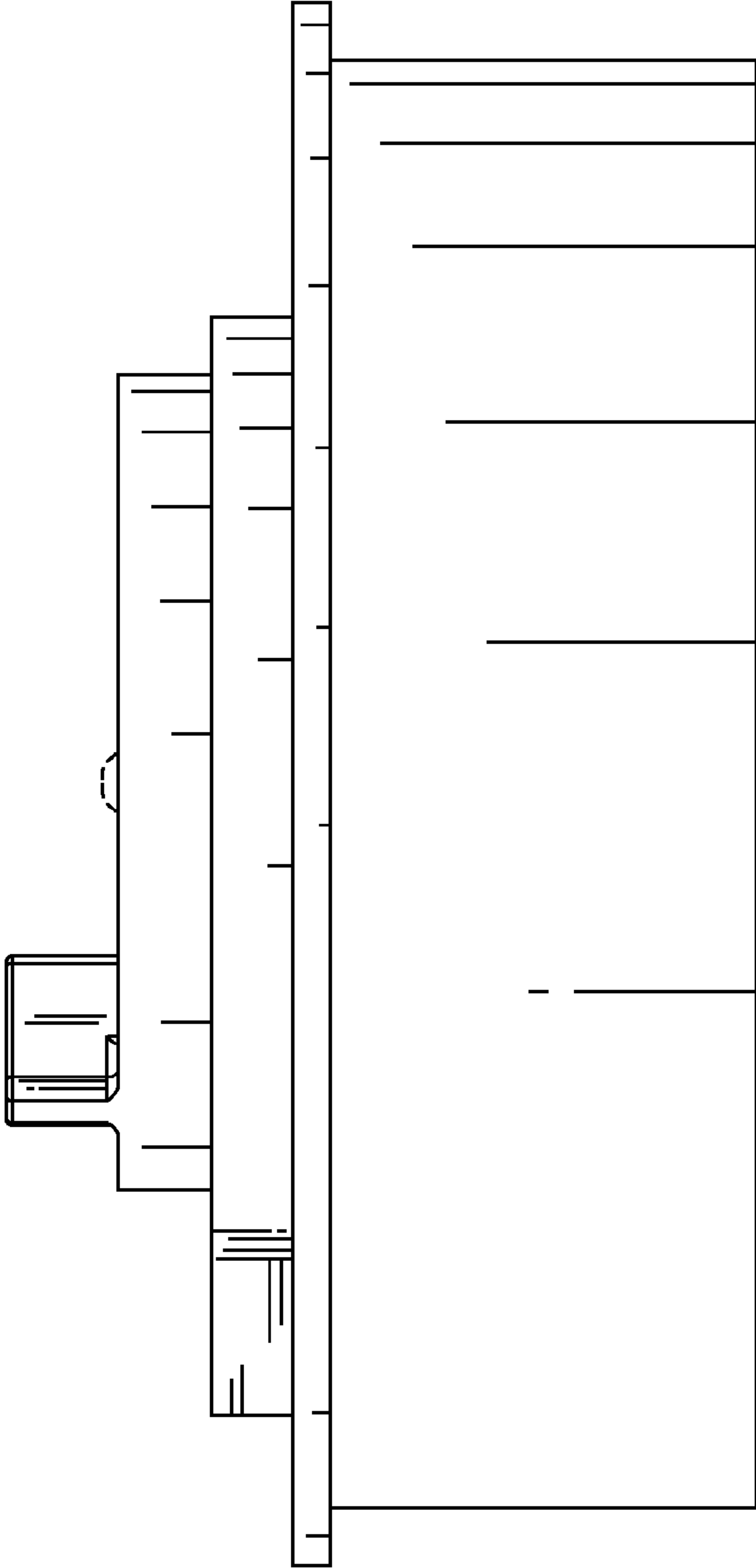


FIG. 5

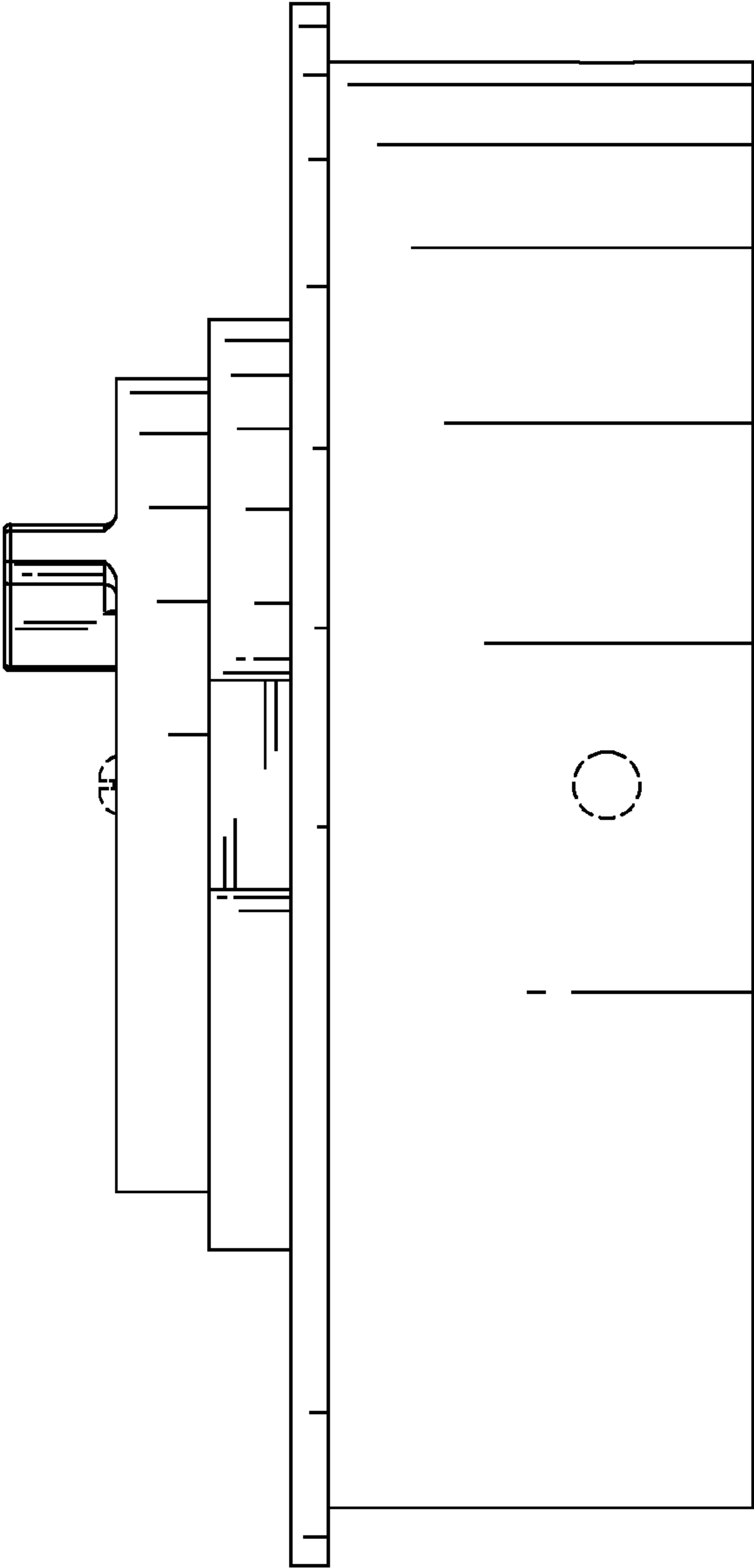


FIG. 6

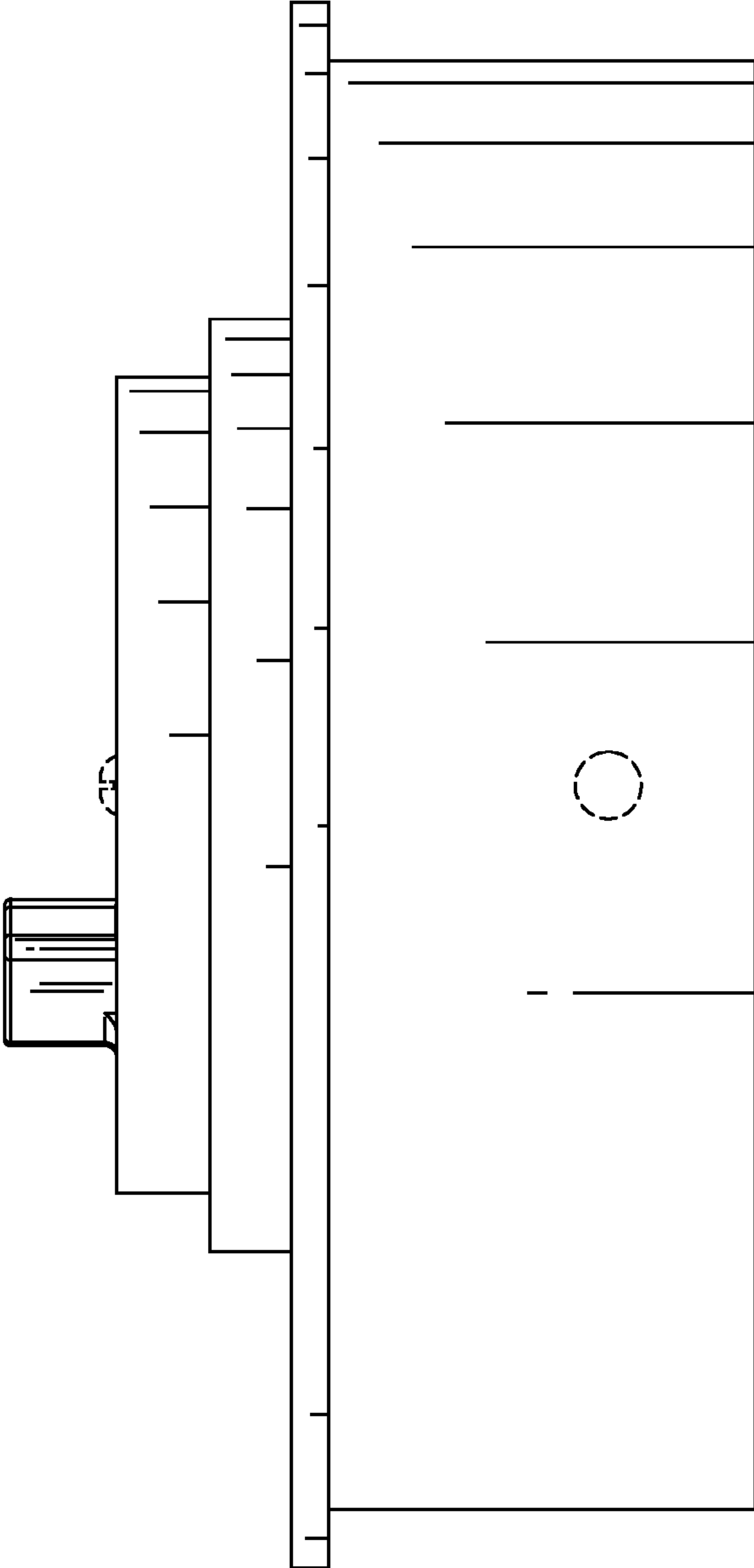


FIG. 7