

US00D689731S

(12) **United States Design Patent**  
**Dorion**

(10) **Patent No.:** **US D689,731 S**

(45) **Date of Patent:** **\*\* Sep. 17, 2013**

(54) **BAKING STAND**

(75) Inventor: **Christopher Michael Dorion**, Elmhurst, IL (US)

(73) Assignee: **Focus Products Group International, LLC**, Lincolnshire, IL (US)

(\*\*) Term: **14 Years**

(21) Appl. No.: **29/424,719**

(22) Filed: **Jun. 14, 2012**

(51) **LOC (9) Cl.** ..... **07-02**

(52) **U.S. Cl.**

USPC ..... **D7/354**

(58) **Field of Classification Search**

USPC ..... D7/323, 329–331, 337, 339, 346–347, D7/350.1–350.4, 352–367, 387–388, 391, D7/392.1, 393, 395, 402, 407–410, 500, 505, D7/538–545, 552.1, 552.2, 555, 566, 584–587, D7/602, 672–674; D9/416, 424–425, 430–434; D11/152; 99/324–325, 331–332, 337–349, 99/358, 369–376, 380, 389, 400–418, 422–426, 99/444–446, 483; 126/9 B, 37 R, 261, 378.1; 206/501–505, 507–508, 518; 219/386, 400, 219/405, 429–442, 450.1, 452.13, 460.1, 219/620–624, 725, 730–735; 220/4.21–4.24, 220/23.8, 315, 573.1–573.5, 629, 675, 743, 220/756, 769, 912; 366/347; 426/132, 438, 426/441, 549

See application file for complete search history.

(56) **References Cited**

**U.S. PATENT DOCUMENTS**

2,802,499 A \* 8/1957 Tupper ..... 366/347  
D282,340 S \* 1/1986 Lam ..... D7/387  
D297,297 S \* 8/1988 Lacey ..... D7/354  
4,921,114 A \* 5/1990 Rome ..... 220/4.21  
D376,315 S \* 12/1996 Gumowitz et al. .... D9/430  
D377,451 S \* 1/1997 Gumowitz et al. .... D9/432

D395,195 S \* 6/1998 Heiberg et al. .... D7/391  
6,168,813 B1 \* 1/2001 Blazeovich ..... 426/132  
6,196,120 B1 \* 3/2001 Reames ..... 99/413  
D453,308 S \* 2/2002 McCauley ..... D11/152  
D468,965 S \* 1/2003 Fino et al. .... D7/505  
D480,264 S \* 10/2003 de Groote et al. .... D7/392.1  
D532,247 S \* 11/2006 Copeland ..... D7/354

\* cited by examiner

*Primary Examiner* — Ricky Pham

(74) *Attorney, Agent, or Firm* — Thompson Coburn LLP

(57) **CLAIM**

The new, original, and ornamental design for a baking stand, as shown and described.

**DESCRIPTION**

FIG. 1 is a top view of a baking stand according to a first embodiment.

FIG. 2 is a bottom view thereof

FIG. 3 is a side view thereof. The remaining side views are mirror images;

FIG. 4 is a perspective view thereof.

FIG. 5 is a top view of a baking stand according to a second embodiment.

FIG. 6 is a bottom view thereof.

FIG. 7 is a side view thereof.

FIG. 8 is a perspective view thereof.

FIG. 9 is a top view of a baking stand according to a third embodiment.

FIG. 10 is a bottom view thereof.

FIG. 11 is a side view thereof.

FIG. 12 is a perspective view thereof.

FIG. 13 is a top view of a baking stand according to a fourth embodiment.

FIG. 14 is a bottom view thereof.

FIG. 15 is a side view along a length thereof.

FIG. 16 is a perspective view thereof; and,

FIG. 17 is a side view along a width thereof.

**1 Claim, 17 Drawing Sheets**

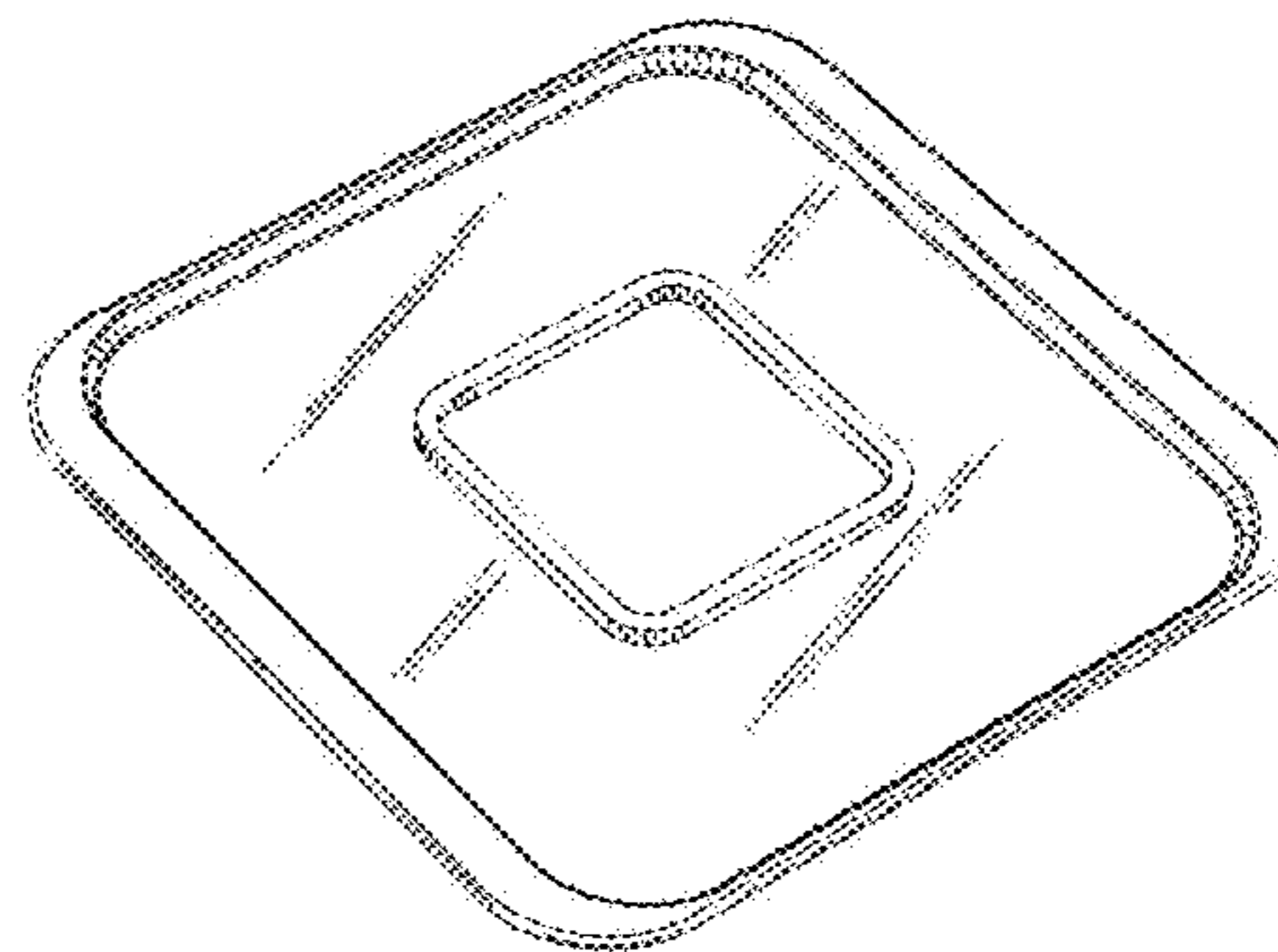
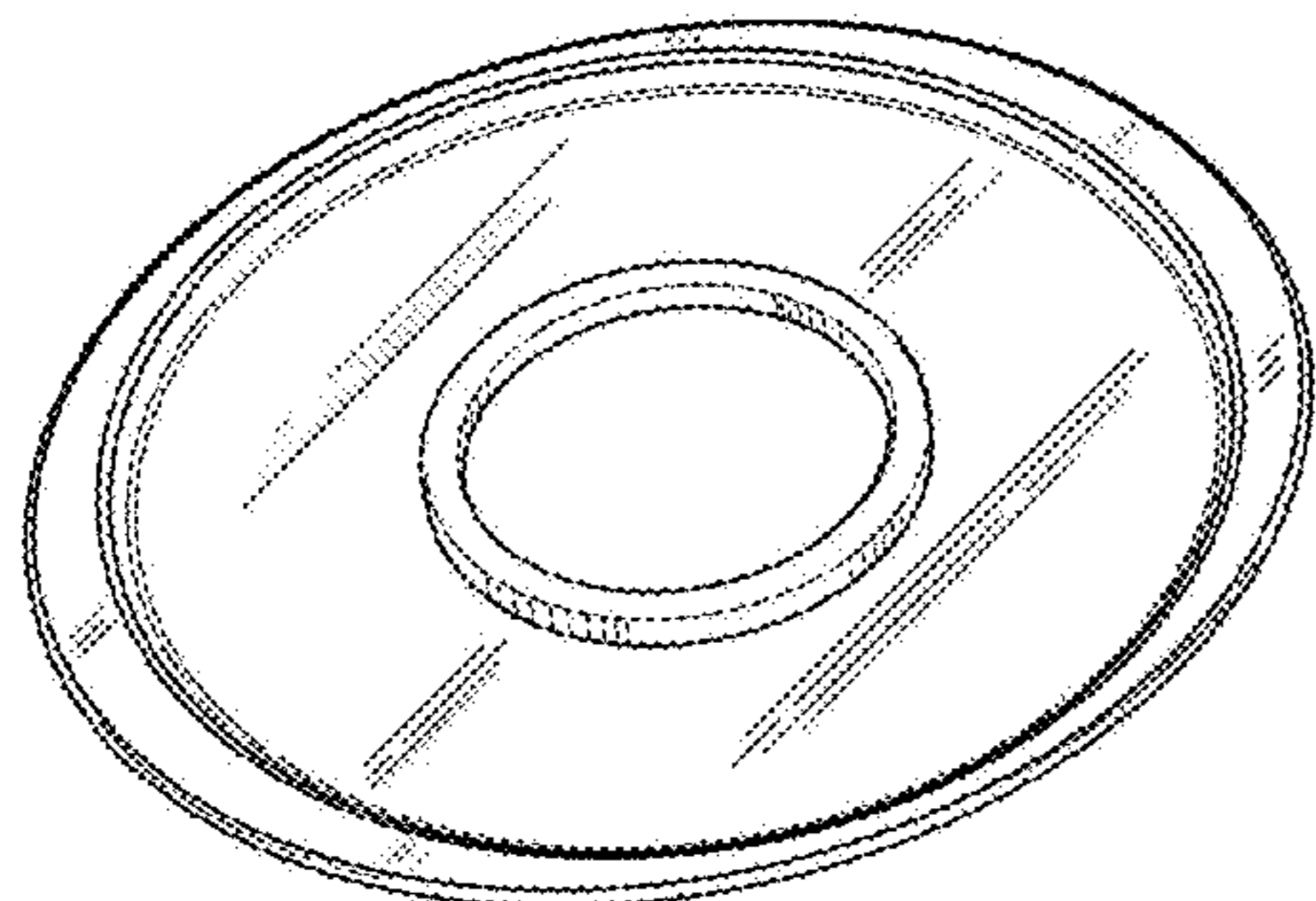


FIG. 1

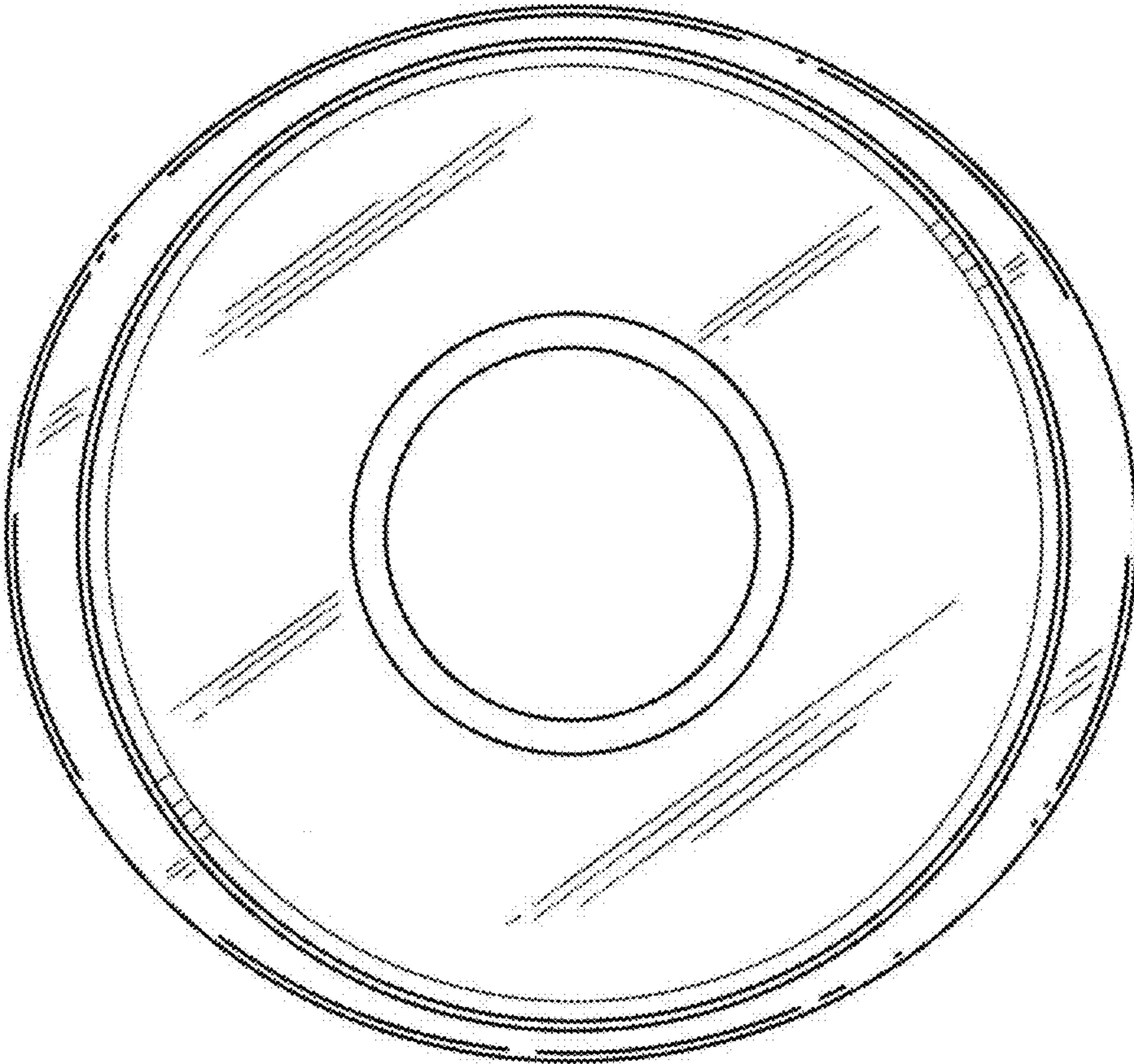


FIG. 2

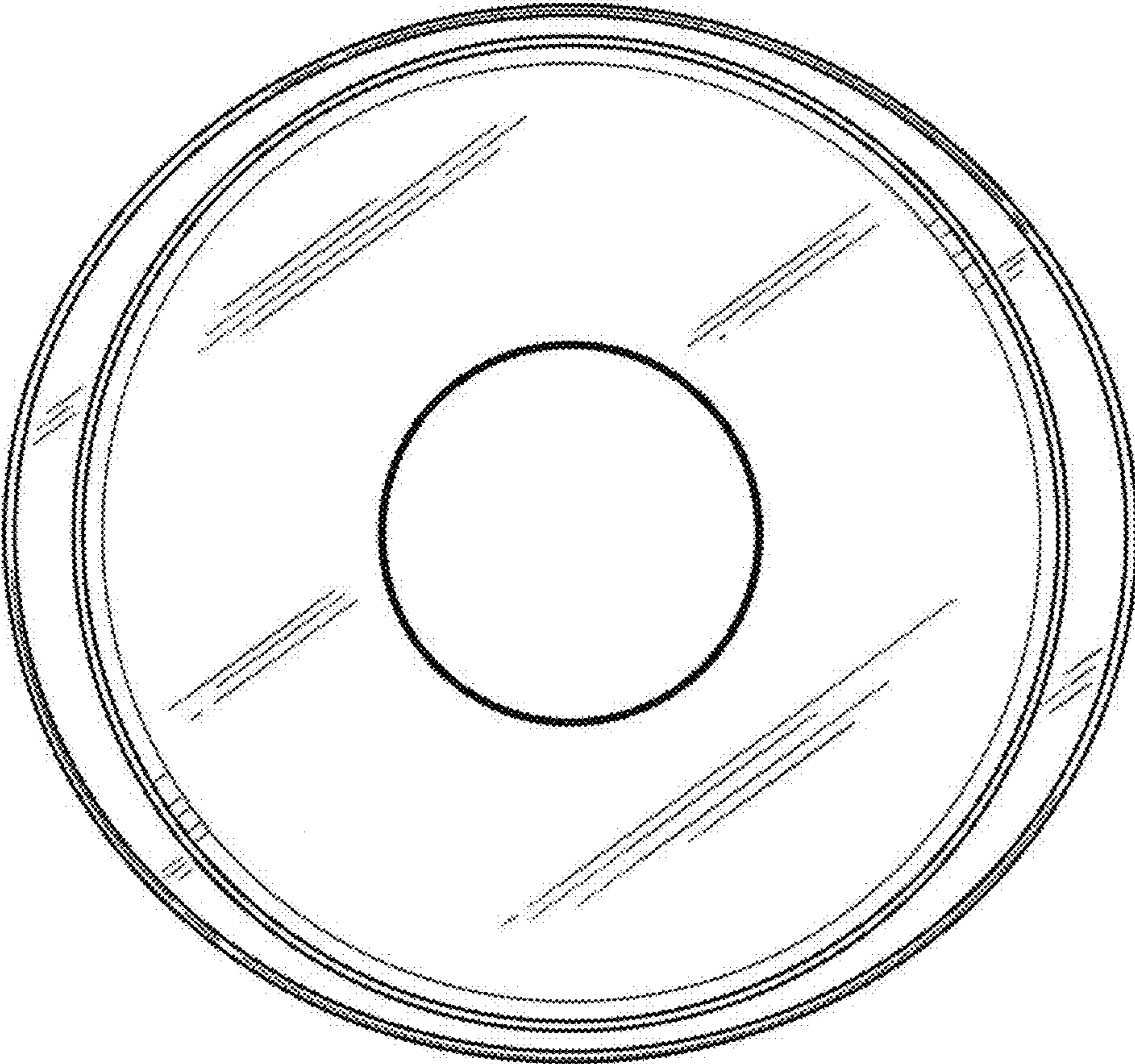


FIG. 3

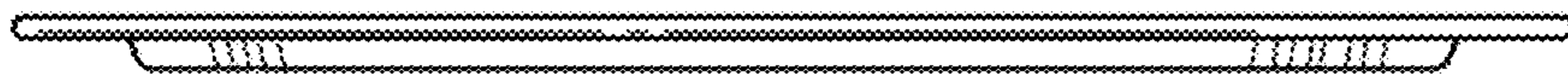


FIG. 4

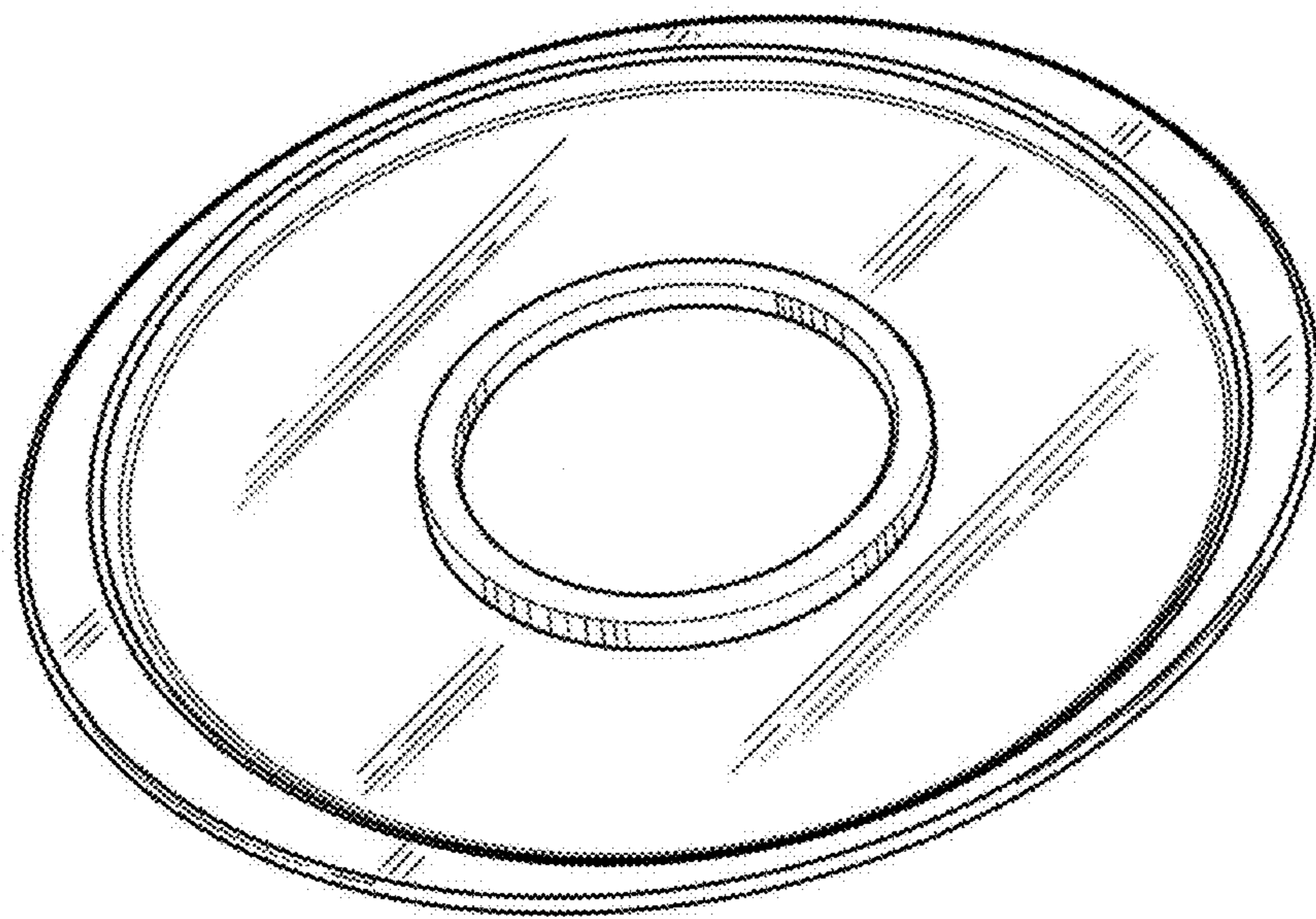


FIG. 5

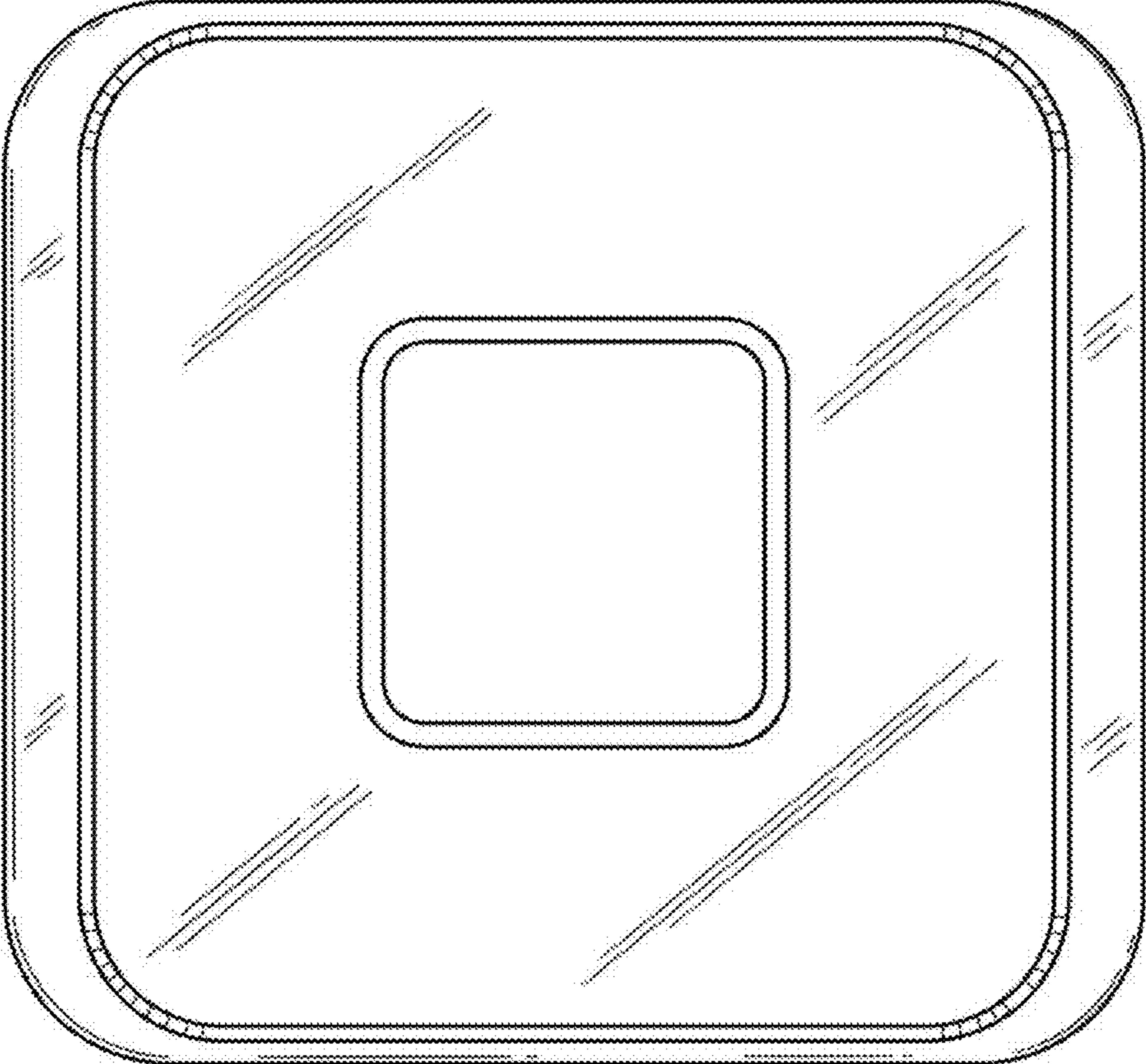


FIG. 6

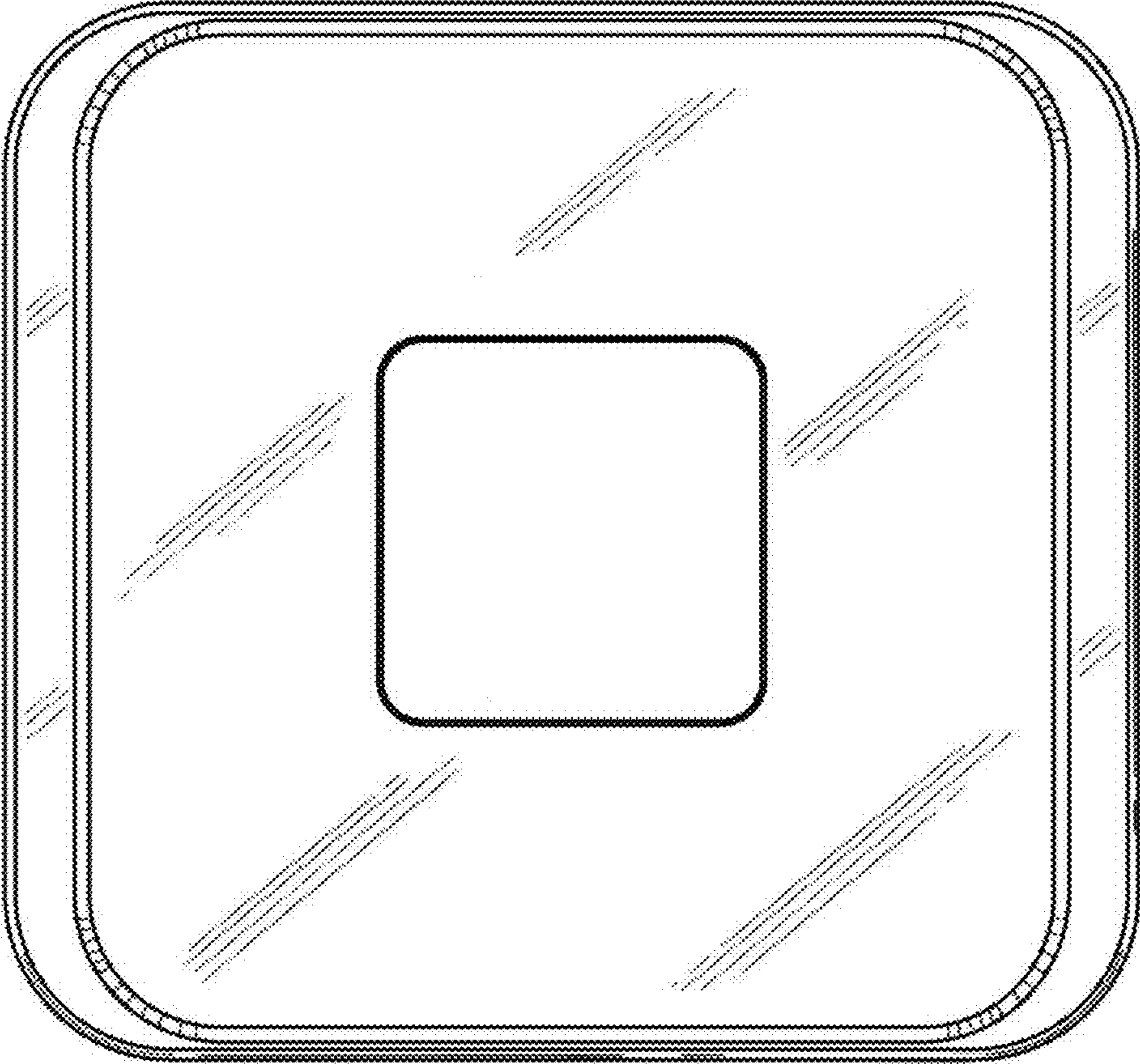


FIG. 7

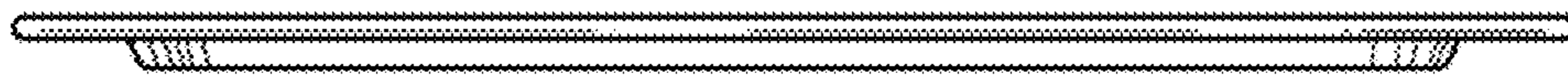




FIG. 8

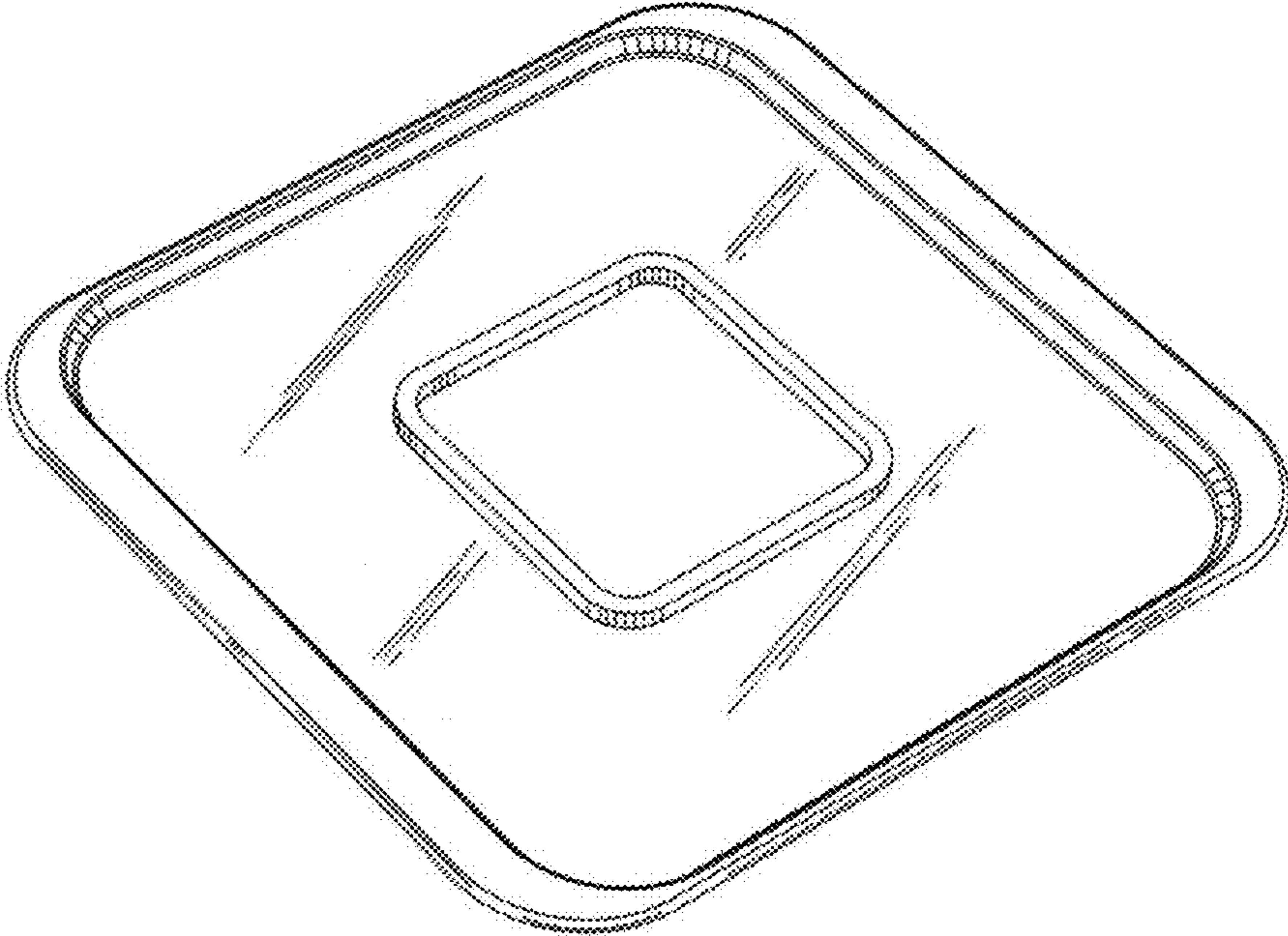


FIG. 9

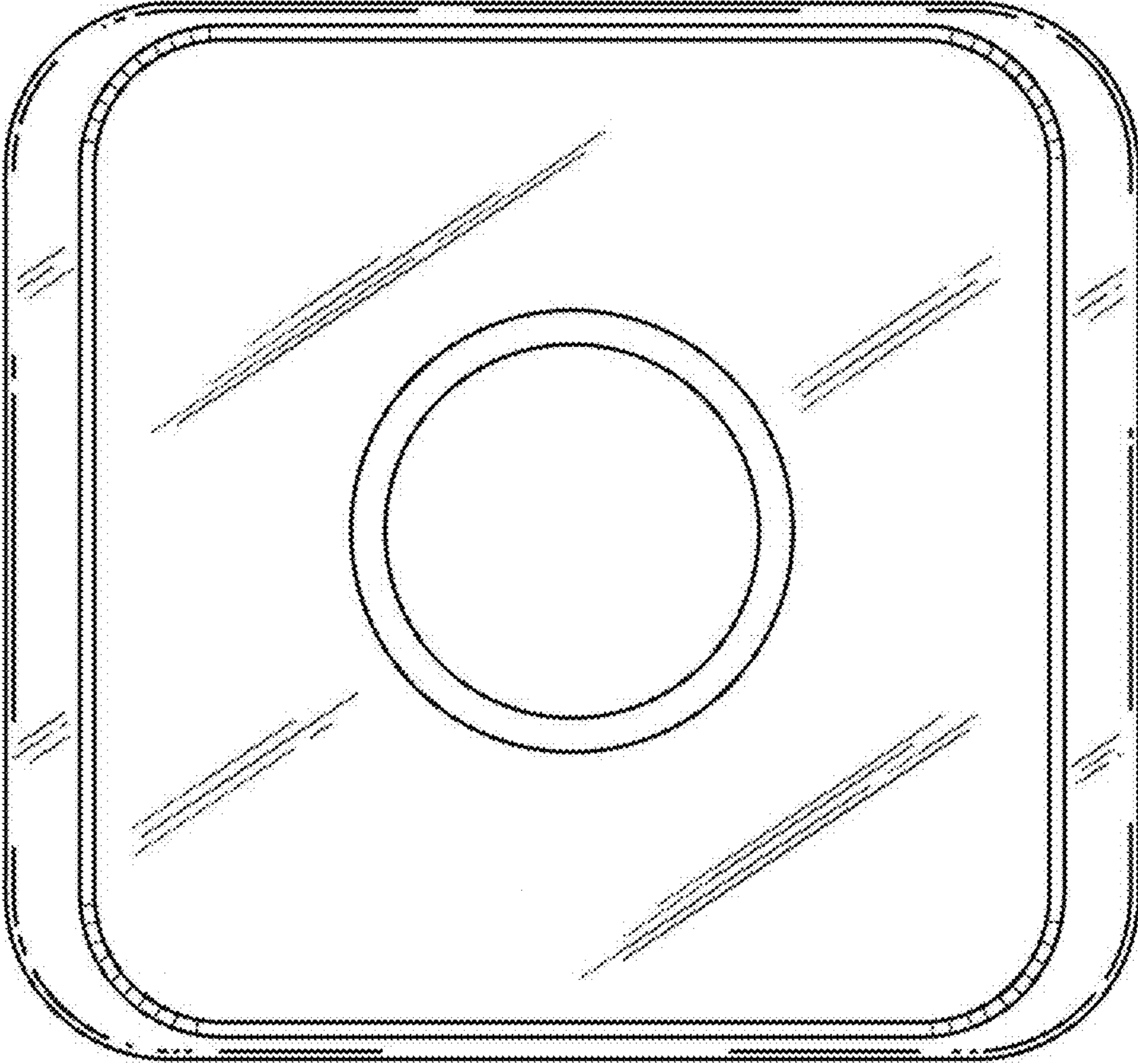


FIG. 10

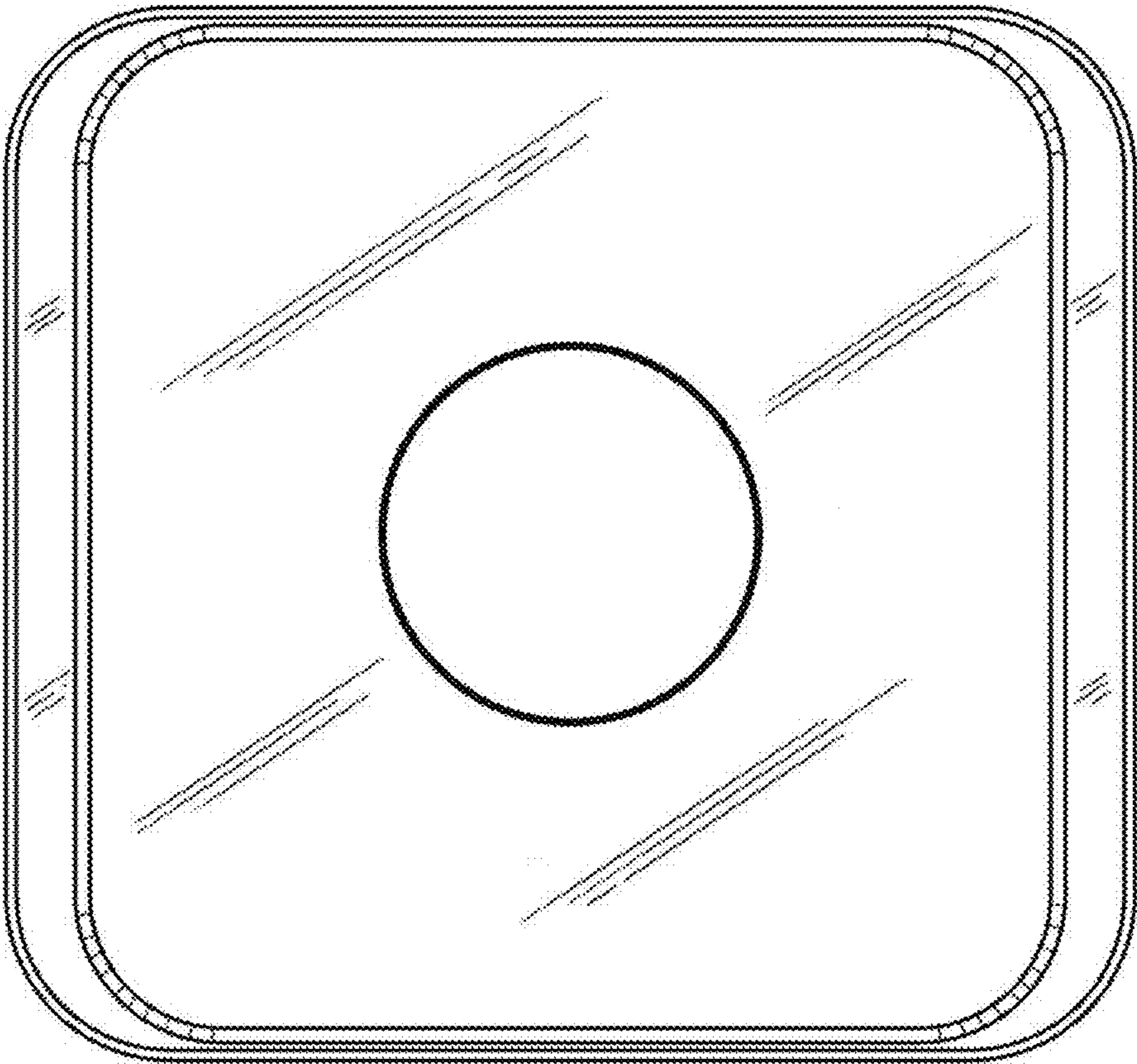


FIG. 11

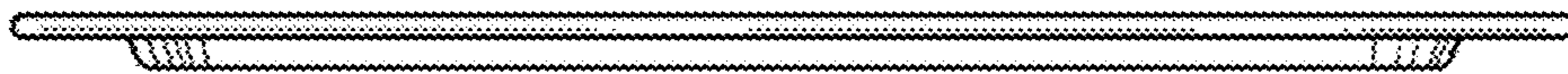


FIG. 12

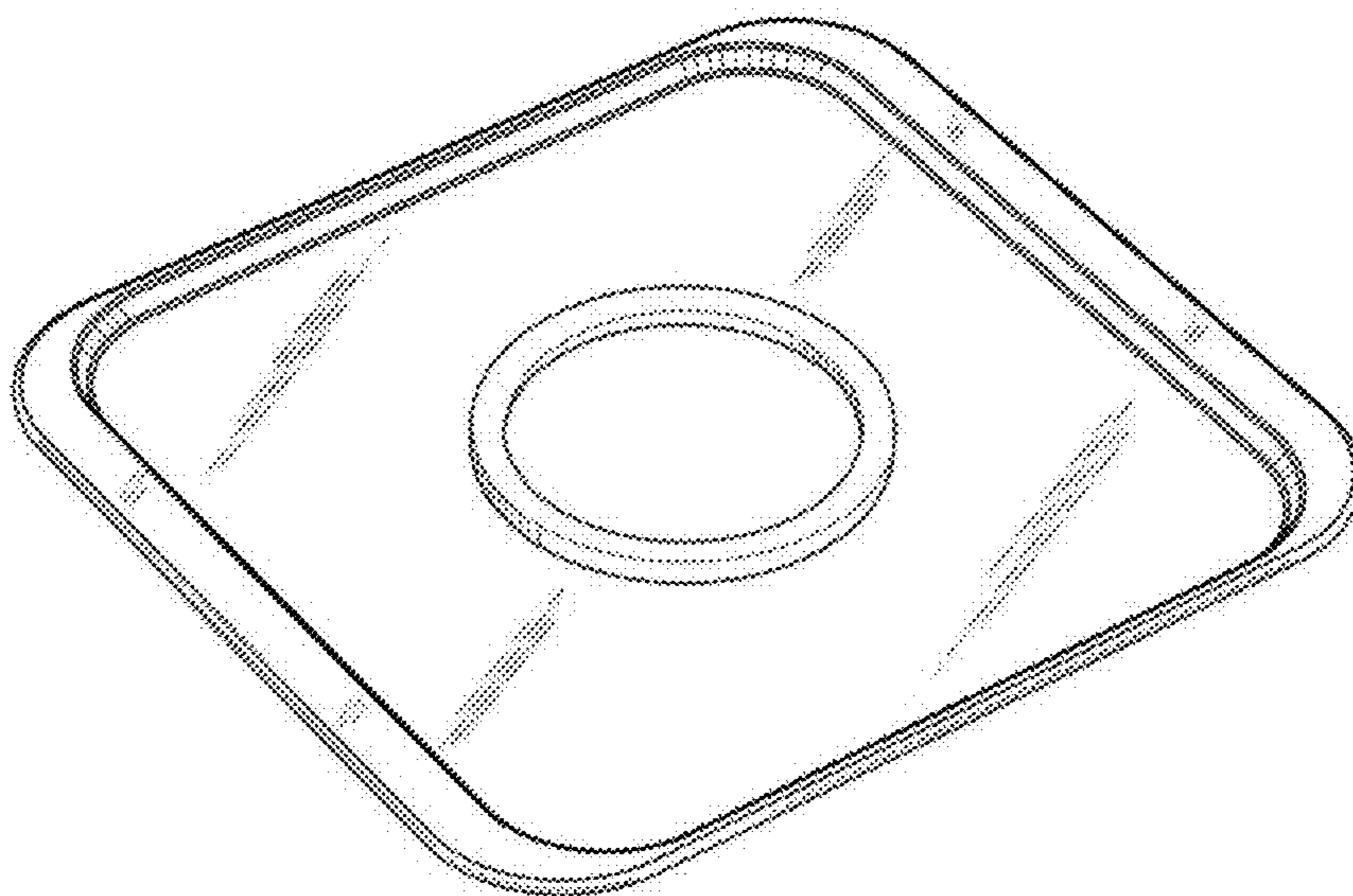


FIG. 13

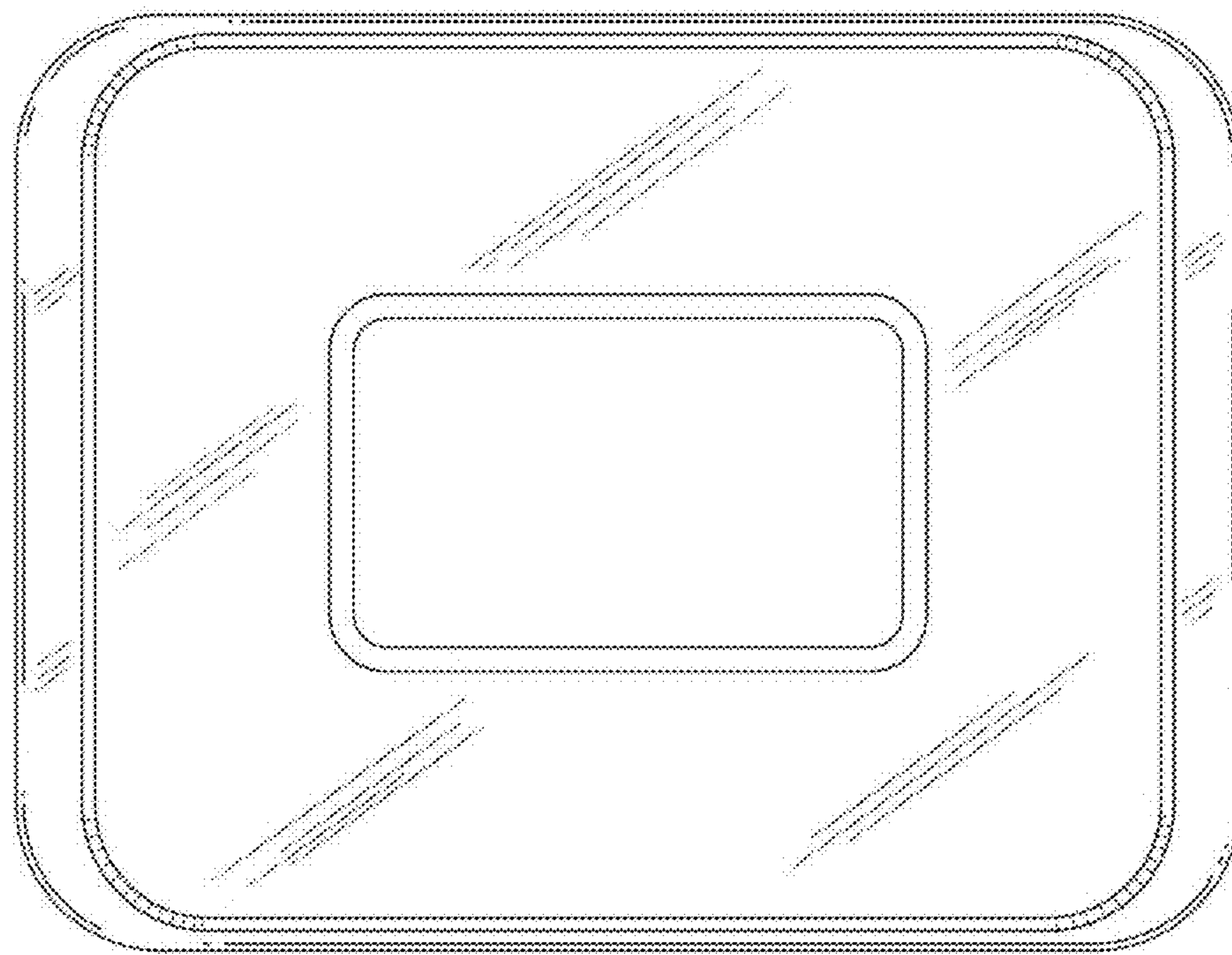


FIG. 14

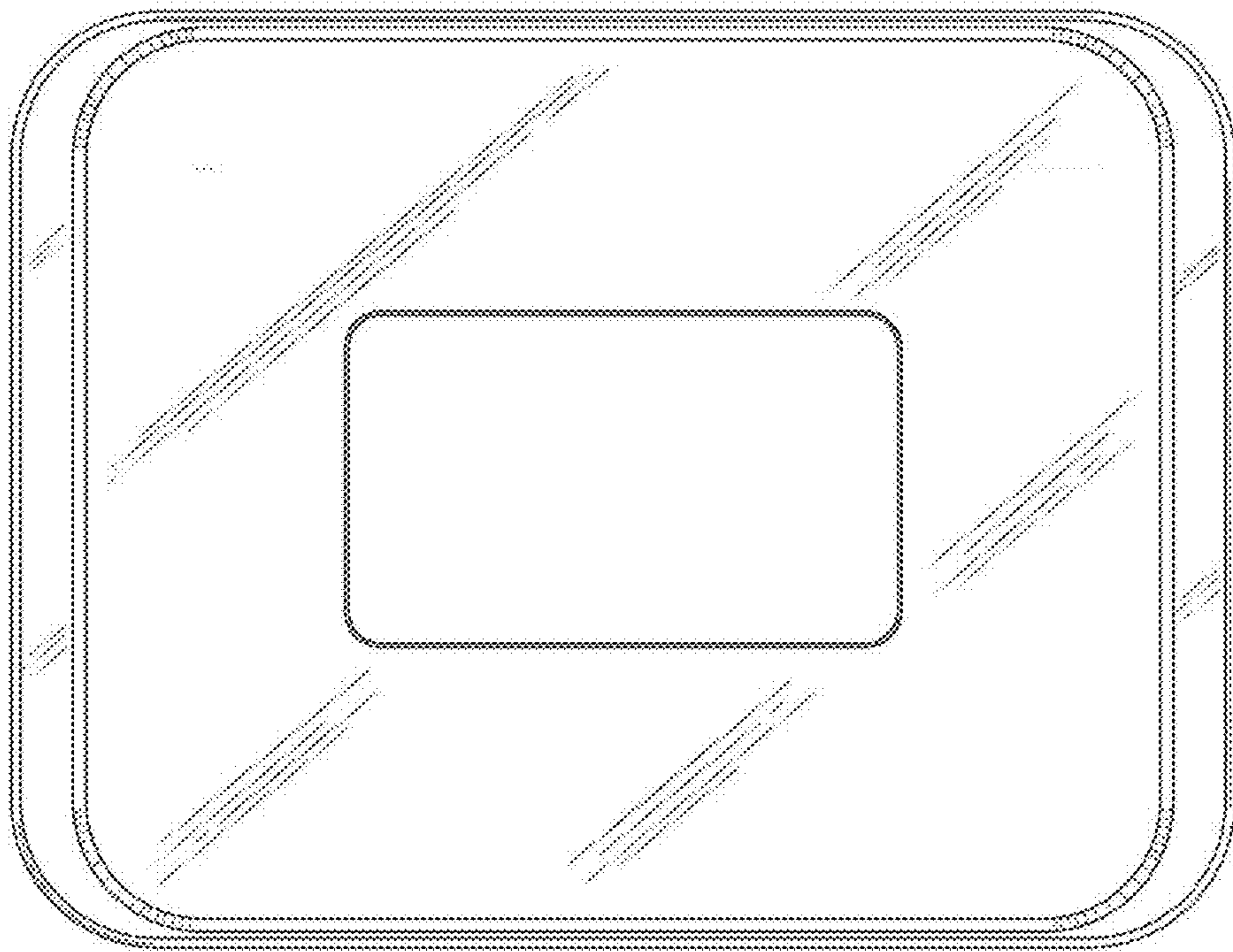


FIG. 15

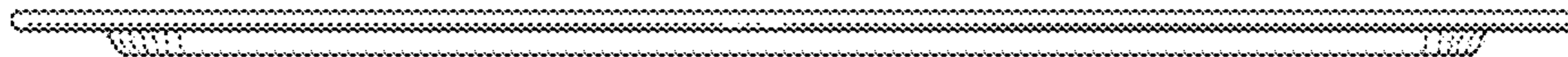




FIG. 16

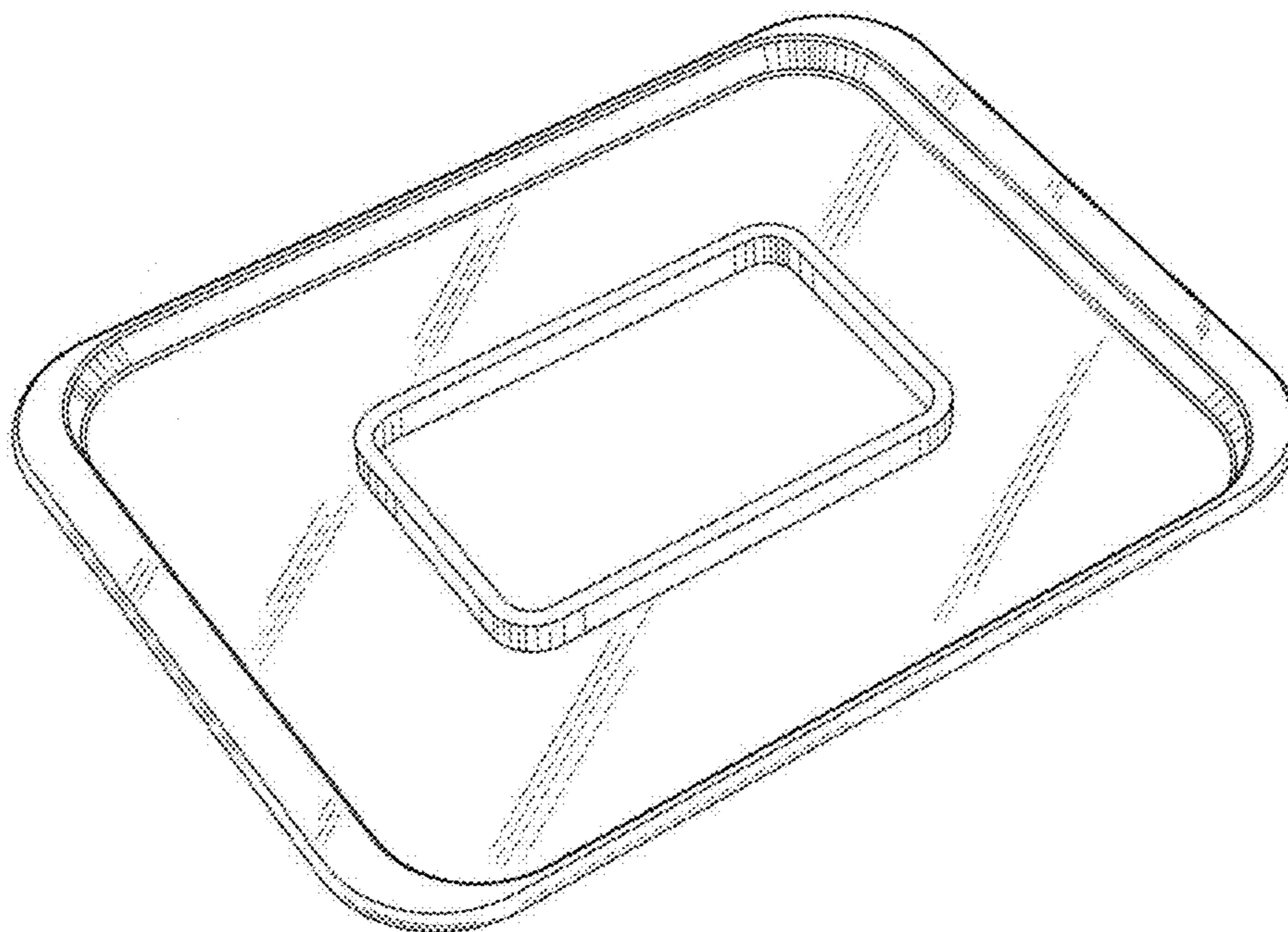


FIG. 17

