



US00D689729S

(12) **United States Design Patent**  
**Yan**

(10) **Patent No.:** **US D689,729 S**  
(45) **Date of Patent:** **\*\* Sep. 17, 2013**

- (54) **WAFFLEMAKER**
- (71) Applicant: **Hamilton Beach Brands, Inc.**, Glen Allen, VA (US)
- (72) Inventor: **Kensea Yan**, Zhejiang (CH)
- (73) Assignee: **Hamilton Beach Brands, Inc.**, Glen Allen, VA (US)
- (\*\*) Term: **14 Years**
- (21) Appl. No.: **29/445,884**
- (22) Filed: **Feb. 19, 2013**
- (51) **LOC (9) Cl.** ..... **07-02**
- (52) **U.S. Cl.**  
USPC ..... **D7/352**
- (58) **Field of Classification Search**  
USPC ..... D7/323, 329–331, 337, 339, 346–347, D7/350.1–350.4, 352–367, 391, 393, 395, D7/402, 409–410, 538, 542, 672–674; 99/324–325, 331–332, 337–349, 358, 369–378, 99/380, 389, 400–418, 422, 425, 444–446, 99/483; 126/37 R, 261, 378.1; 206/501–505, 206/507–508; 219/386, 400, 405, 429–442, 219/450.1, 452.13, 620–624, 725, 730–735; 220/23.8, 315, 573.1–573.5, 912; 426/438, 426/441, 549  
See application file for complete search history.

D409,876 S *	5/1999	Gruaz	.....	D7/352
D424,365 S *	5/2000	To	.....	D7/352
D430,453 S	9/2000	Lin		
D445,630 S *	7/2001	Hsu	.....	D7/352
D446,679 S *	8/2001	Lin	.....	D7/352
D450,977 S *	11/2001	Lin	.....	D7/352
D452,411 S	12/2001	Gruaz		
D453,658 S	2/2002	Brady et al.		
D473,417 S *	4/2003	Martres	.....	D7/352
6,889,602 B2 *	5/2005	Brady et al.	.....	99/378
D509,704 S *	9/2005	To	.....	D7/352
D522,306 S *	6/2006	Wilgus et al.	.....	D7/337
D532,642 S *	11/2006	Wilgus	.....	D7/337
D533,392 S *	12/2006	Yeung	.....	D7/352
D657,608 S *	4/2012	Lavy et al.	.....	D7/352
D657,609 S *	4/2012	Lavy et al.	.....	D7/352
D657,991 S	4/2012	Kennedy et al.		

\* cited by examiner

*Primary Examiner* — Ricky Pham

(74) *Attorney, Agent, or Firm* — Alexander R. Raring

(57) **CLAIM**

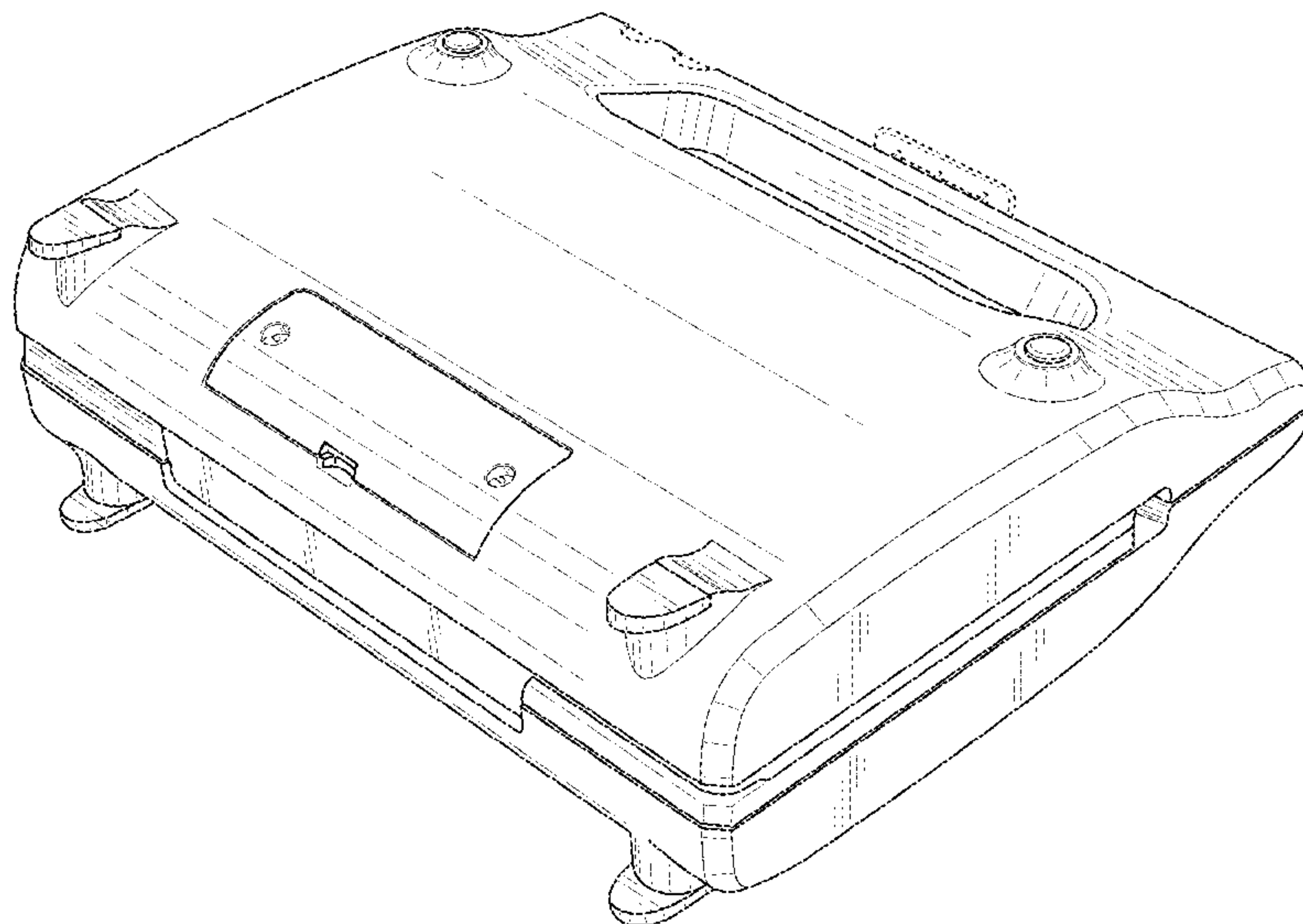
The ornamental design for a wafflemaker, as shown and described.

**DESCRIPTION**

FIG. 1 is a perspective view as seen from the bottom, rear and right side of a wafflemaker showing the new design;  
 FIG. 2 is a front view thereof;  
 FIG. 3 is a rear view thereof;  
 FIG. 4 is a bottom view thereof;  
 FIG. 5 is a top view thereof;  
 FIG. 6 is a right side view thereof; and,  
 FIG. 7 is a left side view thereof.  
 The broken lines in the drawings are included for illustrative purposes only and form no part of the claimed design.

**1 Claim, 7 Drawing Sheets**

- (56) **References Cited**  
U.S. PATENT DOCUMENTS  
D367,993 S 3/1996 McClean  
D367,994 S 3/1996 Bloom et al.  
D389,372 S 1/1998 Saltet



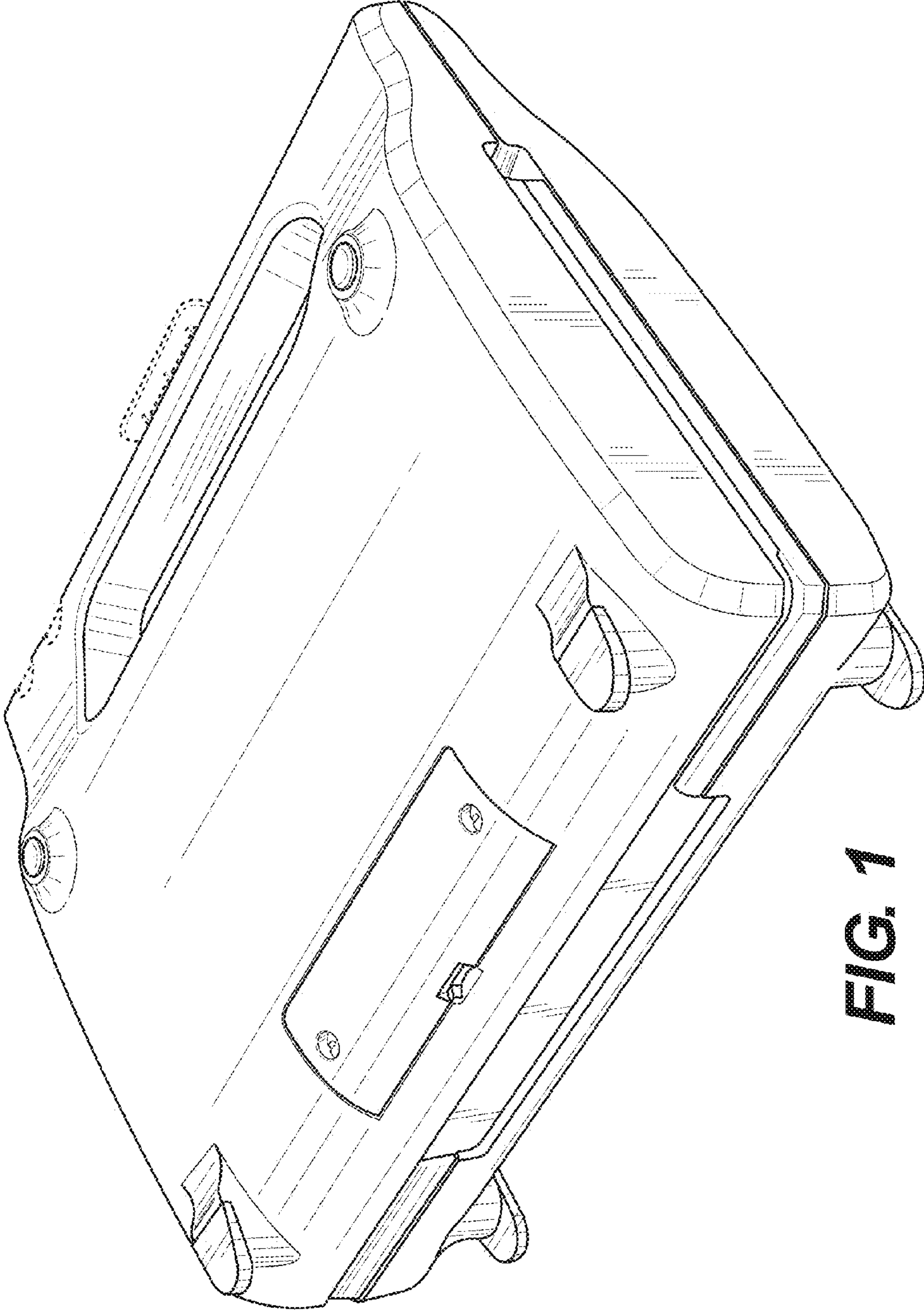
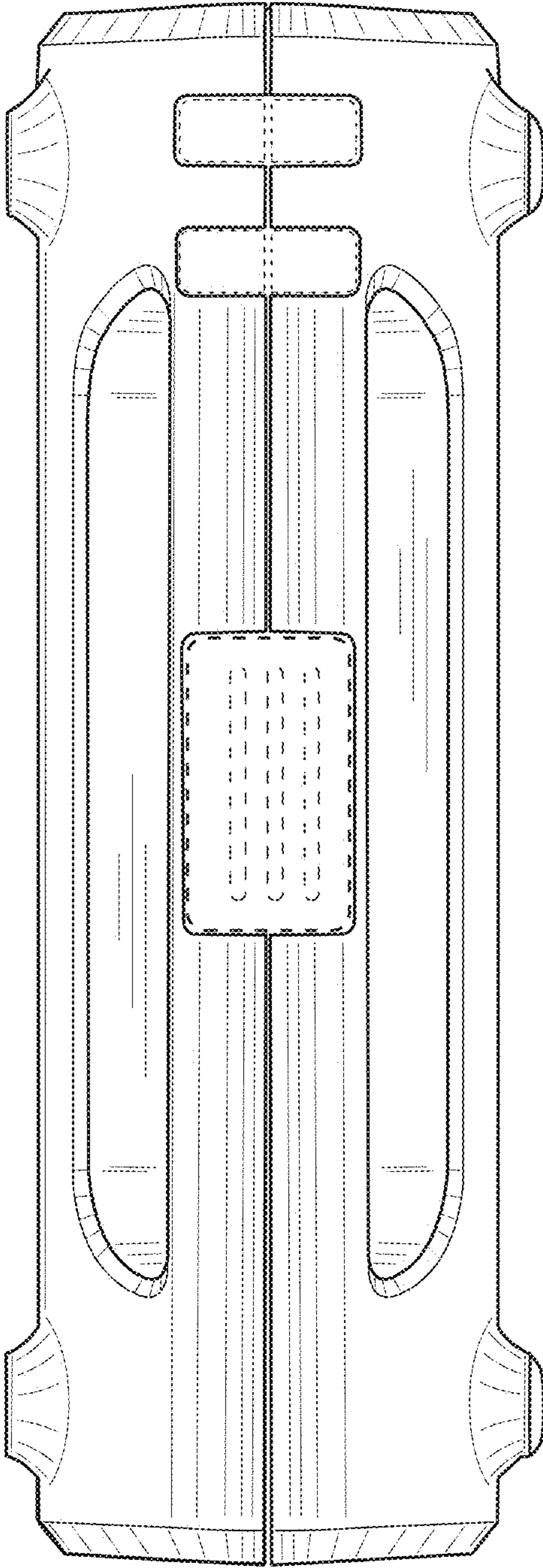
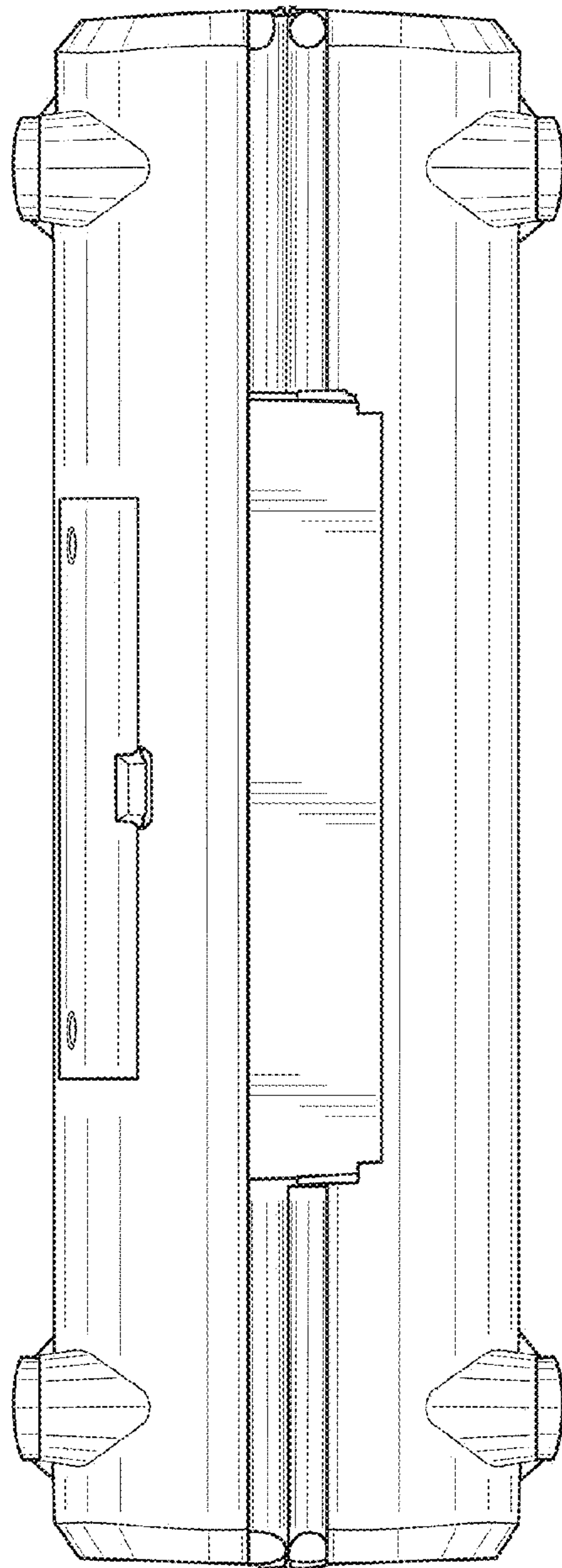


FIG. 1

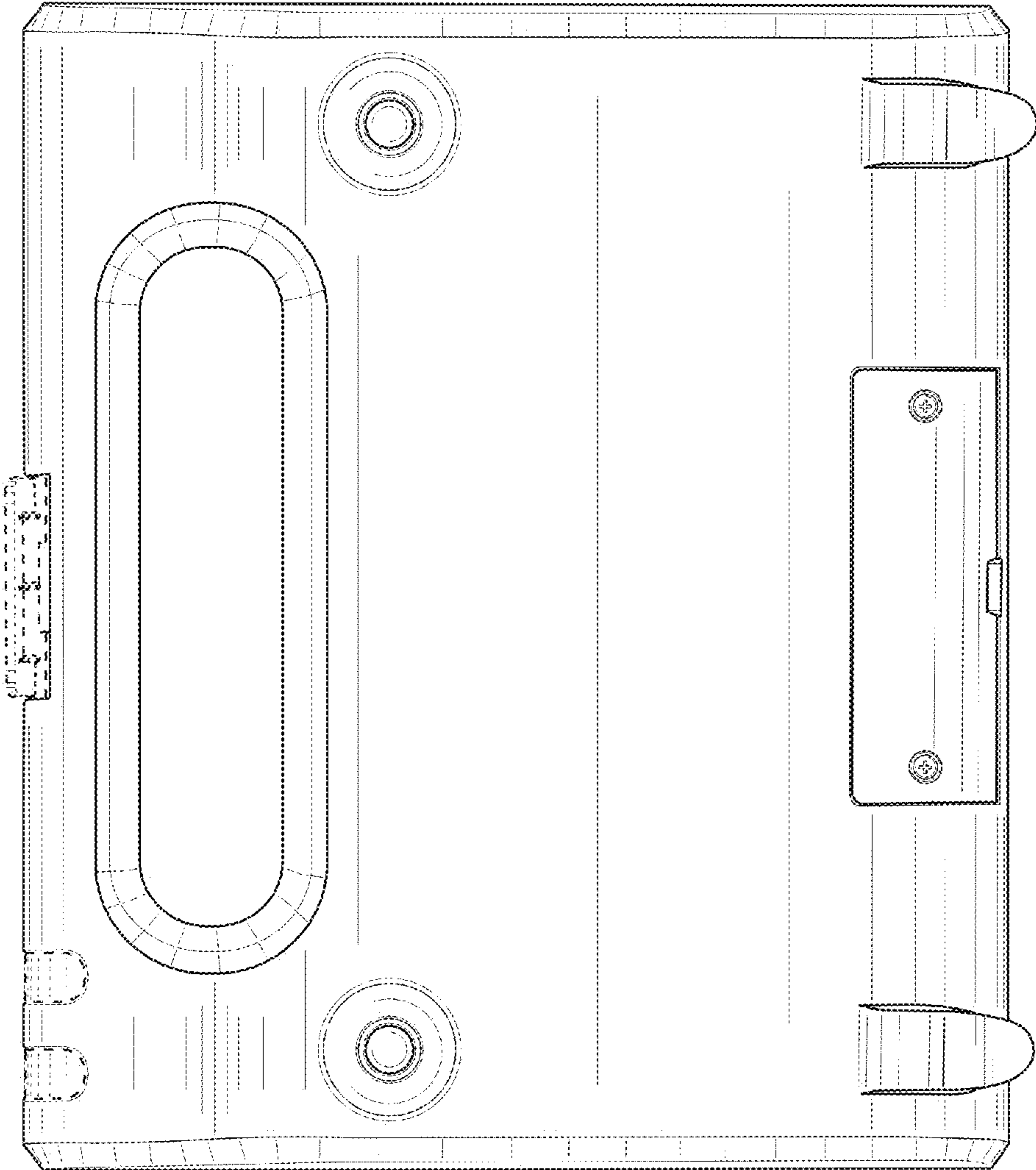


**FIG. 2**





**FIG. 3**



**FIG. 4**

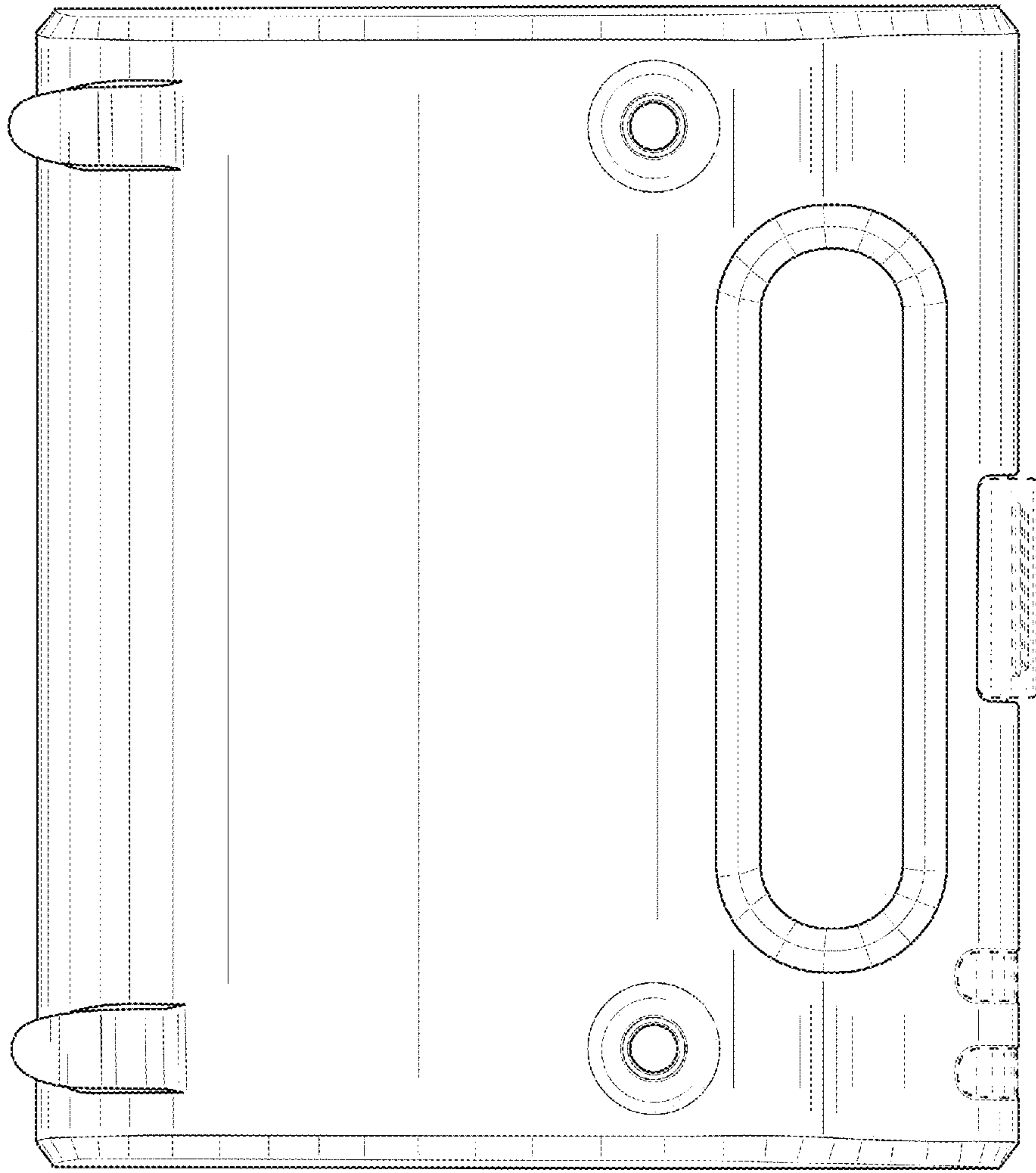
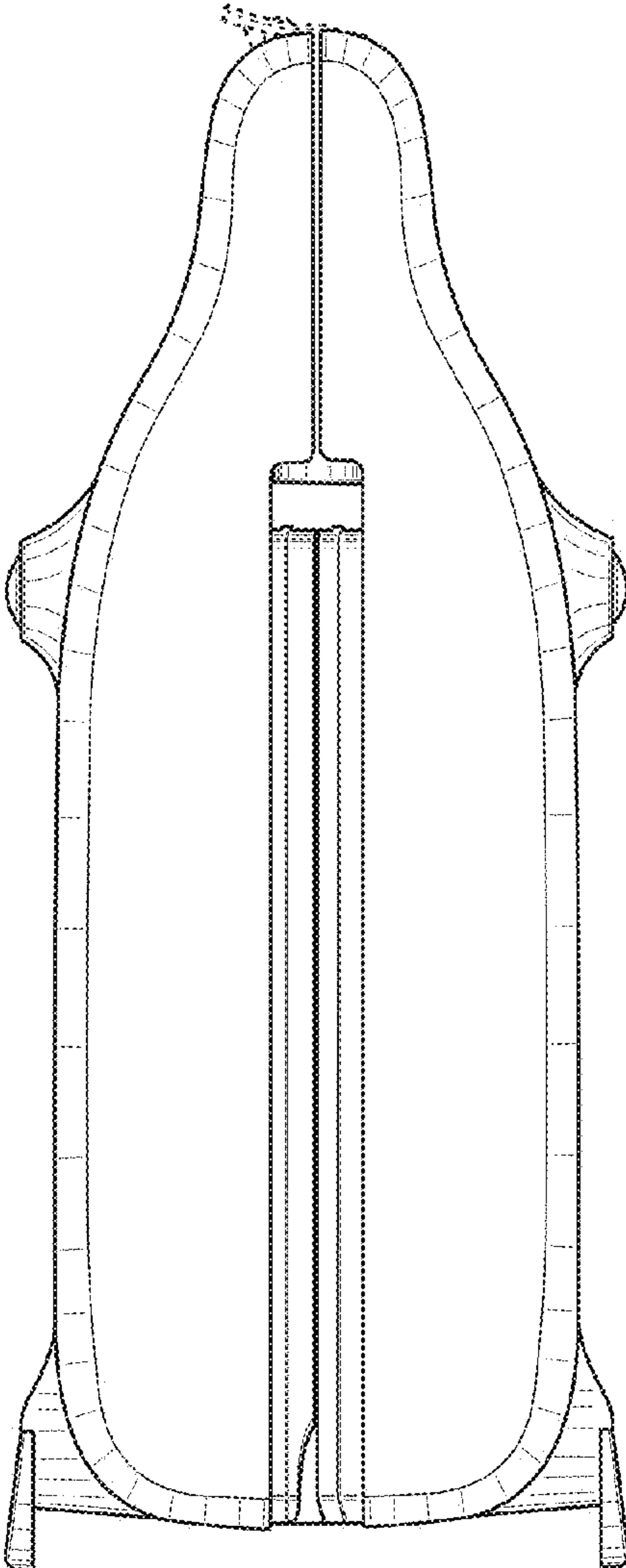


FIG. 5



**FIG. 6**

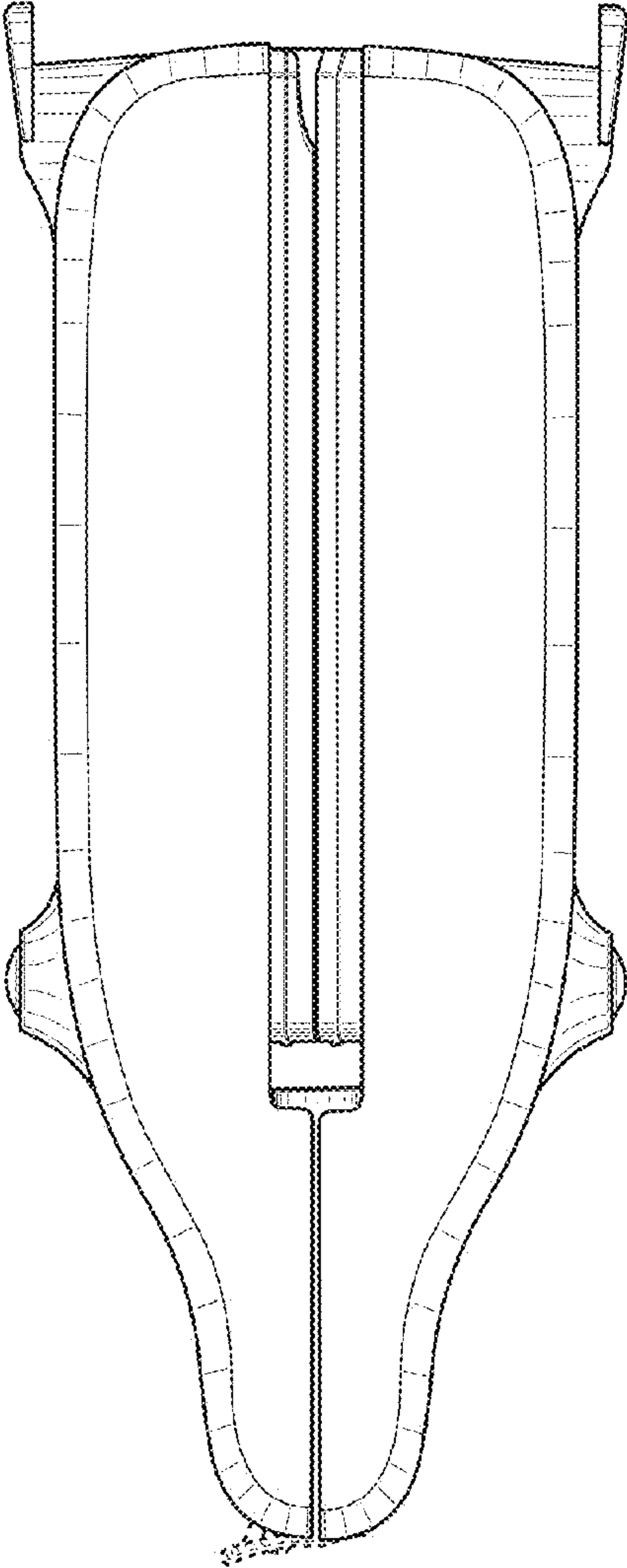


FIG. 7