



US00D689728S

(12) **United States Design Patent**  
**Steiner**

(10) **Patent No.:** **US D689,728 S**

(45) **Date of Patent:** **\*\* Sep. 17, 2013**

(54) **GRILL**

(71) Applicant: **Hamilton Beach Brands, Inc.**, Glen Allen, VA (US)

(72) Inventor: **Mark C Steiner**, Midlothian, VA (US)

(73) Assignee: **Hamilton Beach Brands, Inc.**, Glen Allen, VA (US)

(\*\*) Term: **14 Years**

(21) Appl. No.: **29/445,722**

(22) Filed: **Feb. 15, 2013**

(51) **LOC (9) Cl.** ..... **07-02**

(52) **U.S. Cl.**  
USPC ..... **D7/352**

(58) **Field of Classification Search**  
USPC ..... D7/323, 329–331, 337, 339, 346–347,  
D7/350.1–350.4, 352–367, 391, 393, 395,  
D7/402, 409–410, 538, 542, 672–674;  
99/324–325, 331–332, 337–349, 358, 369–376,  
99/380, 389, 400–418, 422, 425, 444–446,  
99/483; 126/37 R, 261, 378.1; 206/501–505,  
206/507–508; 219/386, 400, 405, 429–442,  
219/450.1, 452.13, 620–624, 725, 730–735;  
220/23.8, 315, 573.1–573.5, 912; 426/438,  
426/441, 549

See application file for complete search history.

(56) **References Cited**

U.S. PATENT DOCUMENTS

D452,109	S	*	12/2001	Hensel	.....	D7/352
D509,703	S	*	9/2005	Barker	.....	D7/352
D527,941	S	*	9/2006	Serra	.....	D7/352
D546,619	S	*	7/2007	McHutchison	.....	D7/352
D572,968	S	*	7/2008	Doo	.....	D7/352
D591,550	S	*	5/2009	Lam	.....	D7/337
D622,538	S	*	8/2010	Hoare et al.	.....	D7/352
D634,969	S		3/2011	De'Longhi		
D644,477	S	*	9/2011	Burton et al.	.....	D7/362
8,156,860	B2	*	4/2012	Liu et al.	.....	99/372
D671,791	S	*	12/2012	Cesaroni et al.	.....	D7/352
D679,129	S	*	4/2013	Cesaroni et al.	.....	D7/352
2005/0139086	A1	*	6/2005	McHutchison	.....	99/389
2007/0017384	A1	*	1/2007	Serra	.....	99/372

\* cited by examiner

*Primary Examiner* — Ricky Pham

(74) *Attorney, Agent, or Firm* — Alexander D. Raring

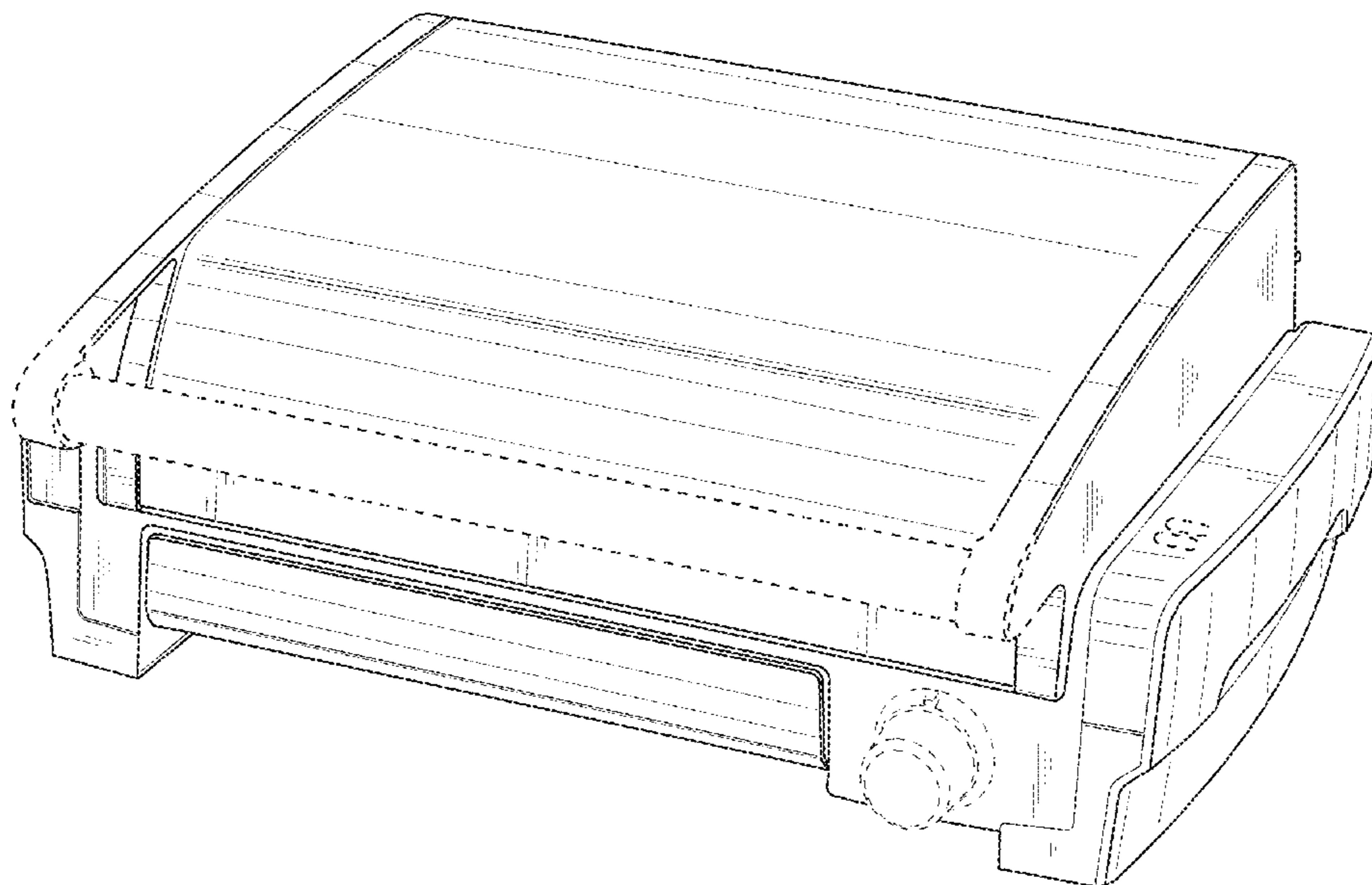
(57) **CLAIM**

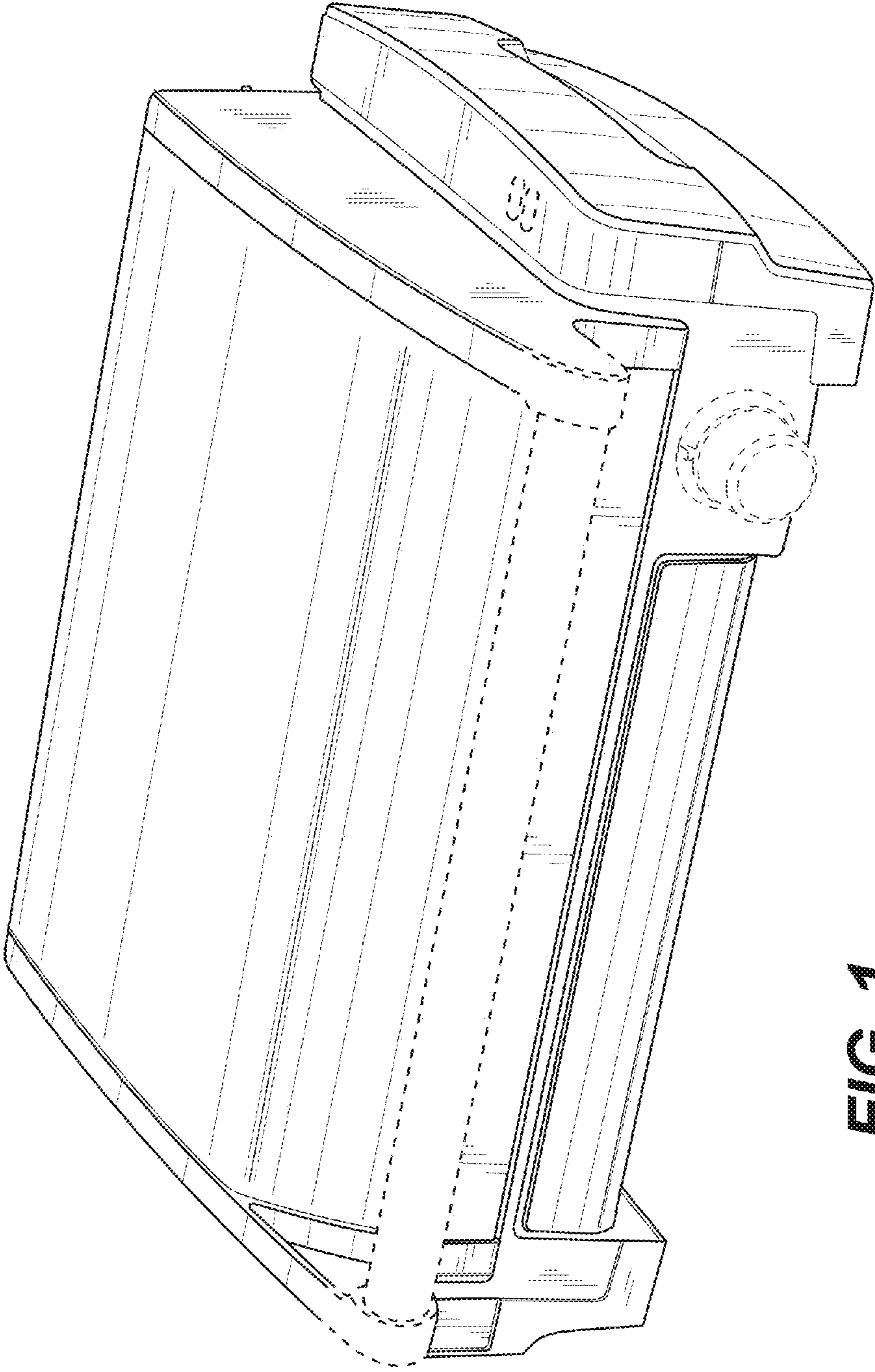
The ornamental design for a grill, as shown and described.

**DESCRIPTION**

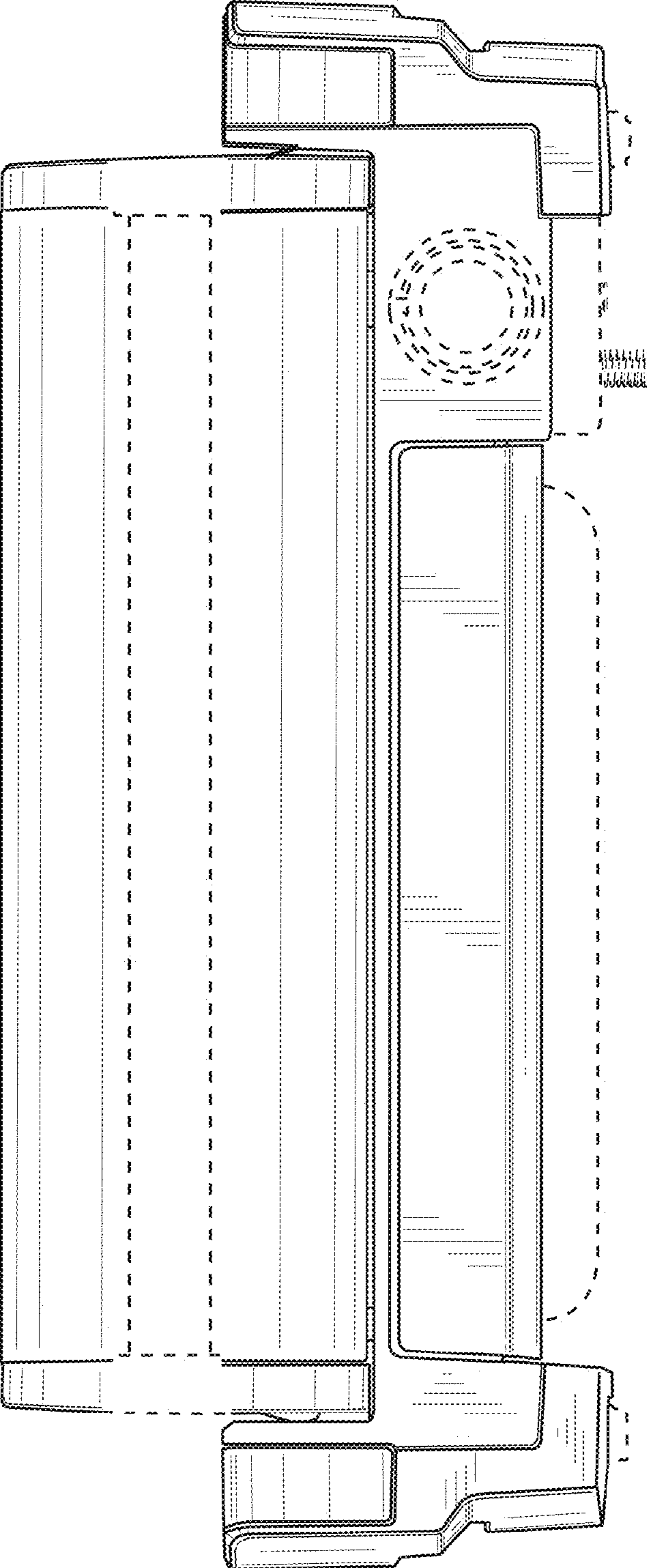
FIG. 1 is a perspective view as seen from the top, front and right side of a grill showing the new design;  
FIG. 2 is a front view thereof;  
FIG. 3 is a rear view thereof;  
FIG. 4 is a left side view thereof;  
FIG. 5 is a right side view thereof;  
FIG. 6 is a top view thereof; and,  
FIG. 7 is a bottom view thereof.  
The broken lines in the drawings are included for illustrative purposes only and form no part of the claimed design.

**1 Claim, 7 Drawing Sheets**





**FIG. 1**



**FIG. 2**

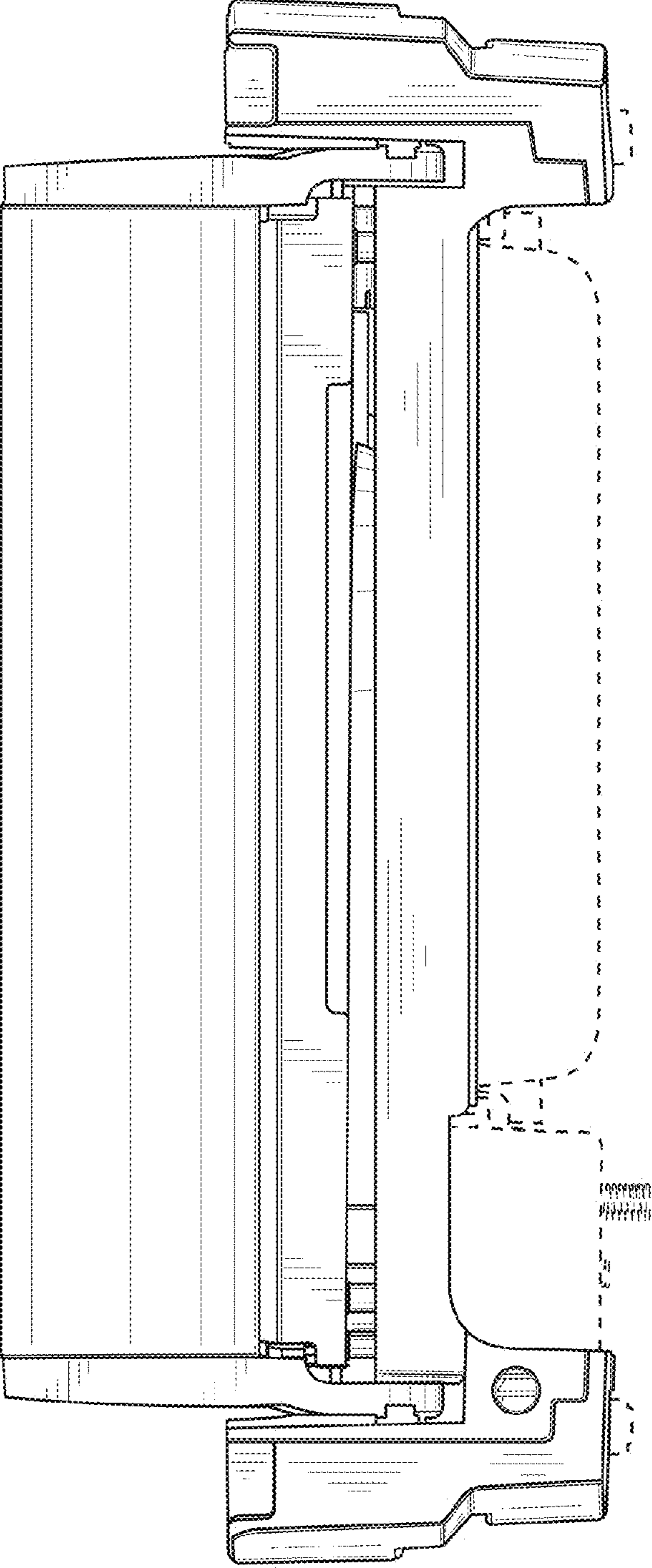
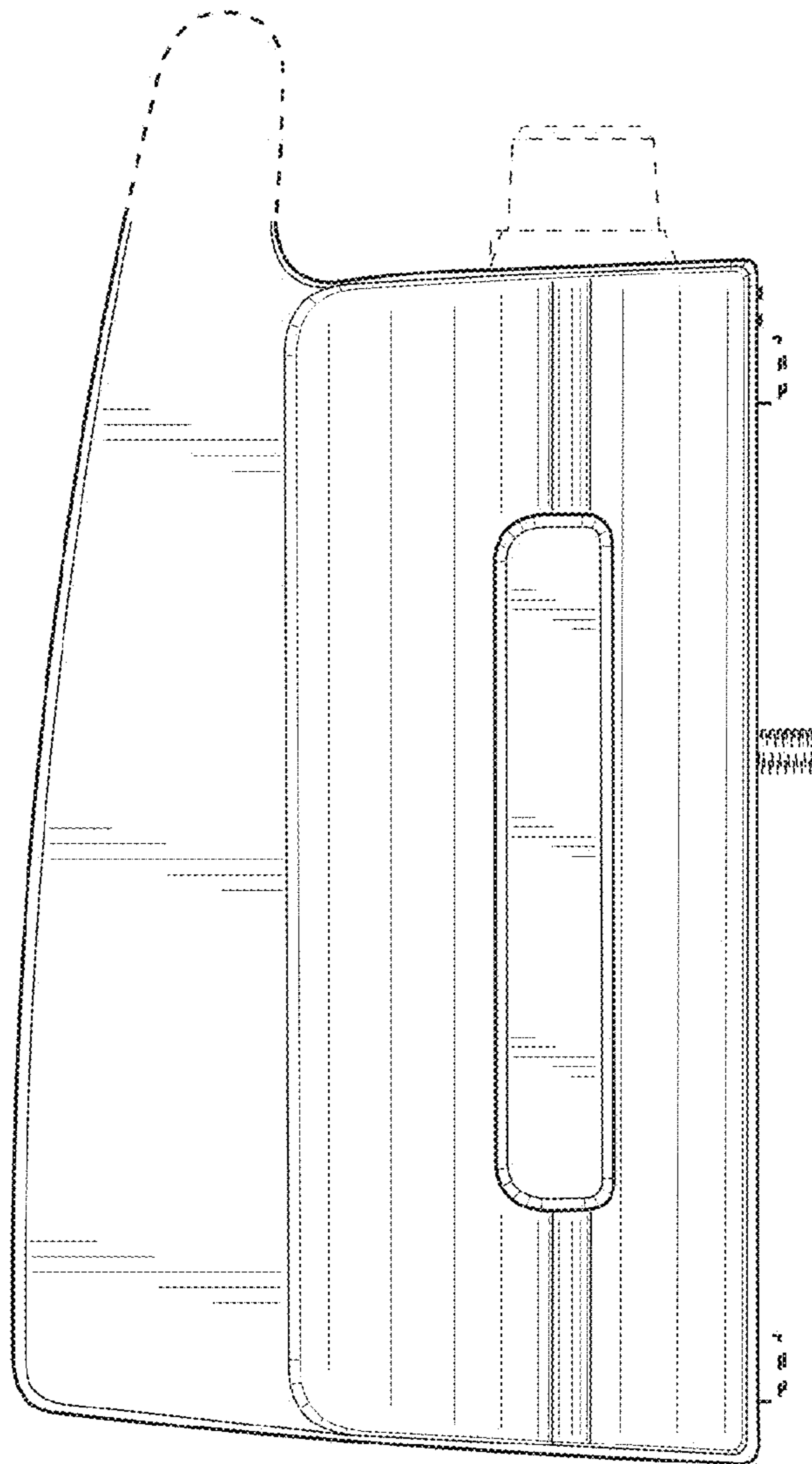


FIG. 3



**FIG. 4**

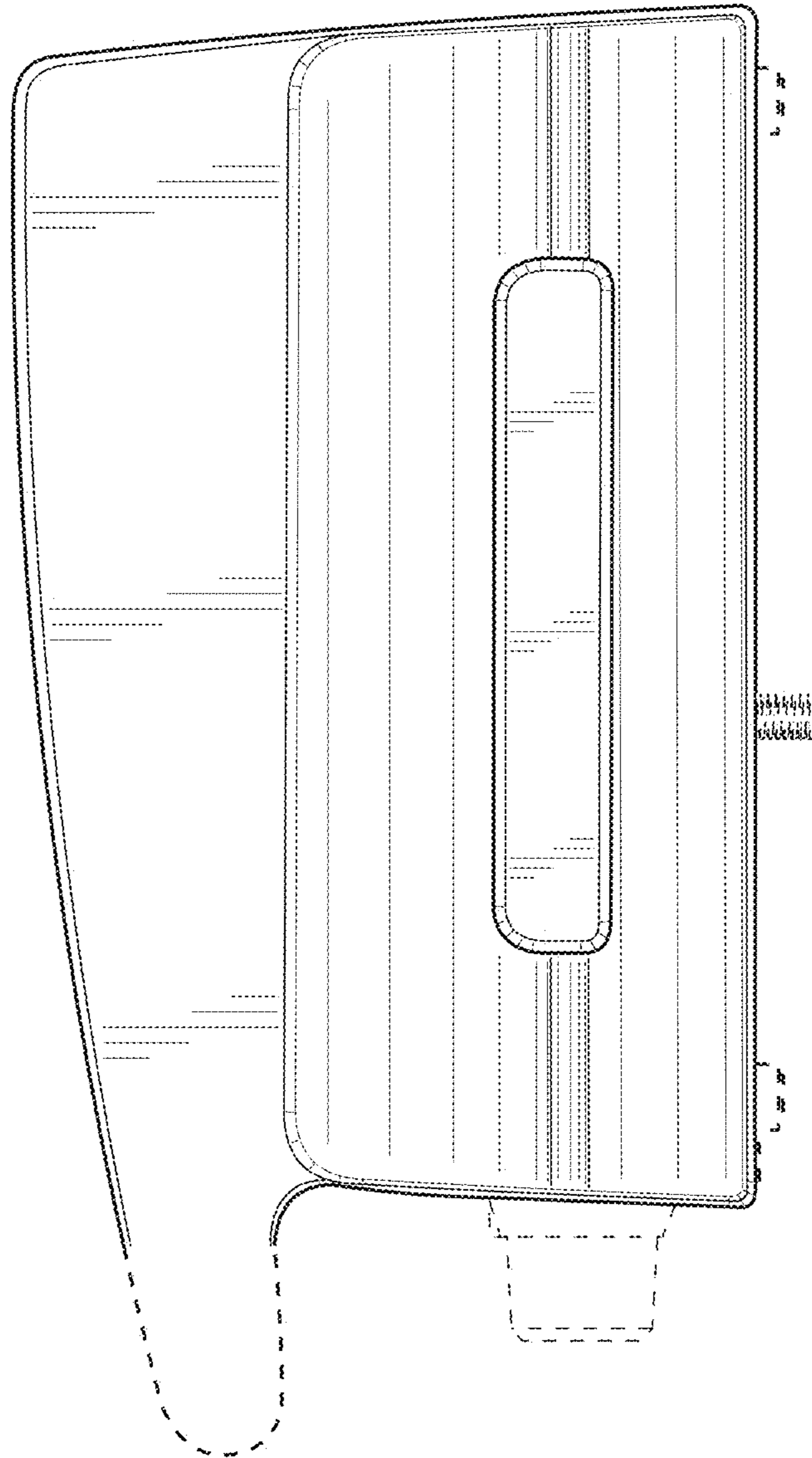


FIG. 5

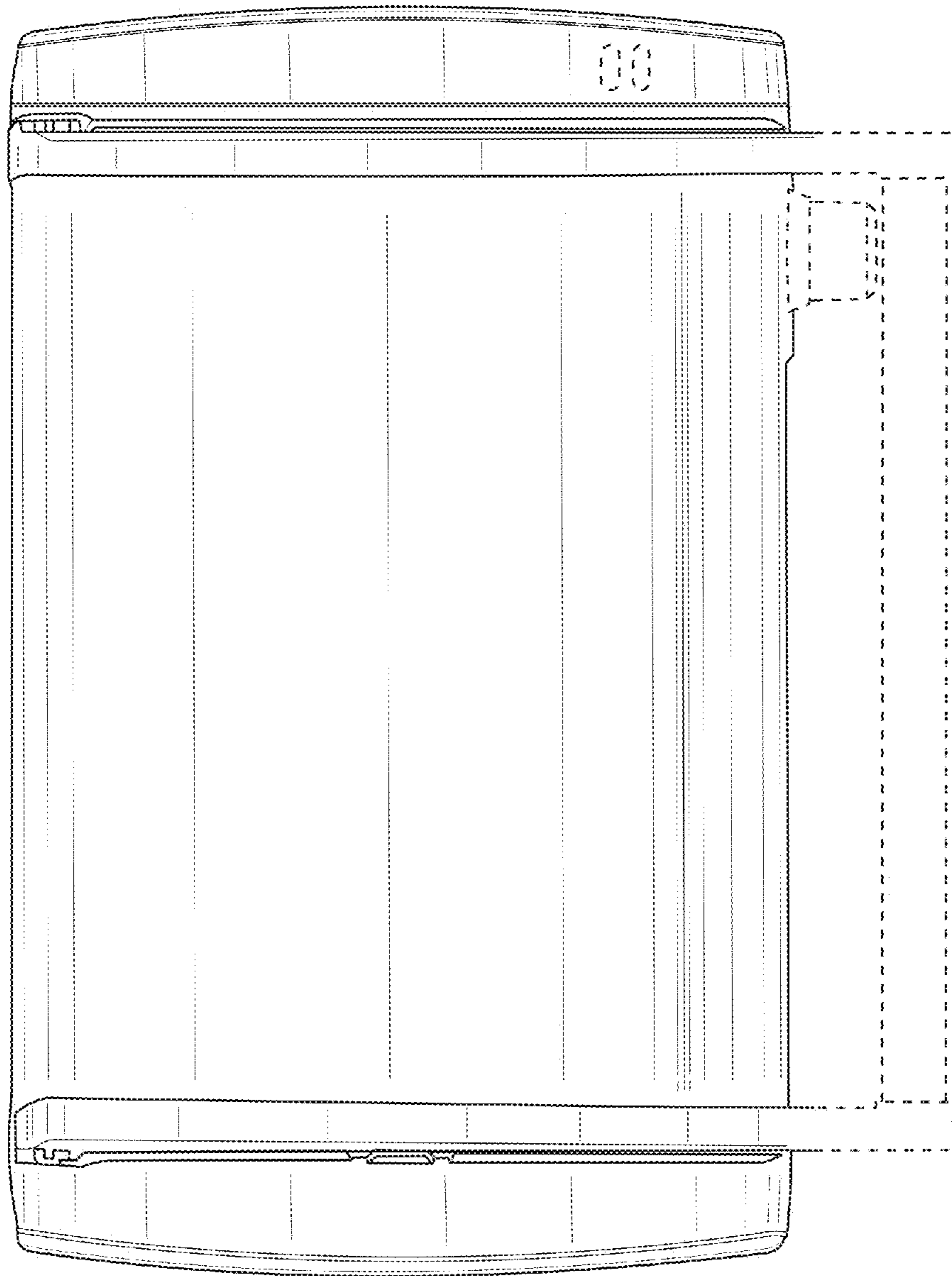


FIG. 6

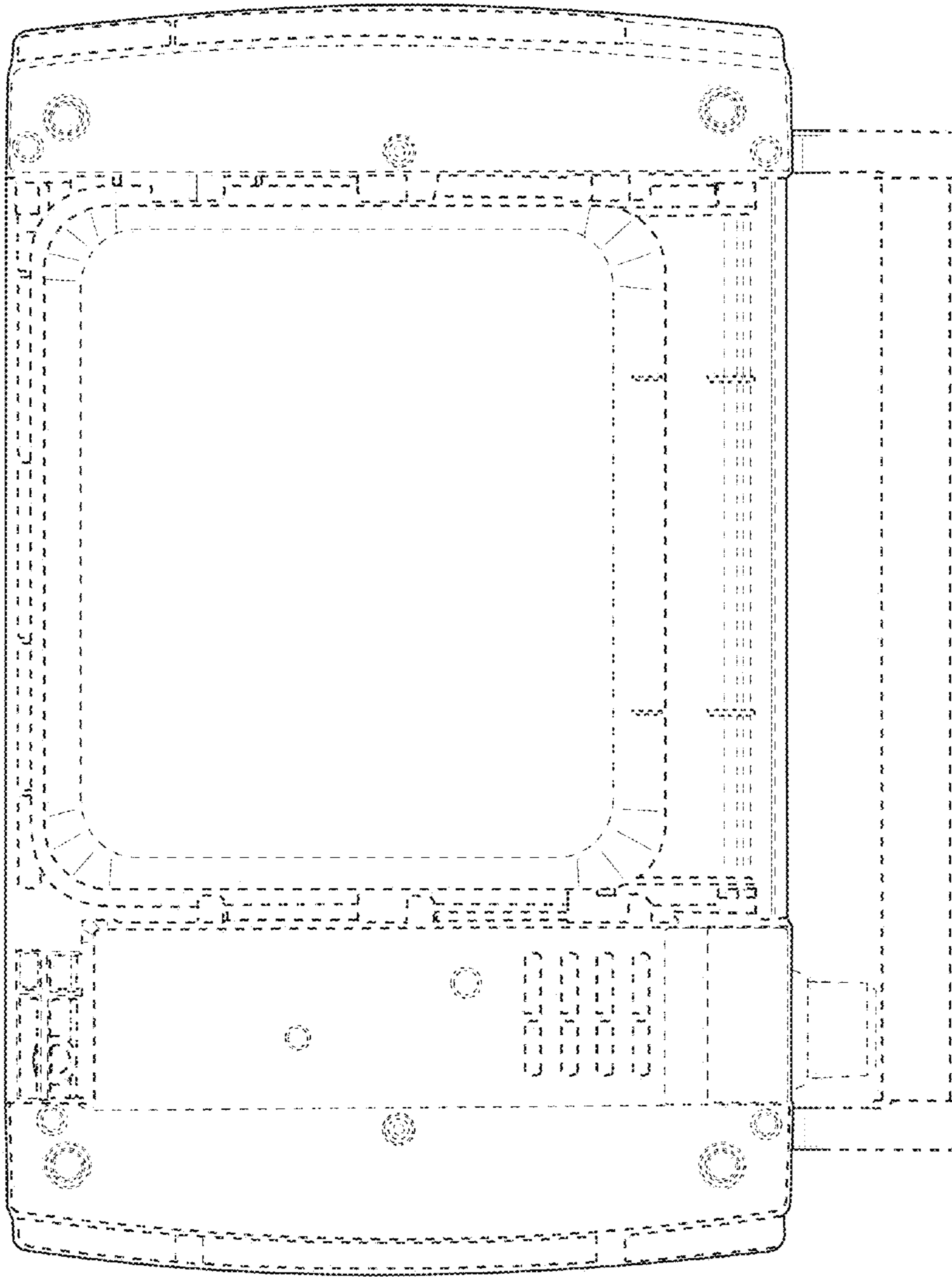


FIG. 7