



US00D689726S

(12) **United States Design Patent**
Romandy et al.

(10) **Patent No.:** **US D689,726 S**

(45) **Date of Patent:** **** Sep. 17, 2013**

(54) **COFFEEMAKER**

(75) Inventors: **Mark K. Romandy**, Midlothian, VA
(US); **Guoyao Ye**, Glen Allen, VA (US)

(73) Assignee: **Hamilton Beach Brands, Inc**, Glen
Allen, VA (US)

(**) Term: **14 Years**

(21) Appl. No.: **29/426,623**

(22) Filed: **Jul. 9, 2012**

(51) **LOC (9) Cl.** **07-01**

(52) **U.S. Cl.**
USPC **D7/309; D7/311**

(58) **Field of Classification Search**
USPC D7/309-311, 300, 305; 99/279,
99/284, 290

See application file for complete search history.

(56) **References Cited**

U.S. PATENT DOCUMENTS

D318,973	S	*	8/1991	Hasslacher	D7/308
5,724,883	A	*	3/1998	Usherovich	99/290
D430,448	S	*	9/2000	De' Longhi	D7/309
D431,409	S	*	10/2000	Man	D7/309
D484,734	S	*	1/2004	Drobeck	D7/309
D490,265	S	*	5/2004	Claassen	D7/308
D585,691	S	*	2/2009	Borin	D7/309

D628,007	S	*	11/2010	Di Bitonto et al.	D7/310
D640,083	S	*	6/2011	Davenport	D7/309
D658,423	S	*	5/2012	Curtis et al.	D7/309
D666,864	S	*	9/2012	Dahlstrom	D7/309
D669,295	S	*	10/2012	Koury et al.	D7/310
D675,471	S	*	2/2013	Averty	D7/309
D678,718	S	*	3/2013	Grassia	D7/399
D685,600	S	*	7/2013	White	D7/309

* cited by examiner

Primary Examiner — Marianne Pandozzi

(74) *Attorney, Agent, or Firm* — Alexander D Raring

(57) **CLAIM**

The ornamental design for a coffeemaker, as shown and described.

DESCRIPTION

FIG. 1 is a perspective view of a coffeemaker as shown from the top, front, and right side showing the new design;

FIG. 2 is a front view thereof;

FIG. 3 is a rear view thereof;

FIG. 4 is a left side view thereof;

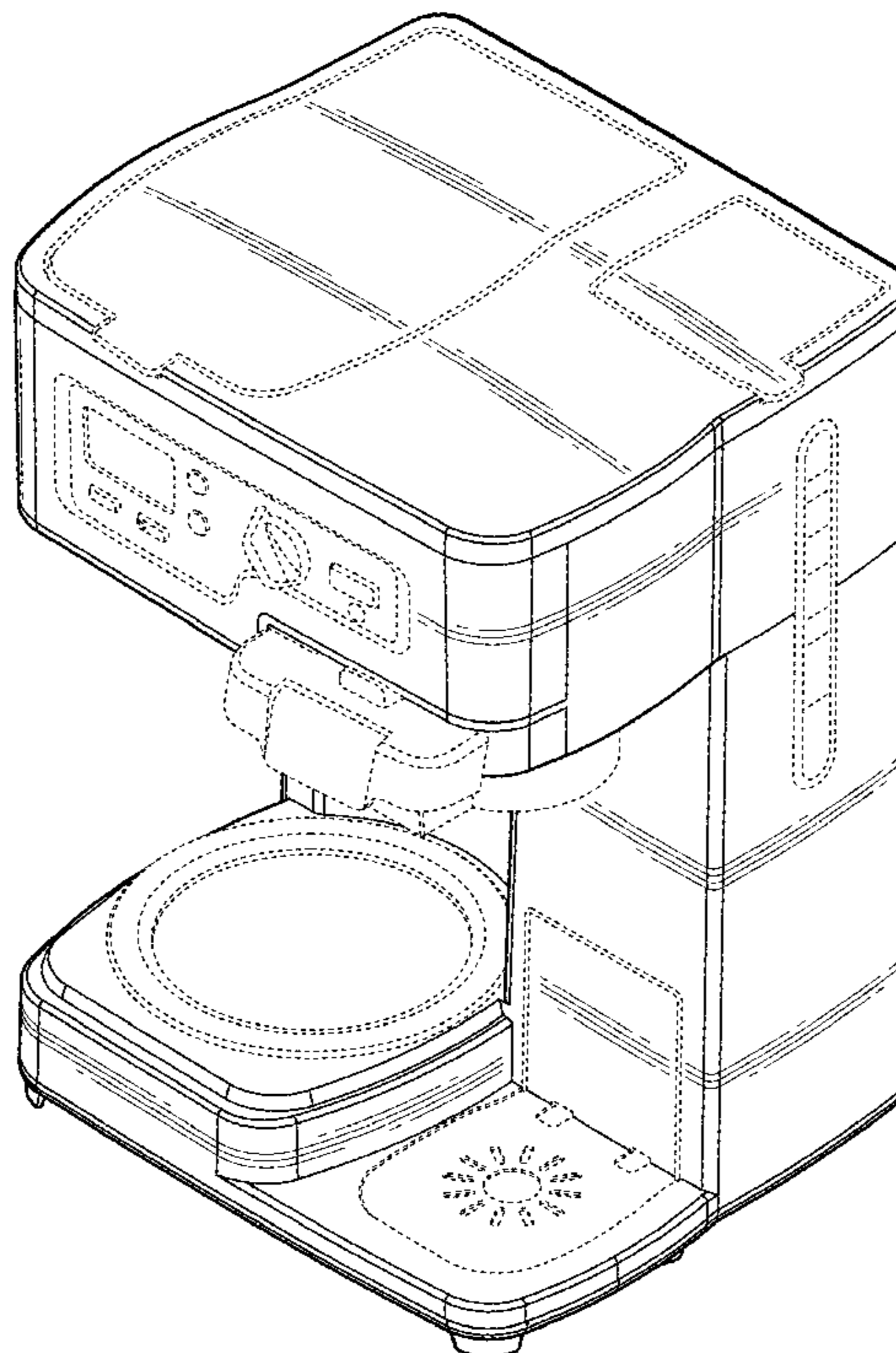
FIG. 5 is a right side view thereof;

FIG. 6 is a top view thereof; and,

FIG. 7 is a bottom view thereof.

The broken lines in the drawings are included for illustrative purposes only and form no part of the claimed design.

1 Claim, 4 Drawing Sheets



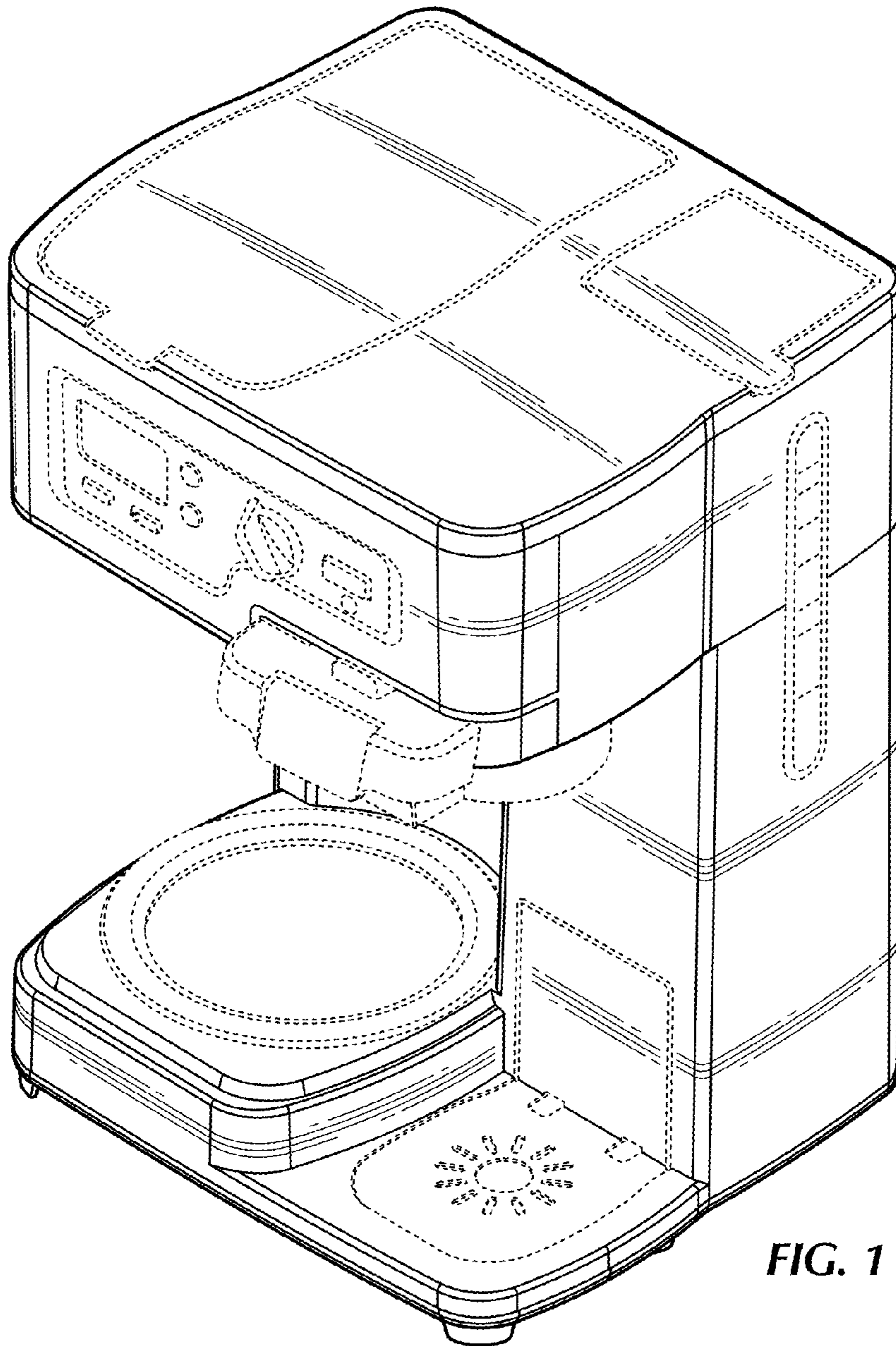


FIG. 1

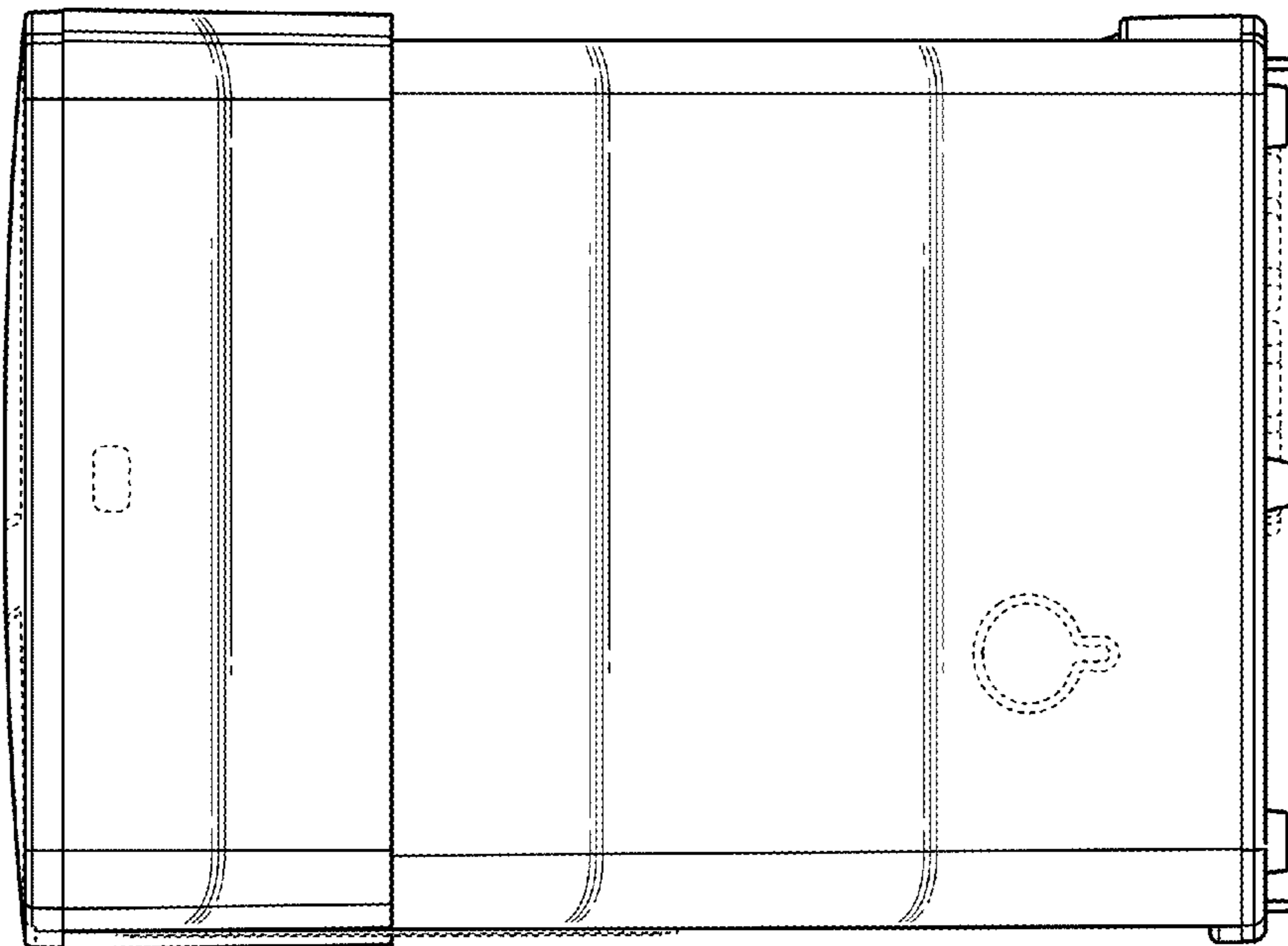


FIG. 3

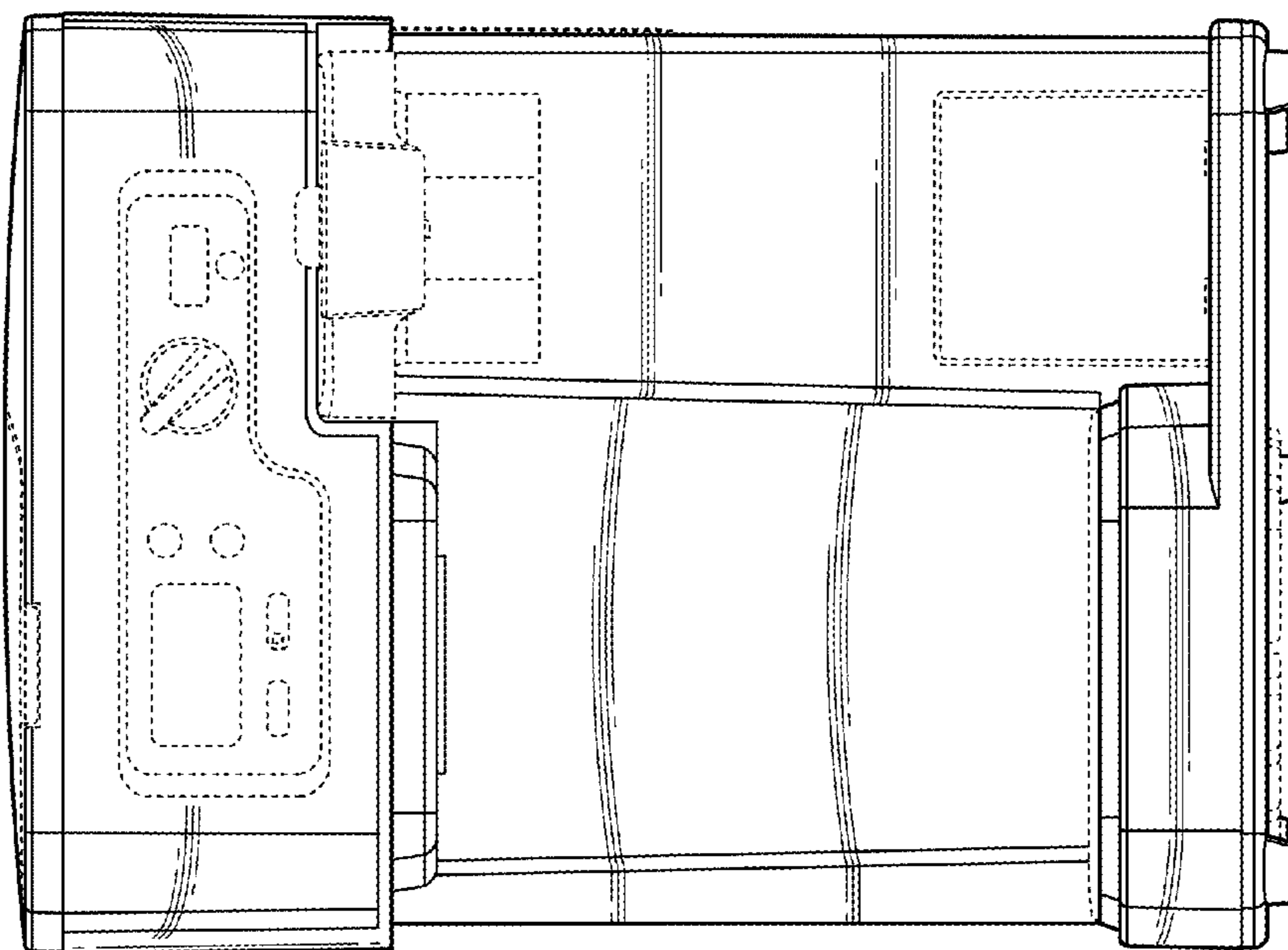


FIG. 2

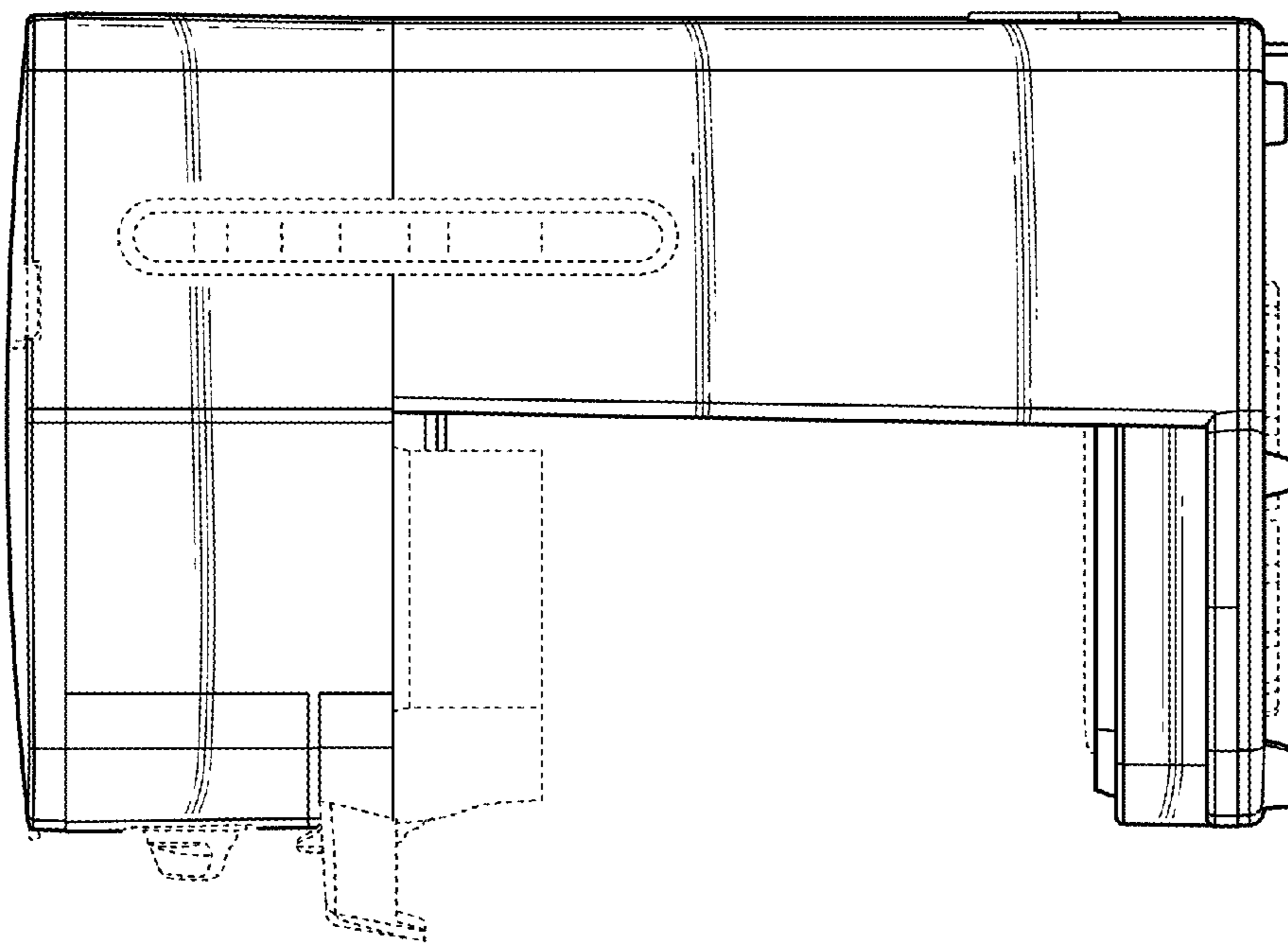


FIG. 5

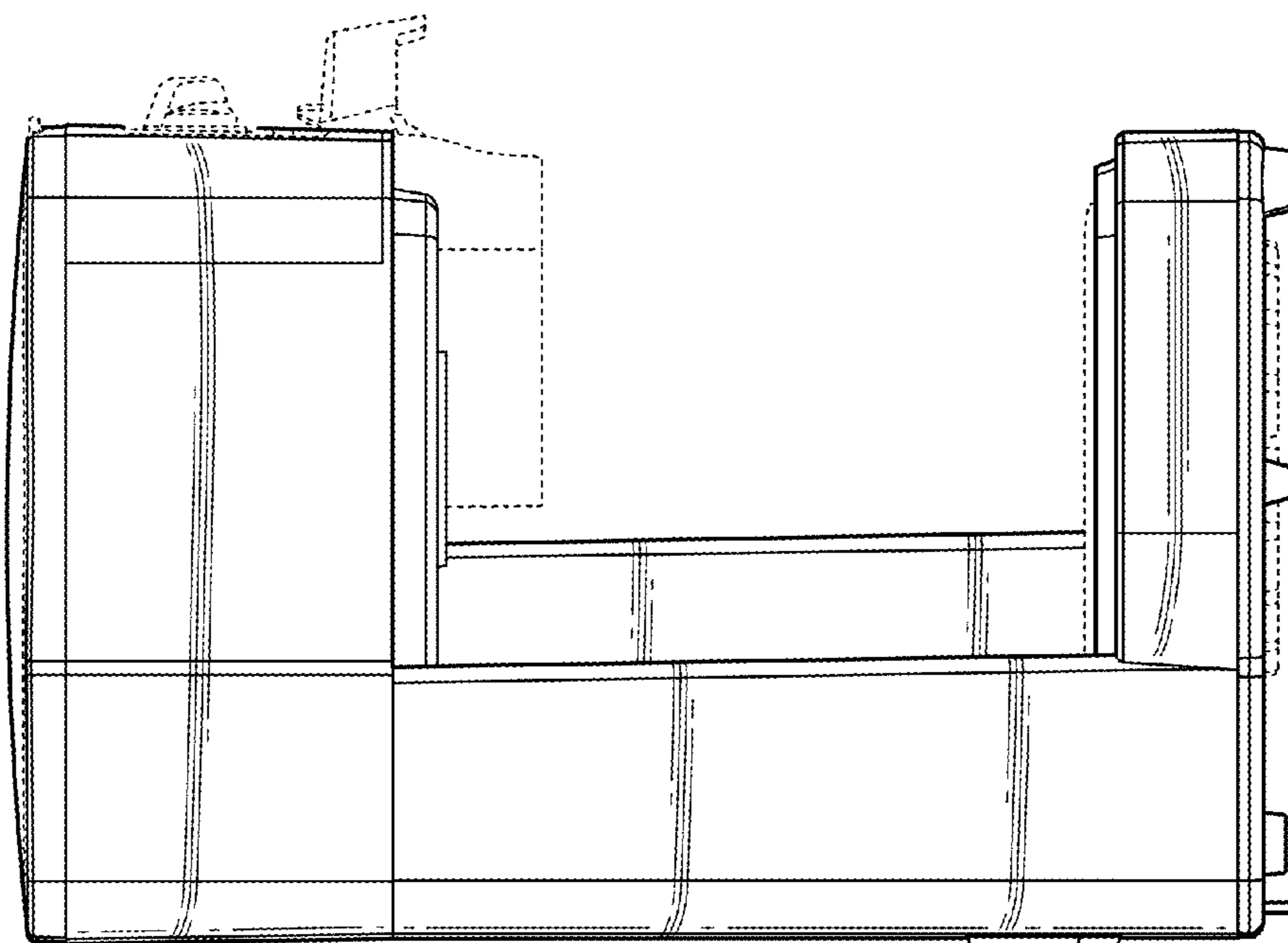


FIG. 4

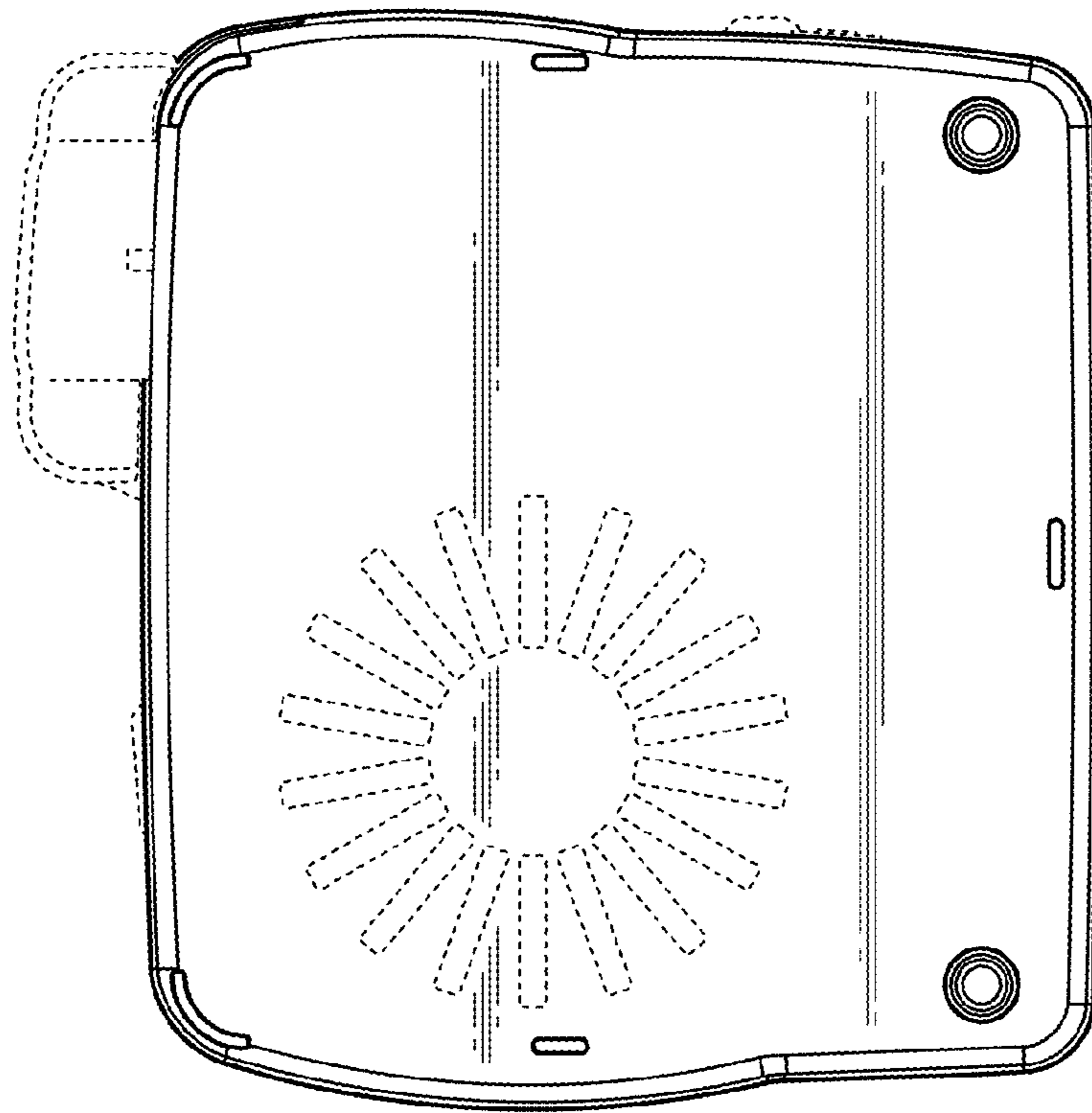


FIG. 7

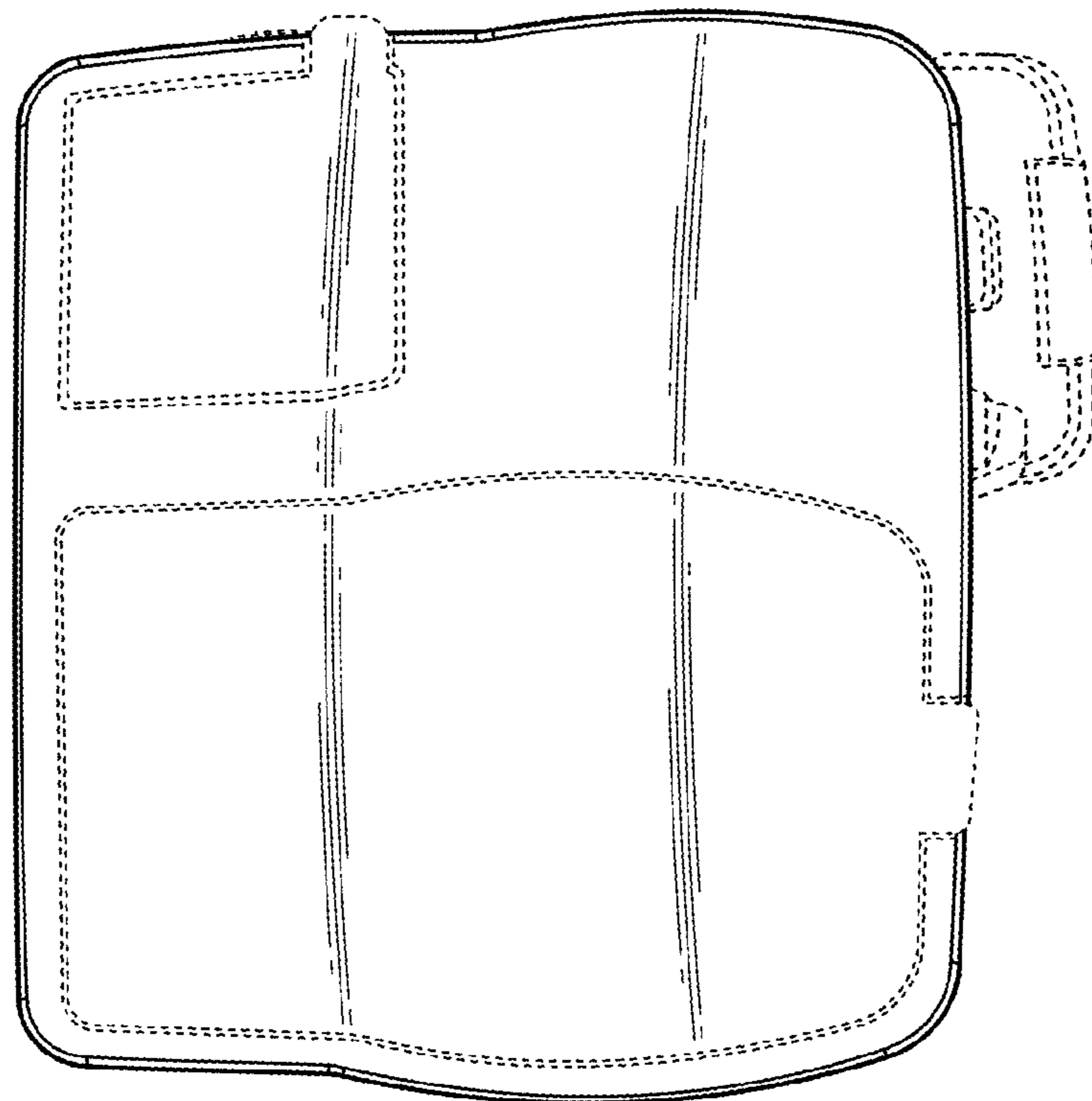


FIG. 6