



US00D689725S

(12) **United States Design Patent**
Hamilton et al.

(10) **Patent No.:** **US D689,725 S**

(45) **Date of Patent:** **** *Sep. 17, 2013**

(54) **SEAT PORTION**

D284,142 S 6/1986 Raftery
D293,630 S 1/1988 Stewart
D318,183 S 7/1991 Fister, Jr.
D329,543 S 9/1992 Shields

(75) Inventors: **John Hamilton**, San Rafael, CA (US);
Jay Armstrong Grandin, North
Vancouver (CA); **Bruce Michael Smith**,
Grand Rapids, MI (US); **James Ludwig**,
Grand Rapids, MI (US); **Terence Sean**
Yoo, Distrito Federal (MX); **Robert**
Peter Arko, San Francisco, CA (US);
Justin Champaign, San Francisco, CA
(US)

(Continued)

OTHER PUBLICATIONS

Metropolitan Furniture Corporation. "Contract Bench". Interiors
catalog. Copyright Apr. 1961.

(Continued)

(73) Assignee: **Steelcase, Inc.**, Grand Rapids, MI (US)

Primary Examiner — Sandra Snapp

(74) *Attorney, Agent, or Firm* — Quarles & Brady LLP

(*) Notice: This patent is subject to a terminal dis-
claimer.

(57) **CLAIM**

The ornamental design for a seat portion, as shown and
described.

(**) Term: **14 Years**

DESCRIPTION

(21) Appl. No.: **29/390,338**

(22) Filed: **Apr. 22, 2011**
(Under 37 CFR 1.47)

(51) **LOC (9) Cl.** **06-01**

(52) **U.S. Cl.**
USPC **D6/716.1**

(58) **Field of Classification Search**
USPC D6/334, 335, 337, 374, 379, 380,
D6/381, 491, 492, 495, 500-502, 716, 716.1,
D6/716.2, 717; 297/118, 300.1, 302.1, 311,
297/313, 353, 354.1, 445.1, 446.1, 446.2,
297/447.4, 464, 465, 900, DIG. 2, DIG. 7;
5/12.1, 12.2

See application file for complete search history.

FIG. 1 is a left, top, front perspective view of a seat portion
according to our new design, the bottom thereof being unseen
in use;

FIG. 2 is a top, rear perspective view from the left side thereof;

FIG. 3 is a front elevational view thereof;

FIG. 4 is a rear elevational view thereof;

FIG. 5 is a left side elevational view thereof;

FIG. 6 is a top plan view thereof;

FIG. 7 is a left, top, front perspective view of a seat portion
according to another embodiment of our new design, the
bottom thereof being unseen in use;

FIG. 8 is a top, rear perspective view from the left side thereof;

FIG. 9 is a front elevational view thereof;

FIG. 10 is a rear elevational view thereof;

FIG. 11 is a left side elevational view thereof; and,

FIG. 12 is a top plan view thereof.

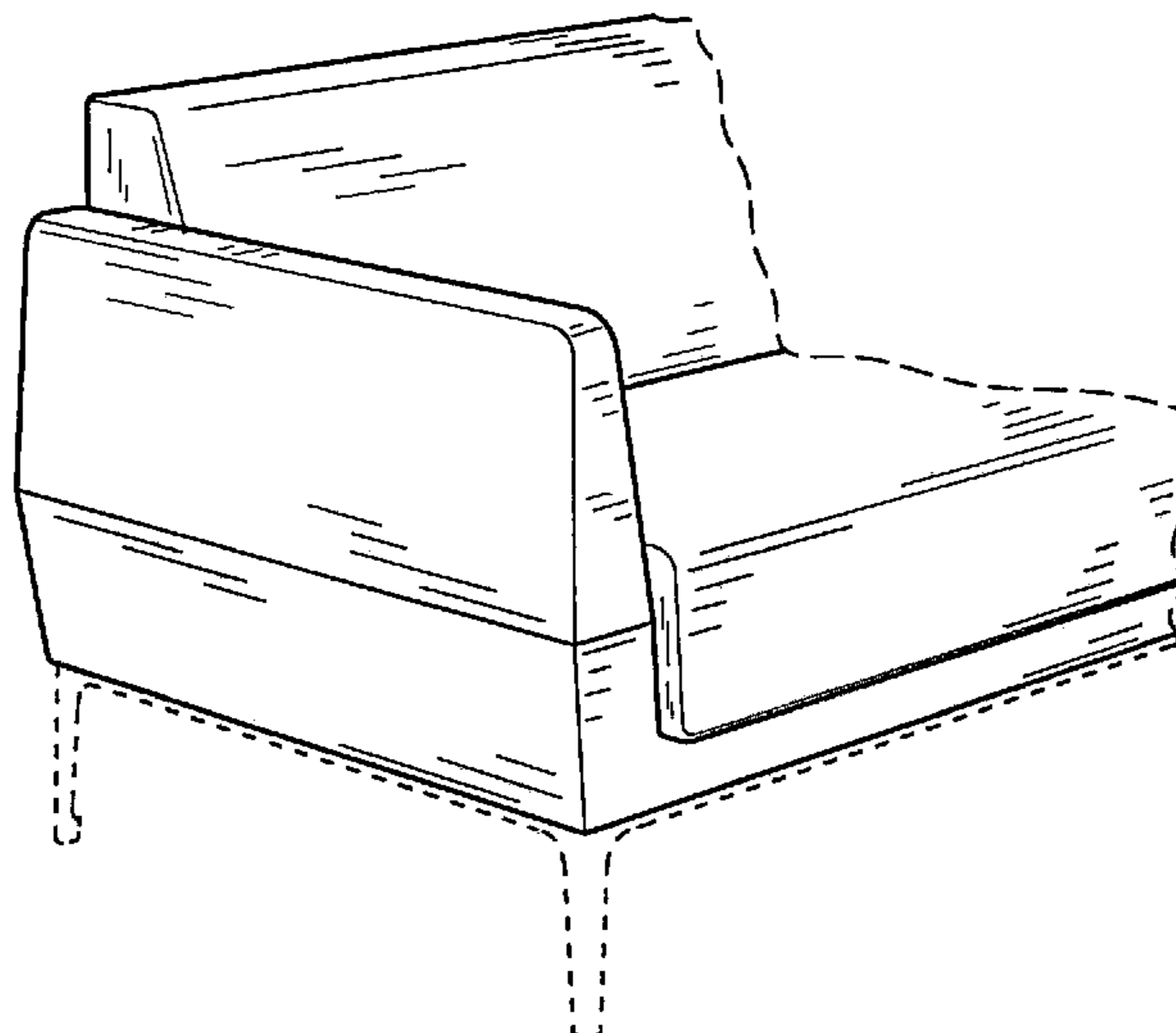
The broken line representations in the figures are for the
purpose of illustrating unclaimed boundaries and/or
unclaimed environment. The broken lines are thus not part of
the claim.

(56) **References Cited**

U.S. PATENT DOCUMENTS

D170,190 S 8/1953 Glass
3,857,120 A 12/1974 Acker
D272,968 S 3/1984 Fairaizen
D276,670 S 12/1984 Tornero et al.

1 Claim, 6 Drawing Sheets



(56)

References Cited

U.S. PATENT DOCUMENTS

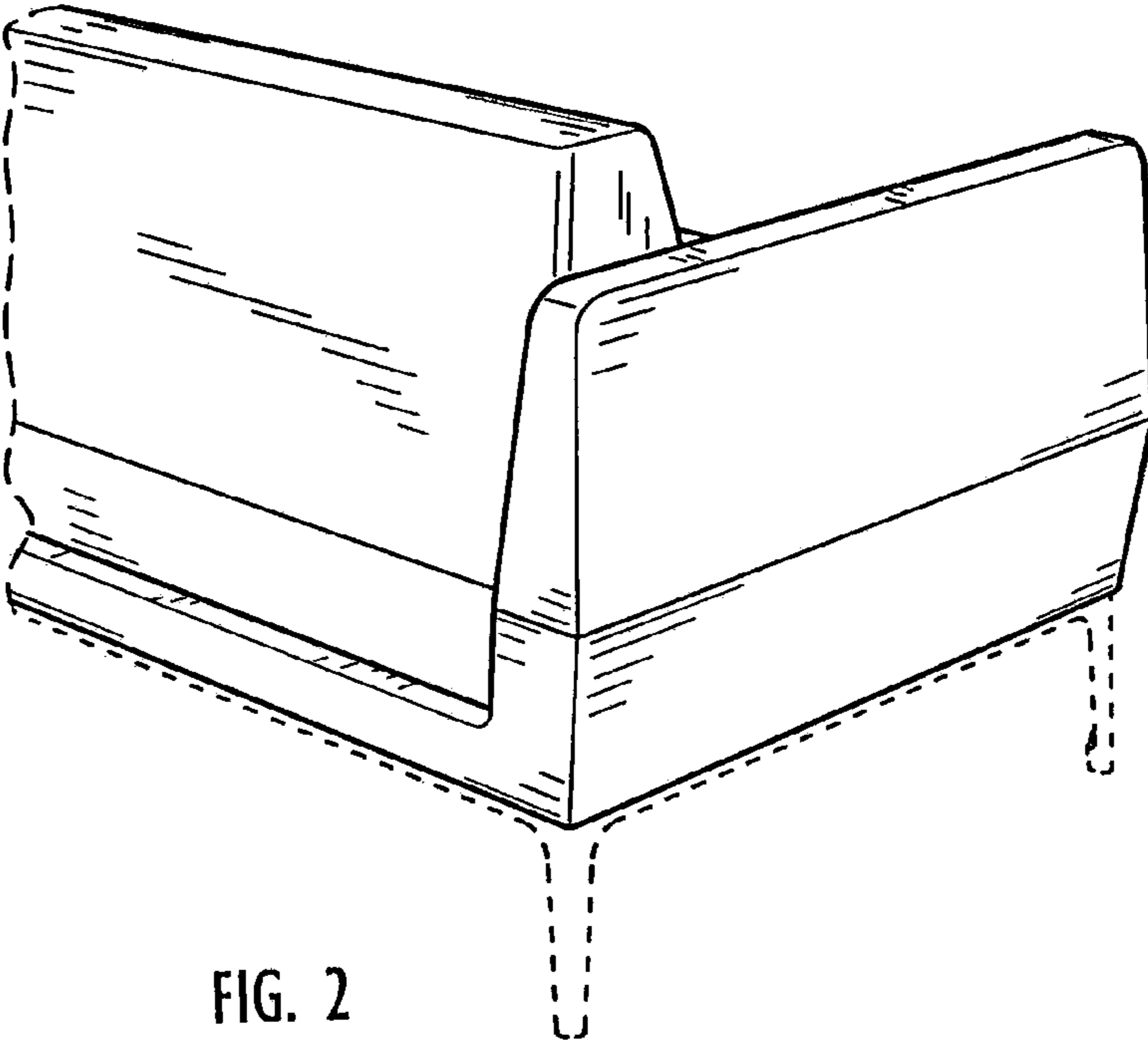
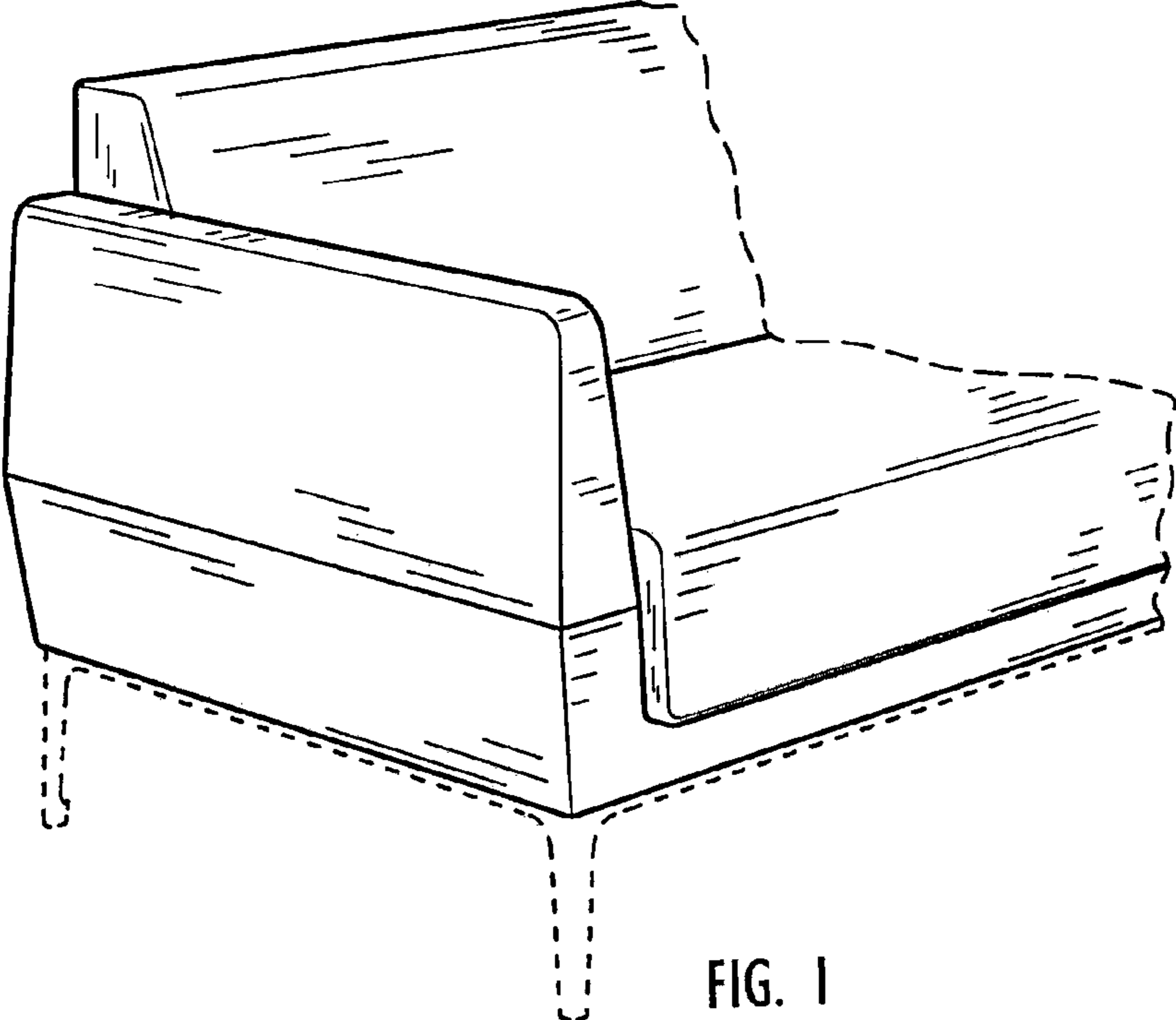
D335,035 S 4/1993 Floyd
 D360,310 S * 7/1995 Stamberg et al. D6/334
 D369,493 S 5/1996 LaRoche
 D373,257 S 9/1996 Hutton
 D379,269 S 5/1997 Hutton
 D427,448 S 7/2000 Natuzzi et al.
 D429,081 S 8/2000 Gomez
 D431,117 S 9/2000 Hutton
 D437,141 S 2/2001 Hutton
 D439,431 S 3/2001 Binder et al.
 D448,946 S 10/2001 Goetz
 D476,822 S 7/2003 Schweikarth
 D482,535 S 11/2003 Williams et al.
 D487,997 S 4/2004 Natuzzi
 D489,195 S 5/2004 Natuzzi
 D491,756 S 6/2004 Nemeth
 D493,039 S 7/2004 Ricci
 D495,153 S * 8/2004 Ricci D6/334
 D495,514 S 9/2004 Ricci
 D495,893 S 9/2004 Ricci
 D498,064 S 11/2004 Gomez
 D505,276 S 5/2005 Cronk et al.
 D509,370 S 9/2005 Natuzzi
 D511,415 S 11/2005 Pesso
 D525,044 S 7/2006 Natuzzi
 D525,045 S 7/2006 Natuzzi
 D527,541 S 9/2006 Natuzzi
 D533,365 S 12/2006 Martin
 D538,549 S 3/2007 Spear
 D540,062 S 4/2007 Natuzzi
 D541,075 S 4/2007 Natuzzi
 D547,084 S 7/2007 Natuzzi
 D547,967 S 8/2007 Oldham
 D548,478 S 8/2007 Oldham
 D549,470 S 8/2007 Hutton
 D550,972 S 9/2007 Caywood
 D564,774 S 3/2008 Woods et al.
 D566,980 S 4/2008 Mourgue
 D569,111 S 5/2008 Swanson
 D570,129 S 6/2008 Natuzzi
 D572,916 S 7/2008 Galardo et al.
 D575,963 S 9/2008 Gomez
 D578,798 S 10/2008 Ricci
 D583,585 S 12/2008 Weiss
 D584,524 S 1/2009 Ricci
 D587,918 S 3/2009 Bergman et al.
 D590,179 S 4/2009 Natuzzi
 D600,040 S 9/2009 Natuzzi
 D600,938 S 9/2009 Natuzzi
 D603,620 S 11/2009 Natuzzi
 D618,471 S 6/2010 Natuzzi

D624,325 S 9/2010 Roberts
 D624,328 S 9/2010 Grandin et al.
 D628,403 S 12/2010 Starck
 D659,412 S * 5/2012 Arko et al. D6/334
 D659,413 S * 5/2012 Arko et al. D6/334
 D662,337 S * 6/2012 Arko et al. D6/492
 D662,883 S * 7/2012 Mizuta D13/126
 D664,778 S * 8/2012 Pheasant et al. D6/334
 D666,847 S * 9/2012 Metcalf et al. D6/492

OTHER PUBLICATIONS

Metropolitan Furniture Corporation. "Contract B". Interiors catalog. Copyright Apr. 1961.
 Metropolitan Furniture Corporation. "Contract C". Interior Design catalog. Copyright Aug. 1962.
 Metropolitan Furniture Corporation. "506JVision". Palto alto Times, Copyright Nov. 19, 1957.
 NLBAA Sofa, First Proof Journal Oregon Journal of CA 2-5511, Sunday, Oct. 11. No. 6226 Journal.
 NLBAA Sofa, Sunset Magazine, Mar. 1961.
 Metropolitan Furniture Company. "Sofa". Retailing Daily, Aug. 19, 1954, p. 10.
 Metropolitan Fumiture Company. "Chairs". Pennisula Living, Sep. 14-15, 1957, p. 25.
 Metropolitan Fumiture Company. "Sofa". Nat'l Furniture Review Aug. 15, 1961.
 Metropolitan Furniture Company. Pierce Sofa, Nat'l Furniture Review, Aug. 15, 1961.
 Metropolitan Furniture Company. Elegance/NLBAA Contract B Series, Contract Magazine, Feb. 1961.
 Metropolitan Furniture Company. "Contract H". Metropolitan Furniture Sales Brochure 1961.
 Metropolitan Furniture Company. "Contract B sofa, table and chair" National Furniture Review, Apr. 20, 1962.
 Metropolitan Furniture Company. "Myriad collection", Printed publication published on or around Jun. 1961.
 Metropolitan Furniture Company. "Contract B Table". Metropolitan Brochure.
 Advertisement from Sloane's (San Francisco). San Francisciana.
 Metropolitan Furniture Company. Advertisement/Brochure.
 Metropolitan Fumiture Company. "Elegance at a Price". In-house Metropolitan ad/brochure.
 Metropolitan Furniture Company. "Sofa". Advertisement.
 Sloane's (San Francisco) Sofas and Chairs. Advertisement.
 Metropolitan Furniture Company. "Metropolitan's high-back chair".
 Metropolitan Furniture Company. "Sofa". Fraser's /Berkeley Telegraph and Channing advertisement.
 Metropolitan Furniture Company. "The Weekender Sofa/Bed". Fumiture Forum catalog, section 1, p. 32.

* cited by examiner



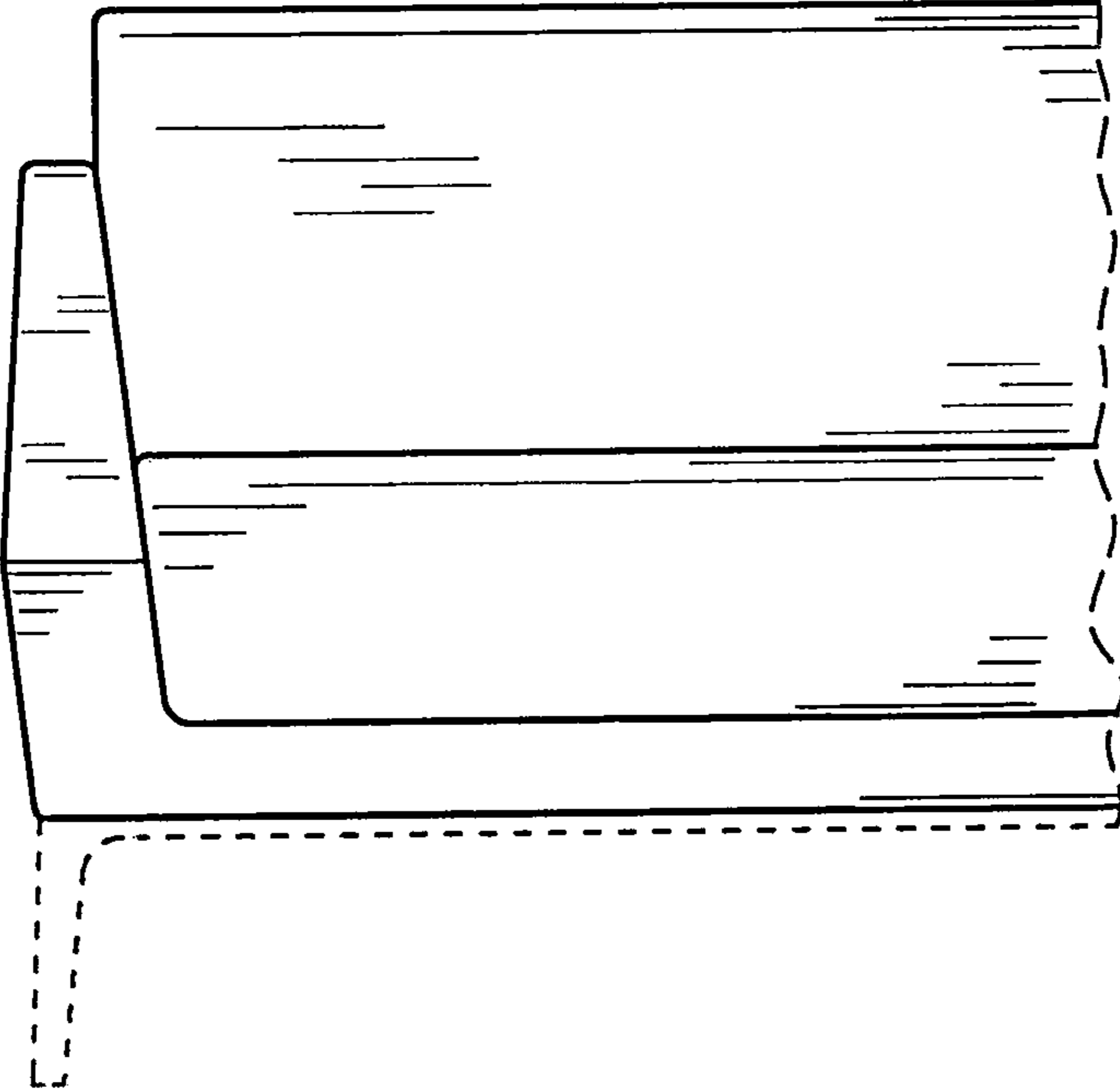


FIG. 3

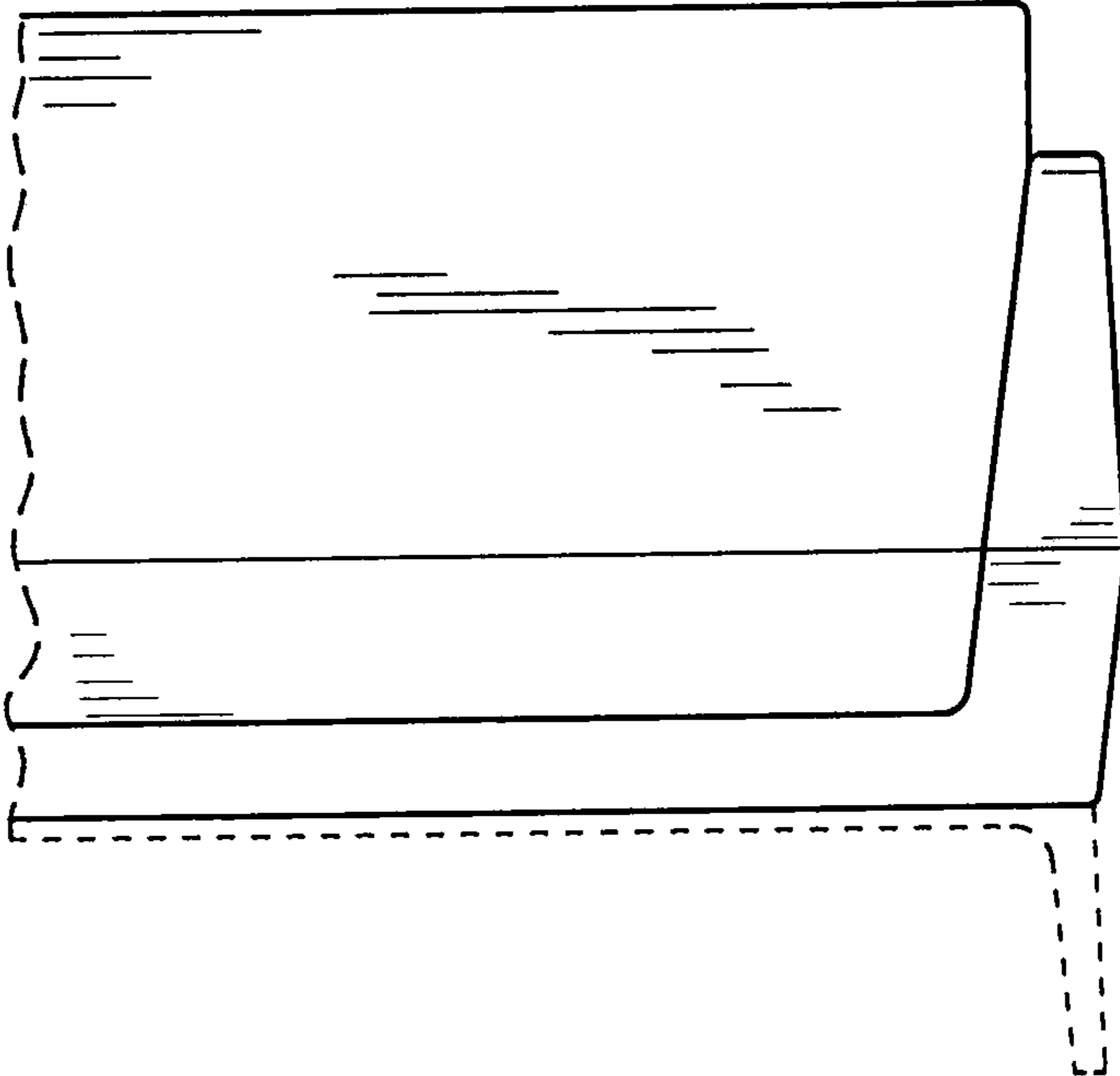


FIG. 4

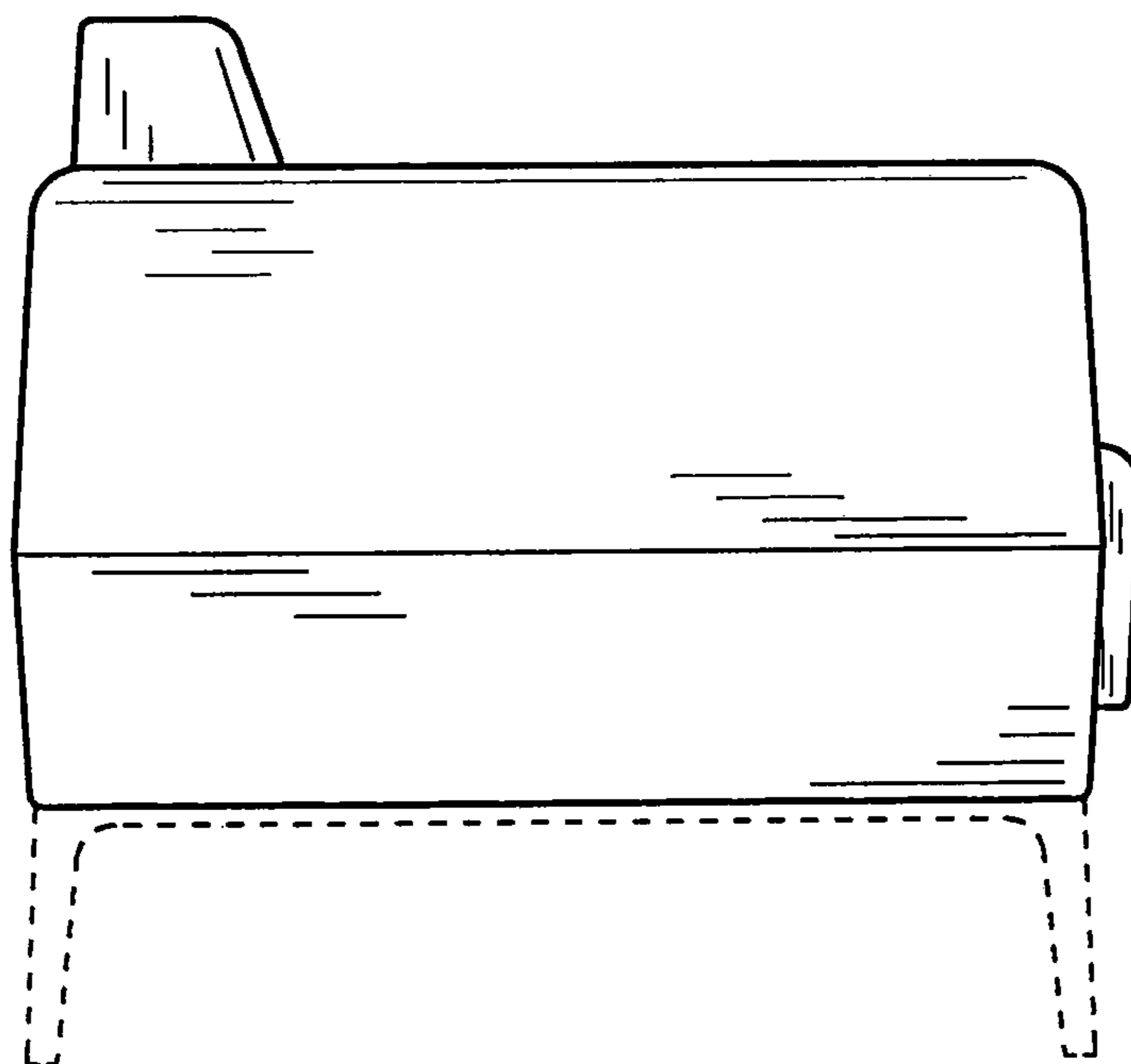


FIG. 5

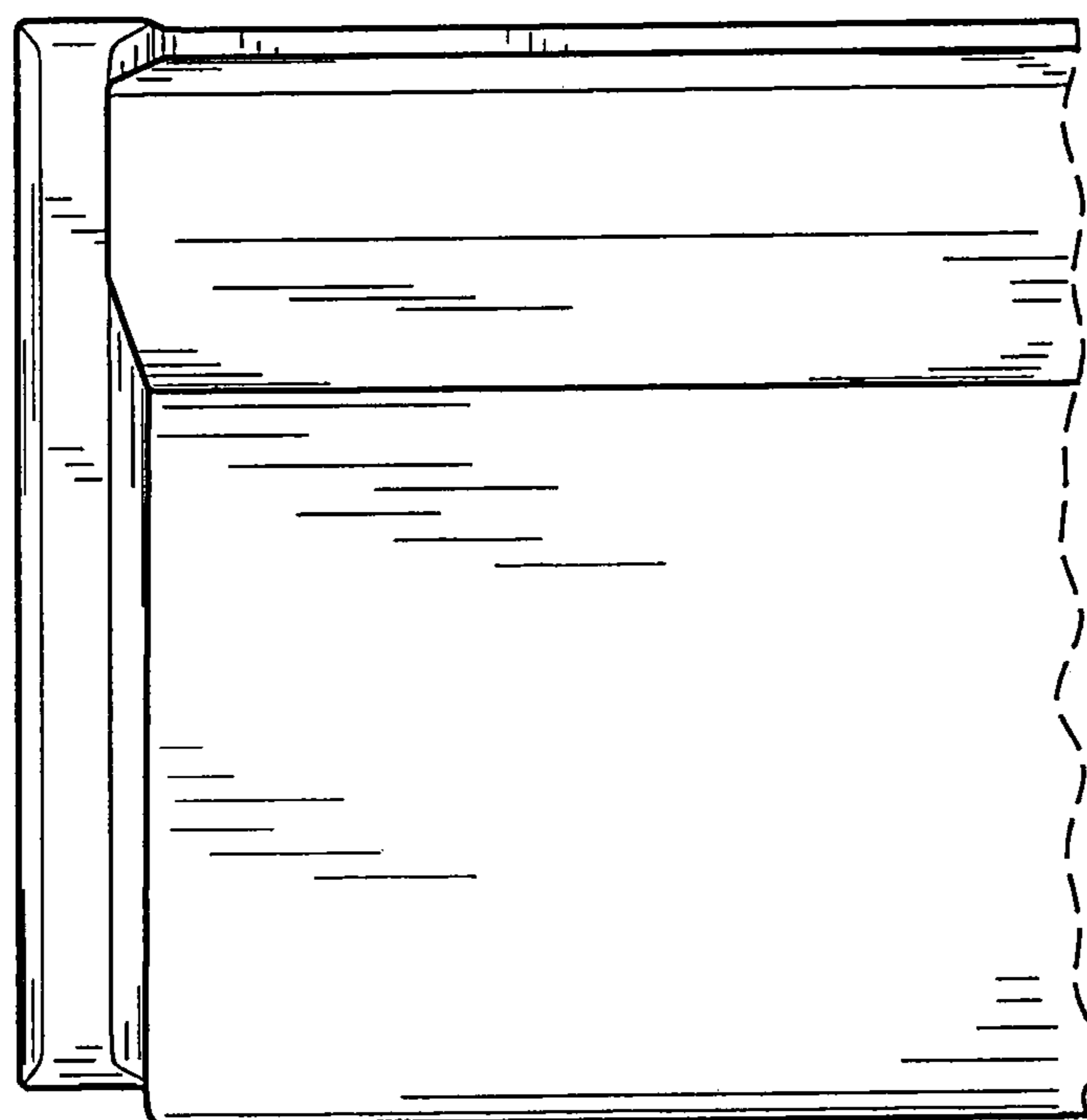


FIG. 6

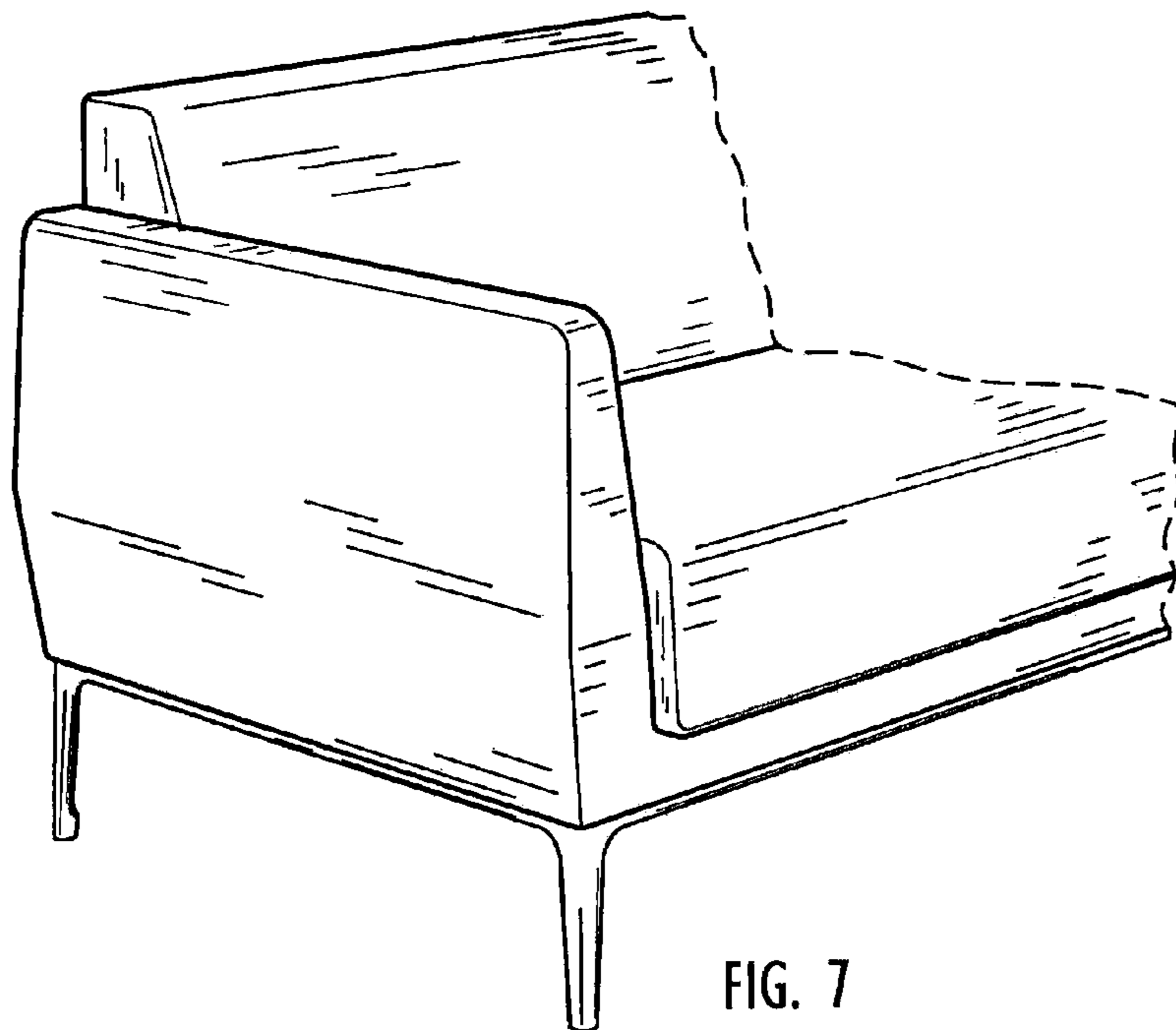


FIG. 7

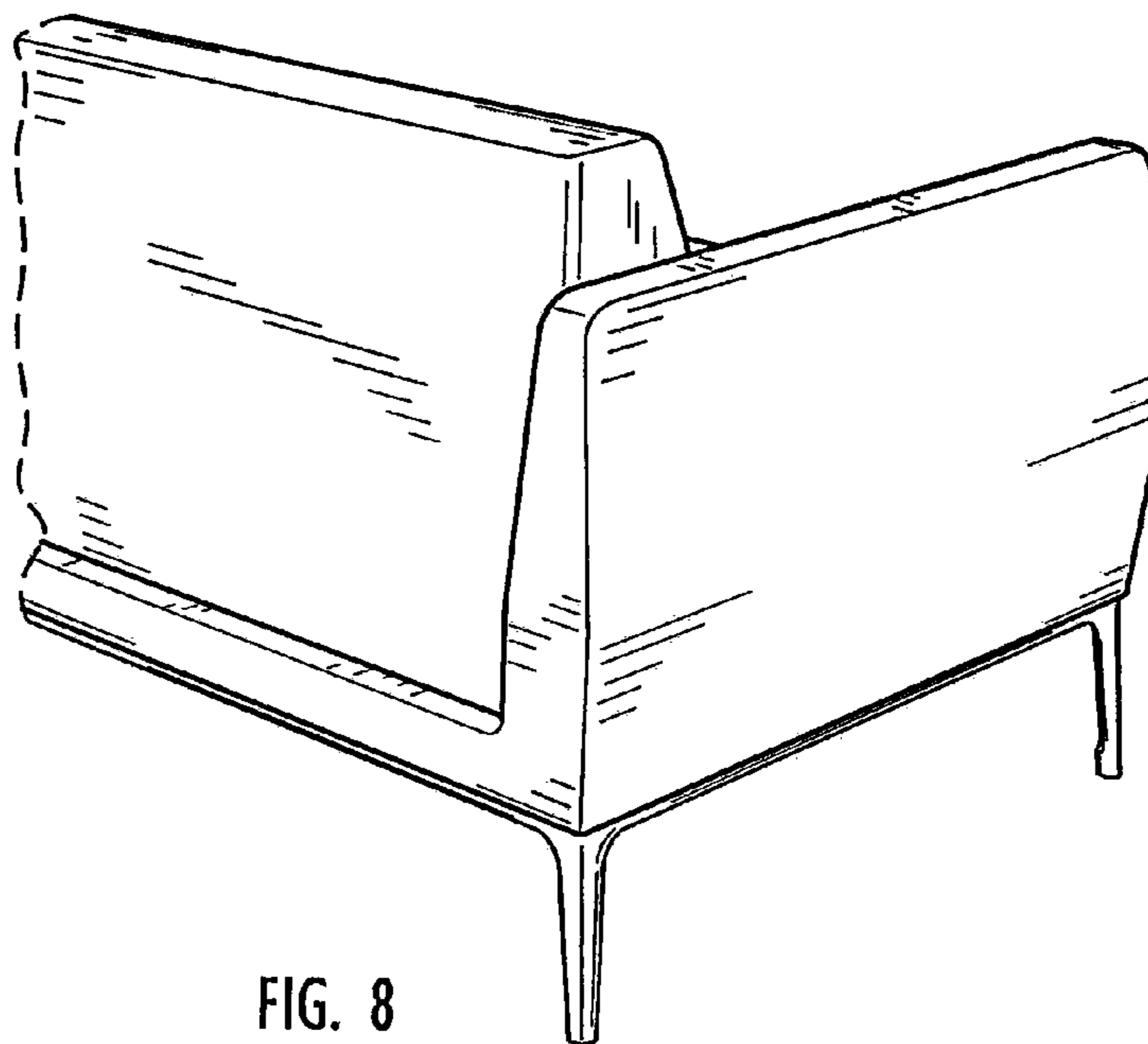


FIG. 8

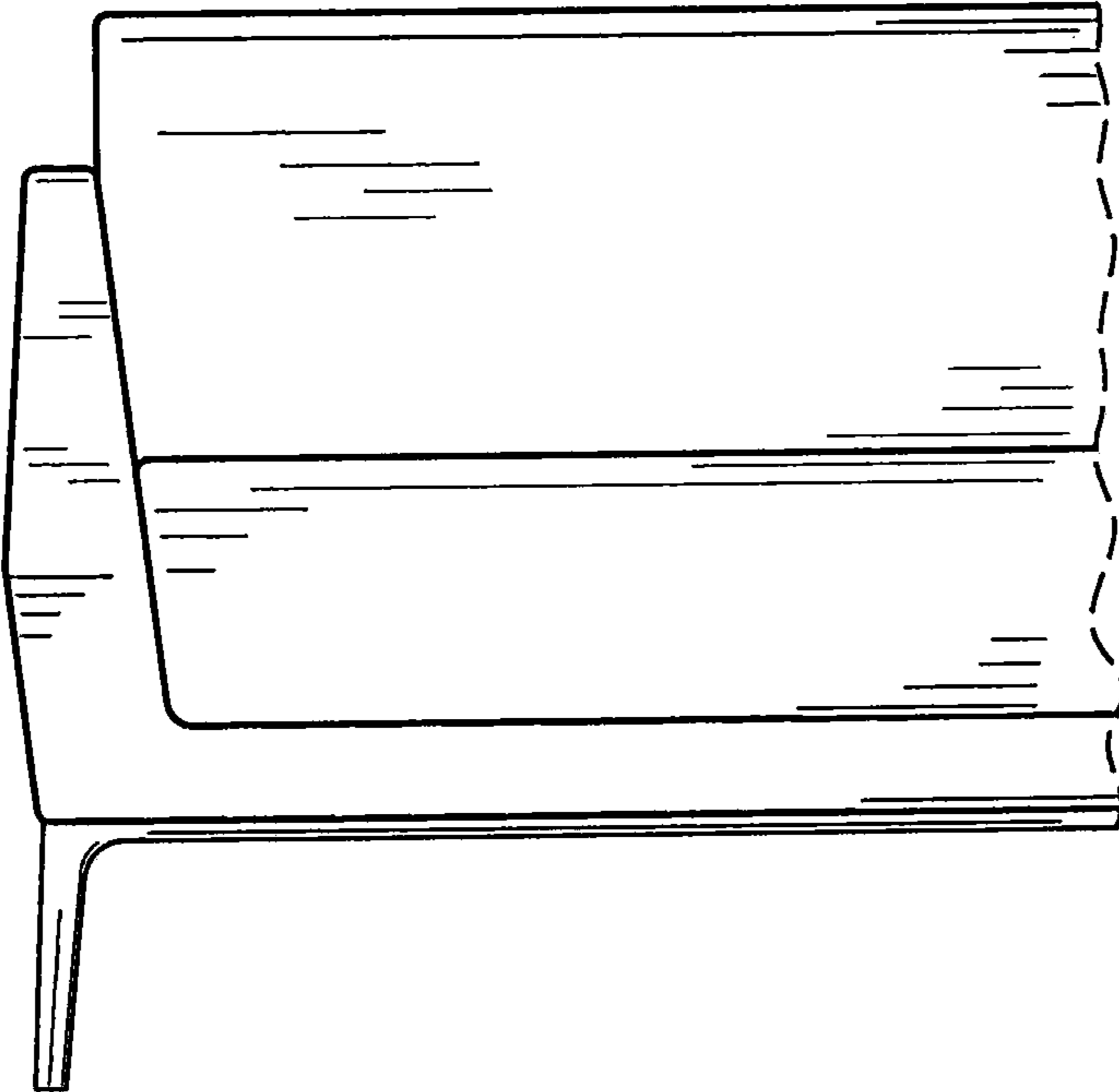


FIG. 9

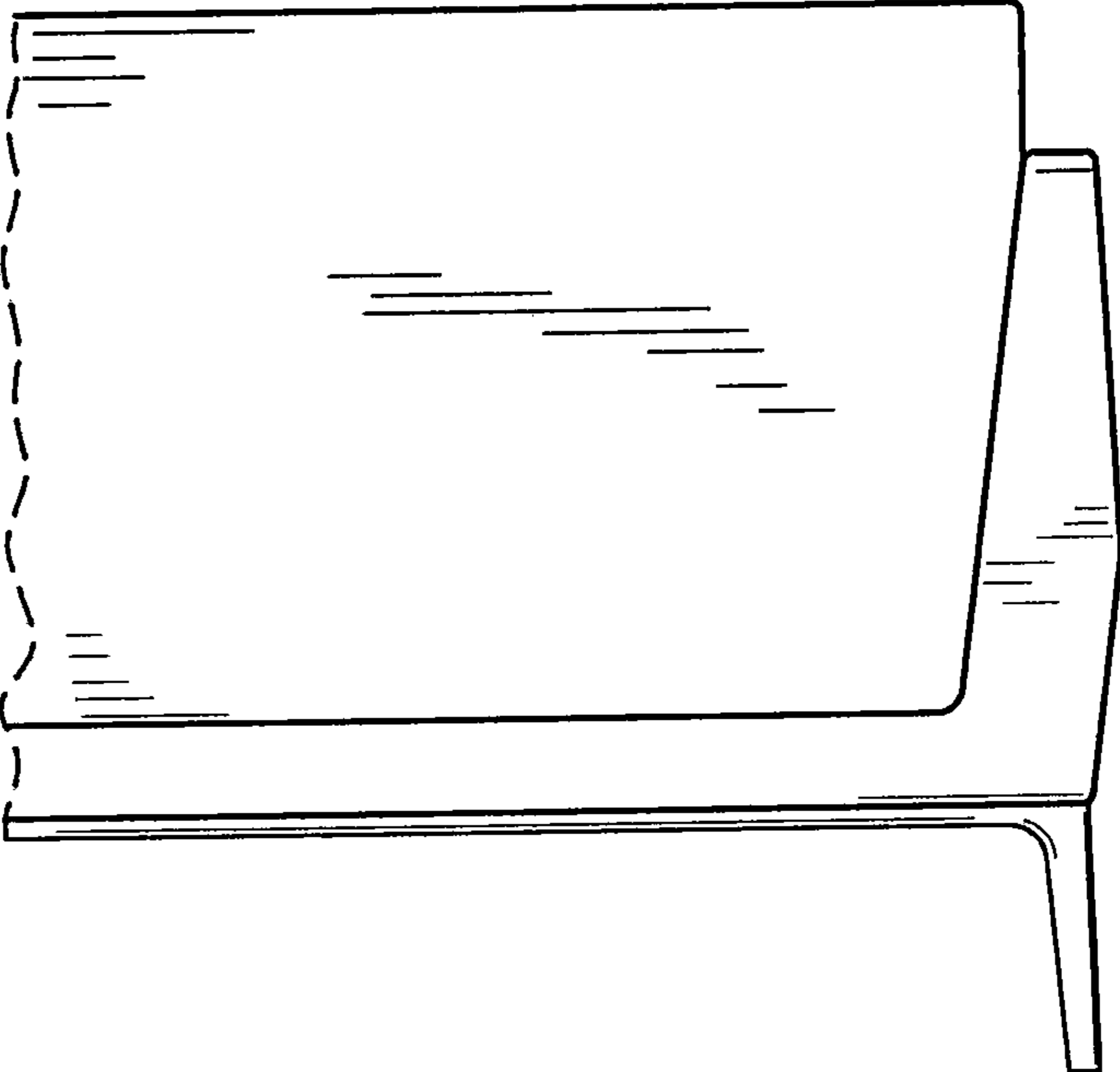


FIG. 10

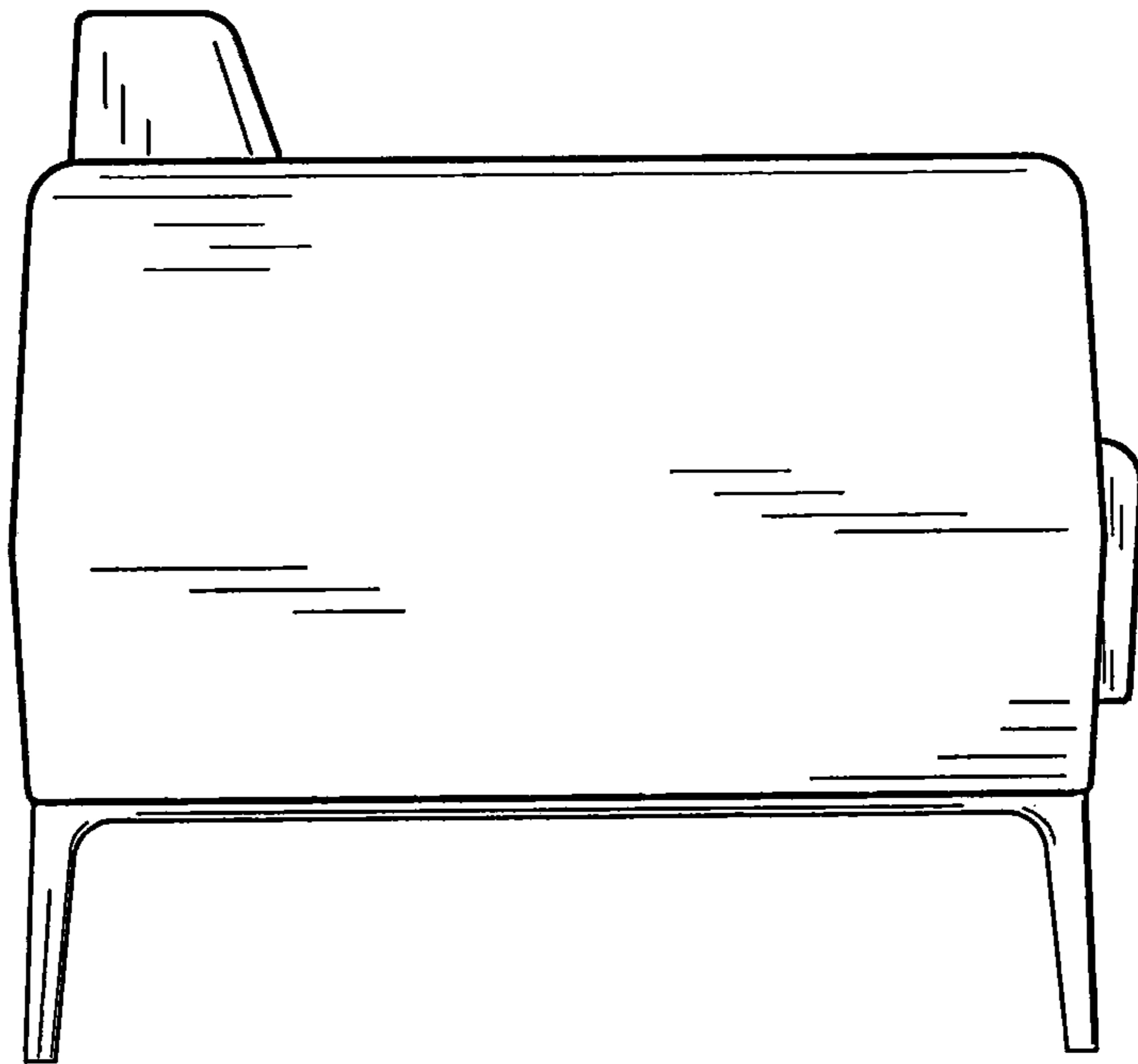


FIG. 11

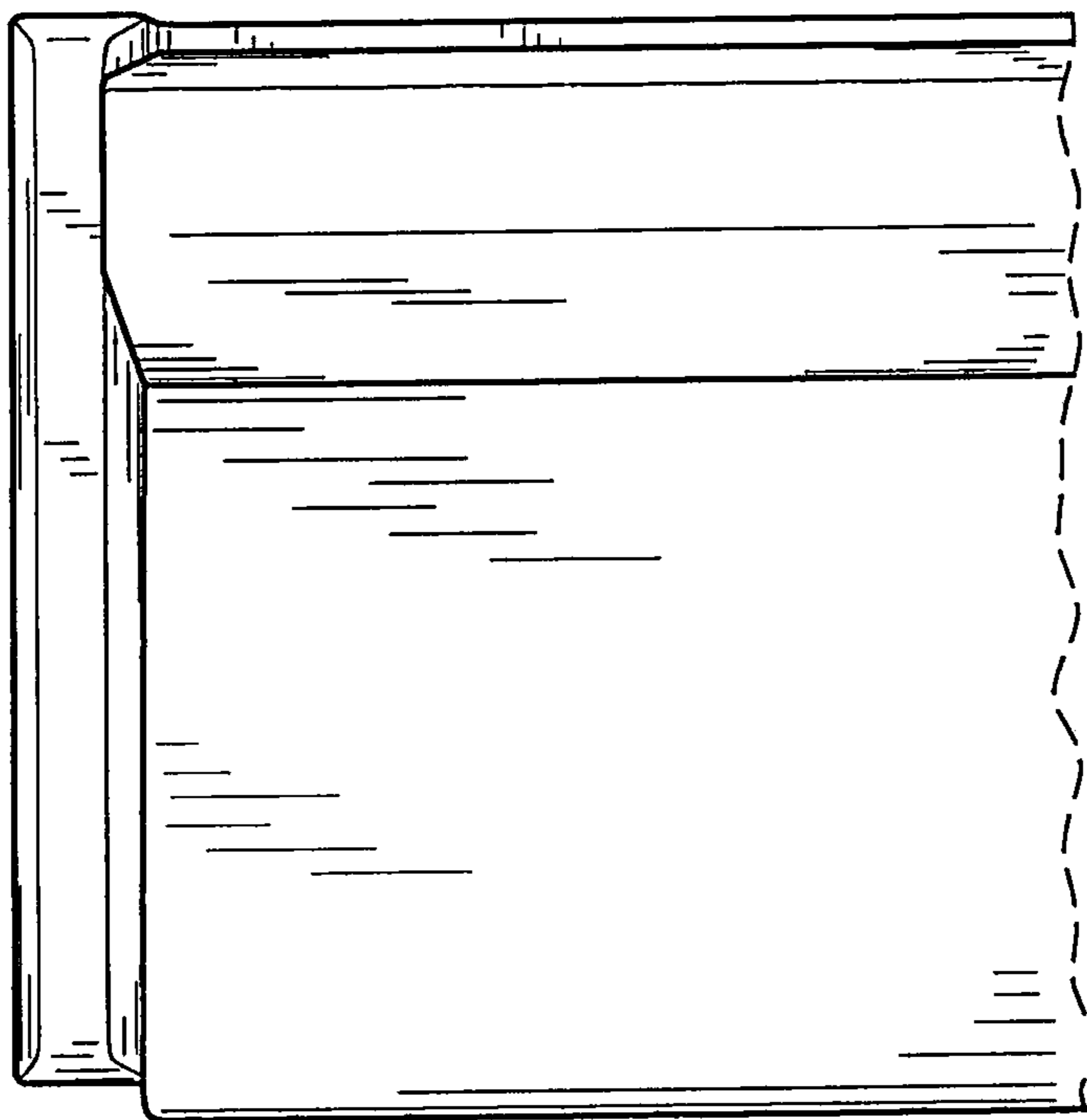


FIG. 12