



US00D689724S

(12) **United States Design Patent**  
**Rada et al.**

(10) **Patent No.:** **US D689,724 S**  
(45) **Date of Patent:** **\*\* Sep. 17, 2013**

(54) **CHAIR**

(71) Applicant: **HNI Technologies Inc.**, Muscatine, IA (US)

(72) Inventors: **Christopher S. Rada**, Muscatine, IA (US); **David E. Mehaffey**, Muscatine, IA (US); **Jeremy S. Rolfs**, Shelby Township, MI (US)

(73) Assignee: **HNI Technologies Inc.**, Muscatine, IA (US)

(\*\*) Term: **14 Years**

(21) Appl. No.: **29/446,857**

(22) Filed: **Feb. 27, 2013**

**Related U.S. Application Data**

(63) Continuation of application No. 29/405,941, filed on Nov. 8, 2011.

(51) **LOC (9) Cl.** ..... **06-01**

(52) **U.S. Cl.**  
USPC ..... **D6/716**

(58) **Field of Classification Search**  
USPC ..... D6/334–336, 360, 366, 367, 371–373, D6/374, 375, 376, 379, 380, 716, 716.1, 716.2, D6/716.3, 716.4; 297/183.7, 239, 445.1, 297/446.1, 452.2, 452.12, 452.14, 452.19, 297/452.21

See application file for complete search history.

(56) **References Cited**

**U.S. PATENT DOCUMENTS**

D51,884 S \* 3/1918 Herhold ..... D6/380  
D52,083 S \* 6/1918 Silverman ..... D6/380  
D52,792 S \* 12/1918 Herhold ..... D6/380  
D54,375 S \* 2/1920 Burjaneck ..... D6/380  
D183,417 S \* 8/1958 Cohen ..... D6/380  
D192,029 S 1/1962 Avedon et al.

D202,550 S 10/1965 Kramer  
D255,184 S 6/1980 Locher  
D360,083 S 7/1995 Lohmeyer  
D420,827 S \* 2/2000 Chu ..... D6/379  
D435,175 S \* 12/2000 Chu ..... D6/372  
D503,559 S 4/2005 Glass et al.  
D513,911 S 1/2006 Glass et al.  
D520,768 S \* 5/2006 Glass et al. .... D6/374  
D544,230 S 6/2007 Glass et al.  
D566,979 S 4/2008 Cox et al.  
D572,049 S 7/2008 Kerr  
D611,740 S 3/2010 Koh  
D648,561 S 11/2011 Johansson  
D648,564 S 11/2011 Johansson

**FOREIGN PATENT DOCUMENTS**

WO W02008066724 A2 6/2008

\* cited by examiner

*Primary Examiner* — Mimoso De

(74) *Attorney, Agent, or Firm* — Faegre Baker Daniels LLP

(57) **CLAIM**

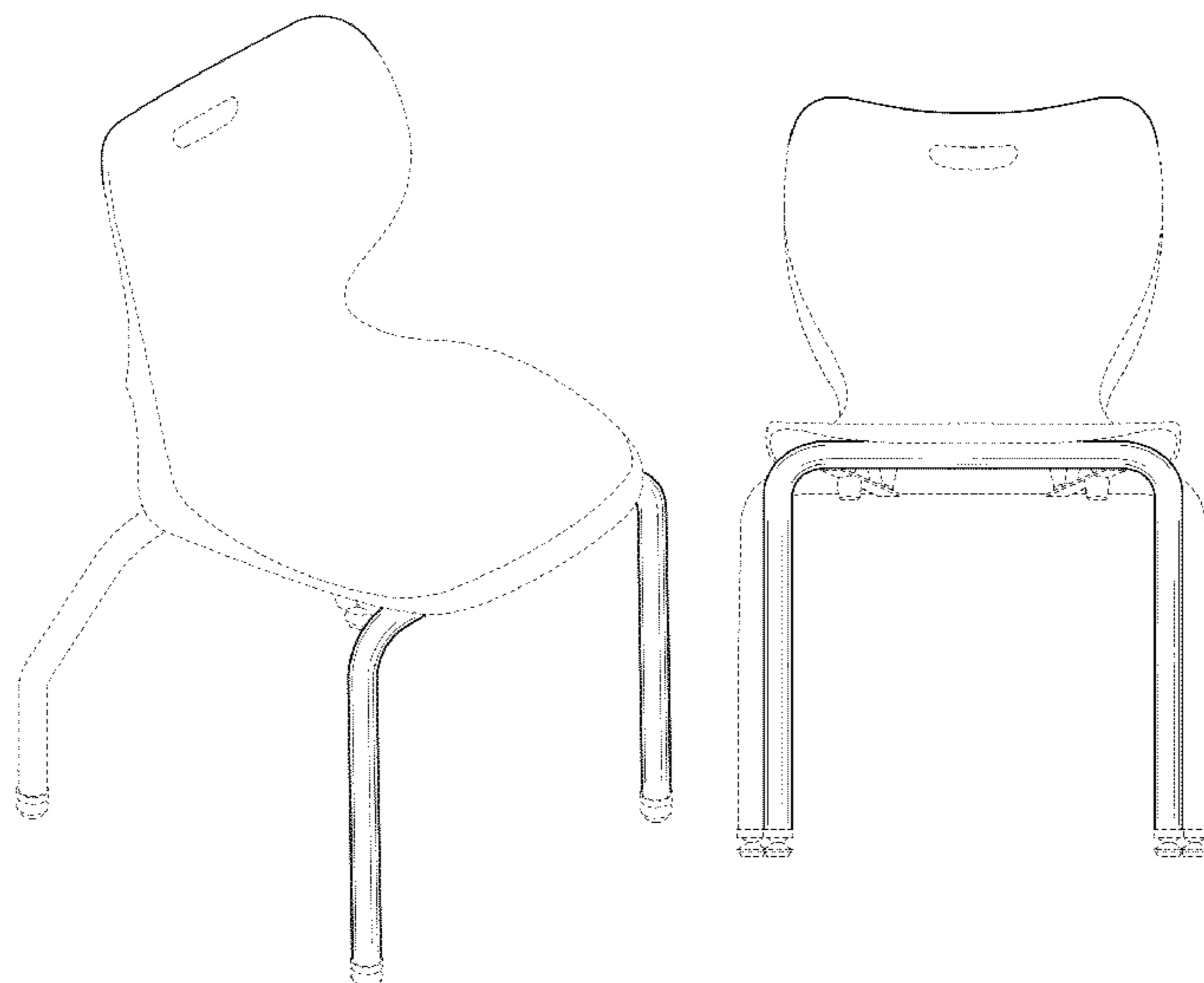
The ornamental design for a chair, as shown and described.

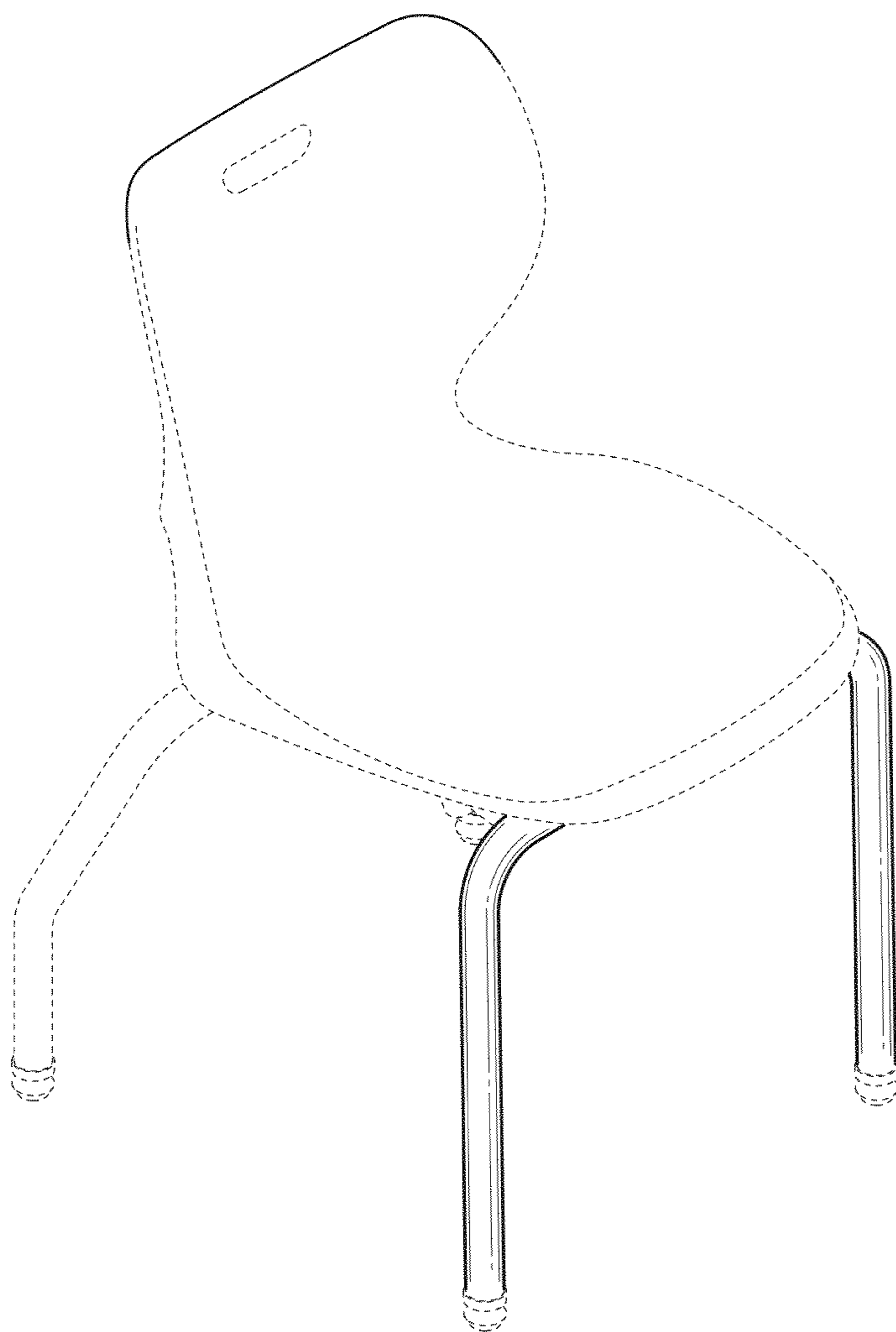
**DESCRIPTION**

FIG. 1 is an isometric view of a chair from a first, top perspective;  
FIG. 2 is a front view of FIG. 1;  
FIG. 3 is a back view of FIG. 1;  
FIG. 4 is a top view of FIG. 1;  
FIG. 5 is a bottom view of FIG. 1;  
FIG. 6 is a side view of FIG. 1, an opposite side of the embodiment of FIG. 1 being a substantially identical mirror image; and,  
FIG. 7 is an isometric view of FIG. 1 from a second, bottom perspective.

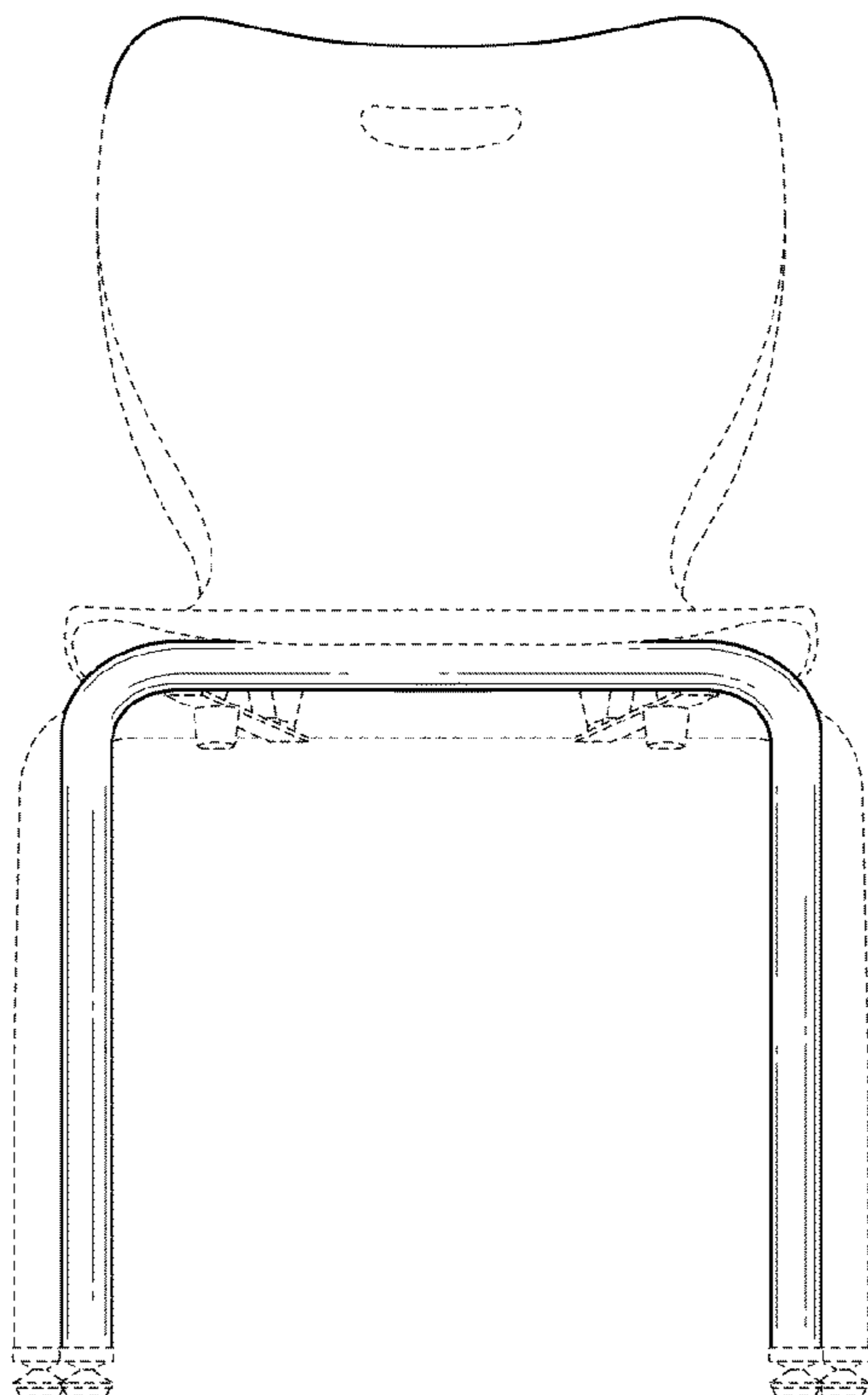
The broken lines showing certain portions of the chair and certain portions of the bottom support assembly of the embodiment of FIG. 1 are for illustrative purposes only and form no part of the claimed design.

**1 Claim, 5 Drawing Sheets**

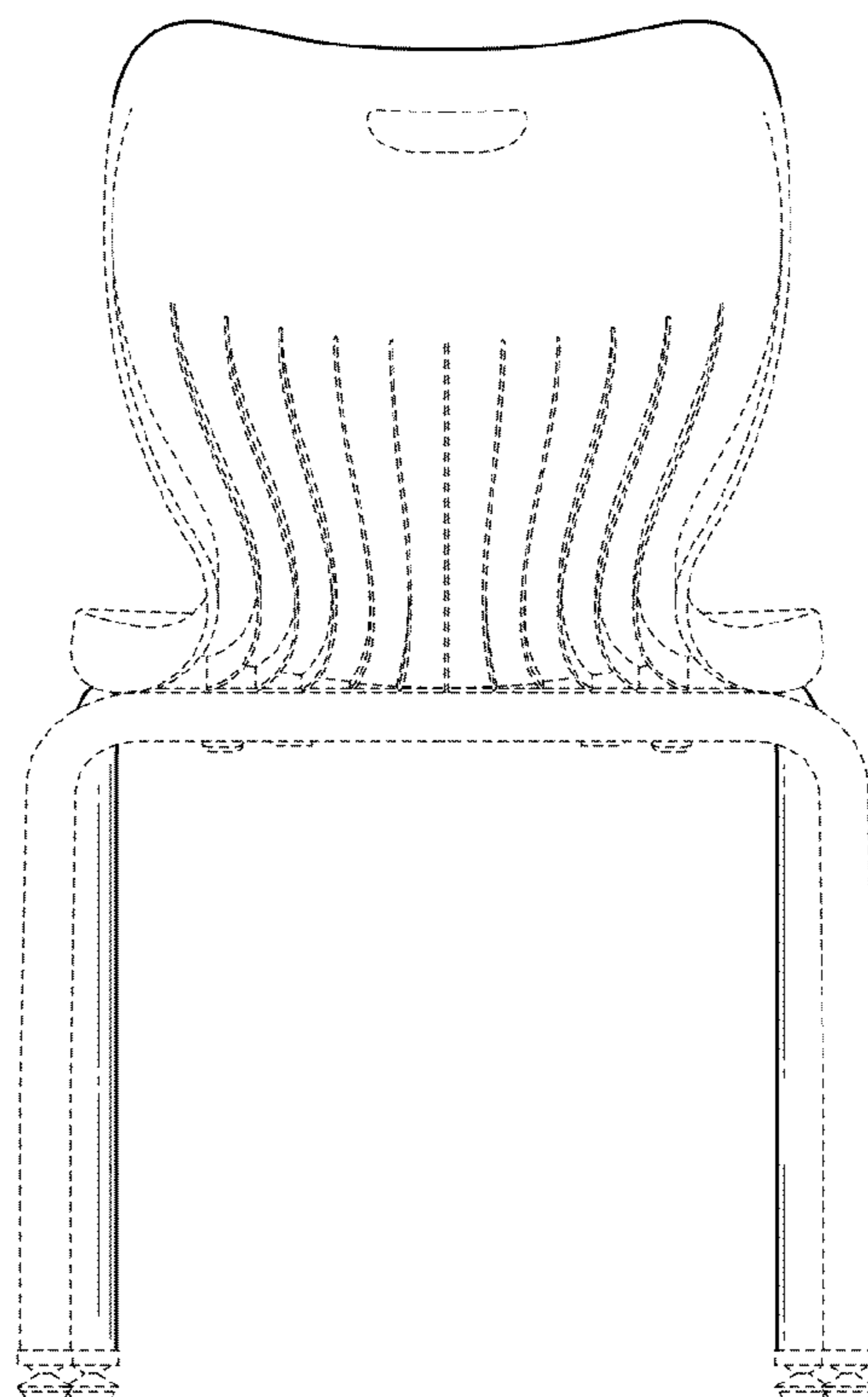




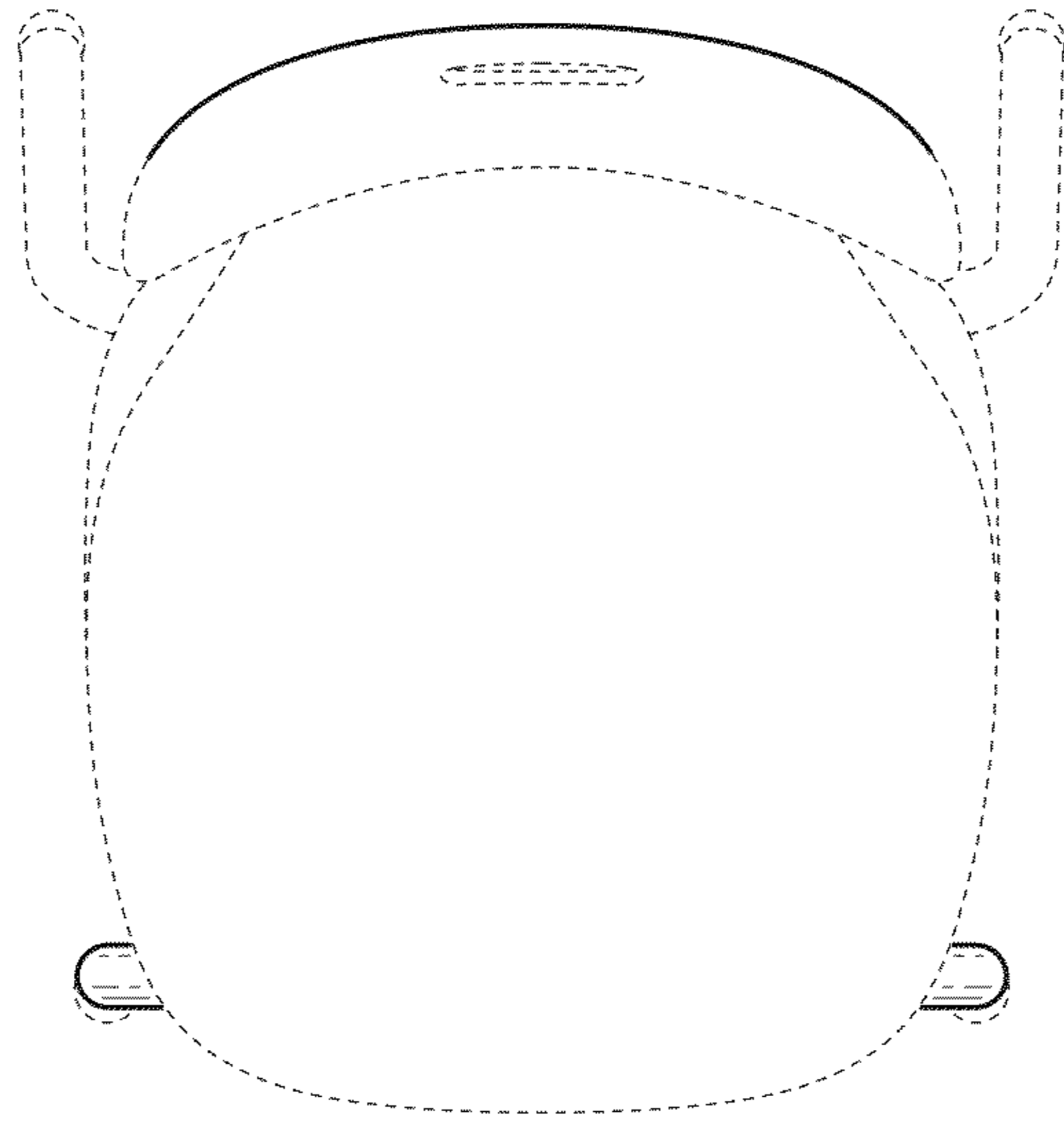
**Fig. 1**



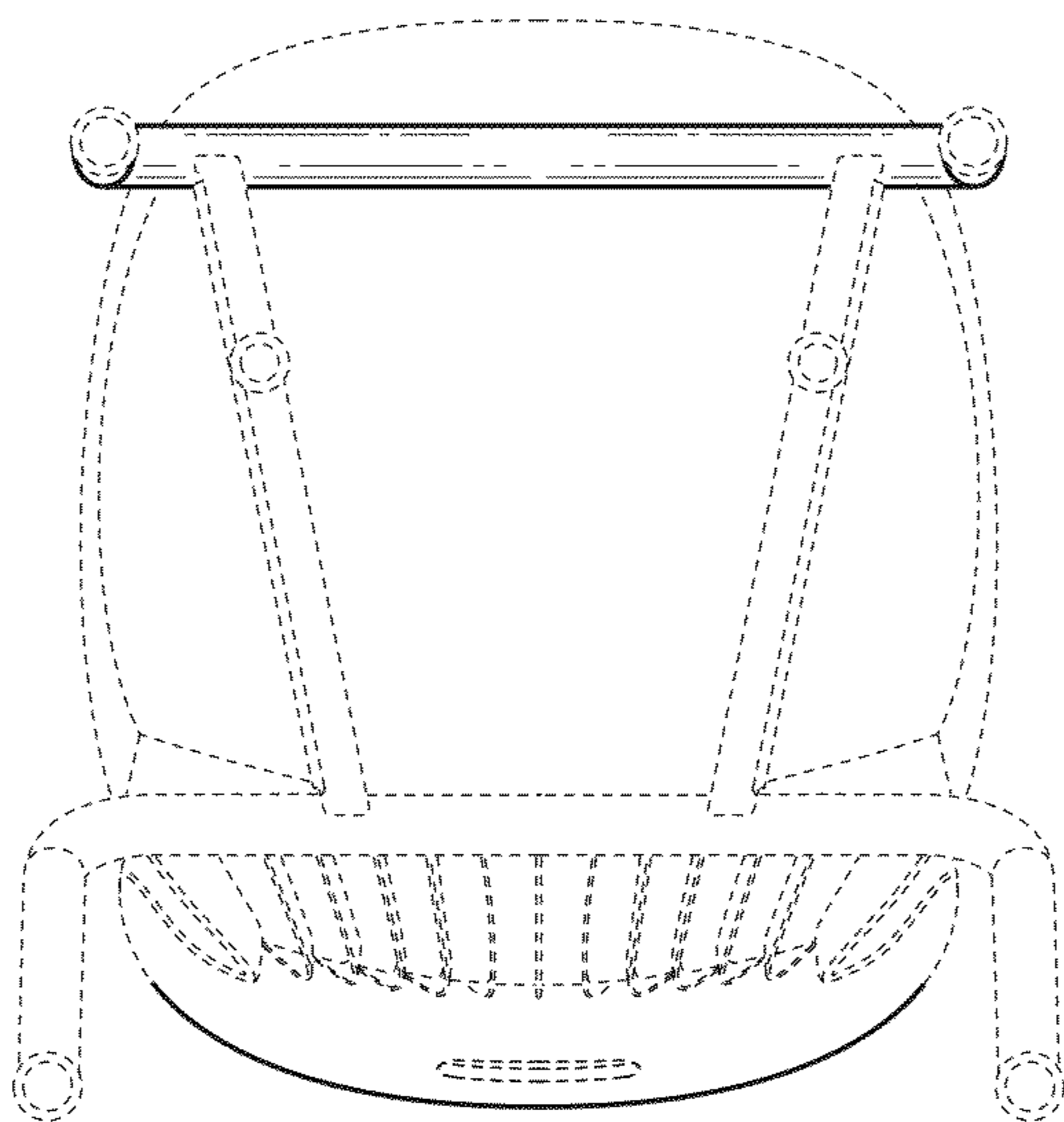
**Fig. 2**



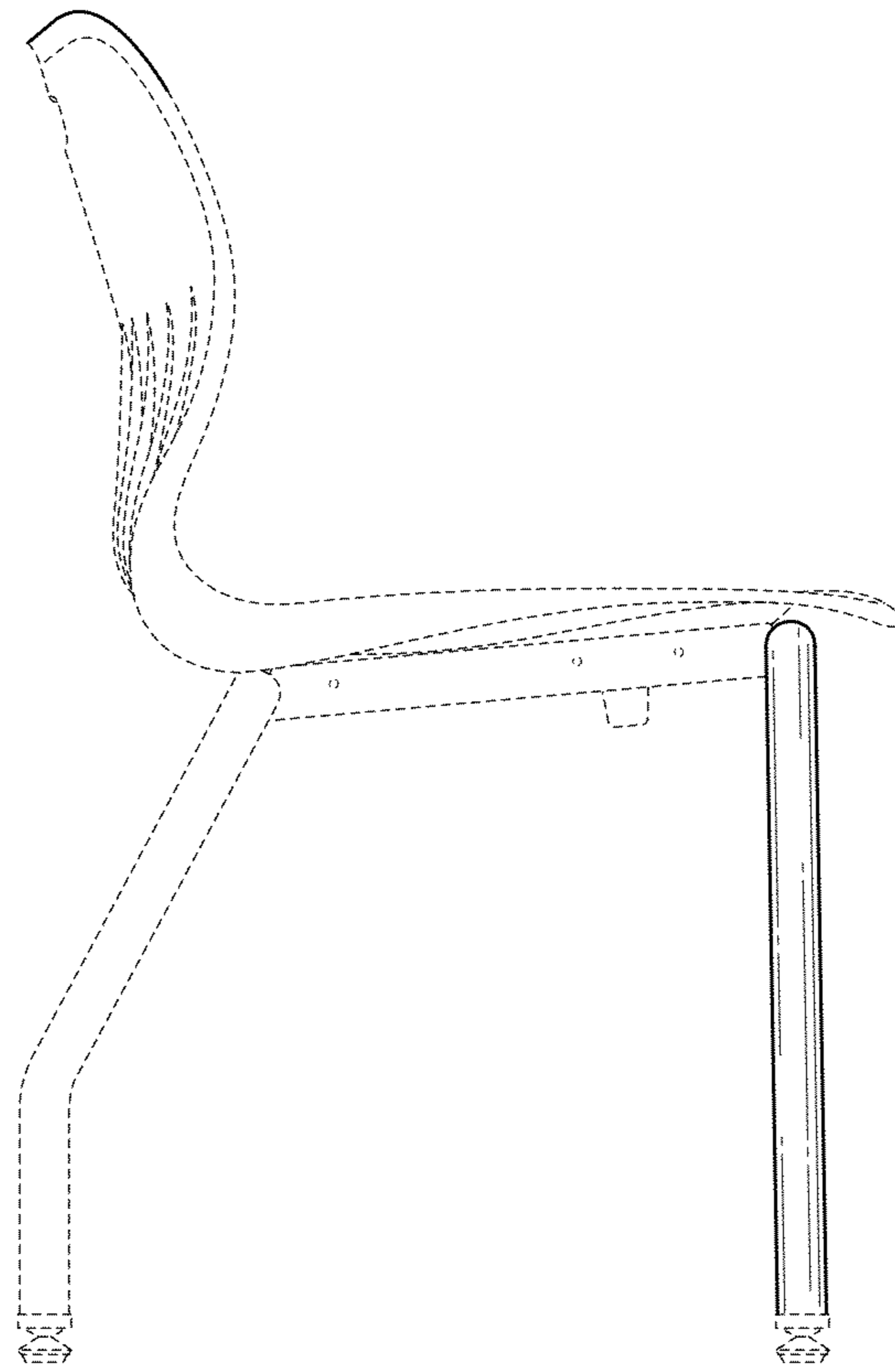
**Fig. 3**



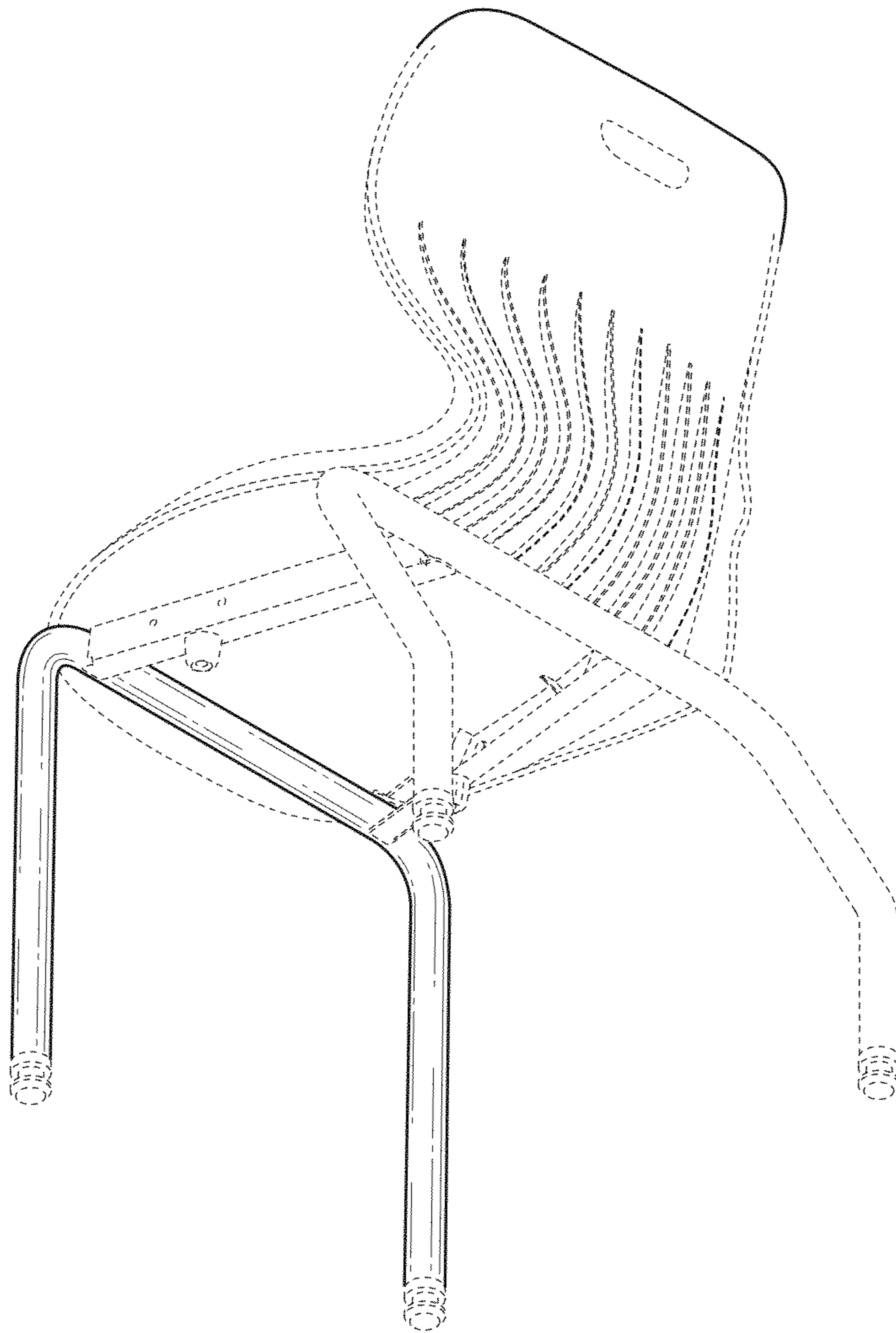
**Fig. 4**



**Fig. 5**



**Fig. 6**



**Fig. 7**