



US00D689723S

(12) **United States Design Patent**
Corcorran et al.

(10) **Patent No.:** **US D689,723 S**

(45) **Date of Patent:** **** Sep. 17, 2013**

(54) **BASE FOR SEATING UNIT**

(71) Applicant: **Steelcase, Inc.**, Grand Rapids, MI (US)

(72) Inventors: **Sean M. Corcorran**, East Grand Rapids, MI (US); **Thomas Overthun**, San Francisco, CA (US); **Elger Oberwelz**, San Francisco, CA (US); **David J. Battey**, Caledonia, MI (US); **Nickolaus William Charles Deevers**, Grand Rapids, MI (US); **Keith Robert Machin**, Wyoming, MI (US); **James N. Ludwig**, Grand Rapids, MI (US)

(73) Assignee: **Steelcase, Inc.**, Grand Rapids, MI (US)

(**) Term: **14 Years**

(21) Appl. No.: **29/448,090**

(22) Filed: **Mar. 8, 2013**

Related U.S. Application Data

(63) Continuation of application No. 29/439,216, filed on Dec. 7, 2012, now Pat. No. Des. 679,923, which is a continuation of application No. 29/436,741, filed on Nov. 8, 2012, now Pat. No. Des. 679,517, which is a continuation of application No. 12/987,273, filed on Jan. 10, 2011.

(51) **LOC (9) Cl.** **06-01**

(52) **U.S. Cl.**
USPC **D6/708.23**

(58) **Field of Classification Search**
USPC D6/334-336, 344-353, 360-381, D6/388, 403, 491-502, 692, 708, 708.16, D6/708.23; 29/446; 297/22, 31, 35, 217.1, 297/239, 256.16, 265.1, 268.1, 284.4-284.5, 297/291, 297, 302.4, 411.2, 411.27-411.29, 297/411.43, 423.1, 423.12, 440.15, 451.1, 297/452.13, 452.19, 452.21, 452.27, 452.29, 297/452.3, 452.41, 452.56, 452.64; 601/26

See application file for complete search history.

(56) **References Cited**

U.S. PATENT DOCUMENTS

1,737 A	8/1840 King
834,988 A	12/1905 Mallory
1,330,373 A	2/1920 Hall
2,343,077 A	2/1944 Parrish
2,643,703 A	6/1953 Willis et al.
D177,231 S	3/1956 Hail et al.
2,748,841 A	6/1956 Rimkus
2,765,025 A	10/1956 Mary et al.

(Continued)

OTHER PUBLICATIONS

Design U.S. Appl. No. 29/439,216, filed Dec. 7, 2012.

(Continued)

Primary Examiner — Ricky Pham

(74) *Attorney, Agent, or Firm* — Quarles & Brady LLP

(57) **CLAIM**

The ornamental design for a base for seating unit, as shown and described.

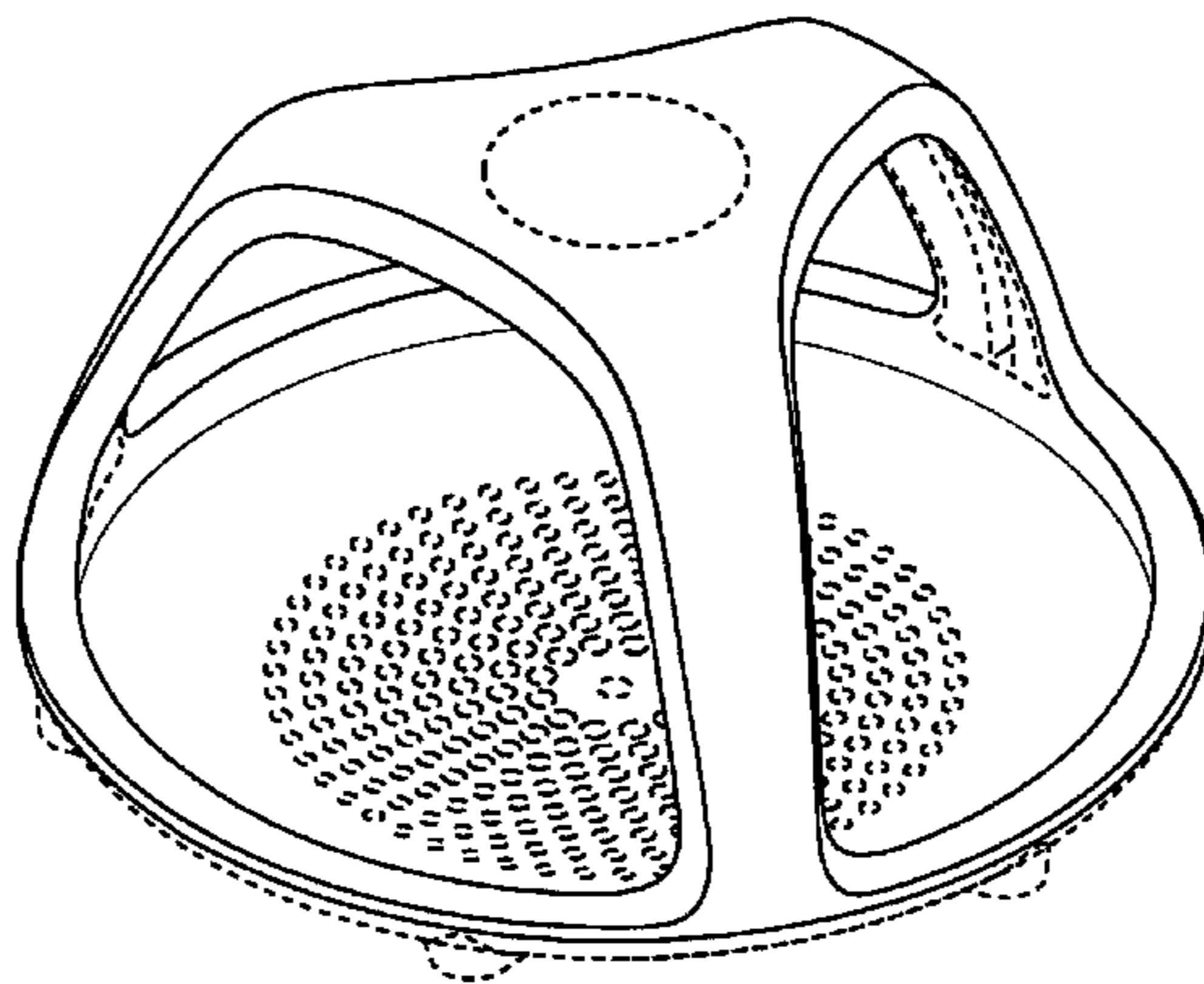
DESCRIPTION

FIG. 1 is a top, front, right perspective view of a base for seating unit embodying our new design; FIG. 2 is a front elevational view thereof; FIG. 3 is a rear elevational view thereof; FIG. 4 is a right side elevational view thereof; FIG. 5 is a left side elevational view thereof; FIG. 6 is a top plan view thereof; and, FIG. 7 is a bottom plan view thereof.

The broken line representations in the figures show unclaimed environment, and thus form no part of the claimed design.

The nature of this product is a base for a seat for supporting a human in a seated position.

1 Claim, 4 Drawing Sheets



(56)

References Cited

U.S. PATENT DOCUMENTS

D181,703 S	12/1957	Bargen et al.	D366,772 S	2/1996	Pasin
2,818,107 A	12/1957	Thaden	5,489,145 A	2/1996	Van Hekken
D181,945 S	1/1958	Saarinen	5,499,413 A	3/1996	Van Hekken
D181,975 S	1/1958	Hail et al.	D370,360 S	6/1996	Fewchuk
D182,790 S	5/1958	Cohen	5,601,331 A	2/1997	Austin et al.
D183,416 S	8/1958	Bellmann	5,653,499 A	8/1997	Goodall
2,845,699 A	8/1958	Woodard	D383,927 S	9/1997	Vassallo
2,973,807 A	3/1961	Close	D398,452 S	9/1998	Reddig
2,989,112 A	6/1961	Sonnleitner	5,816,649 A	10/1998	Shields
D192,029 S	1/1962	Avedon et al.	D406,195 S	3/1999	Gamberini
D193,847 S	10/1962	Mason	D410,128 S	5/1999	Dallas et al.
D194,980 S	4/1963	De La Riva Careaga et al.	5,954,393 A	9/1999	Perrin
D195,725 S	7/1963	Chapman et al.	5,957,534 A	9/1999	Wilkerson et al.
D196,429 S	10/1963	Johnson	D417,342 S	12/1999	Holbrook
D198,628 S	7/1964	Chapman et al.	D417,795 S	12/1999	Rashid
3,160,438 A	12/1964	Davis	6,010,187 A	1/2000	Dallas et al.
3,197,254 A	7/1965	Hendrickson	D422,424 S	4/2000	Gehry et al.
D202,550 S	10/1965	Kramer	D422,806 S	4/2000	Neil
D205,939 S	10/1966	Laverne	6,053,570 A	4/2000	Stern et al.
D207,262 S	3/1967	Maurer et al.	6,059,357 A	5/2000	Peart
D209,282 S	11/1967	Boyd et al.	D426,973 S	6/2000	Risdall
3,361,472 A	1/1968	Hasbrouck	6,073,997 A	6/2000	Koh
3,380,778 A	4/1968	Barecki	6,082,822 A	7/2000	Kelly et al.
D218,816 S *	9/1970	Leaver D6/365	D428,713 S	8/2000	Arko et al.
D219,376 S	12/1970	Pearson	D440,064 S	4/2001	Deacon
3,548,810 A *	12/1970	Hoyer et al. 601/26	D447,651 S *	9/2001	Ooyama et al. D6/498
3,572,831 A	3/1971	Barecki et al.	6,286,901 B1	9/2001	Ritch et al.
3,574,400 A	4/1971	Day	D456,186 S *	4/2002	Liu D6/498
3,584,915 A	6/1971	Meyers	D456,647 S	5/2002	Whiteside et al.
3,586,367 A	6/1971	Cincotta	D457,007 S	5/2002	Pearce et al.
3,712,668 A	1/1973	Fink	D457,019 S	5/2002	Liu
3,712,669 A	1/1973	Cates	6,390,551 B1	5/2002	Hendrickson
D226,648 S	4/1973	Sobel et al.	D460,871 S	7/2002	Opsvik
D230,669 S	3/1974	Hendrickson	6,422,646 B1	7/2002	McNally
D230,670 S	3/1974	Begge	D461,325 S	8/2002	Opsvik
3,844,609 A	10/1974	Bomber	D461,327 S	8/2002	Pearce et al.
3,931,650 A	1/1976	Miller	D471,729 S	3/2003	Glass et al.
D244,978 S	7/1977	Polsky et al.	D473,081 S	4/2003	Kita
D245,378 S	8/1977	Roericht	6,588,845 B2	7/2003	Wilkerson et al.
4,050,491 A	9/1977	Hargrove	D477,921 S	8/2003	Bosman et al.
4,062,590 A	12/1977	Polsky et al.	D479,053 S	9/2003	Chadwick et al.
4,074,918 A	2/1978	Kotzin	D481,889 S	11/2003	Ciabatti
4,136,908 A	1/1979	Crayne	6,669,282 B2	12/2003	Piretti
D264,149 S	5/1982	Buhk	6,669,301 B1	12/2003	Funk et al.
4,411,468 A *	10/1983	Apissomian 297/268.1	6,733,073 B2	5/2004	Whiteside et al.
4,427,232 A	1/1984	Malm	6,758,519 B2	7/2004	Harvey
D274,771 S	7/1984	Ambasz et al.	6,776,452 B2	8/2004	Onishi
D279,246 S	6/1985	Murry	D497,261 S	10/2004	Epp et al.
4,529,247 A	7/1985	Stumpf et al.	D497,487 S	10/2004	Azumi et al.
4,592,126 A *	6/1986	Bottemiller 29/446	D502,016 S	2/2005	Goodworth
D288,388 S	2/1987	Ochsner	6,871,905 B2	3/2005	Grace
D288,506 S	3/1987	Ochsner	D503,560 S	4/2005	Rowland et al.
D289,120 S	4/1987	Chadwick et al.	D504,026 S	4/2005	Glass et al.
D289,235 S *	4/1987	Heyl D6/365	D505,022 S	5/2005	Mills et al.
4,718,723 A *	1/1988	Bottemiller 297/265.1	D507,890 S	8/2005	Mills et al.
4,744,603 A	5/1988	Knoblock	D511,416 S	11/2005	Obbitts et al.
D298,674 S	11/1988	Koller	D512,846 S	12/2005	Goodworth
4,786,106 A *	11/1988	Bottemiller 297/265.1	D513,892 S	1/2006	Glass et al.
D315,123 S	3/1991	Spiegel et al.	D514,829 S	2/2006	Glass et al.
D315,998 S	4/1991	Edwards	D517,336 S	3/2006	Engelstad
5,015,033 A	5/1991	Winters	D518,304 S	4/2006	Crescenti
5,015,038 A	5/1991	Mrotz	D518,968 S	4/2006	Magnani et al.
D319,159 S	8/1991	Silbersky et al.	D525,445 S	7/2006	Liu et al.
D326,577 S	6/1992	Edwards	D525,446 S	7/2006	Farber
5,123,702 A	6/1992	Caruso	D531,423 S	11/2006	Whiteside et al.
5,169,210 A	12/1992	Fricano	D542,039 S	5/2007	Glass et al.
D332,703 S	1/1993	Gulliver	D544,230 S	6/2007	Glass et al.
D334,314 S	3/1993	Milton	D546,085 S	7/2007	Ritch et al.
D334,487 S	4/1993	Perry	D546,087 S	7/2007	Rashid
D351,510 S	10/1994	Lucci et al.	D547,980 S	8/2007	Glass et al.
5,364,137 A	11/1994	Shimer	D549,018 S	8/2007	Glass et al.
D353,058 S	12/1994	Dallas	D550,471 S	9/2007	Igarashi
D358,723 S	5/1995	Kelly et al.	D552,856 S	10/2007	Chan
5,452,950 A	9/1995	Crenshaw et al.	D553,380 S	10/2007	Natuzzi
D365,935 S	1/1996	Dallas	D554,386 S	11/2007	Nobles et al.
			D555,372 S	11/2007	Lin
			D555,380 S	11/2007	Farber
			D557,515 S	12/2007	Breen
			D557,916 S	12/2007	Dietrich

US D689,723 S

Page 3

D560,918 S	2/2008	Fuksas	D636,613 S	4/2011	Overthun et al.	
D562,019 S	2/2008	Lievore	D646,085 S	10/2011	Overthun et al.	
D566,412 S	4/2008	Van Severen	D646,497 S	10/2011	Overthun et al.	
7,354,110 B1	4/2008	Raghubir	D650,185 S *	12/2011	Hsu	D6/349
D569,115 S *	5/2008	McCoy et al.	D679,517 S *	4/2013	Corcorran et al.	D6/375
D572,029 S	7/2008	Bouroullec et al.	D679,923 S *	4/2013	Corcorran et al.	D6/708
D573,363 S	7/2008	Pillet	2005/0012371 A1	1/2005	Mendenhall et al.	
D578,786 S	10/2008	Cantarutti	2005/0099040 A1	5/2005	Mills et al.	
D585,207 S	1/2009	Bauchet	2006/0261646 A1	11/2006	McGuire	
D587,916 S	3/2009	Bouroullec et al.	2007/0284920 A1	12/2007	Mehaffey et al.	
D592,870 S	5/2009	Olano Jauregui				
D592,876 S	5/2009	Smith et al.				
7,530,632 B2	5/2009	Kaloustian et al.				
D596,871 S	7/2009	Farber				
D600,035 S	9/2009	Olano Jauregui et al.				
D600,052 S	9/2009	Smith et al.				
D600,458 S	9/2009	Starck				
D618,922 S	7/2010	Fuchs				
D636,612 S	4/2011	Overthun et al.				

OTHER PUBLICATIONS

Design U.S. Appl. No. 29/439,217, filed Dec. 7, 2012.

Design U.S. Appl. No. 29/439,218, filed Dec. 7, 2012.

Design U.S. Appl. No. 29/439,221, filed Dec. 7, 2012.

* cited by examiner

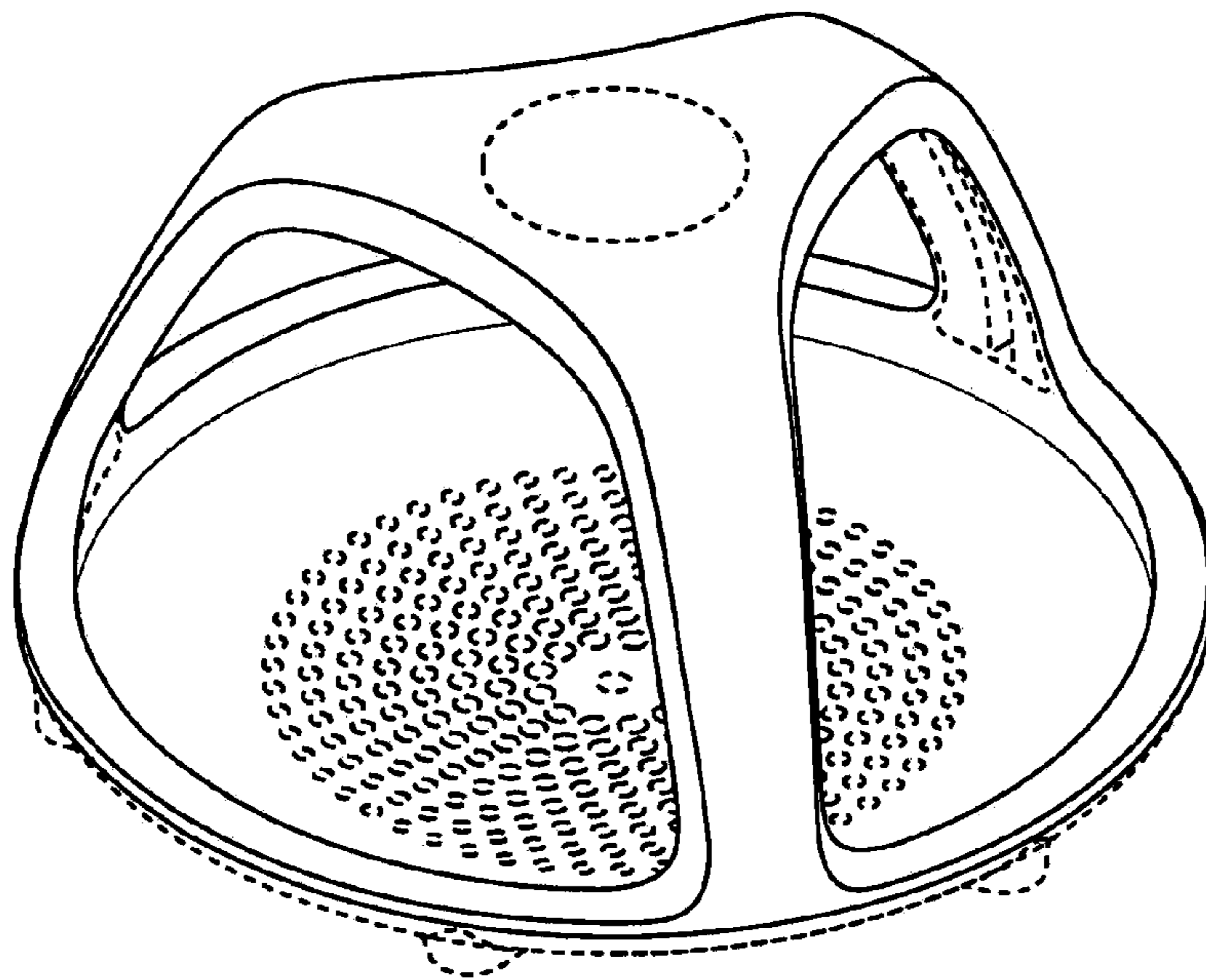


FIG. 1

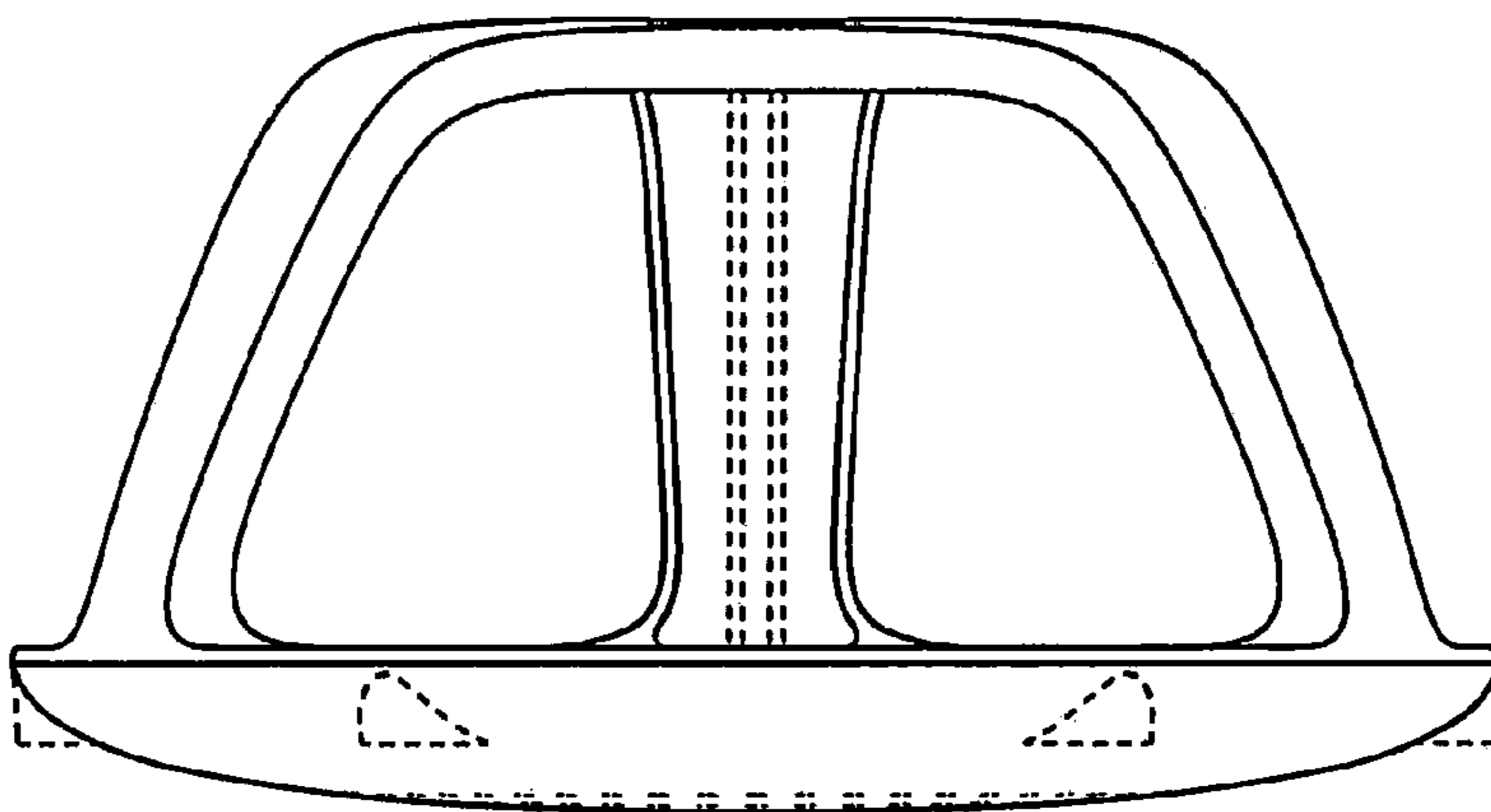


FIG. 2

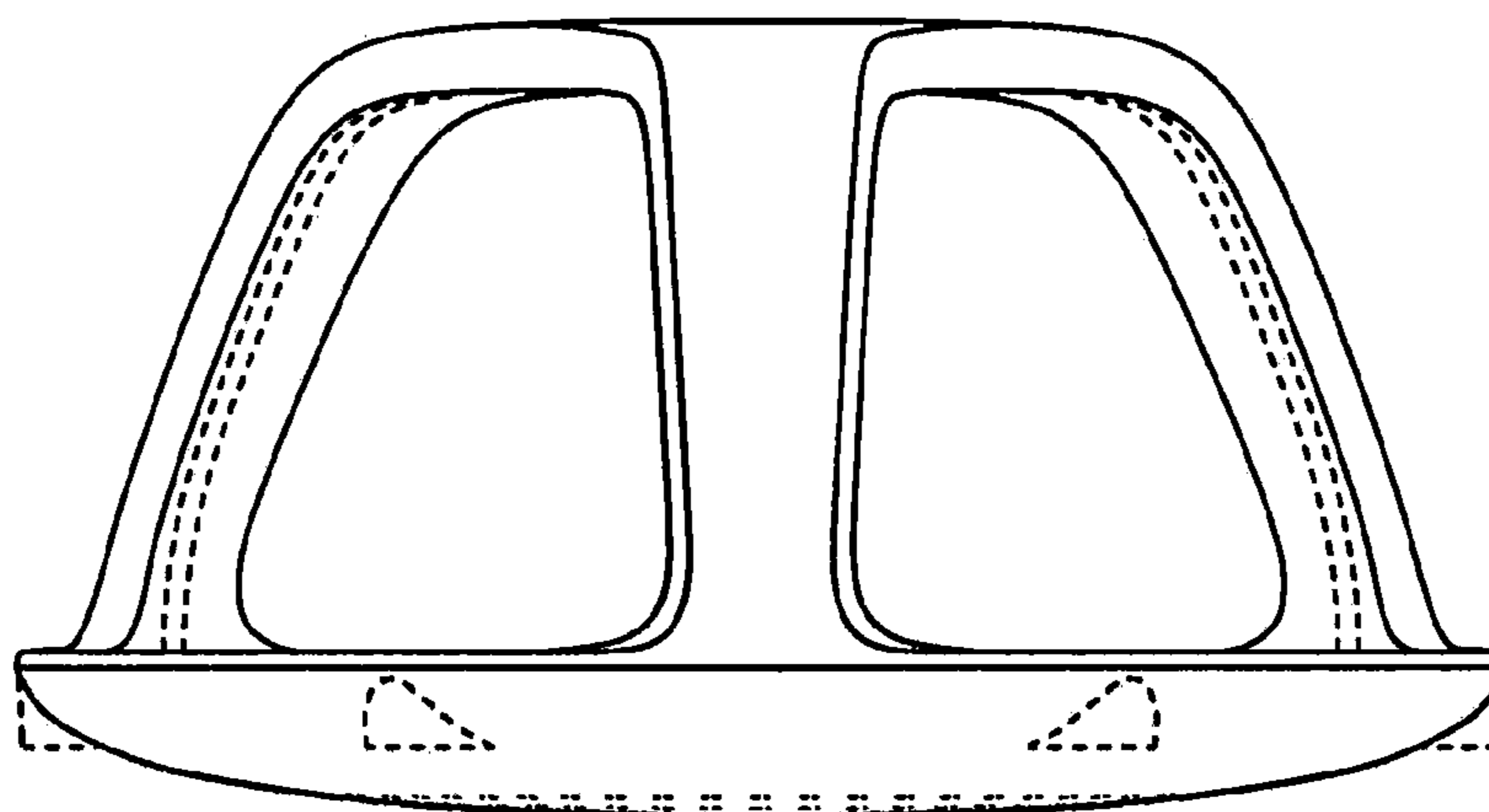


FIG. 3

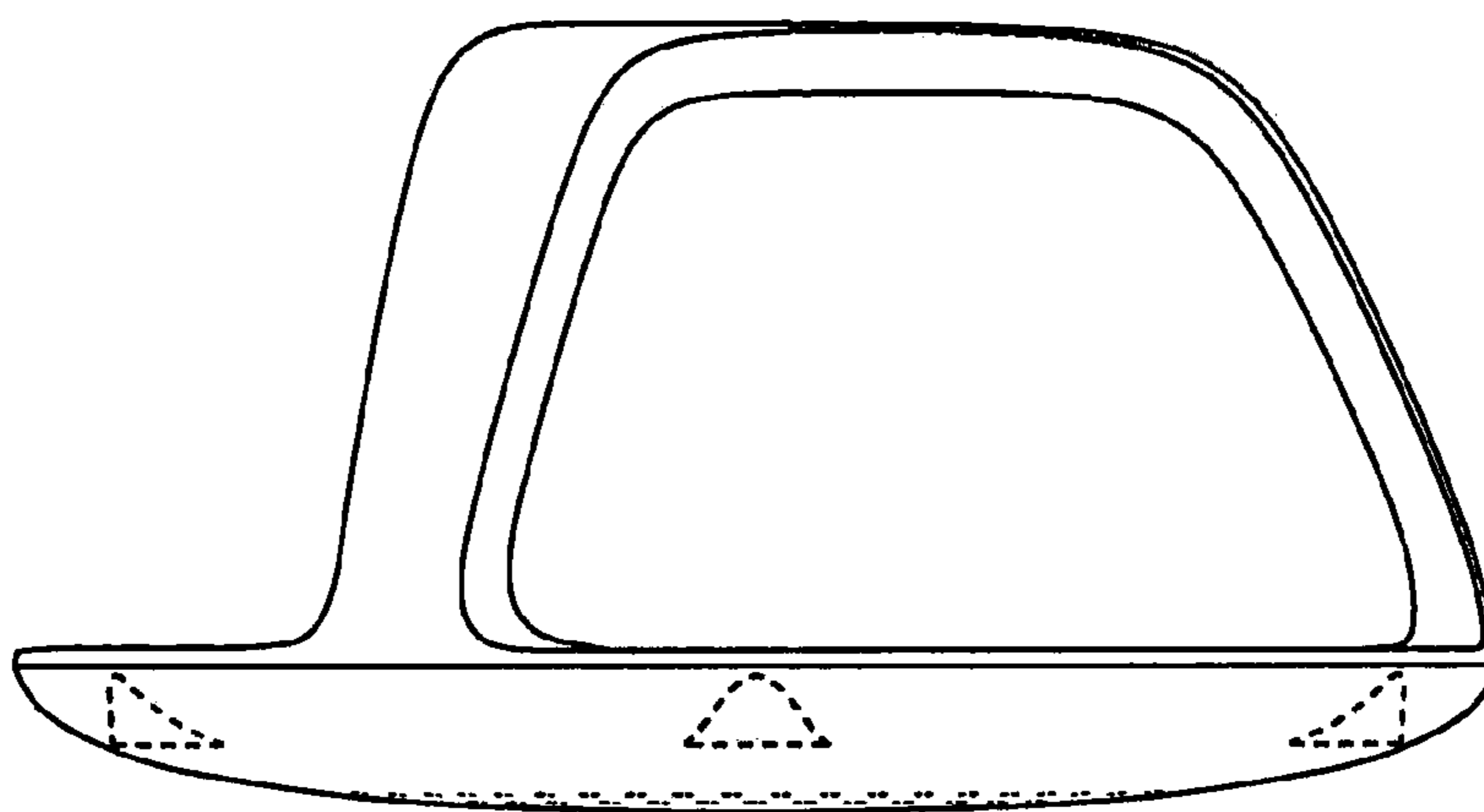


FIG. 4

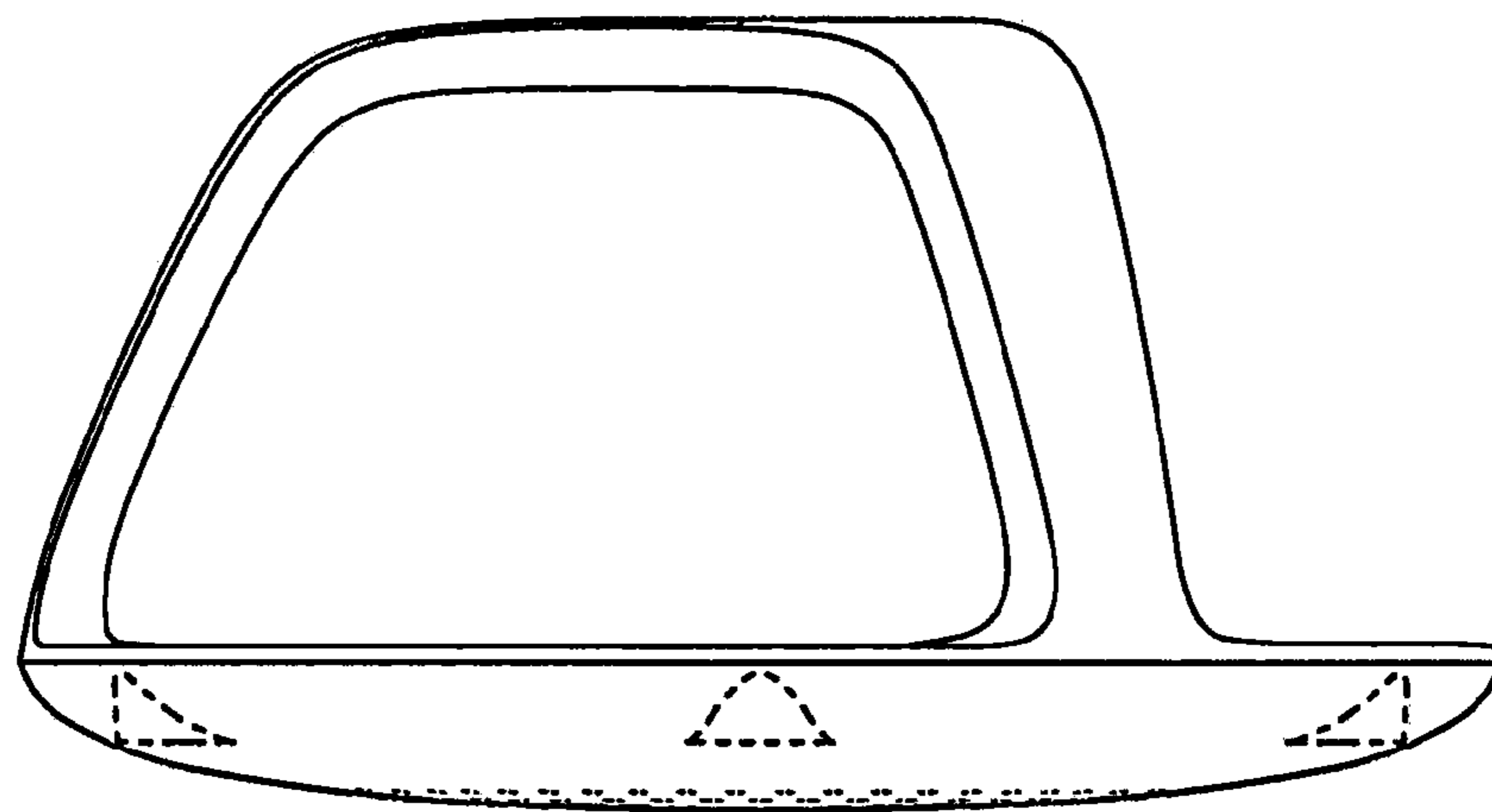


FIG. 5

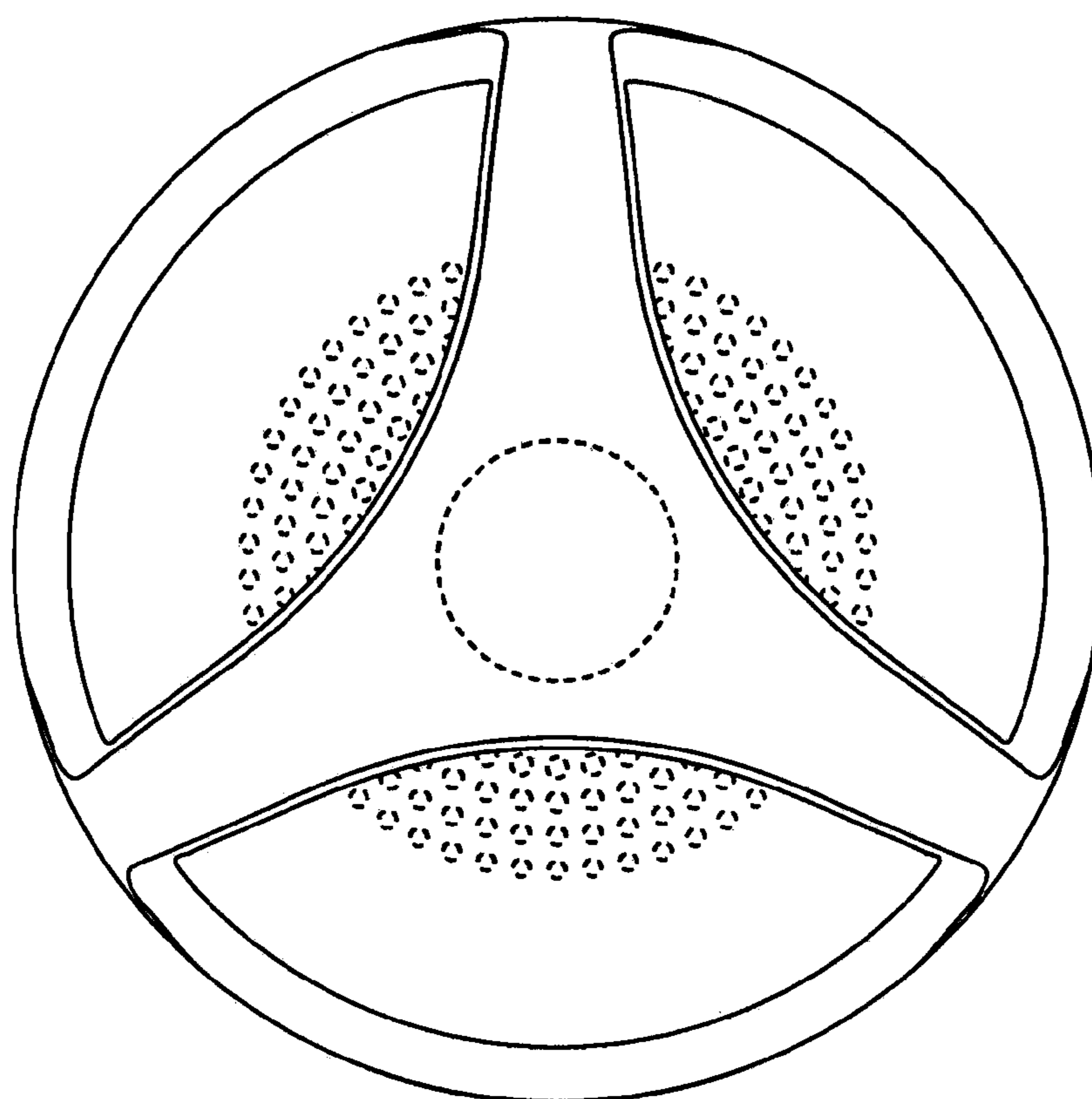


FIG. 6

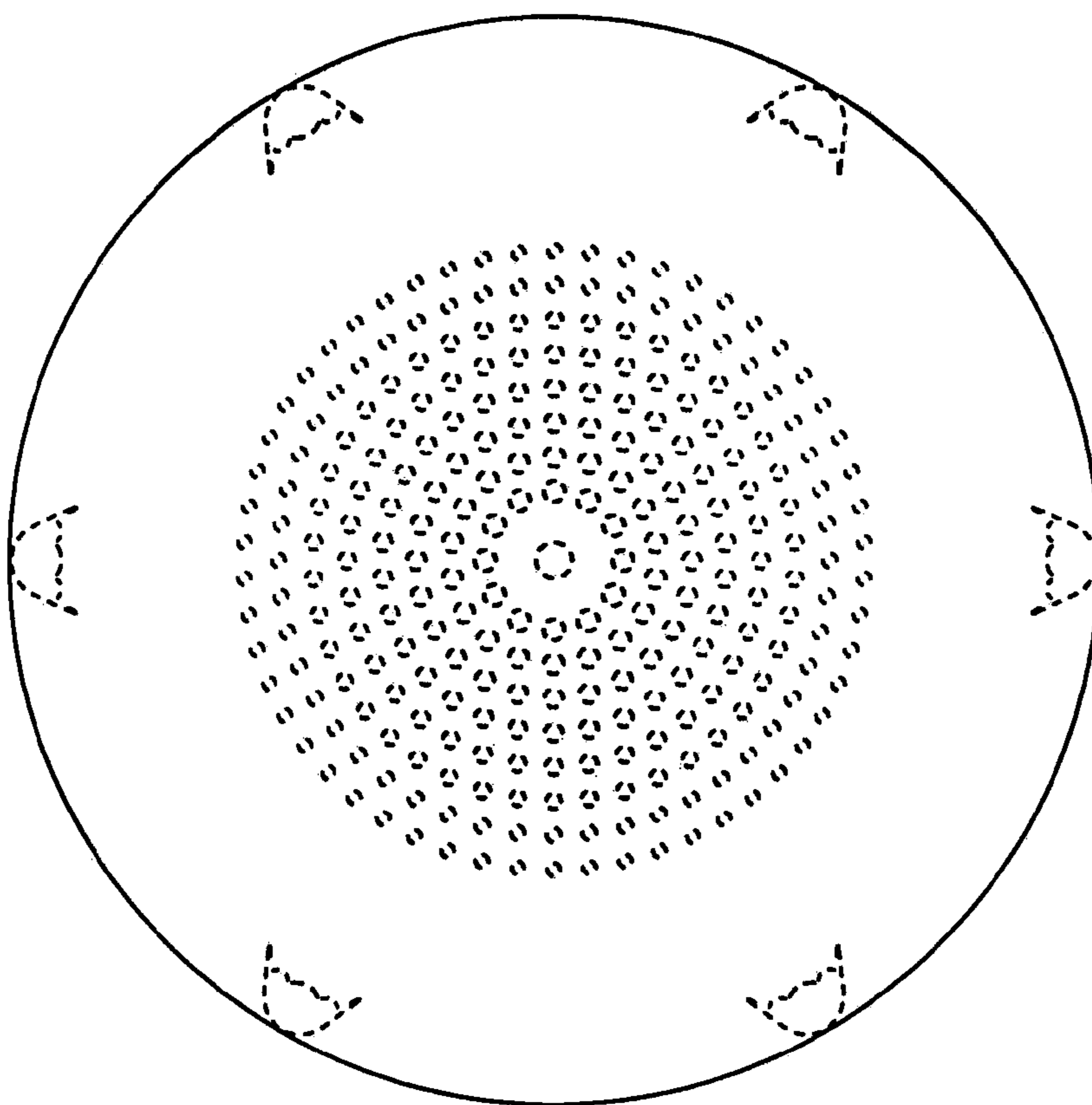


FIG. 7