



US00D689722S

(12) **United States Design Patent**  
**Long**

(10) **Patent No.:** **US D689,722 S**

(45) **Date of Patent:** **\*\* Sep. 17, 2013**

(54) **DECORATIVE ARCH**

(71) Applicant: **Christopher L. Long**, Ellicott City, MD  
(US)

(72) Inventor: **Christopher L. Long**, Ellicott City, MD  
(US)

(\*\*) Term: **14 Years**

(21) Appl. No.: **29/441,195**

(22) Filed: **Jan. 2, 2013**

(51) **LOC (9) Cl.** ..... **06-01**

(52) **U.S. Cl.**  
USPC ..... **D6/708**

(58) **Field of Classification Search**  
USPC ..... D6/335-338, 340, 349-355, 358,  
D6/359, 364, 366, 376, 708, 716, 716.1;  
297/16.1, 39, 46, 135, 140, 156, 158.3, 158.4,  
297/175, 177, 187, 195.1, 195.11, 211, 245,  
297/423.1, 423.16, 445.1, 461, 462; D23/277,  
D23/289; D24/201, 204, 212, 213  
See application file for complete search history.

(56) **References Cited**

**U.S. PATENT DOCUMENTS**

D561,903 S *	2/2008	Ton	.....	D24/204
D569,135 S *	5/2008	Galati et al.	.....	D6/495
D585,142 S *	1/2009	Galati et al.	.....	D24/213
D589,285 S *	3/2009	Tran	.....	D6/495
D612,509 S *	3/2010	Tran	.....	D24/204
D615,326 S *	5/2010	Tran	.....	D6/495
D616,560 S *	5/2010	Cong	.....	D24/204
D616,561 S *	5/2010	Ton	.....	D24/204
D618,815 S *	6/2010	Dang	.....	D24/204
D623,428 S *	9/2010	Galati et al.	.....	D6/336
D626,360 S *	11/2010	Galati et al.	.....	D6/500

D672,583 S \* 12/2012 Karim ..... D6/716  
D675,704 S \* 2/2013 Niu ..... D23/204  
2004/0060106 A1\* 4/2004 Mistarz ..... 4/507

\* cited by examiner

*Primary Examiner* — Sandra Snapp

(74) *Attorney, Agent, or Firm* — Lowe Hauptman & Ham,  
LLP

(57) **CLAIM**

The ornamental design for a decorative arch, as shown.

**DESCRIPTION**

FIG. 1 is a perspective view of a first embodiment of a decorative arch;

FIG. 2 is a front view thereof;

FIG. 3 is a rear view thereof;

FIG. 4 is a right side view thereof;

FIG. 5 is a left side view thereof;

FIG. 6 is a top view thereof;

FIG. 7 is a bottom view thereof;

FIG. 8 is a perspective view of a second embodiment of a decorative arch installed on a pedicure spa base;

FIG. 9 is a front view thereof installed on a pedicure spa base;

FIG. 10 is a rear view thereof installed on a pedicure spa base;

FIG. 11 is a right side view thereof installed on a pedicure spa base;

FIG. 12 is a left side view thereof installed on a pedicure spa base;

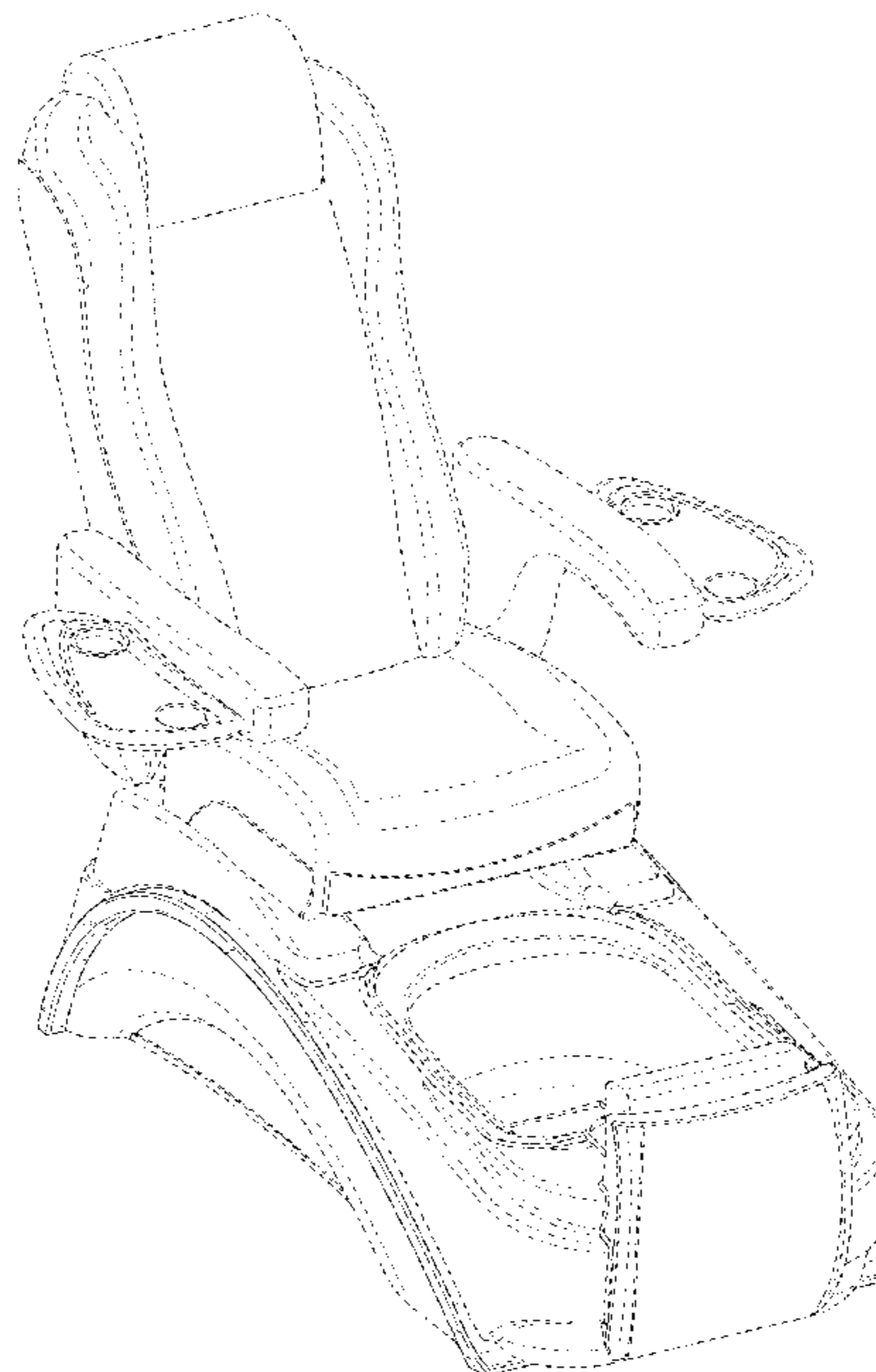
FIG. 13 is a top view thereof installed on a pedicure spa base;

FIG. 14 is a bottom view thereof installed on a pedicure spa base; and,

FIG. 15 is a perspective view thereof installed on a pedicure spa base having a chair.

The broken lines of FIGS. 8-15 form no part of the claimed design and are used to illustrate environmental structure.

**1 Claim, 13 Drawing Sheets**



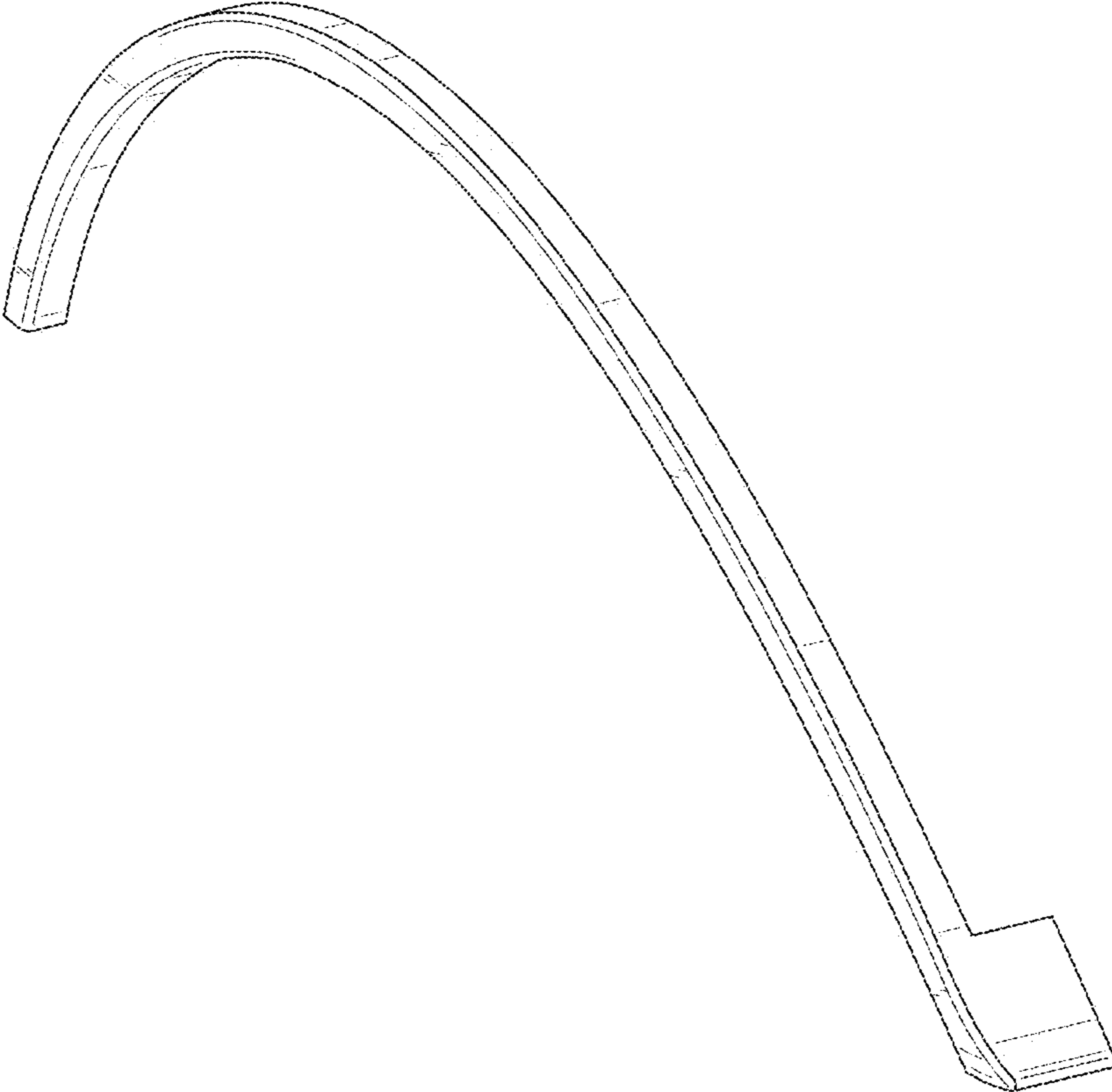


FIG. 1

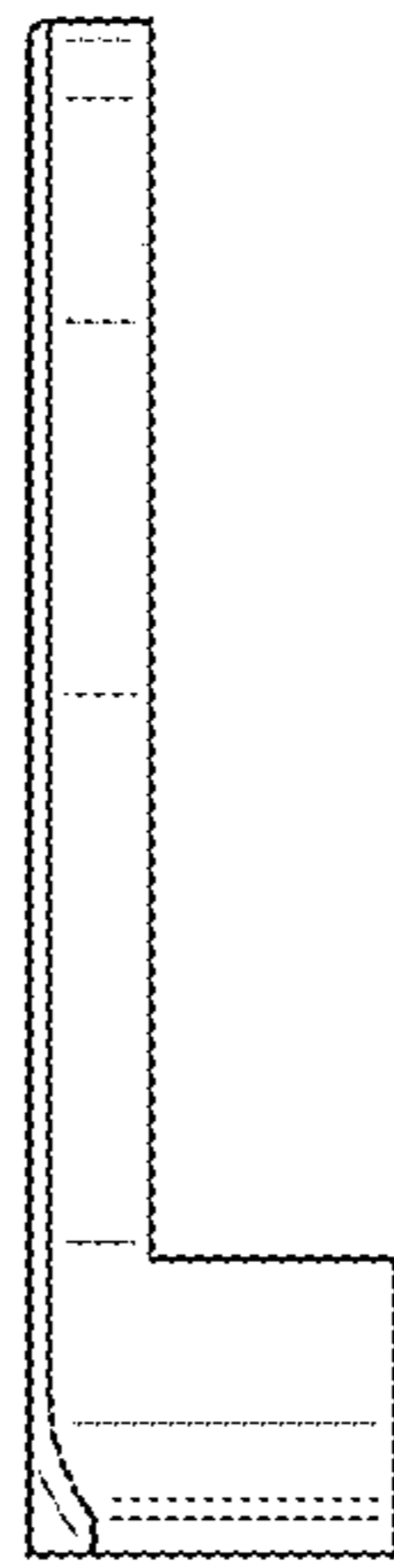


FIG. 2

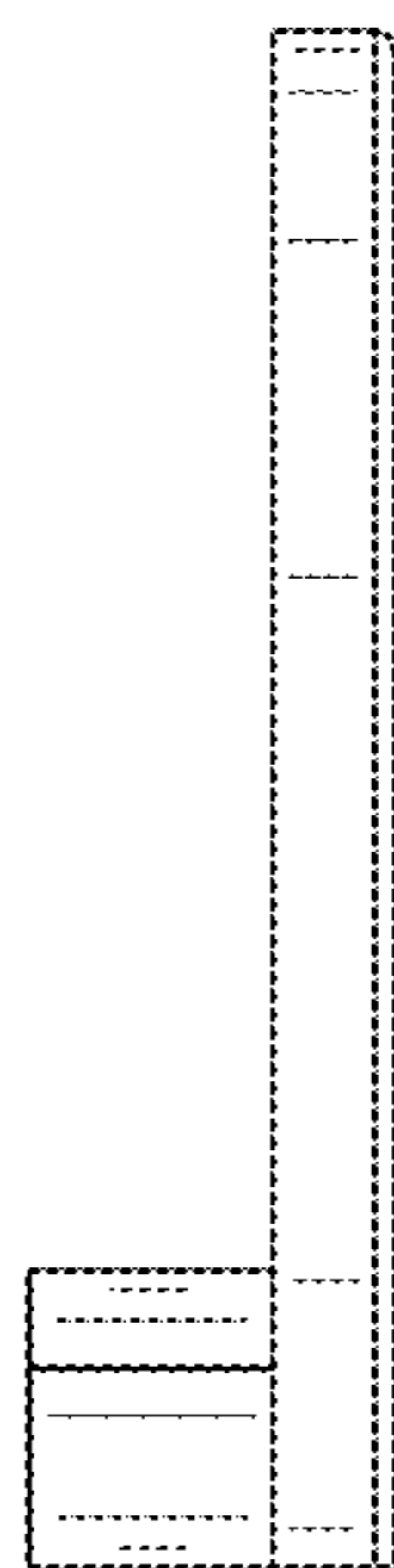


FIG. 3

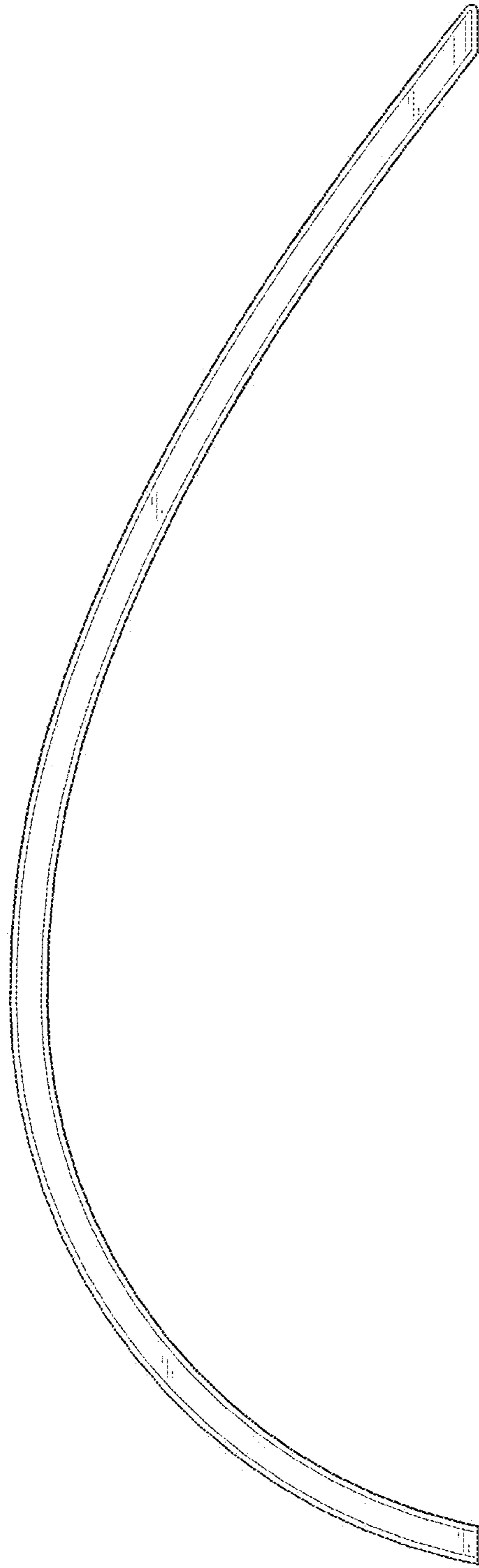


FIG. 4

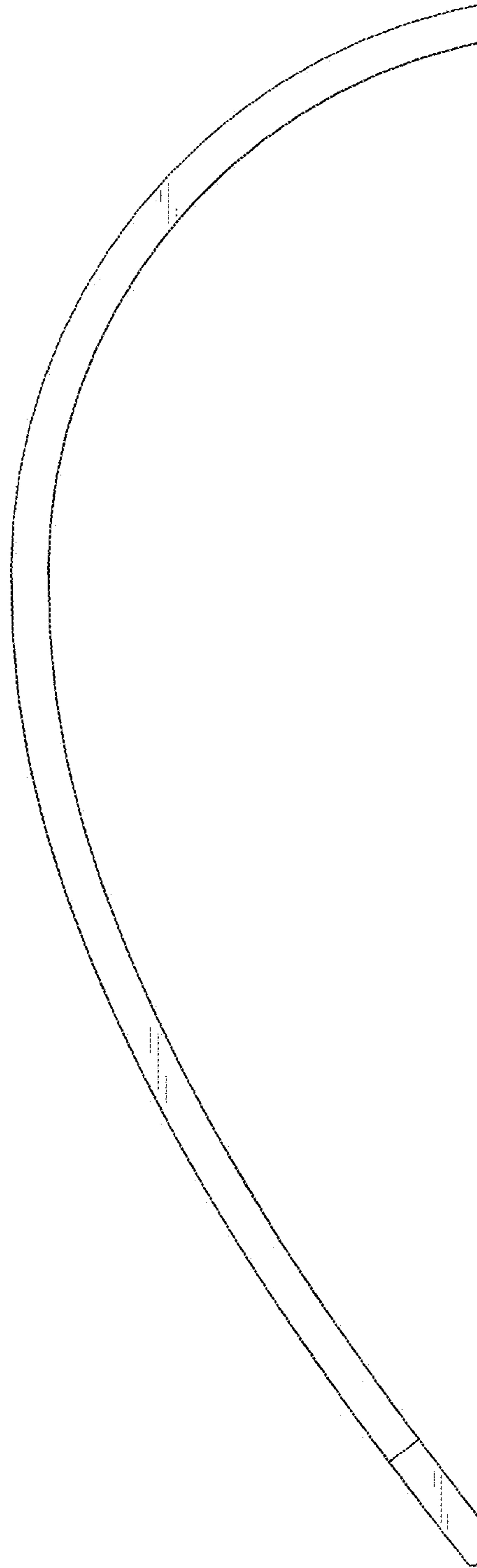


FIG. 5

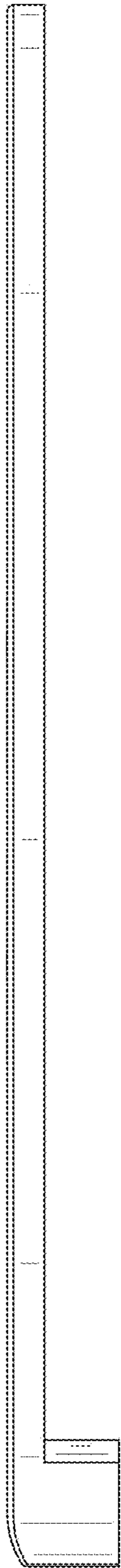


FIG. 6

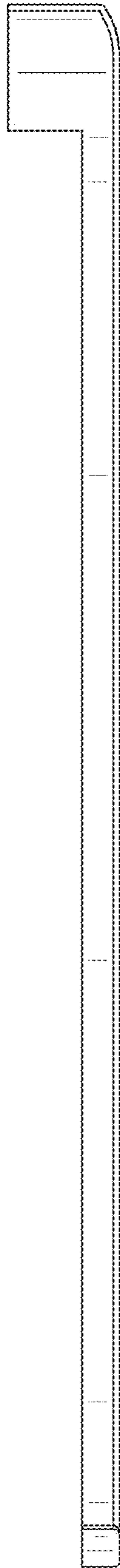


FIG. 7

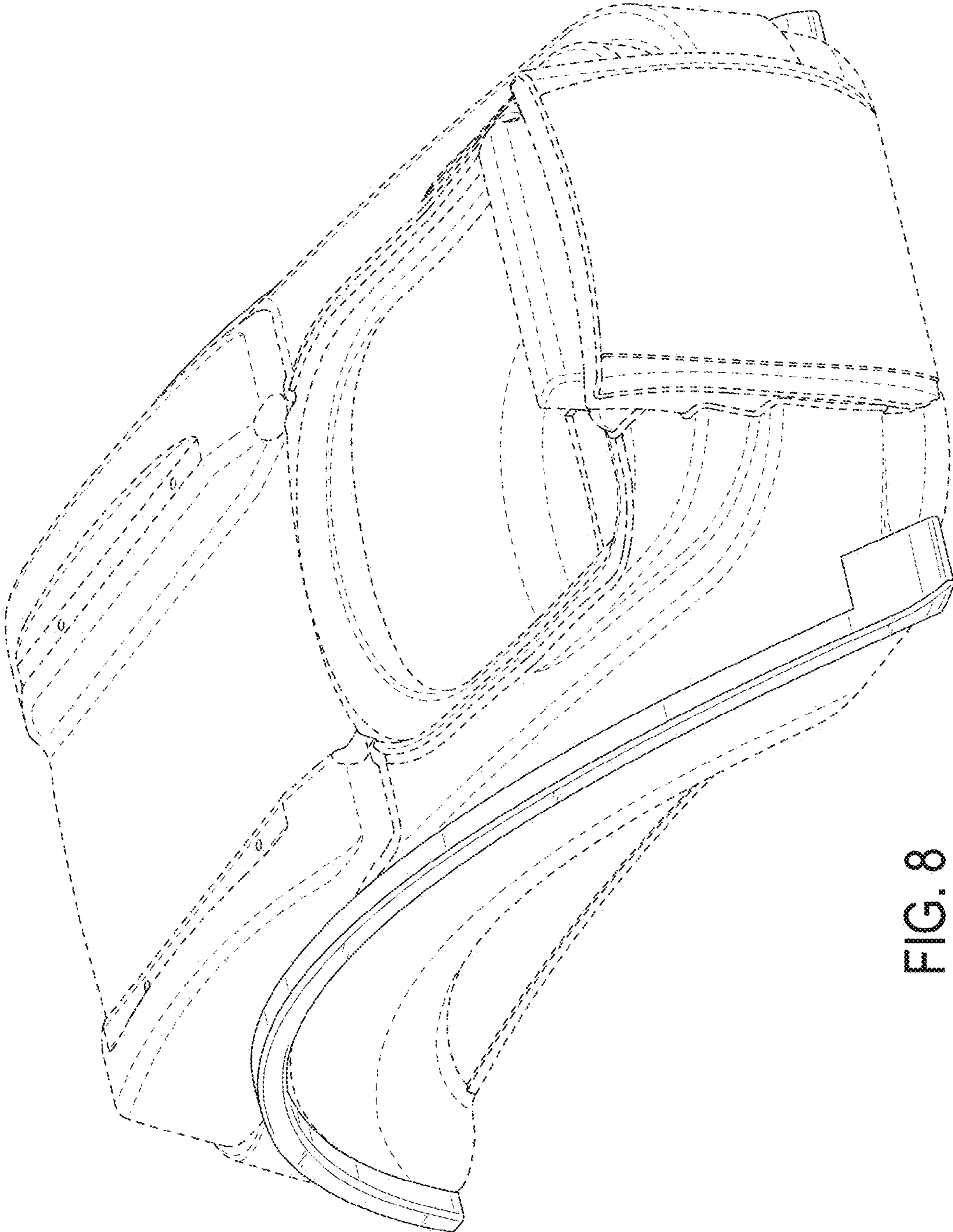


FIG. 8



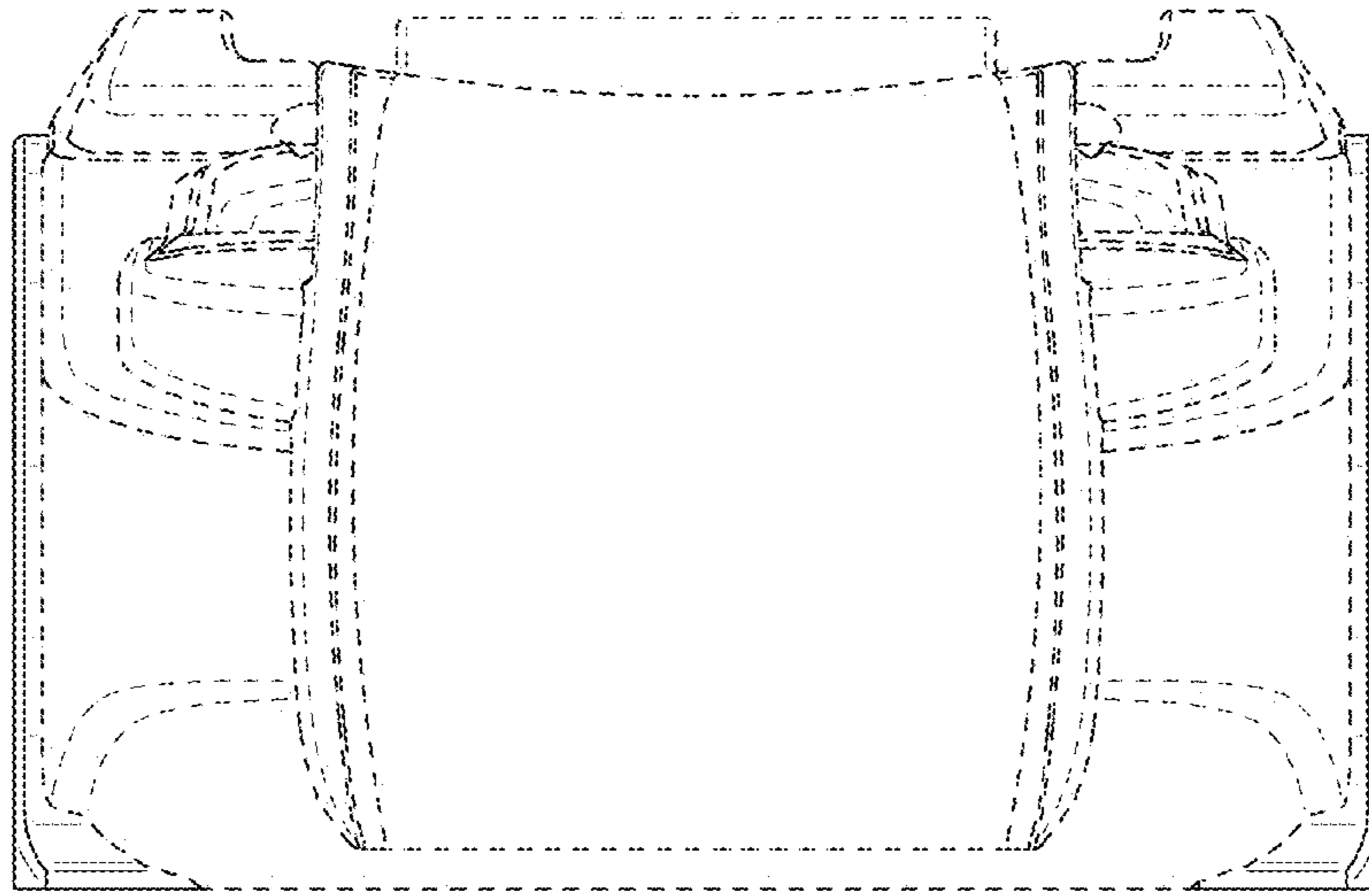


FIG. 9

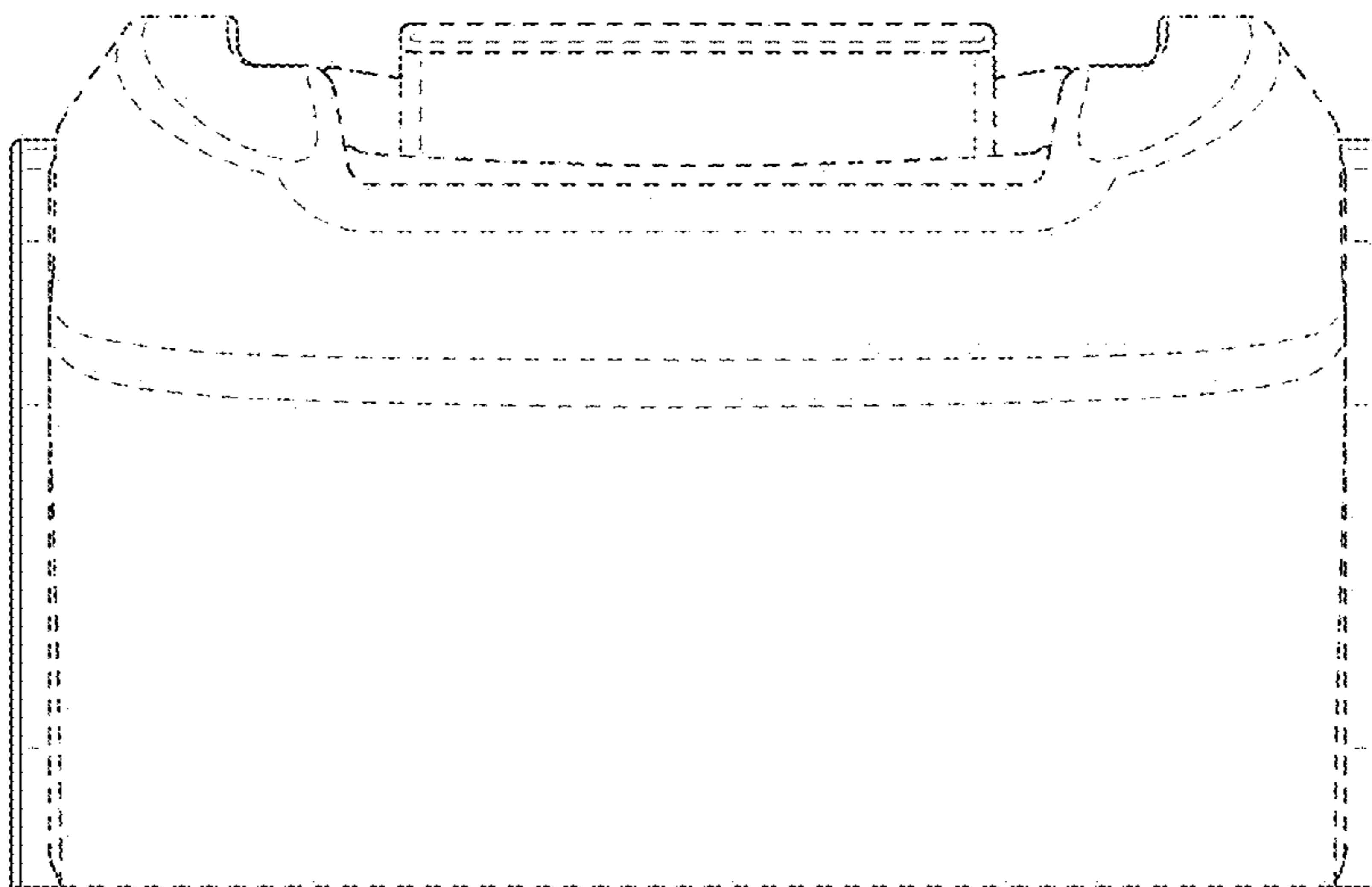


FIG. 10

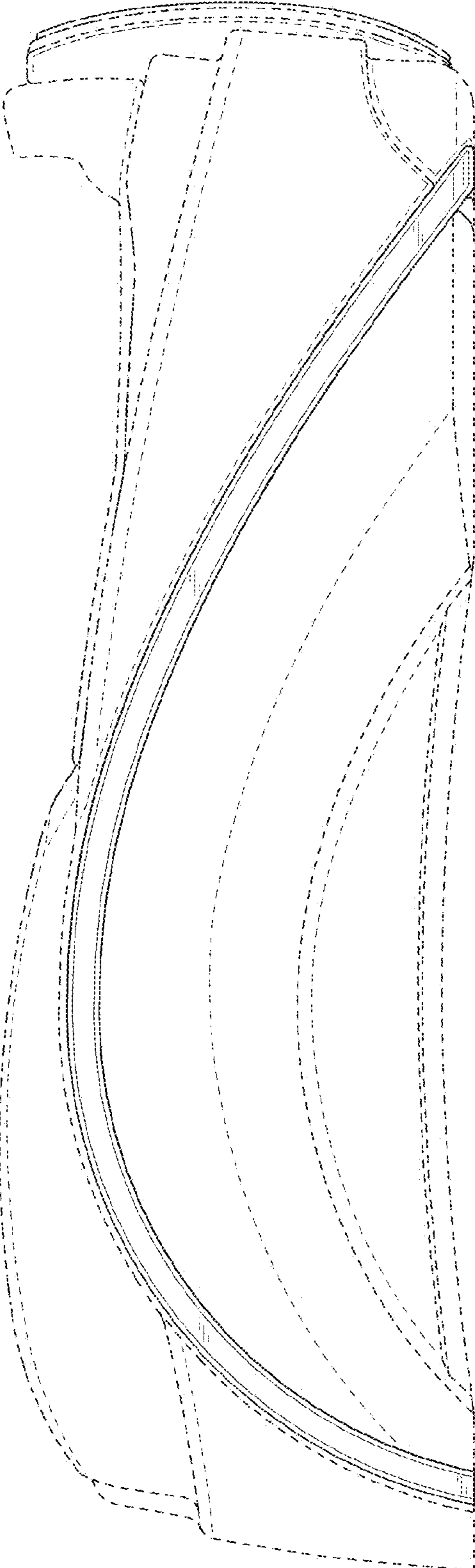


FIG. 11

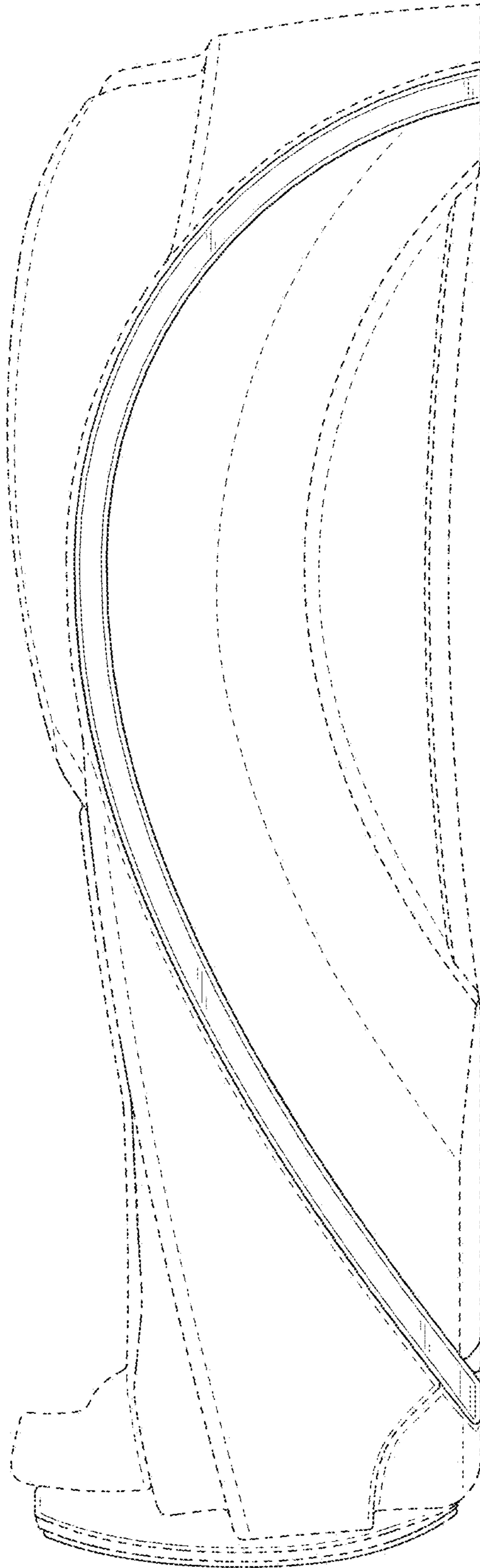


FIG. 12

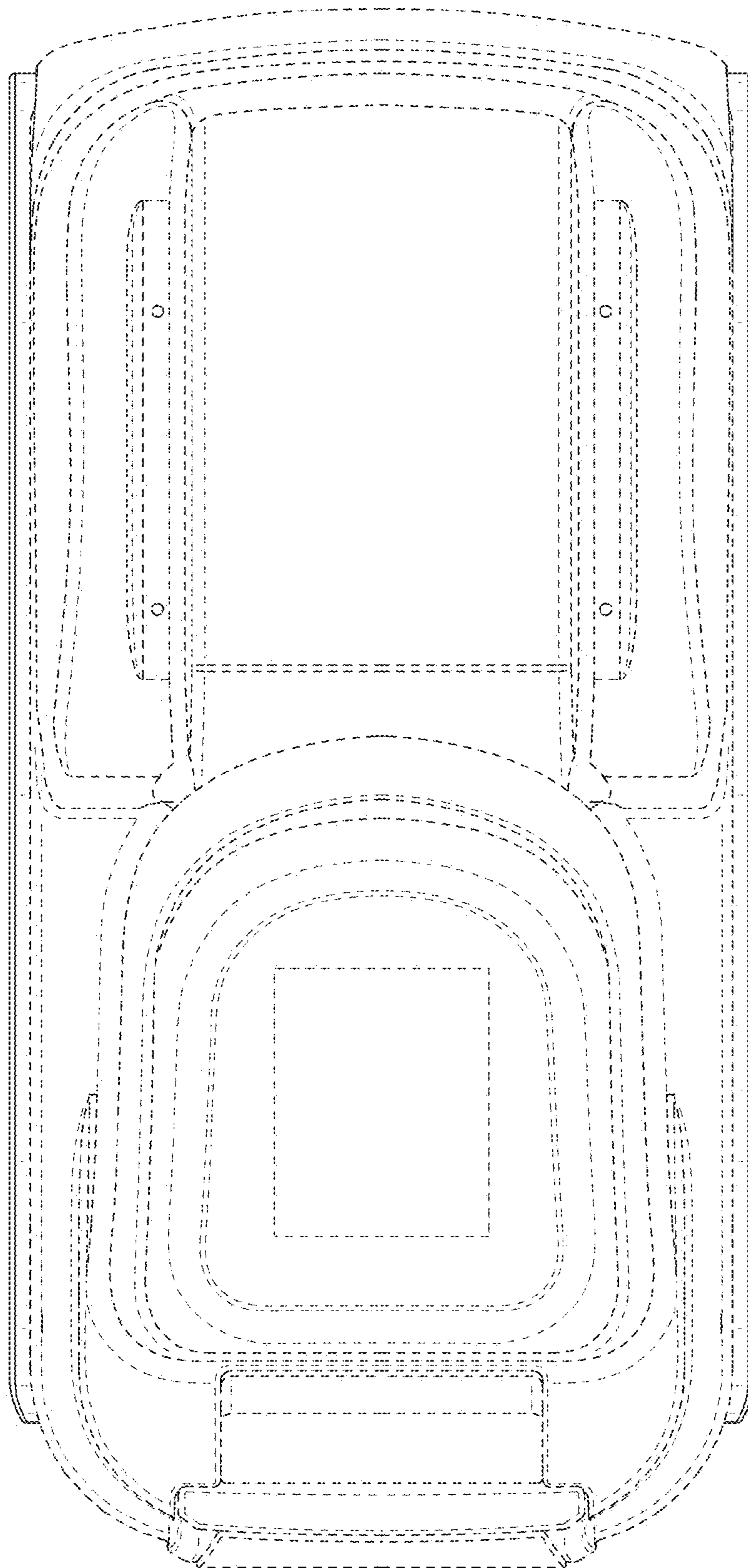


FIG. 13

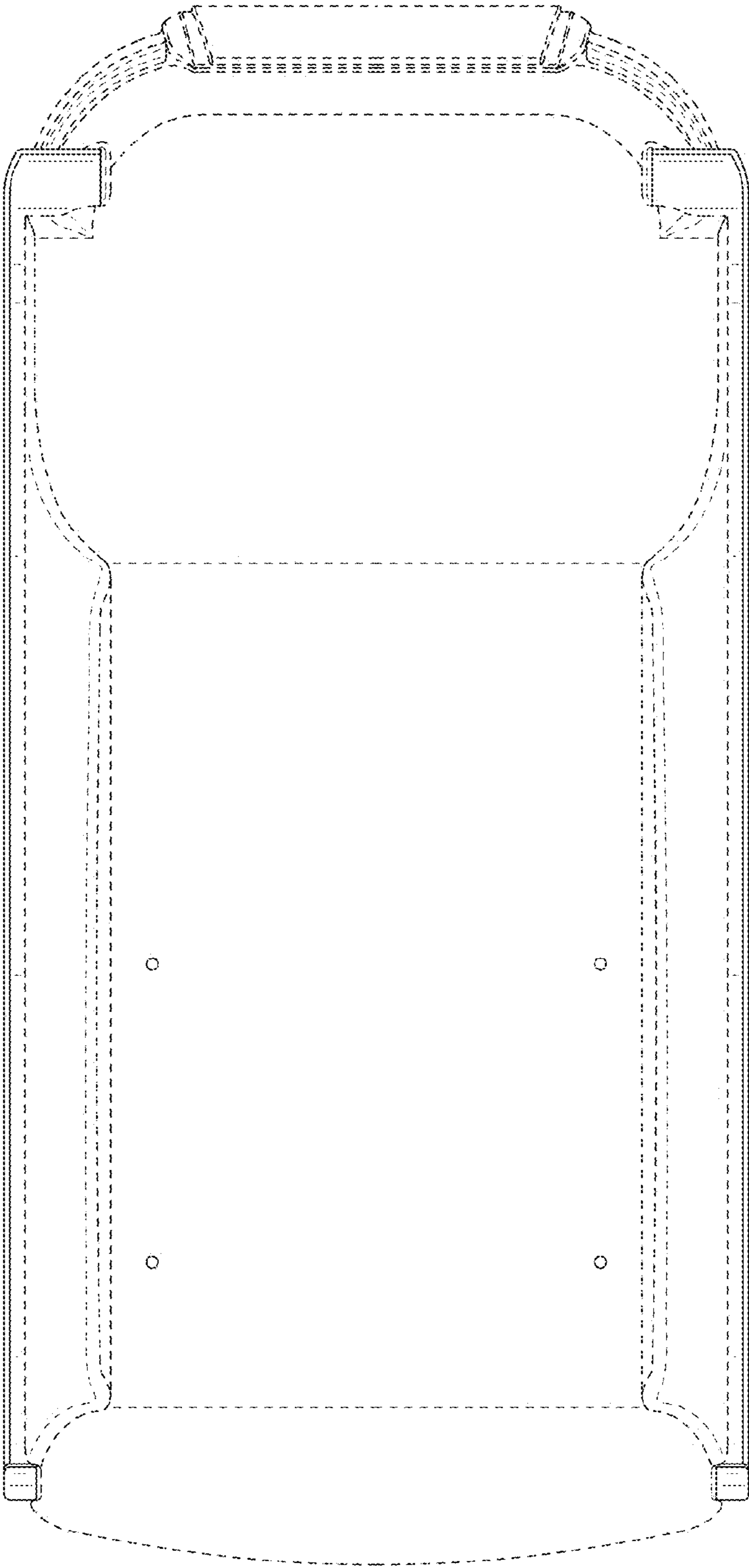


FIG. 14

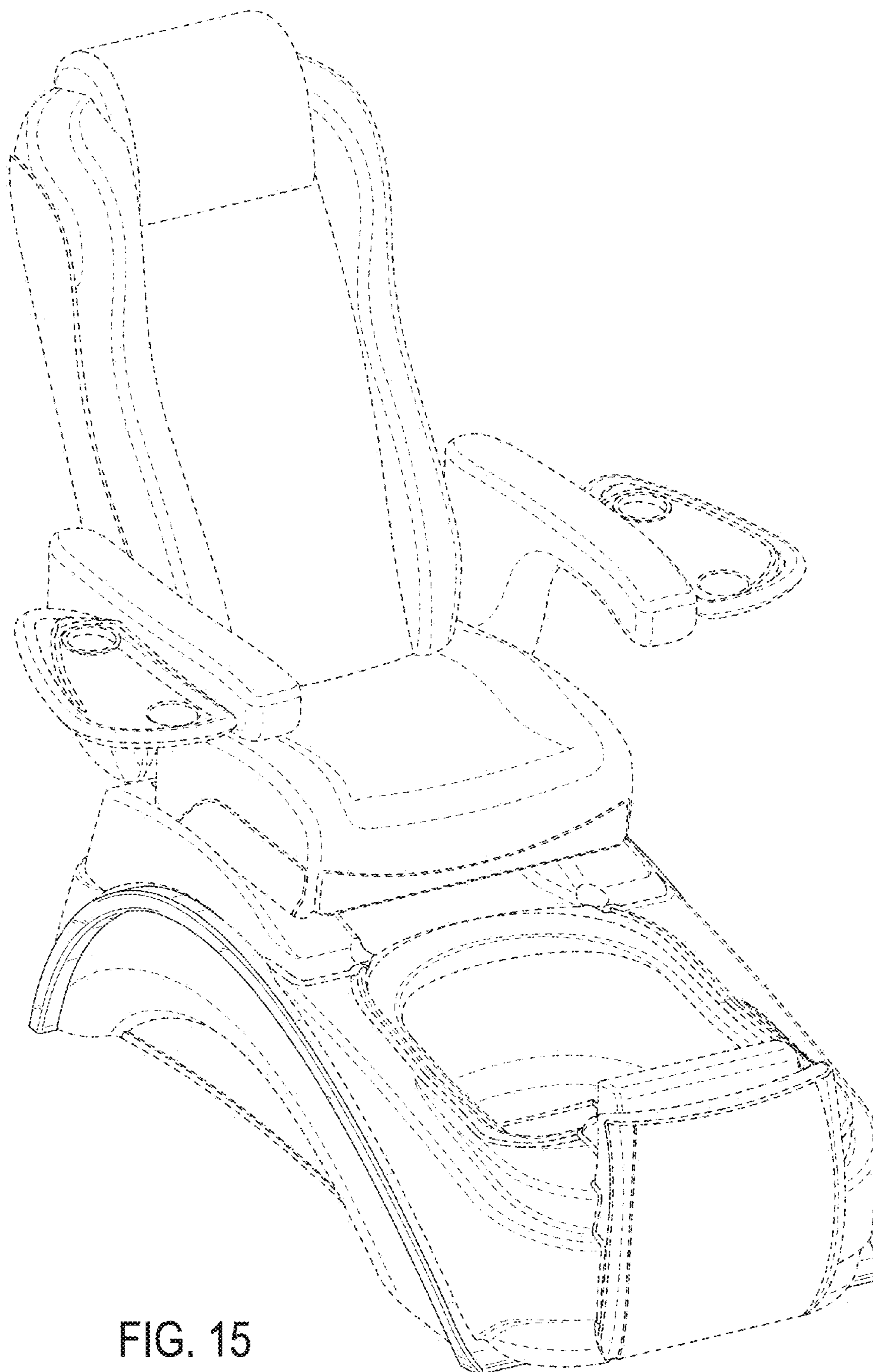


FIG. 15