



US00D689719S

(12) **United States Design Patent**  
**Mari**

(10) **Patent No.:** **US D689,719 S**

(45) **Date of Patent:** **\*\* Sep. 17, 2013**

(54) **STORAGE TABLE**

(75) Inventor: **Enzo Mari**, Milan (IT)

(73) Assignee: **Hermes Sellier (Societe par Actions Simpliffee)**, Paris (FR)

(\*\*) Term: **14 Years**

(21) Appl. No.: **29/409,136**

(22) Filed: **Dec. 20, 2011**

(30) **Foreign Application Priority Data**

Jun. 21, 2011 (EM) ..... 001880899

(51) **LOC (9) Cl.** ..... **06-03**

(52) **U.S. Cl.**  
USPC ..... **D6/686; D6/664; D6/692**

(58) **Field of Classification Search**  
USPC ..... D6/480-489, 495, 496, 499, 511,  
D6/668.2, 707.19, 707.22, 708.16, 708.17,  
D6/708.2, 708.23; 108/150, 153.1, 155,  
108/157, 161, 25, 50.12; 248/188, 188.1,  
248/188.7, 188.8

See application file for complete search history.

(56) **References Cited**

U.S. PATENT DOCUMENTS

D181,539 S *	11/1957	Lubberts .....	D6/433
D193,194 S *	7/1962	Black .....	D6/438
D341,278 S *	11/1993	Peterson .....	D6/480
D374,140 S *	10/1996	Paus .....	D6/488
D382,144 S *	8/1997	Lo .....	D6/480
D492,512 S *	7/2004	Domack .....	D6/477
D508,802 S *	8/2005	Risdon et al. ....	D6/480

\* cited by examiner

*Primary Examiner* — Janice Seeger

(74) *Attorney, Agent, or Firm* — Foley & Lardner LLP

(57) **CLAIM**

I claim the ornamental design for a storage table, as shown and described.

**DESCRIPTION**

FIG. 1 is a front perspective view of a storage table of the claimed design, shown in a closed position;

FIG. 2 is another front perspective view of the storage table shown in FIG. 1, shown in an open position;

FIG. 3 is a top view of the storage table shown in FIG. 1, shown in an open position; and,

FIG. 4 is a bottom view of the storage table shown in FIG. 1, shown in a closed position.

The broken lines in the figures are for illustrative purposes only and form no part of the claimed design.

**1 Claim, 4 Drawing Sheets**

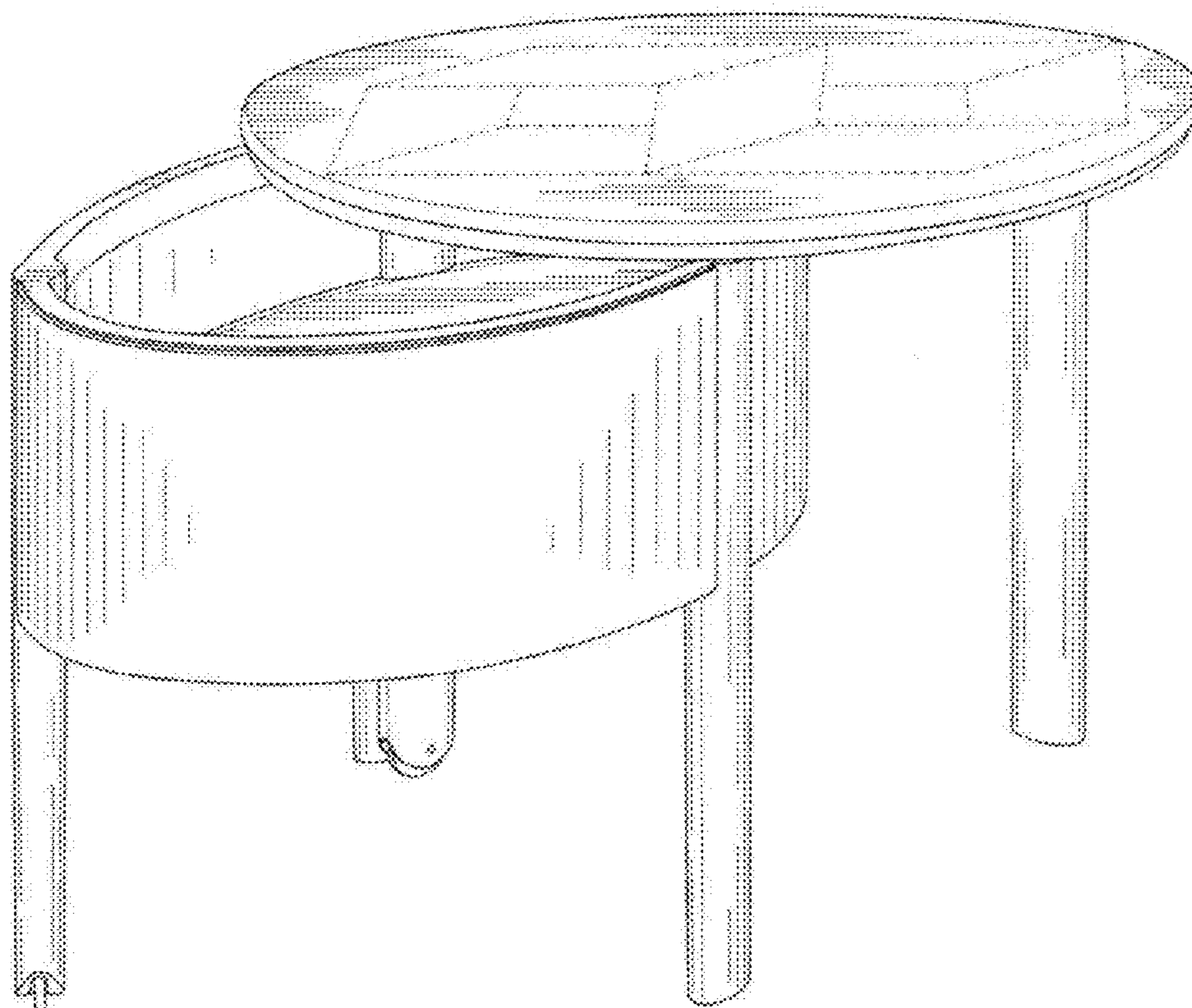


Fig. 1

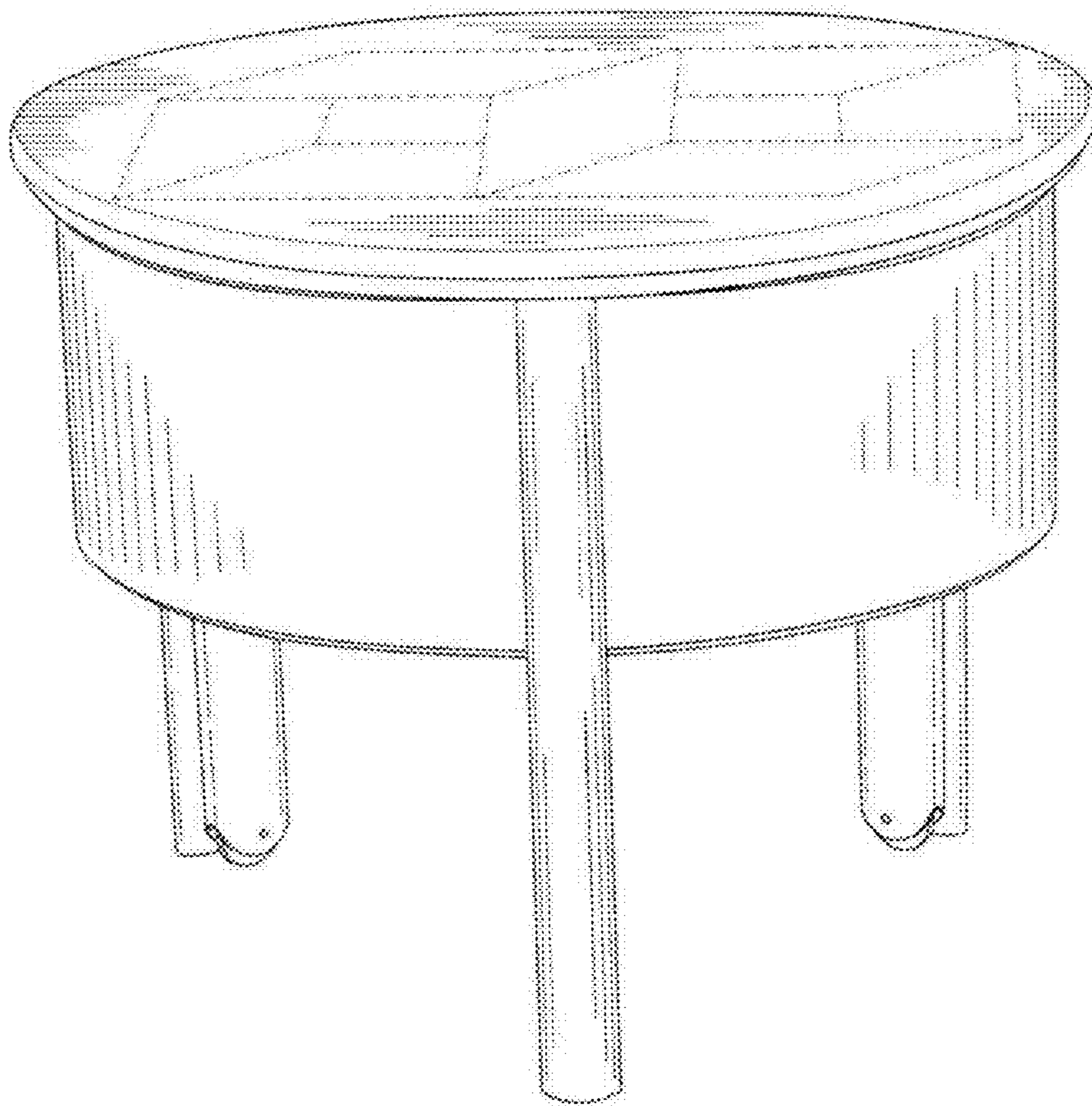


Fig. 2

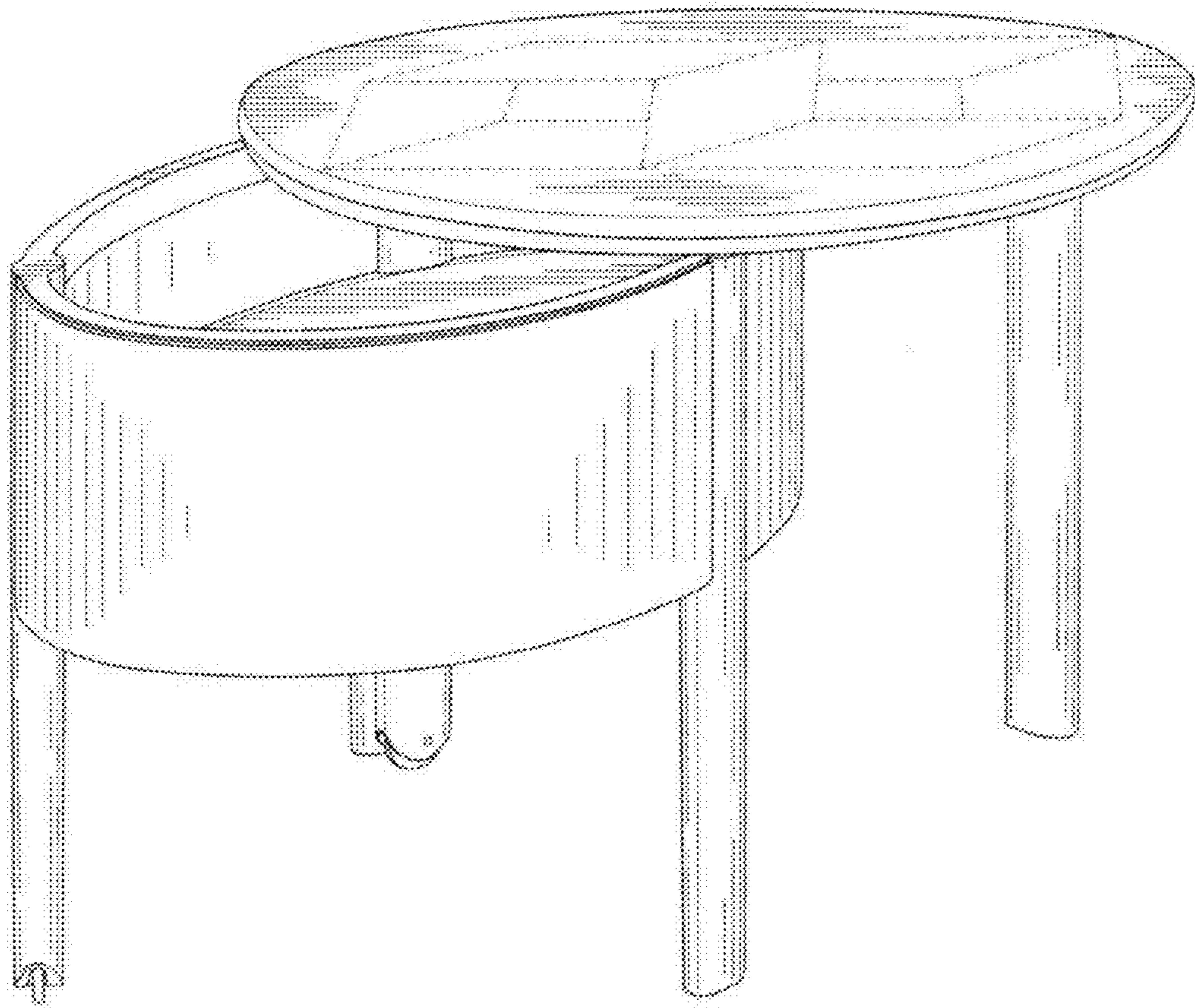




Fig. 3

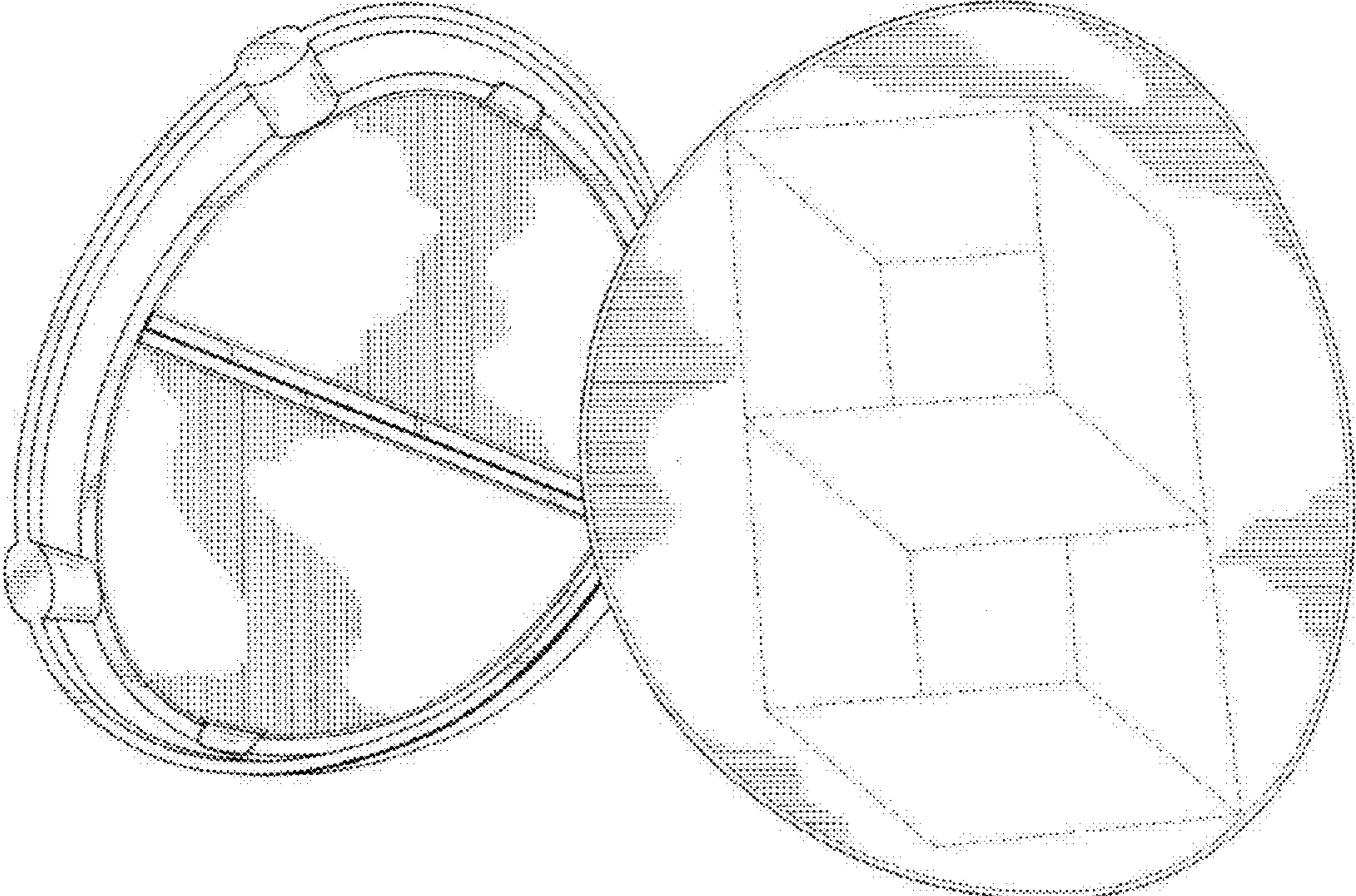


Fig. 4

