



US00D689718S

(12) **United States Design Patent**
Puckett

(10) **Patent No.:** **US D689,718 S**

(45) **Date of Patent:** **** Sep. 17, 2013**

- (54) **DISPLAY STAND AND CARRIER**
- (71) Applicant: **Debbie S. Puckett**, Vernal, UT (US)
- (72) Inventor: **Debbie S. Puckett**, Vernal, UT (US)
- (**) Term: **14 Years**
- (21) Appl. No.: **29/449,826**
- (22) Filed: **Mar. 15, 2013**
- (51) **LOC (9) Cl.** **06-06**
- (52) **U.S. Cl.**
USPC **D6/683**
- (58) **Field of Classification Search**
USPC D3/276, 304-310; D6/396-397,
D6/449, 466-467, 470-471, 473, 491-493,
D6/509-511, 672, 672.1, 673, 675, 683;
211/71.01; 248/688, 444, 469, 121, 127,
248/133, 371
See application file for complete search history.

D432,576	S	10/2000	Stravitz	
D467,732	S *	12/2002	Taylor et al.	D3/304
6,575,315	B2	6/2003	Zidek	
D516,362	S *	3/2006	Penarroya Farell	D6/627
D517,319	S *	3/2006	Wisnoski et al.	D3/304
D521,773	S	5/2006	Brown	
D583,562	S *	12/2008	Ghiorghie	D3/304
7,607,699	B2	10/2009	Langford	
D612,872	S *	3/2010	Baacke et al.	D15/89
D615,300	S *	5/2010	Brown et al.	D3/304
D623,441	S *	9/2010	Schaeffer	D6/470
D626,747	S *	11/2010	Brown et al.	D3/304
D650,013	S	12/2011	Yi et al.	
D652,660	S *	1/2012	Roeske	D6/515
D654,726	S *	2/2012	Nealon et al.	D6/466
D658,882	S *	5/2012	Cullen	D3/313
2004/0026294	A1	2/2004	Platte, III	
2006/0008320	A1	1/2006	Spaulding	

* cited by examiner

Primary Examiner — Kelley Donnelly
(74) *Attorney, Agent, or Firm* — Montgomery Patent & Design; Robert C. Montgomery

(56) **References Cited**

U.S. PATENT DOCUMENTS

388,434	A	8/1888	Moody	
D129,825	S	10/1941	Simon	
D246,615	S *	12/1977	Downing	D3/304
4,267,905	A	5/1981	Stewart	
D274,012	S *	5/1984	Williams	D3/304
D279,442	S	7/1985	Silver	
D284,917	S *	8/1986	Canter	D6/476
4,760,800	A	8/1988	Hanson	
D301,927	S *	6/1989	Williams	D3/304
D323,441	S *	1/1992	Waldeck	D6/469
D387,498	S	12/1997	Sussman	
D397,151	S	8/1998	Schultz et al.	
D426,092	S *	6/2000	Neustadt	D6/511
D428,752	S *	8/2000	Marquez, Jr.	D6/629

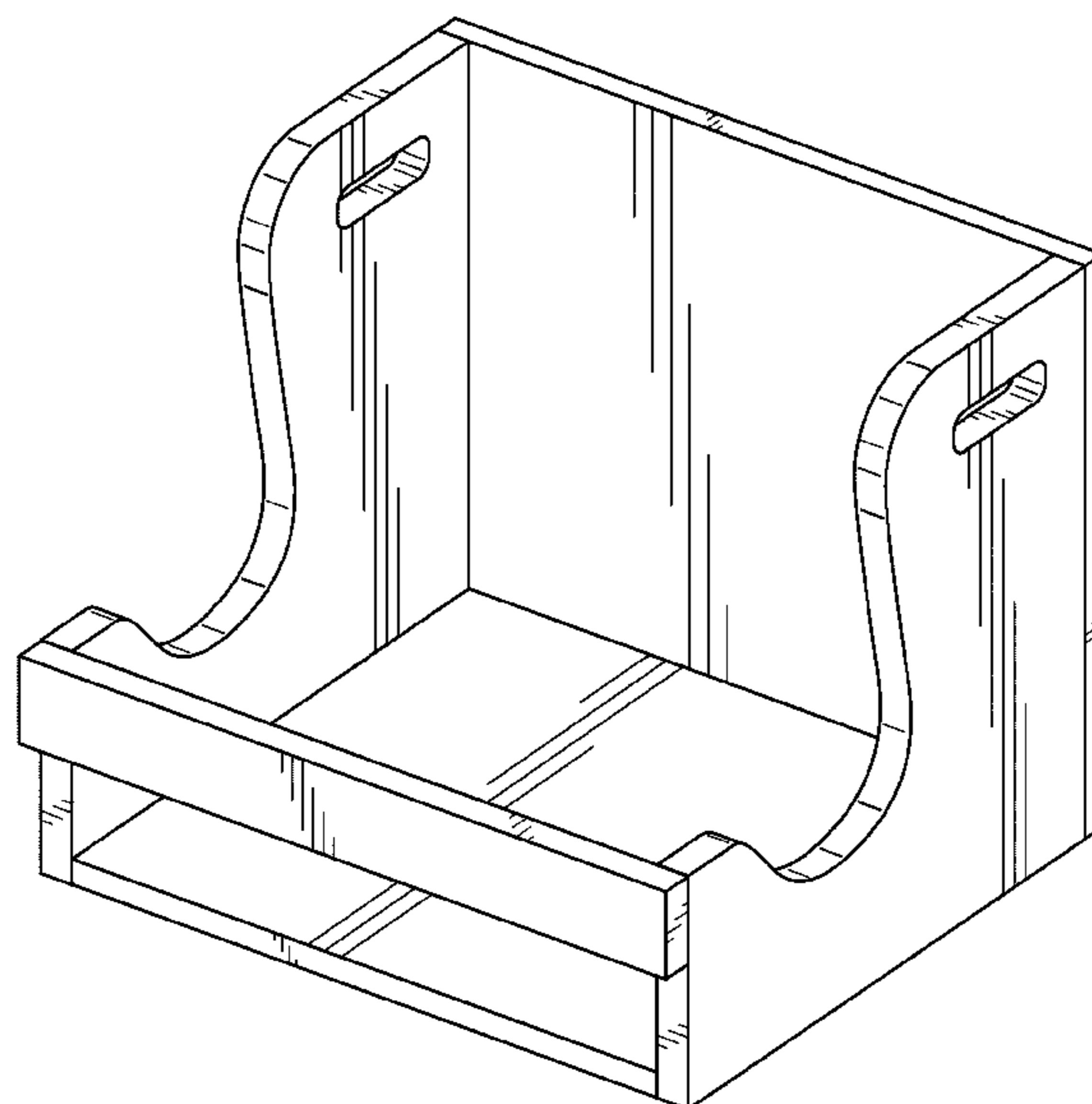
(57) **CLAIM**

The ornamental design for a display rack and carrier, as shown and described.

DESCRIPTION

FIG. 1 is an isometric view of a display rack and carrier;
FIG. 2 is a front view thereof
FIG. 3 is rear view thereof;
FIG. 4 is a left-hand side view thereof;
FIG. 5 is a right-hand side view thereof;
FIG. 6 is a top view thereof; and,
FIG. 7 is a bottom view thereof.

1 Claim, 7 Drawing Sheets



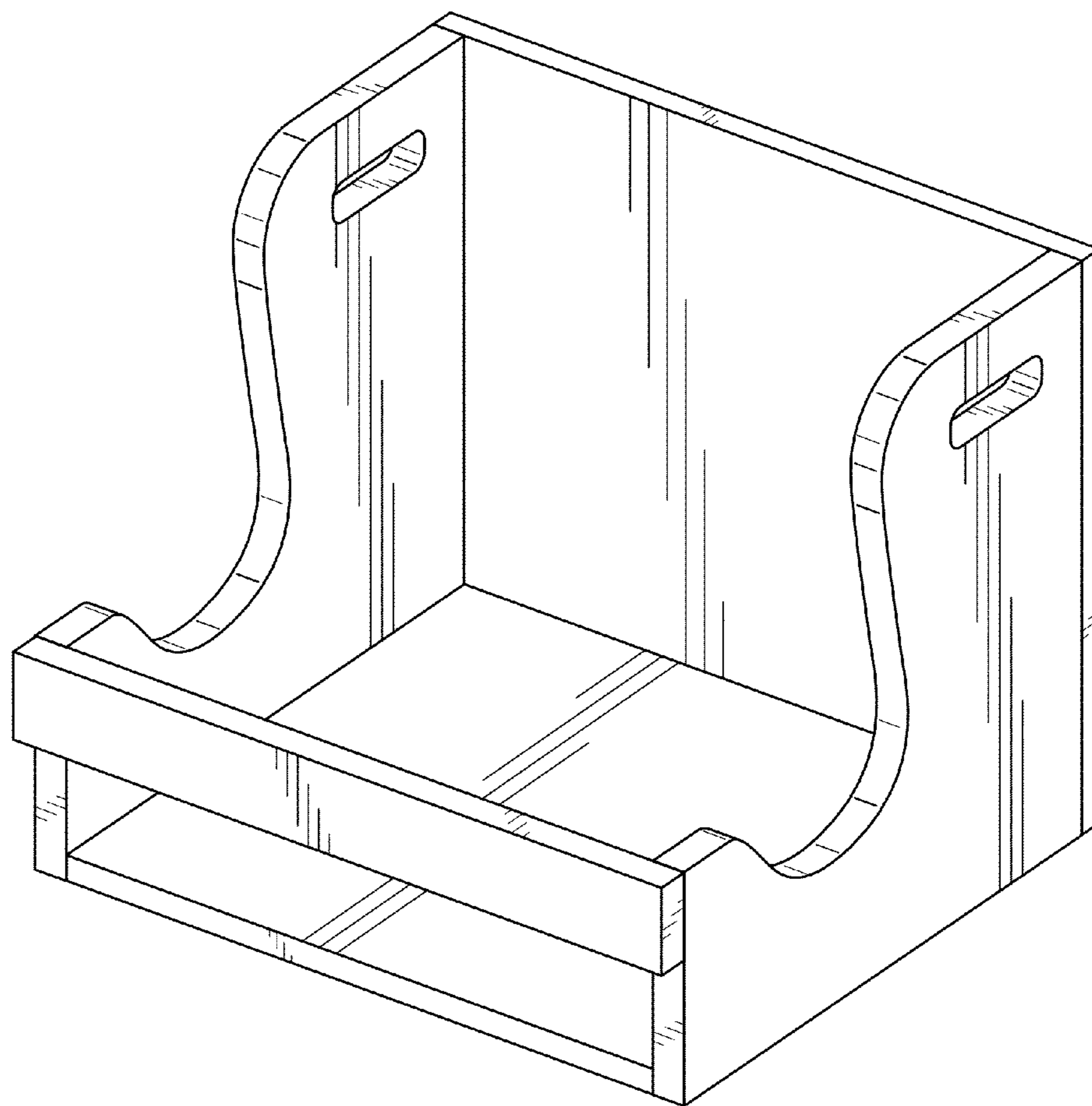


Fig. 1

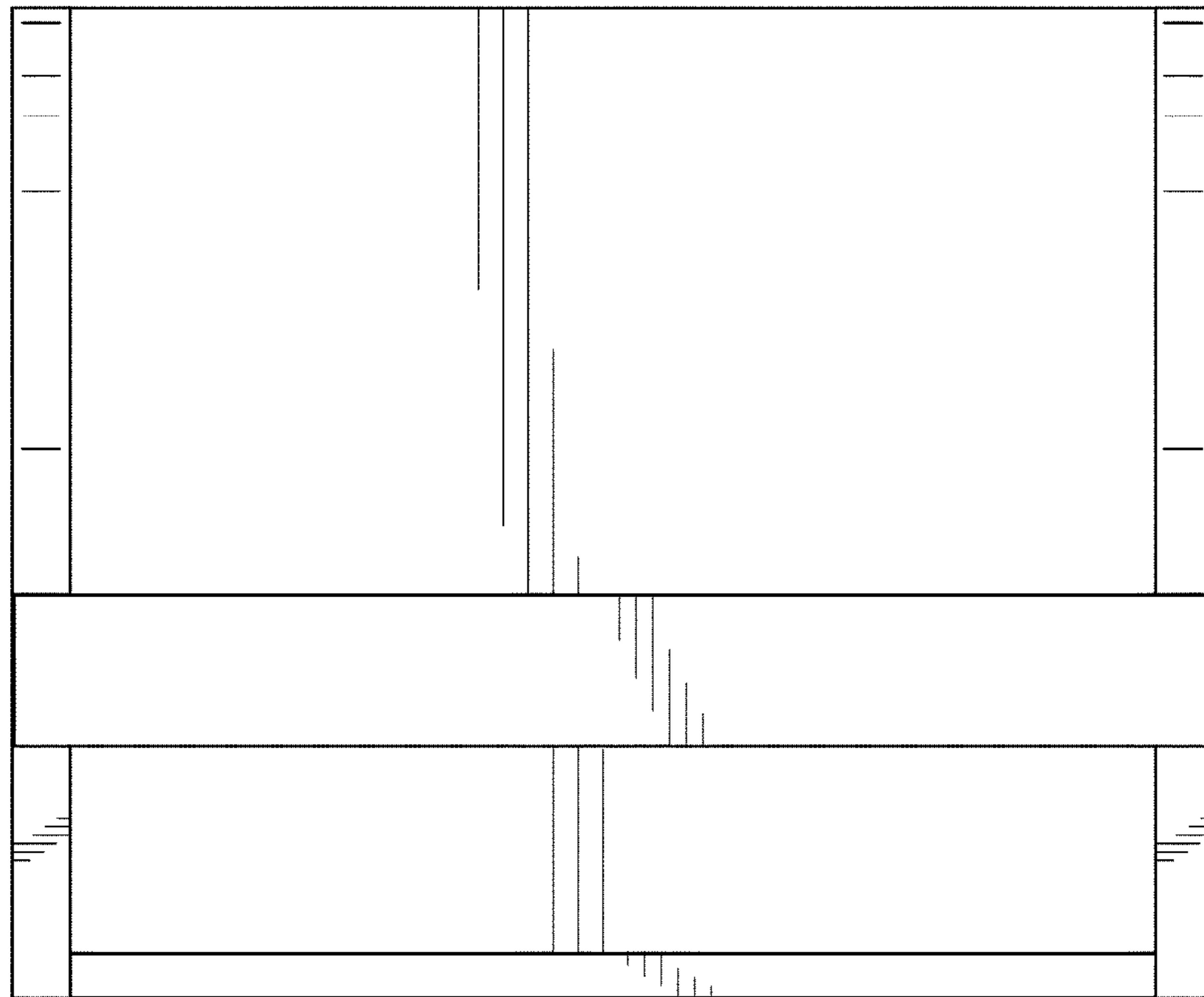


Fig. 2

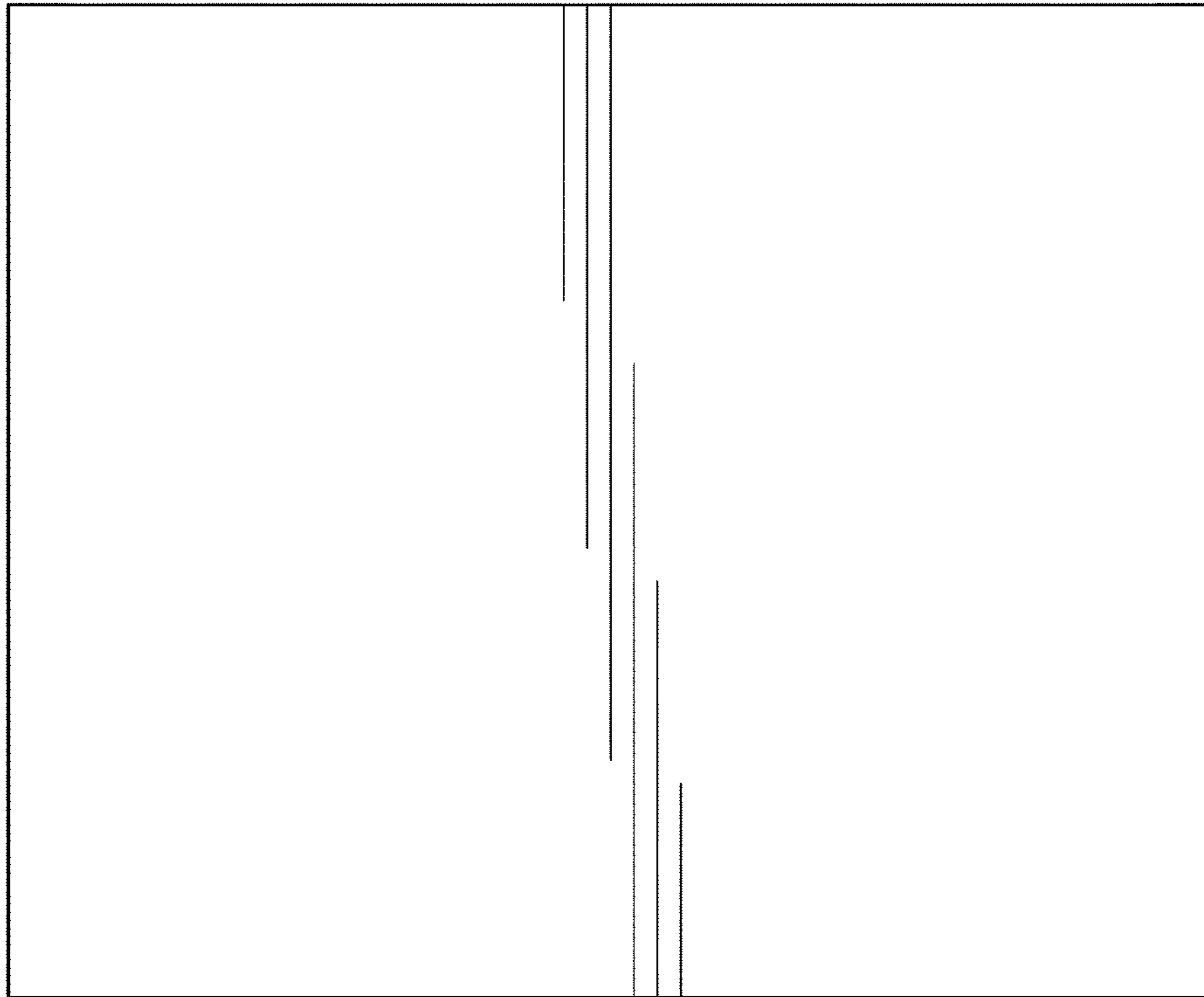


Fig. 3

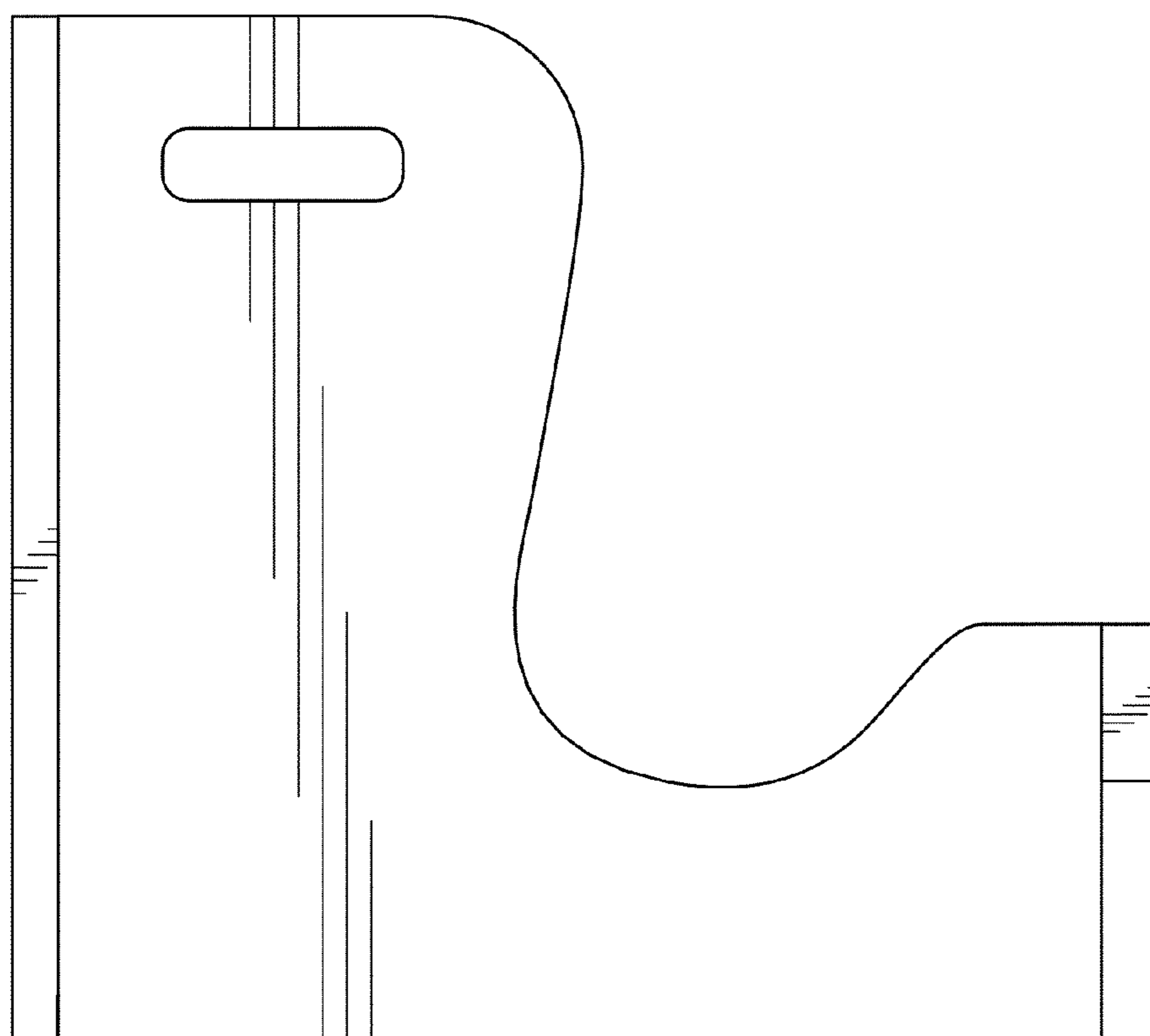


Fig. 4

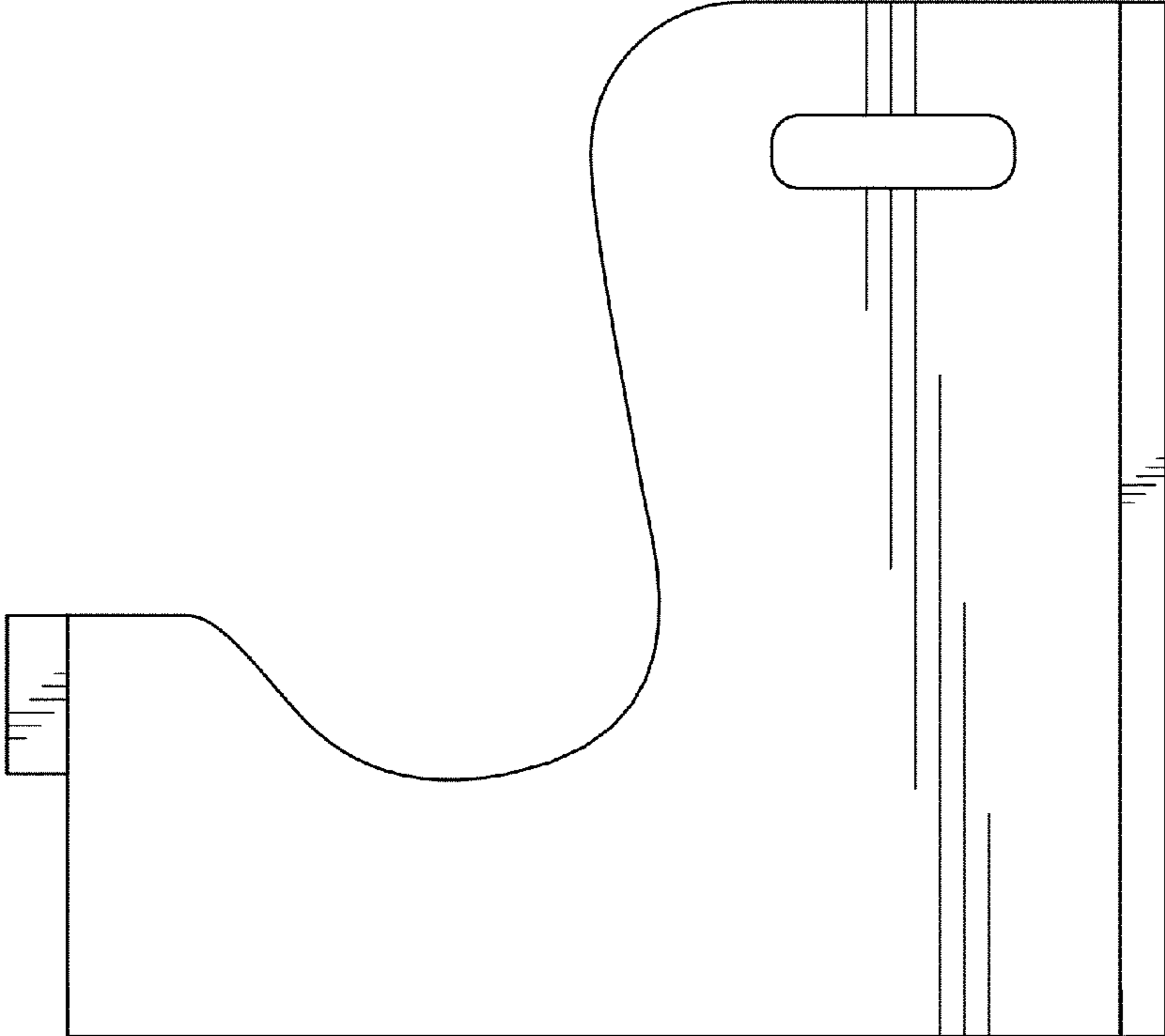


Fig. 5

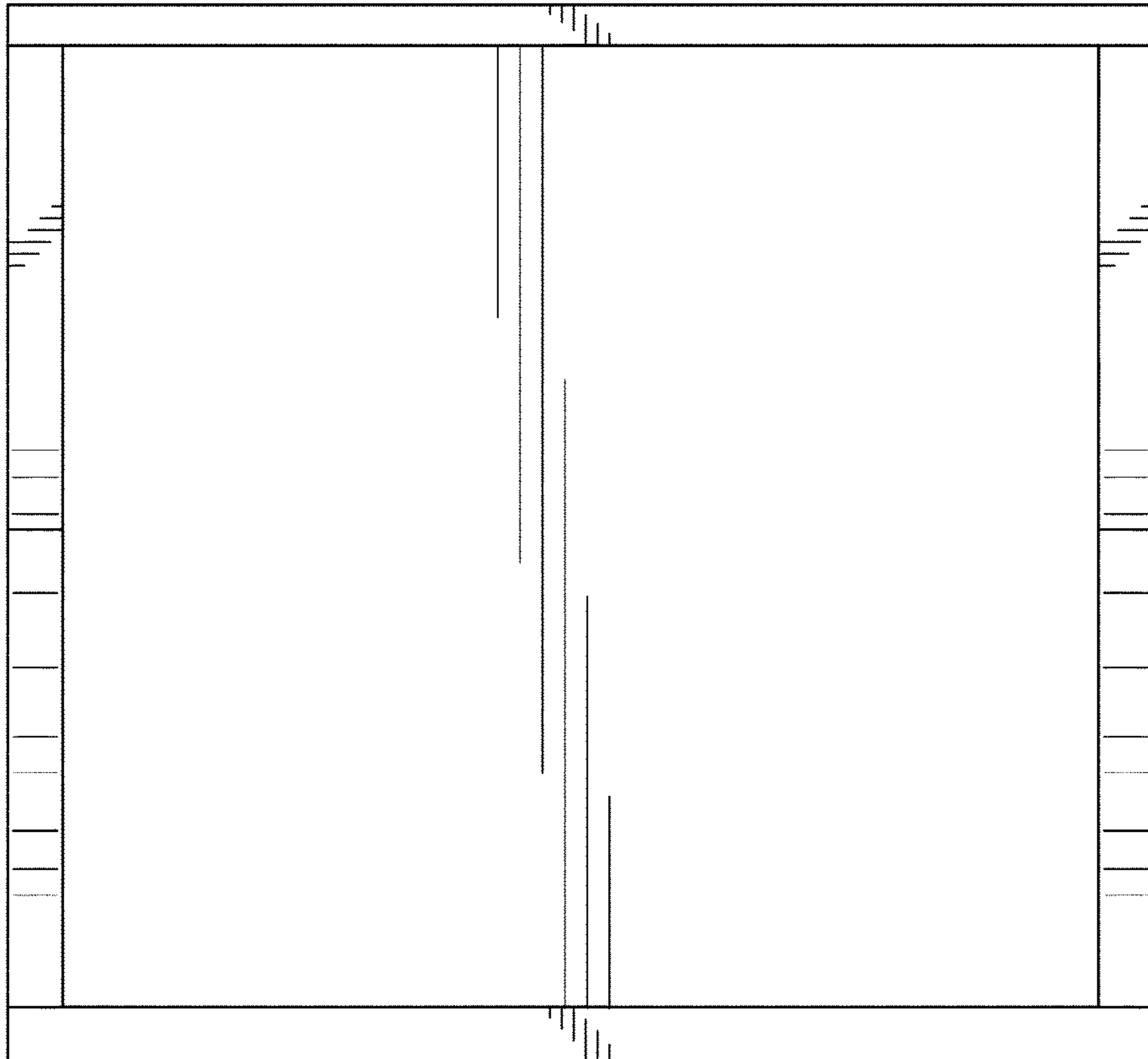


Fig. 6

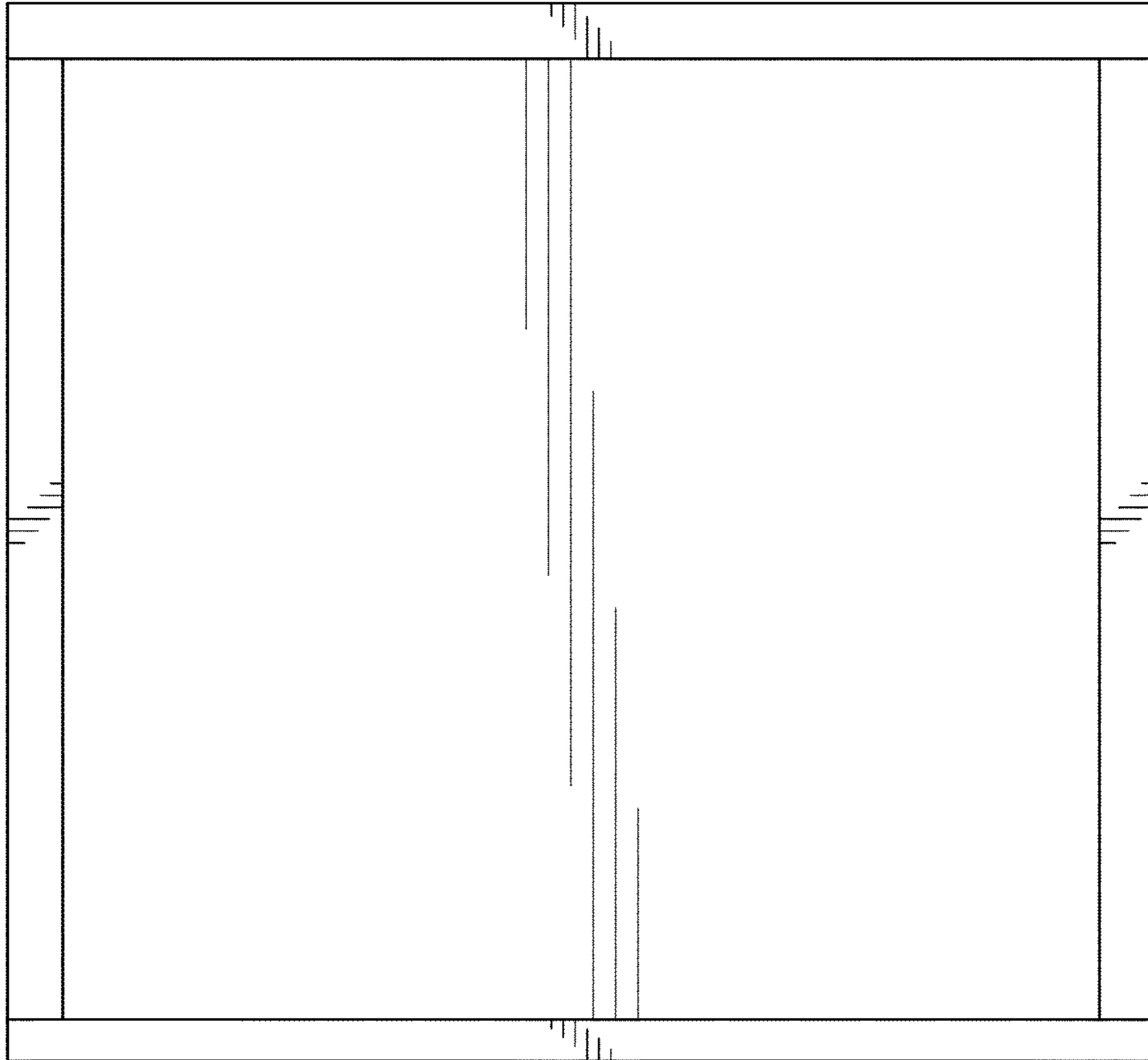


Fig. 7