



US00D689716S

(12) **United States Design Patent**  
**Chase**

(10) **Patent No.:** **US D689,716 S**

(45) **Date of Patent:** **\*\* Sep. 17, 2013**

(54) **SUPPORT STAND**

D478,460 S 8/2003 Chiu  
D480,581 S \* 10/2003 Searer ..... D6/455  
D489,930 S 5/2004 Tse

(Continued)

(71) Applicant: **Target Brands, Inc.**, Minneapolis, MN  
(US)

**OTHER PUBLICATIONS**

(72) Inventor: **Mark Robert Chase**, Minneapolis, MN  
(US)

“Ceramic Lime Drink Dispenser and Stand Set”, printed from www.tag2u.com/ceramic-lime-drink-dispenser-and-stand-set/550598ms/product available at least as early as Nov. 27, 2011 per http://web.archive.org (2 pages).

(Continued)

(73) Assignee: **Target Brands, Inc.**, Minneapolis, MN  
(US)

(\*\*) Term: **14 Years**

*Primary Examiner* — Kelley Donnelly

(21) Appl. No.: **29/454,228**

(74) *Attorney, Agent, or Firm* — Griffiths & Seaton PLLC;  
JoAnn M. Seaton

(22) Filed: **May 8, 2013**

(57) **CLAIM**

The ornamental design for a support stand, as shown and described.

(51) **LOC (9) Cl.** ..... **06-06**

**DESCRIPTION**

(52) **U.S. Cl.**

USPC ..... **D6/677.2**

(58) **Field of Classification Search**

USPC ..... D6/396, 408, 449, 450, 454–469,  
D6/478, 677–677.1, 677.2; 211/44, 50–53,  
211/59.2, 59.3, 70, 70.1, 163, 181.1, 207;  
D7/501, 553.6, 600.1–600.4; 108/94, 96

See application file for complete search history.

FIG. 1 is a front perspective view of a support stand showing our new design;

FIG. 2 is a front view thereof;

FIG. 3 is a rear view thereof;

FIG. 4 is a right side view thereof;

FIG. 5 is a left side view thereof;

FIG. 6 is a top view thereof; and

FIG. 7 is a bottom view thereof.

FIG. 8 is a front, perspective view of the support stand of FIG. 1 with additional environmental subject matter shown in broken lines;

FIG. 9 is a front view thereof;

FIG. 10 is a rear view thereof;

FIG. 11 is a right side view thereof;

FIG. 12 is a left side view thereof;

FIG. 13 is a top view thereof; and,

FIG. 14 is a bottom view thereof.

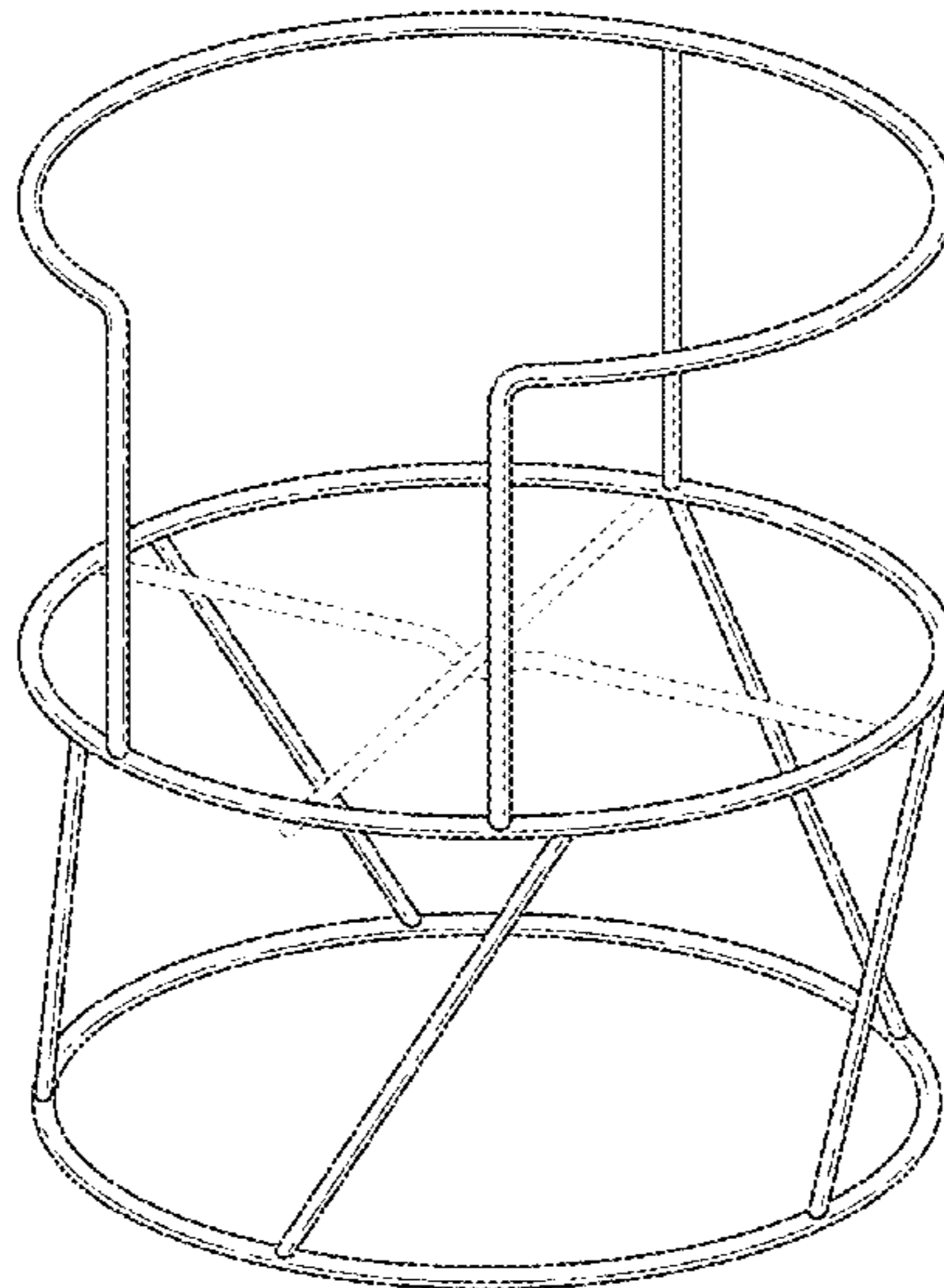
The features shown in broken lines are portions of the support stand or environmental subject matter to the support stand forming no part of the claimed design.

(56) **References Cited**

**U.S. PATENT DOCUMENTS**

111,012	A *	1/1871	Sweatt et al.	.....	211/41.2
D68,718	S *	11/1925	Keller	.....	D6/450
1,779,867	A	10/1930	Ahrold		
D206,921	S *	2/1967	Burchett	.....	D6/462
D222,567	S *	11/1971	Cohen	.....	D6/414
D230,108	S *	1/1974	Sloan	.....	D6/458
4,060,214	A *	11/1977	Metcalf	.....	248/165
D275,807	S	10/1984	Peterson		
5,813,321	A	9/1998	Bourgeois		
6,502,707	B1 *	1/2003	Sullivan	.....	211/163
D474,072	S	5/2003	Tseng		

**1 Claim, 14 Drawing Sheets**



(56)

**References Cited**

U.S. PATENT DOCUMENTS

D491,408 S	6/2004	Clark et al.	
D496,221 S	9/2004	Hester	
D568,690 S *	5/2008	Brothers	D7/601
D571,615 S	6/2008	Talbot	
D599,159 S	9/2009	Stein	
D637,039 S	5/2011	Schreiber-Pethan et al.	
D656,758 S *	4/2012	Snider	D6/458
D661,162 S *	6/2012	Hertaus	D7/600.4
D669,635 S *	10/2012	Goodman et al.	D28/73
D677,531 S *	3/2013	Berzak	D7/631
D677,939 S *	3/2013	Correa et al.	D6/680.3

OTHER PUBLICATIONS

“Clear Cold Beverage Jar and Stand”, printed from <http://reviews.crateandbarrel.com/7258/37145/clear-cold-beverage-jar-and-stand-reviews/reviews.htm>; publicly available at least as early as Jun. 7, 2010 (5 pages).  
 “Round Ribbed Glass Beverage Dispenser on Metal Stand”, printed from [www.classichostess.com/roundribbedglassbeveragedispenseronmetalstand.aspx?gdftrk=gdfV21229\\_a\\_7c459\\_a\\_7c2284\\_a\\_7c10278](http://www.classichostess.com/roundribbedglassbeveragedispenseronmetalstand.aspx?gdftrk=gdfV21229_a_7c459_a_7c2284_a_7c10278) on Feb. 13, 2013 (3 pages).  
 “Gorgeous Glass Beverage Dispenser with Brass Tap”, printed from [www.getprice.com.au/Gorgeous-glass-Beverage-dispenser-with-brass-tap-Gpnc\\_251-55965573.htm](http://www.getprice.com.au/Gorgeous-glass-Beverage-dispenser-with-brass-tap-Gpnc_251-55965573.htm) on Feb. 13, 2013 (3 pages).

“Gourment Display® Black 3 Gal 1-Cylinder Juice/Beverage Dispenser”, printed from [www.wasserstrom.com/restaurant-supplies-equipment/Product . . . %7D&kwid=productads-sku%5E264837-adtype%5EPLA-adid%5E12625416164](http://www.wasserstrom.com/restaurant-supplies-equipment/Product...%7D&kwid=productads-sku%5E264837-adtype%5EPLA-adid%5E12625416164) on Feb. 13, 2013 (2 pages).  
 “Iced Tea Equipment”, printed from <http://prima-restaurant-equipment.com/bar-and-beverage-equipment/iced-tea-equipment> on Feb. 13, 2013 (4 pages).  
 “Italian Fusti Dispenser”, printed from [www.dwell.com/furniture-and-products/italian-fusti-dispenser](http://www.dwell.com/furniture-and-products/italian-fusti-dispenser) on Feb. 13, 2013 (7 pages).  
 “Pinterest/Search Results for Beverage Dispensers on Stands”, printed from <http://pinterest.com/search/pins/?q=beverage+dispensers+on+stands>; publicly offered for sale by Target.com at least as early as Feb. 2012 (4 pages).  
 “Sipping Style”, printed from [www.giftsanddec.com/article/540113-Sipping\\_Style.php](http://www.giftsanddec.com/article/540113-Sipping_Style.php) posted Jun. 20, 2011 (2 pages).  
 “Verona Grande Infusion Jar—5 Gallon—Clear Glass”, printed from [www.amazon.com/dp/B000EC84SO/ref=asc\\_df\\_B000EC84SO23877...m00373-20&creative=394997&creativeASIN=B000EC84SO&linkCode=asn](http://www.amazon.com/dp/B000EC84SO/ref=asc_df_B000EC84SO23877...m00373-20&creative=394997&creativeASIN=B000EC84SO&linkCode=asn); publicly available at least as early as May 15, 2011 (4 pages).  
 “Glass Cylinder Beverage Dispenser on Rack”, printed from [www.classichostess.com/glasscylinderbeveragedispenseronrac...V21229\\_a\\_7c459\\_a\\_7c4893\\_a\\_7c9905&gclid=CLvN7dLWs7UCFal-MgodshYAFg](http://www.classichostess.com/glasscylinderbeveragedispenseronrac...V21229_a_7c459_a_7c4893_a_7c9905&gclid=CLvN7dLWs7UCFal-MgodshYAFg) publicly available at least as early as May 30, 2012 (3 pages).

\* cited by examiner

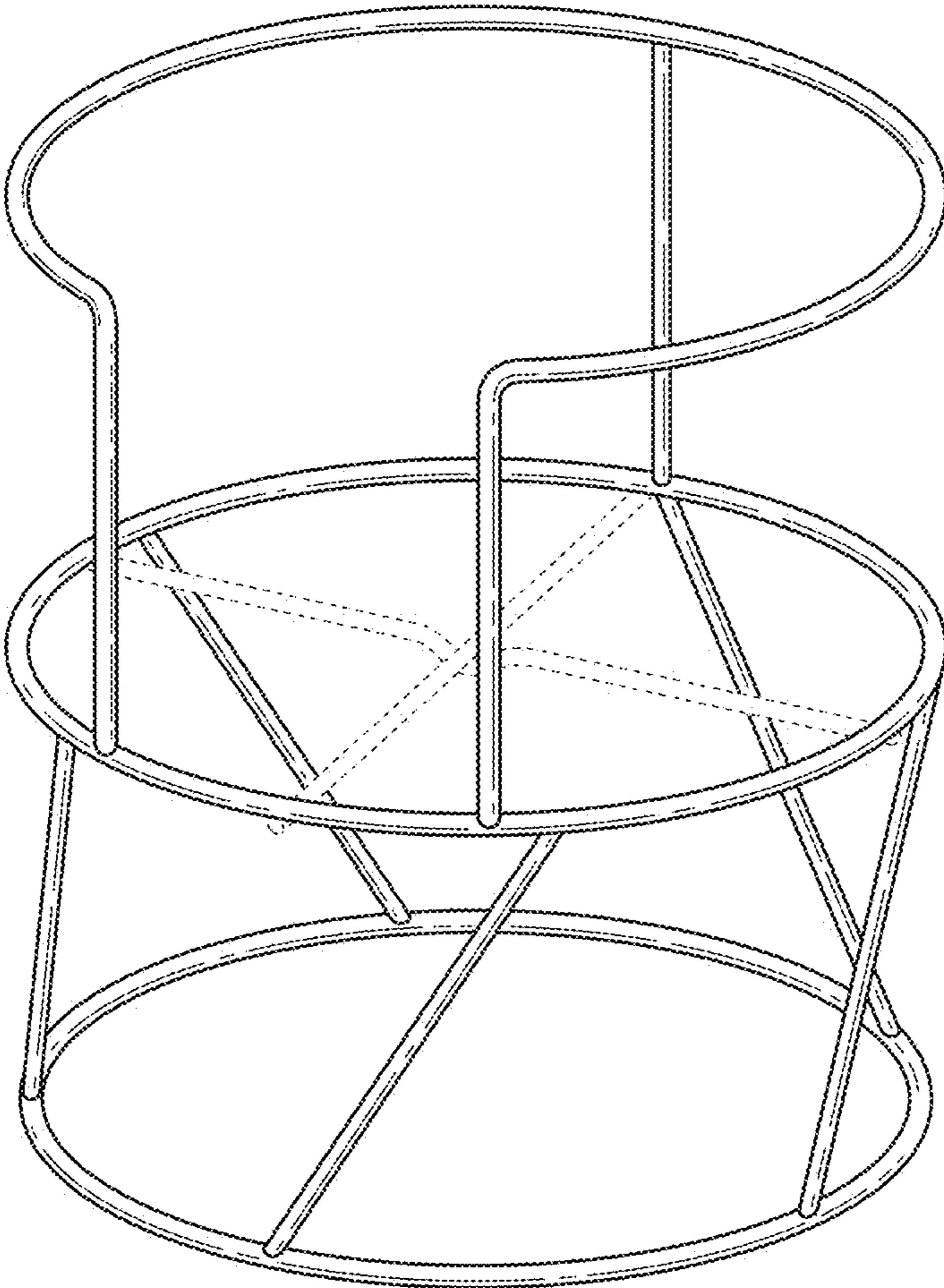


FIG. 1

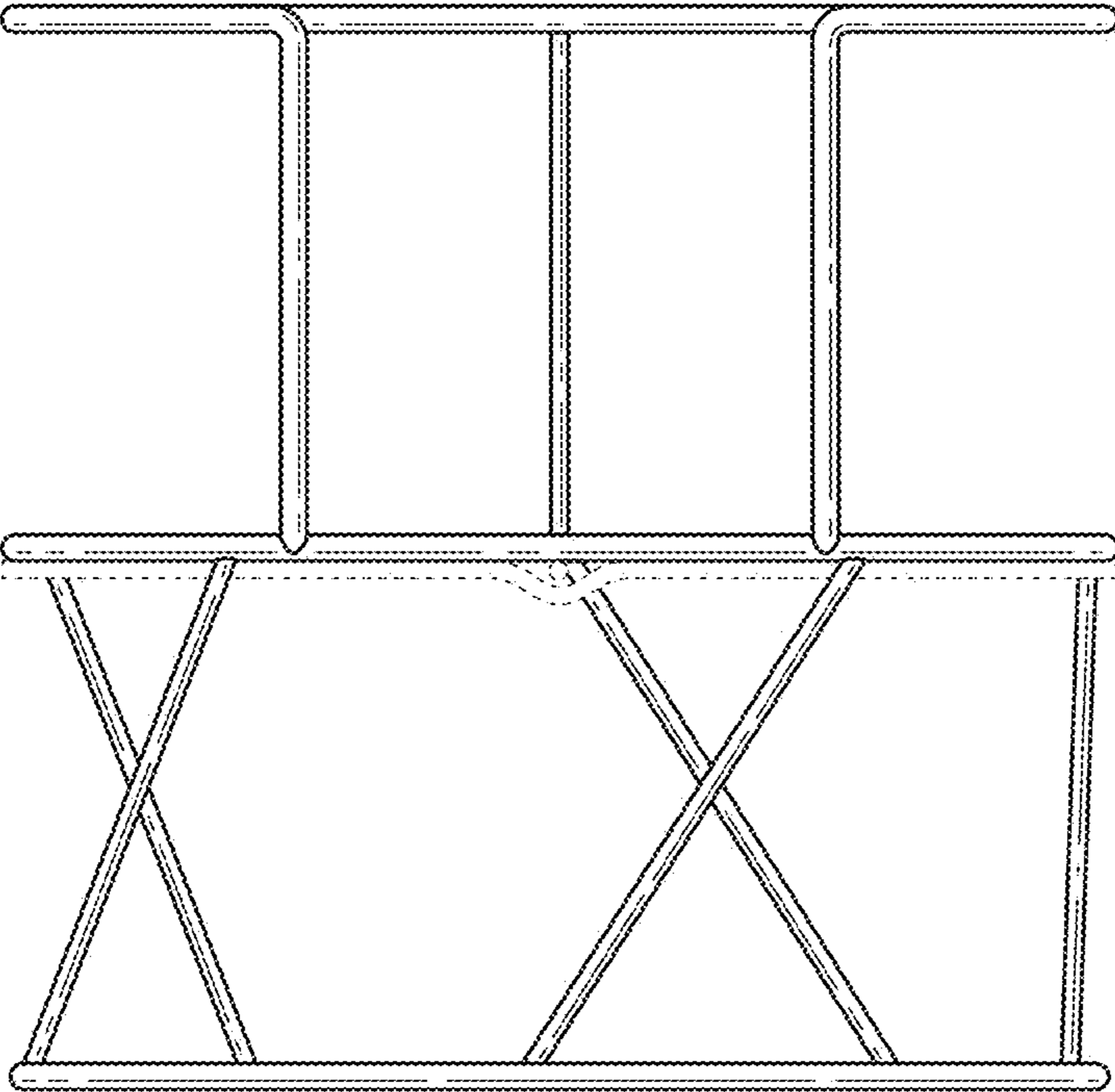


FIG. 2

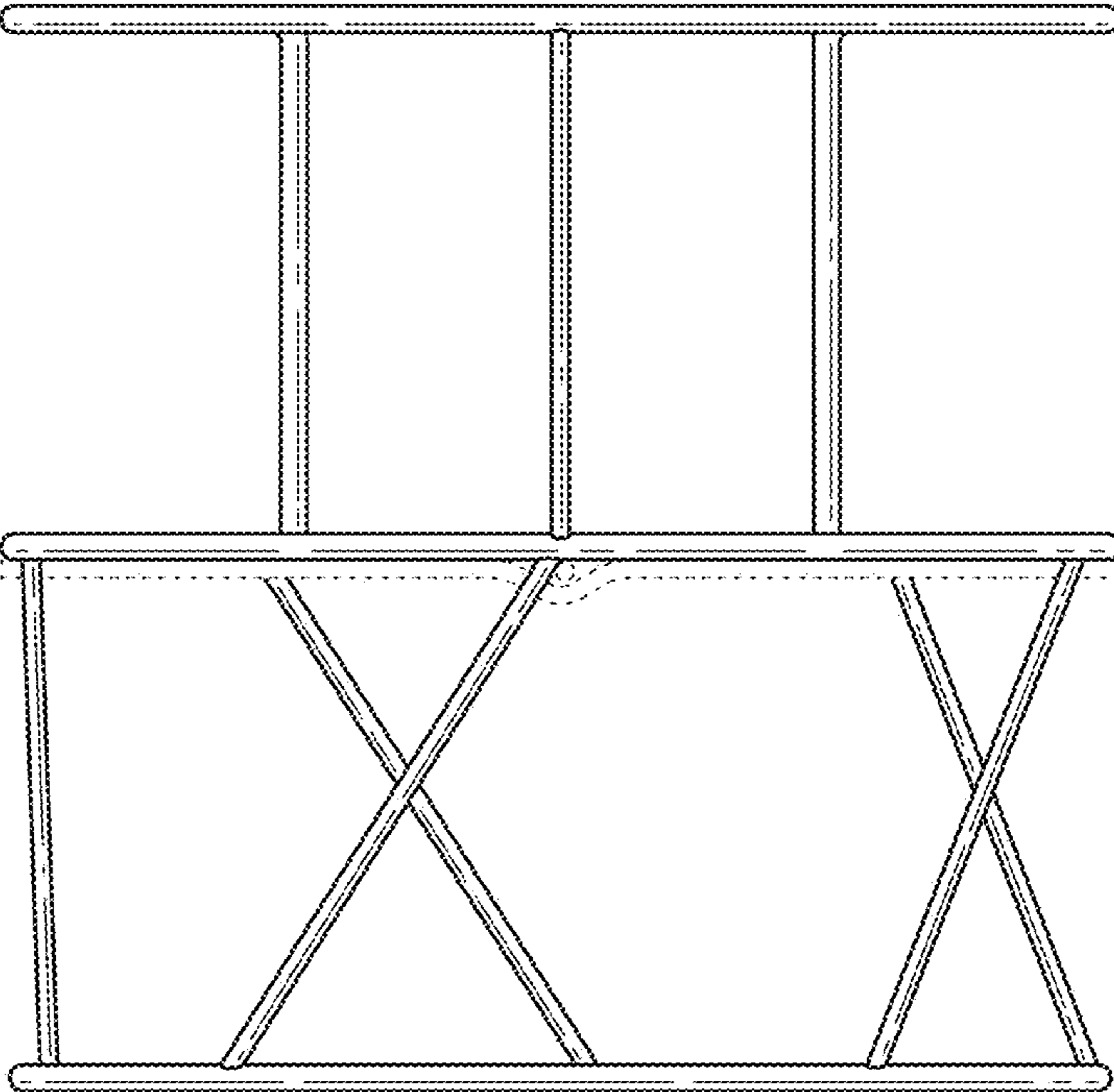


FIG. 3

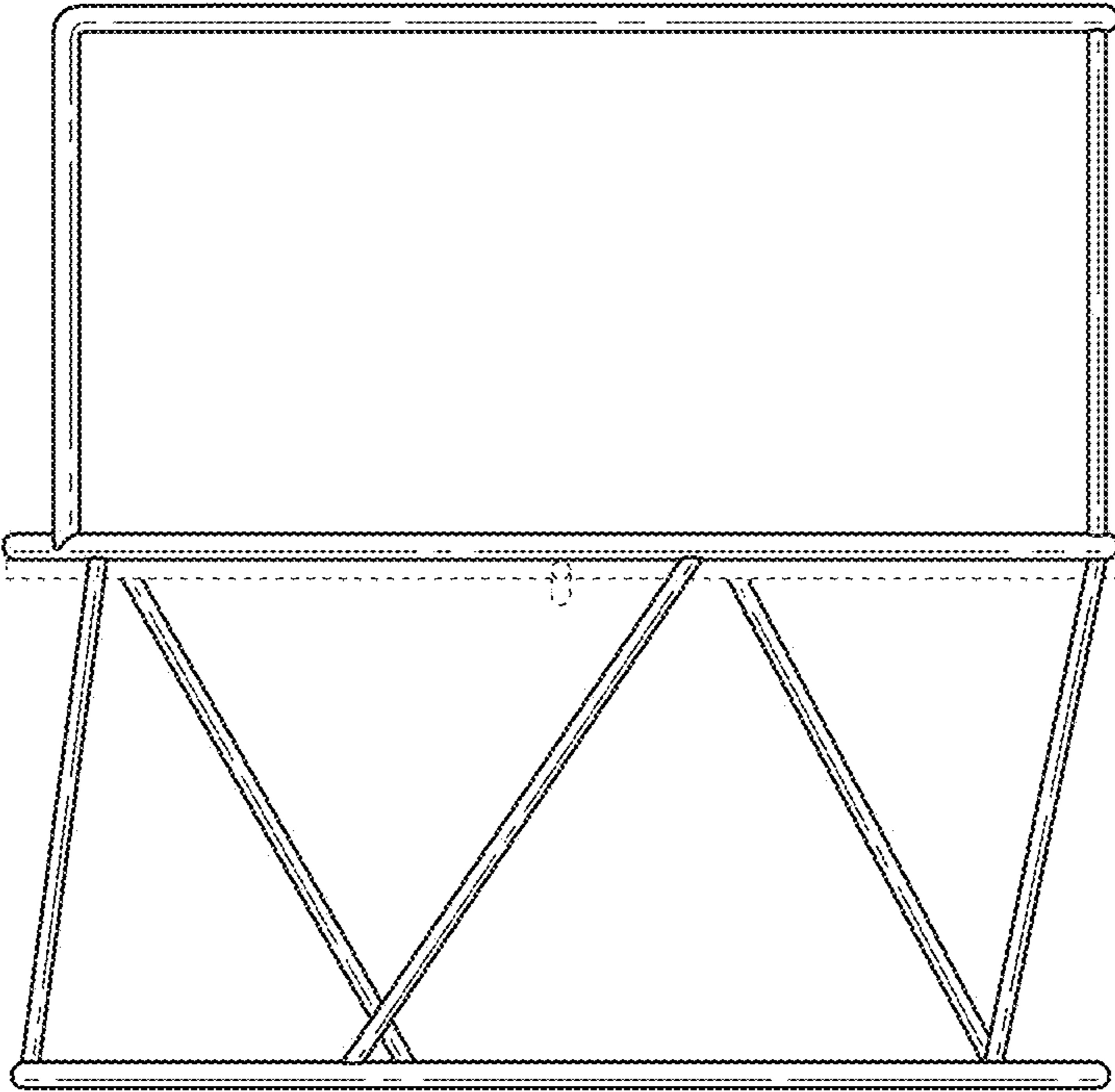


FIG. 4

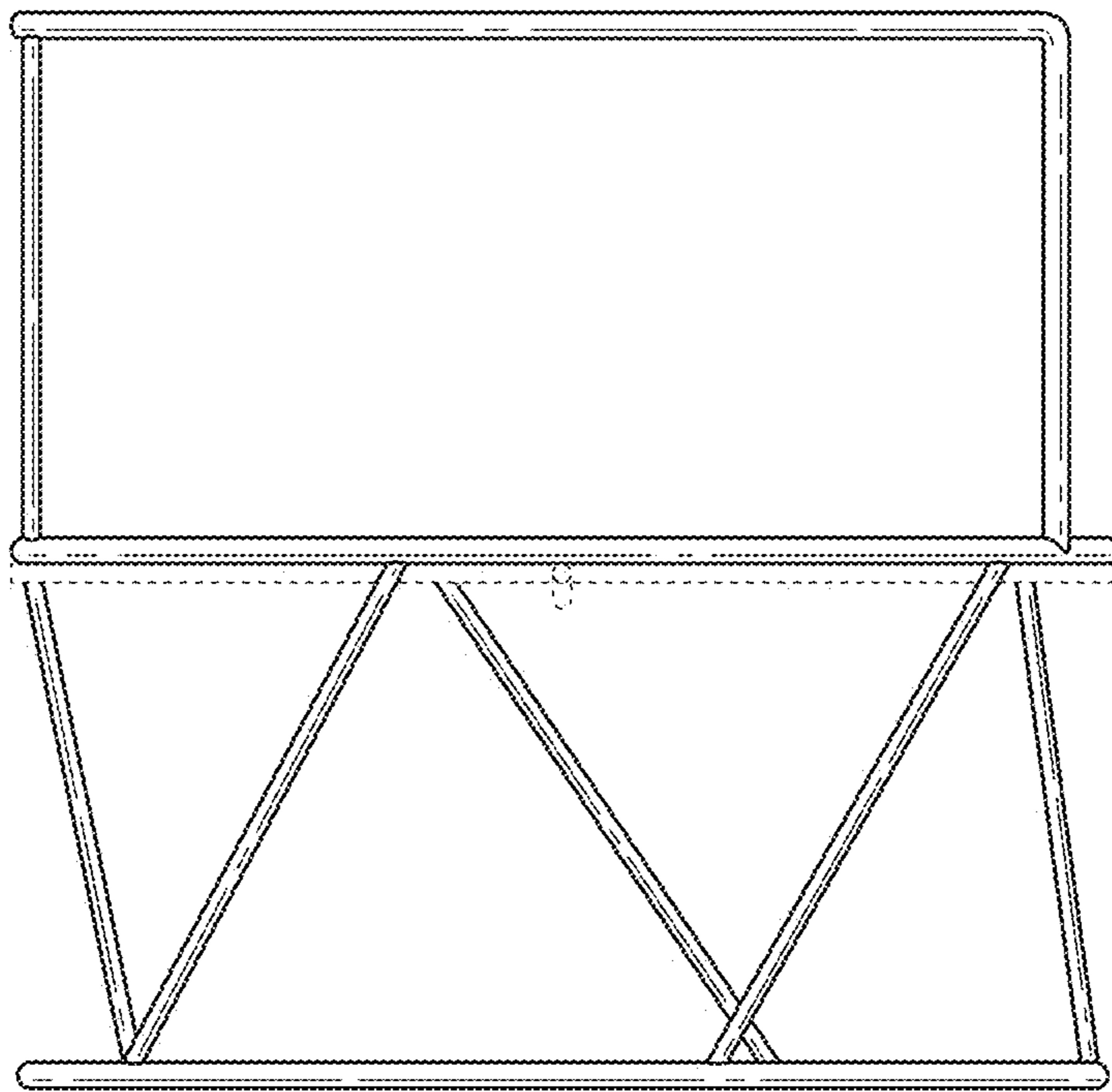


FIG. 5

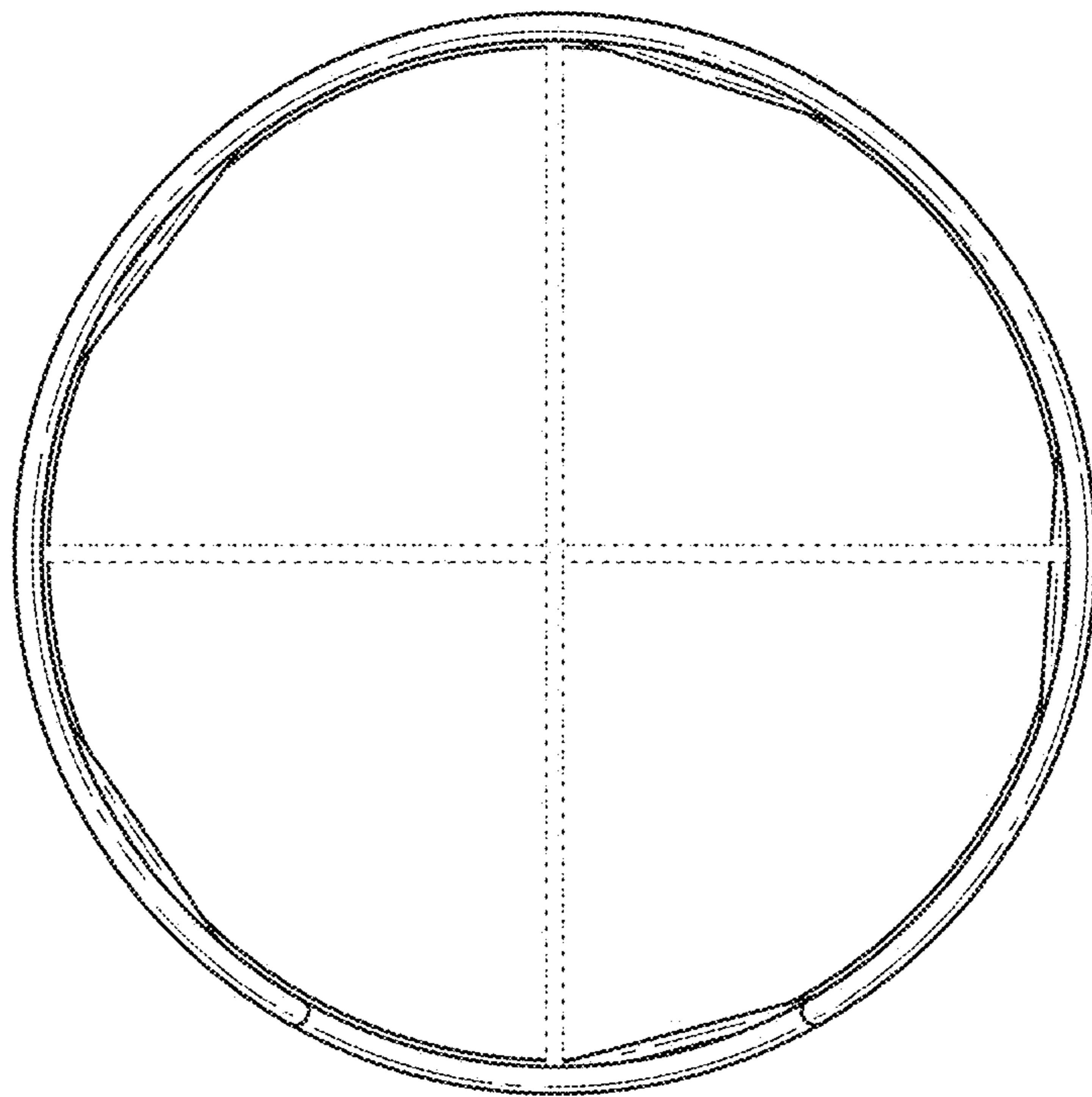
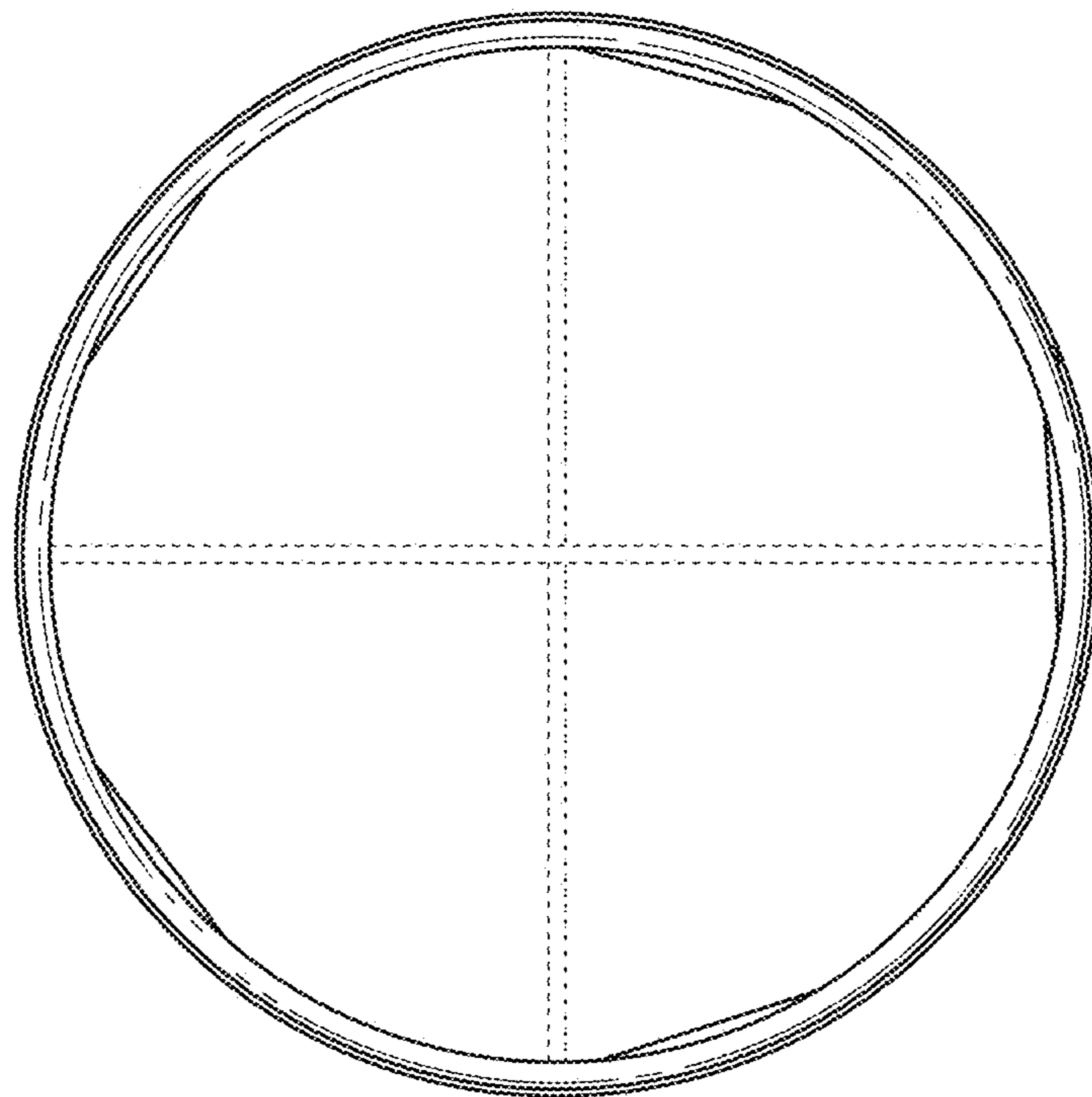


FIG. 6





**FIG. 7**

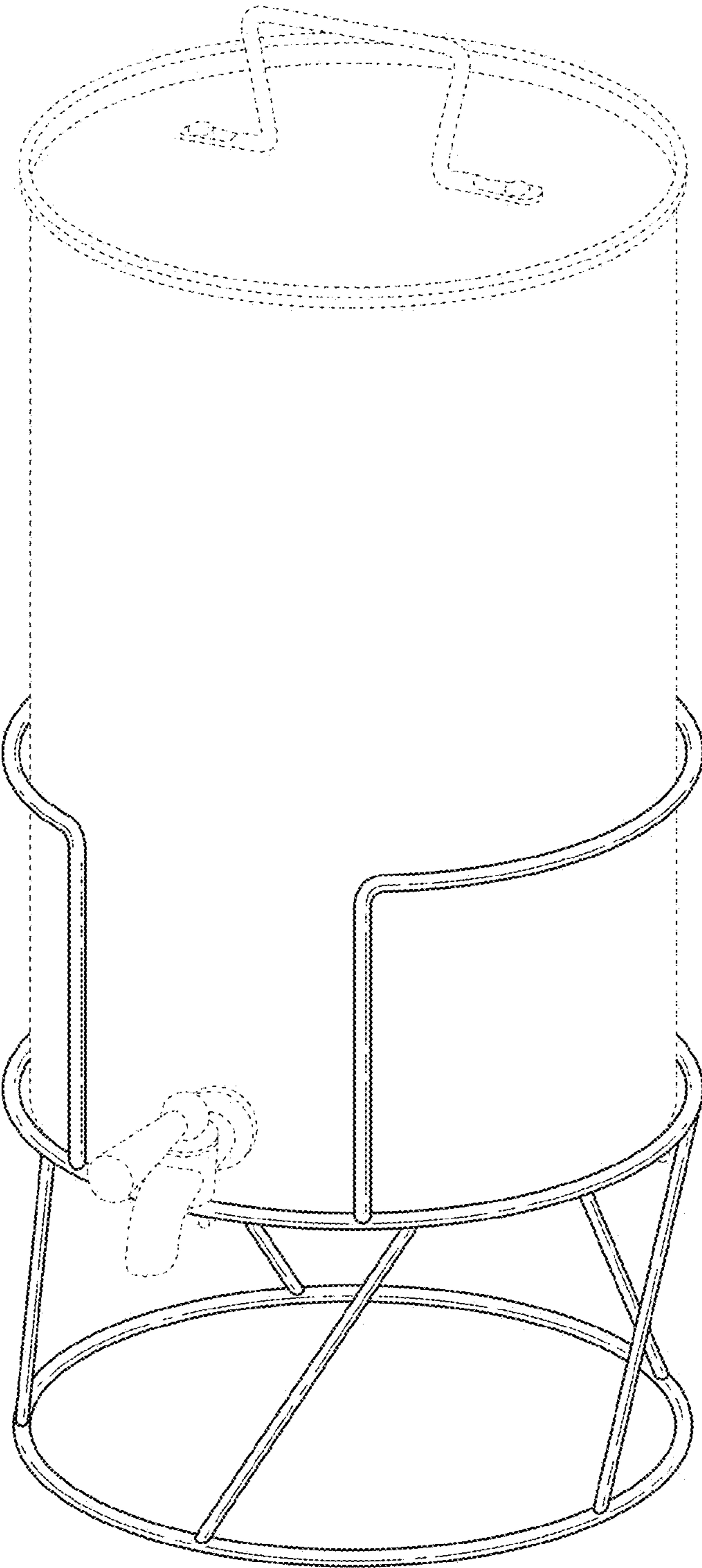


FIG. 8

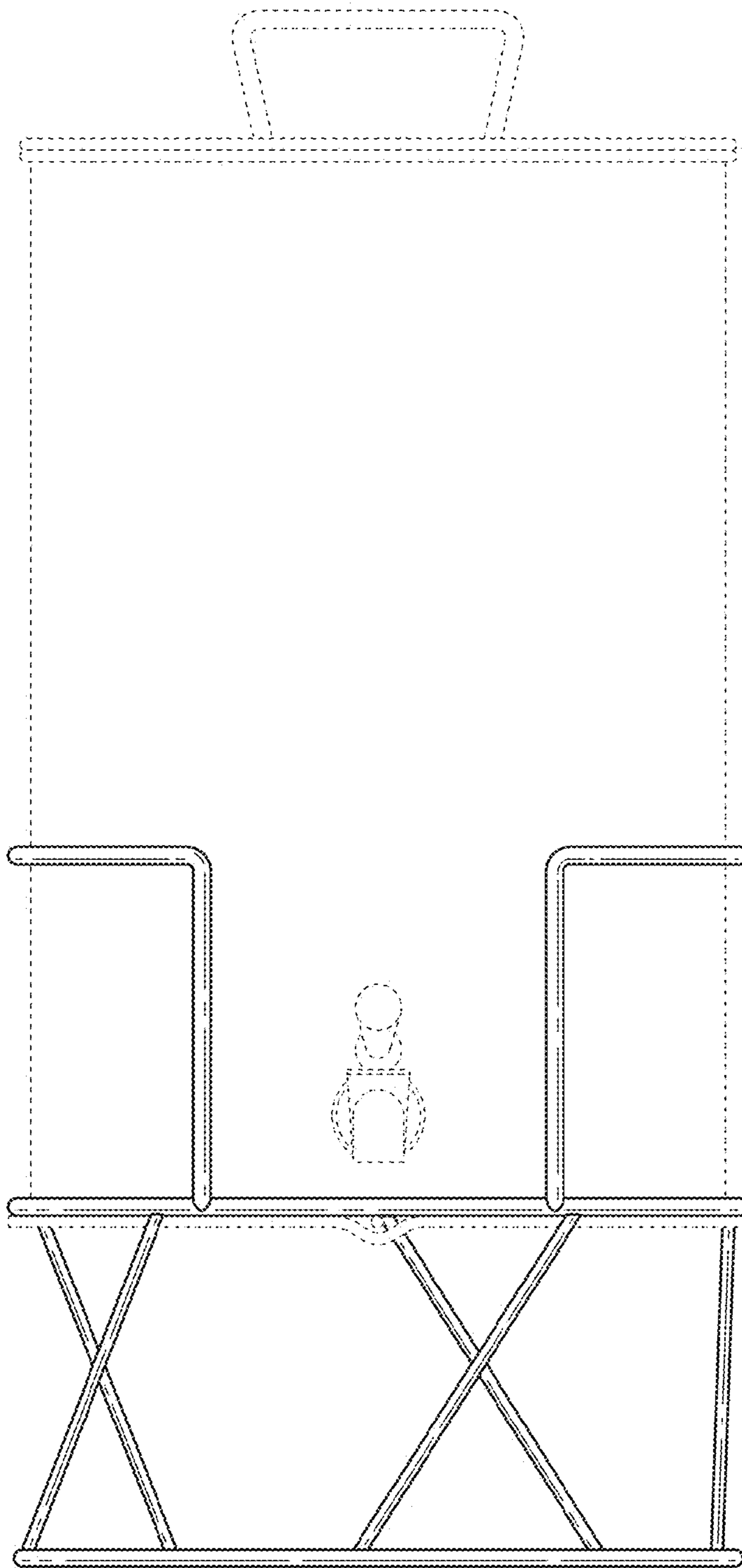


FIG. 9

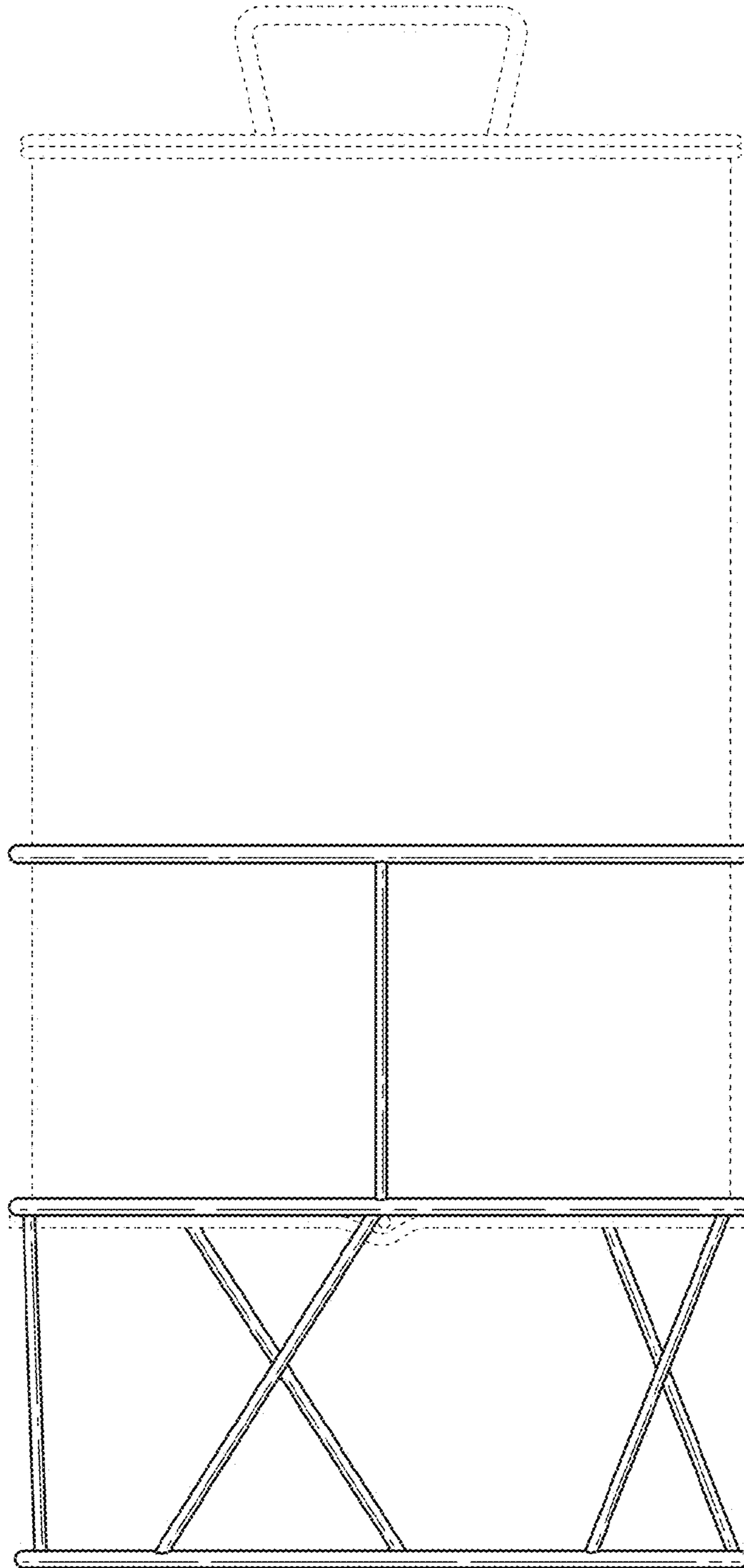


FIG. 10

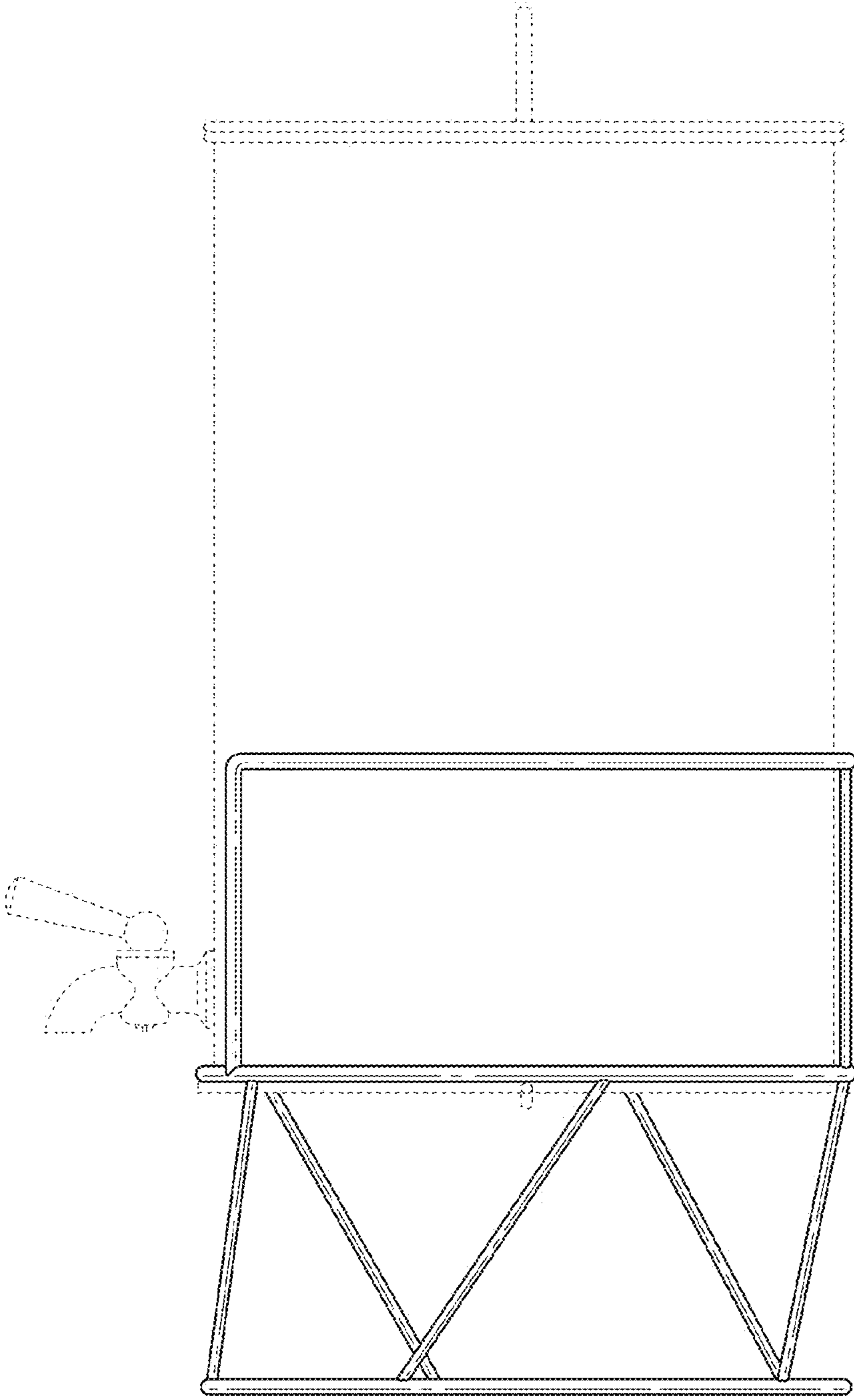


FIG. 11

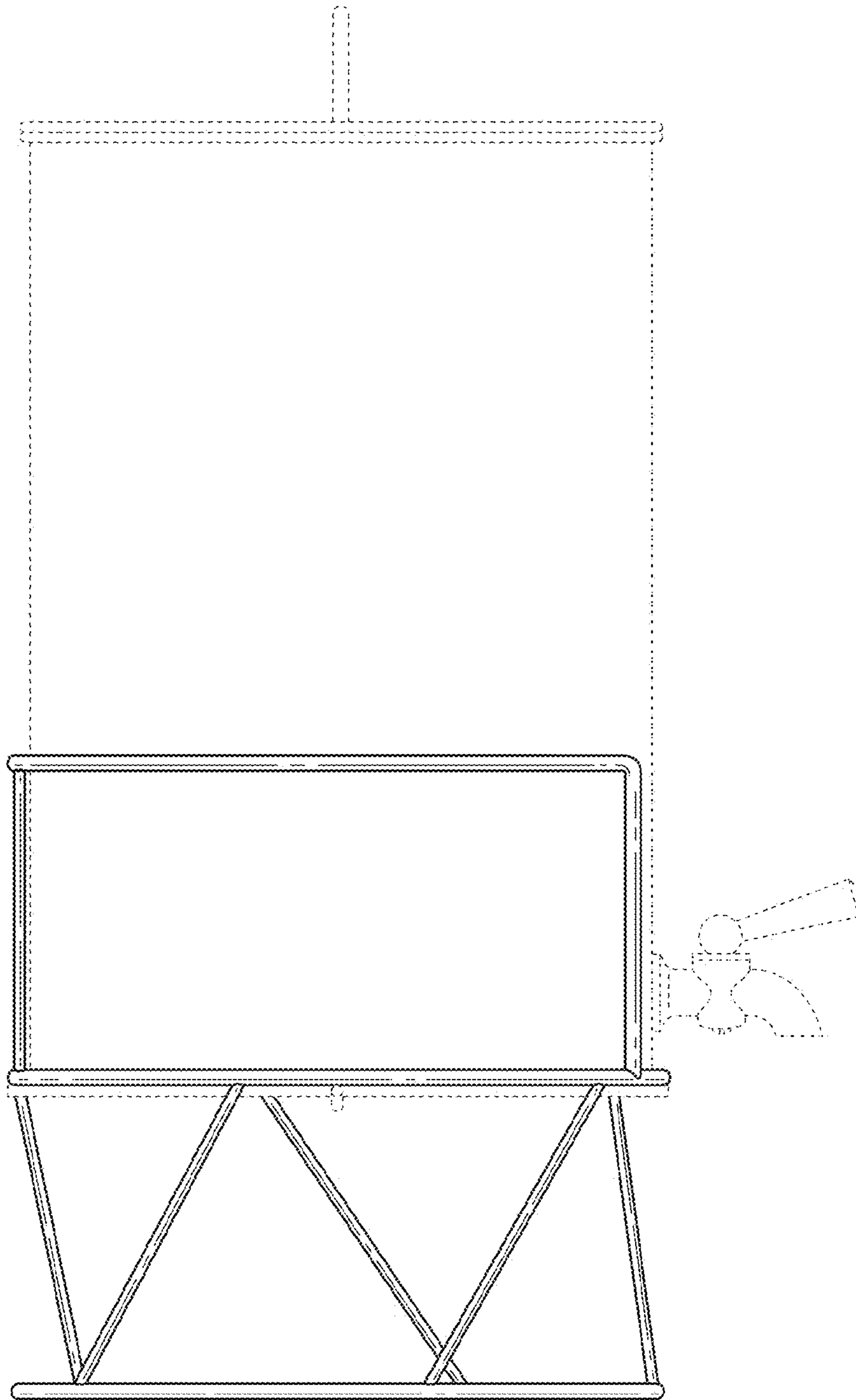


FIG. 12

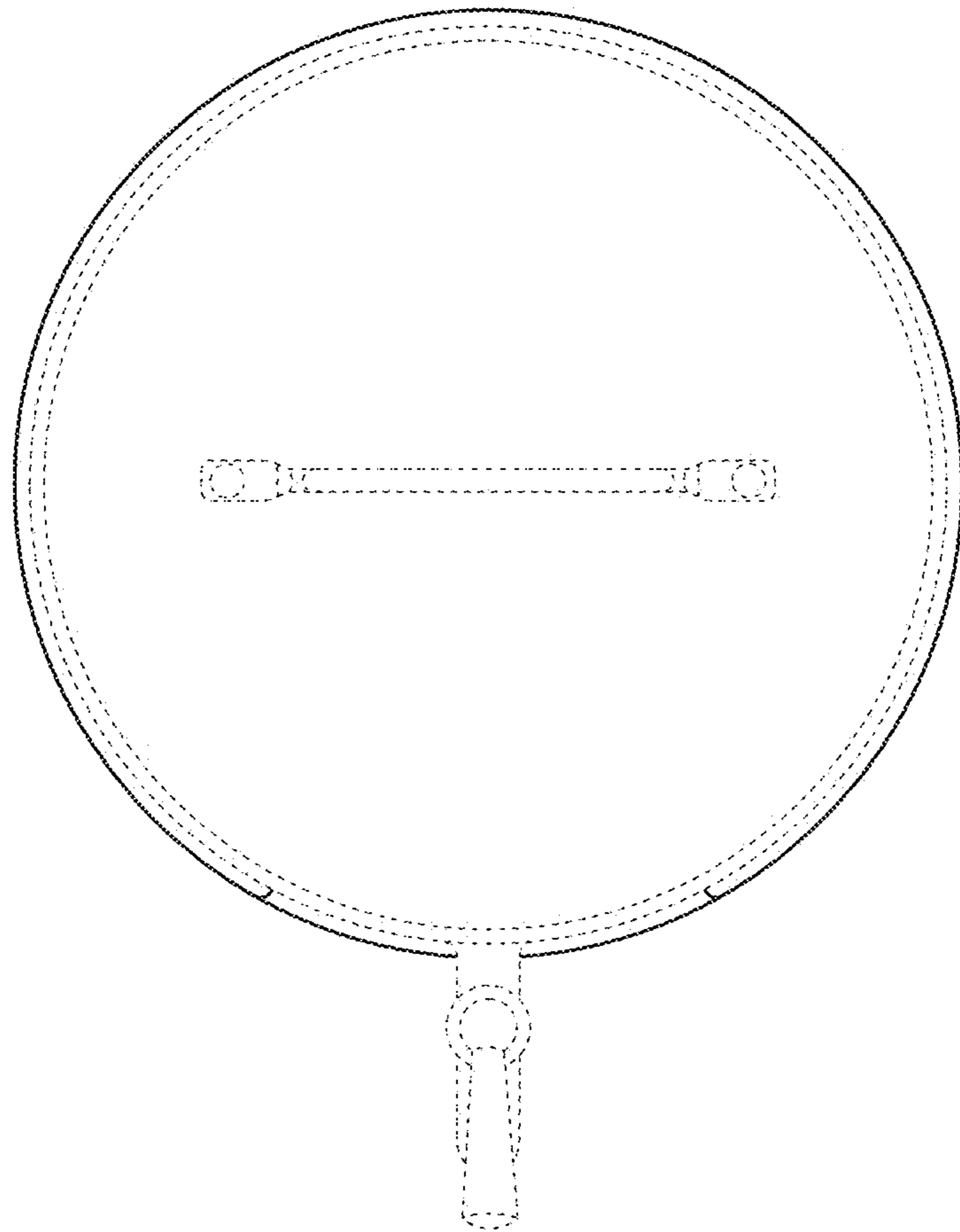


FIG. 13

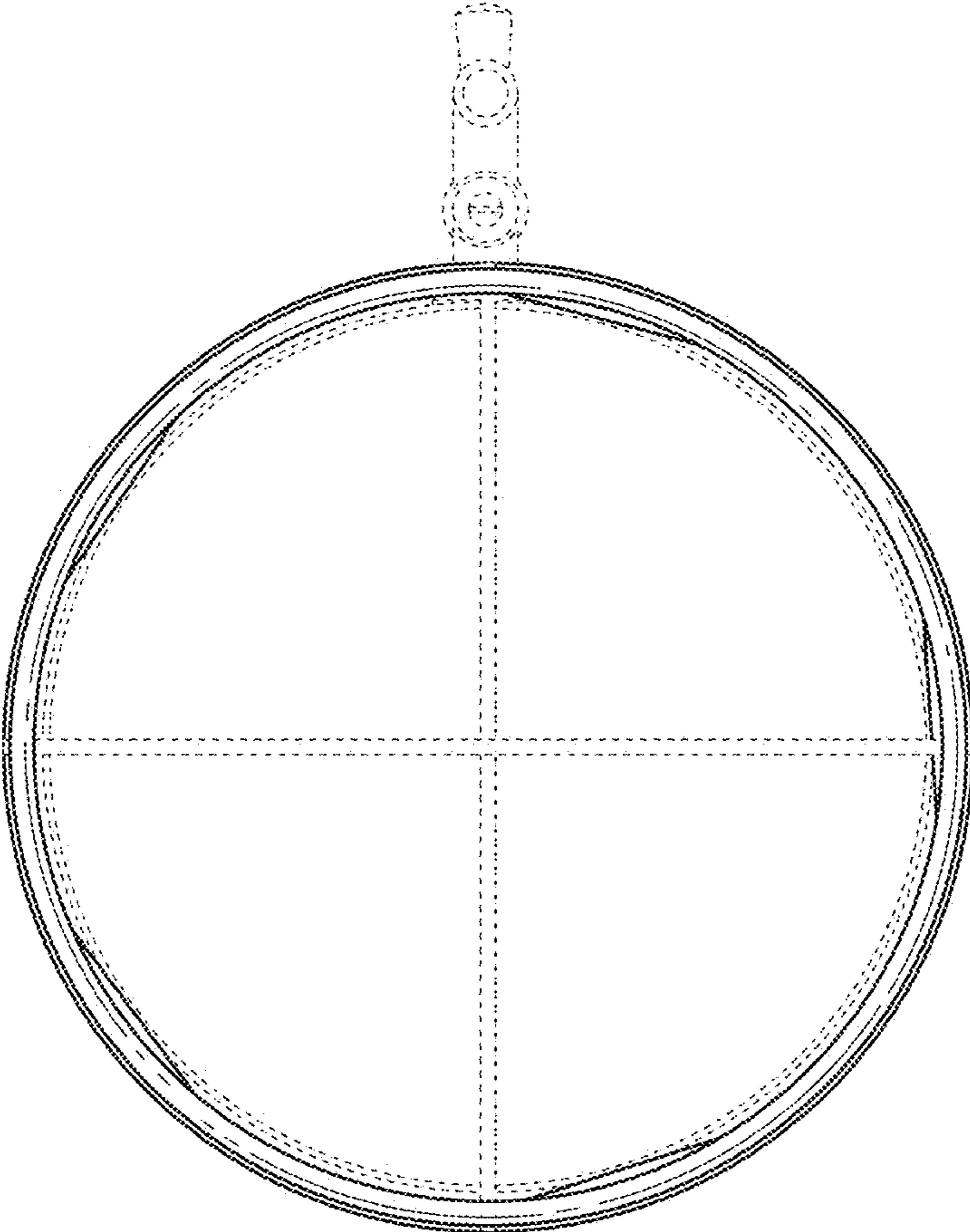


FIG. 14