



US00D689715S

(12) **United States Design Patent**  
**Wong**

(10) **Patent No.:** **US D689,715 S**  
(45) **Date of Patent:** **\*\* Sep. 17, 2013**

- (54) **DISPLAY TOWER**
- (71) Applicant: **Navajo Manufacturing Company, Inc.,**  
Denver, CO (US)
- (72) Inventor: **Hoi Kwan Wong,** Thornton, CO (US)
- (73) Assignee: **Navajo Manufacturing Company, Inc.,**  
Denver, CO (US)
- (\*\*) Term: **14 Years**
- (21) Appl. No.: **29/444,044**
- (22) Filed: **Jan. 25, 2013**
- (51) **LOC (9) Cl.** ..... **06-06**
- (52) **U.S. Cl.**  
USPC ..... **D6/675.1**
- (58) **Field of Classification Search**  
USPC ..... D6/396-397, 407, 449-450, 455-461,  
D6/466-468, 672-673, 675-675.1; 211/13,  
211/163, 40-42; 312/107, 111  
See application file for complete search history.

- D401,083 S 11/1998 Woodward
- D401,084 S \* 11/1998 Martin ..... D6/474
- D403,180 S \* 12/1998 Gelman ..... D6/478
- 5,861,941 A 1/1999 Liebers et al.
- 6,041,948 A 3/2000 Filipak et al.
- D435,182 S 12/2000 Mason
- D436,265 S 1/2001 Kidd et al.
- D445,273 S 7/2001 Brown et al.
- 6,257,724 B1 7/2001 Liebers
- 6,302,369 B1 10/2001 Liebers et al.
- 6,443,317 B1 9/2002 Brozak, Jr.
- D500,417 S 1/2005 Levin et al.
- D500,418 S 1/2005 Levin et al.
- 7,134,559 B2 11/2006 Zoueki
- D534,015 S 12/2006 Bretz et al.
- D534,372 S 1/2007 Babbino et al.
- D541,557 S \* 5/2007 Weatherly ..... D6/474
- D554,392 S 11/2007 Lane
- D554,901 S 11/2007 Bretz et al.
- D555,395 S 11/2007 Babbino et al.
- D564,793 S 3/2008 Shea
- D572,041 S 7/2008 Woolnough et al.
- D573,809 S 7/2008 Levy et al.

(Continued)

Primary Examiner — Kelly Donnelly

(74) Attorney, Agent, or Firm — Jacobson Holman PLLC

(56) **References Cited**

U.S. PATENT DOCUMENTS

- D174,172 S 3/1955 Foster
- 2,808,941 A 10/1957 Foster
- 3,891,092 A 6/1975 Surrette et al.
- 4,211,331 A 7/1980 Salmon et al.
- D261,711 S 11/1981 Mulvihill
- D262,754 S 1/1982 Merl
- 4,558,788 A 12/1985 Grothaus
- D294,207 S 2/1988 Noyes et al.
- D314,292 S 2/1991 Nyman
- D350,659 S \* 9/1994 Di Tomasso ..... D6/479
- D369,038 S 4/1996 Lechleiter et al.
- D382,420 S 8/1997 Woodward
- D382,421 S 8/1997 Burchett
- D385,130 S 10/1997 Woodward
- D392,819 S 3/1998 Woodward
- 5,819,957 A 10/1998 Hahn

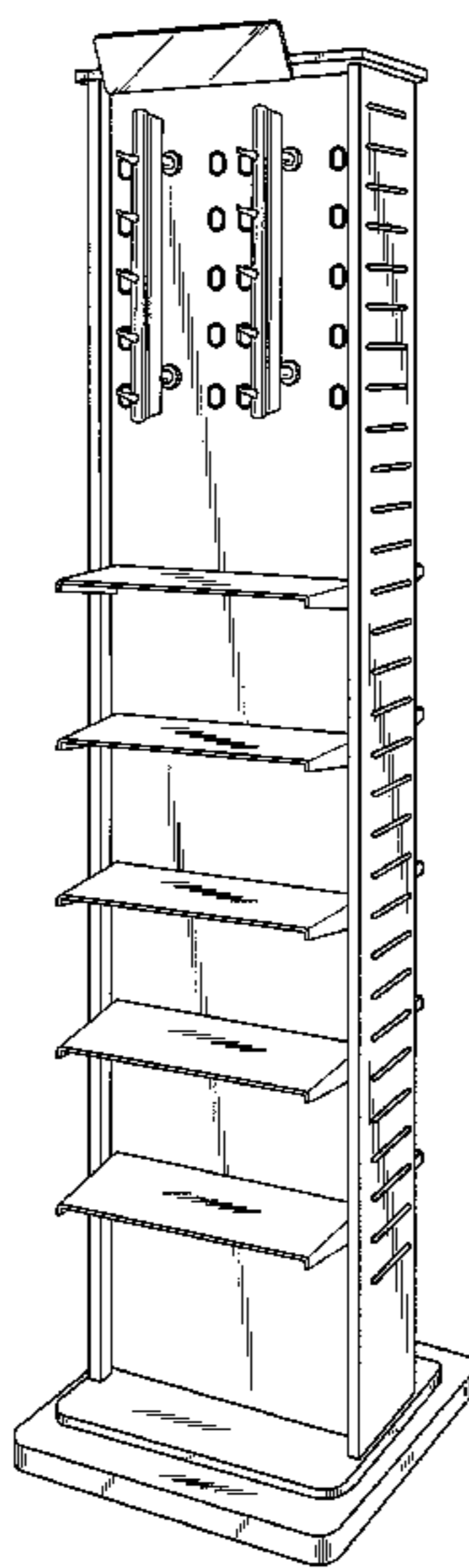
(57) **CLAIM**

The ornamental design for a display tower, as shown and described.

**DESCRIPTION**

FIG. 1 is a perspective view showing my new design for a display tower,  
 FIG. 2 is a front view thereof, the rear view being a mirror image thereof,  
 FIG. 3 is a left side view thereof, the right side view being a mirror image thereof,  
 FIG. 4 is a top view thereof; and,  
 FIG. 5 is a bottom view thereof.

**1 Claim, 3 Drawing Sheets**



# US D689,715 S

Page 2

---

(56)

## References Cited

### U.S. PATENT DOCUMENTS

D582,175 S 12/2008 Levy et al.  
D602,711 S 10/2009 Cruz  
D609,937 S \* 2/2010 Ricereto ..... D6/432  
D632,508 S 2/2011 Levy et al.

D639,580 S 6/2011 Clemence et al.  
D644,452 S \* 9/2011 Naples et al. .... D6/449  
D644,453 S 9/2011 Levy et al.  
D653,875 S \* 2/2012 Levy et al. .... D6/457  
D671,342 S \* 11/2012 Naples et al. .... D6/492  
2002/0130096 A1 9/2002 Brozak

\* cited by examiner

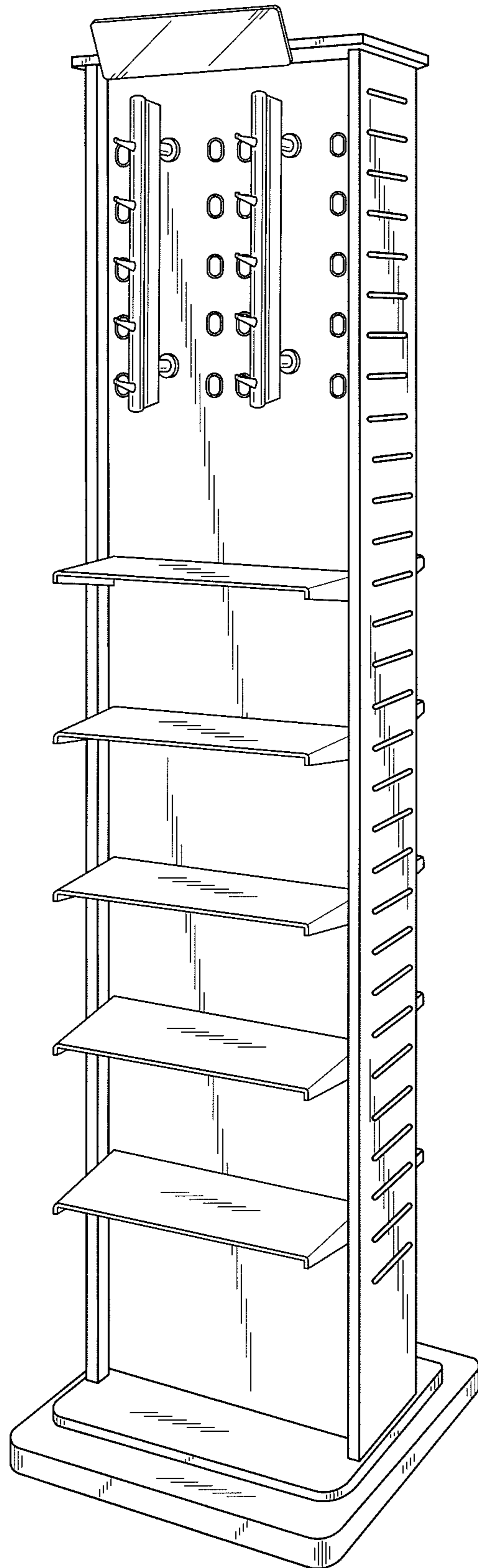


FIG. 1

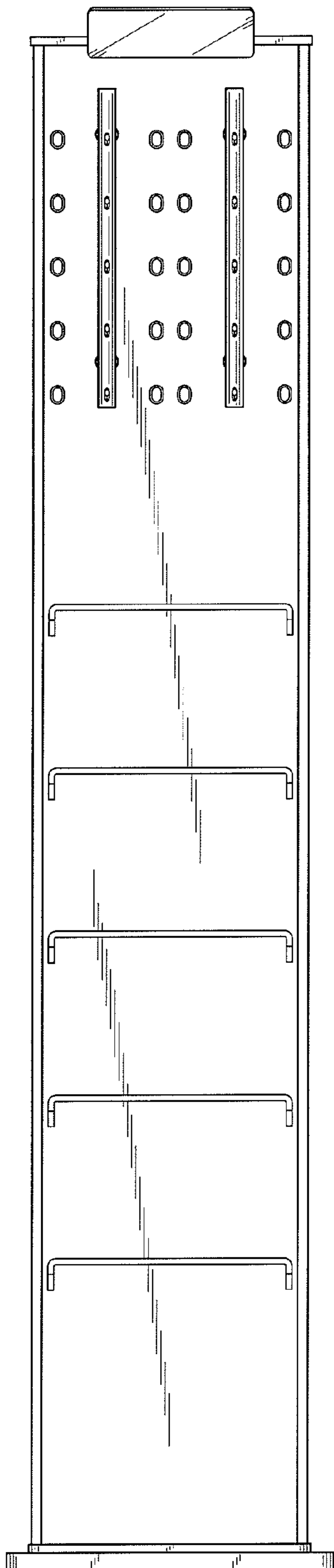


FIG. 2

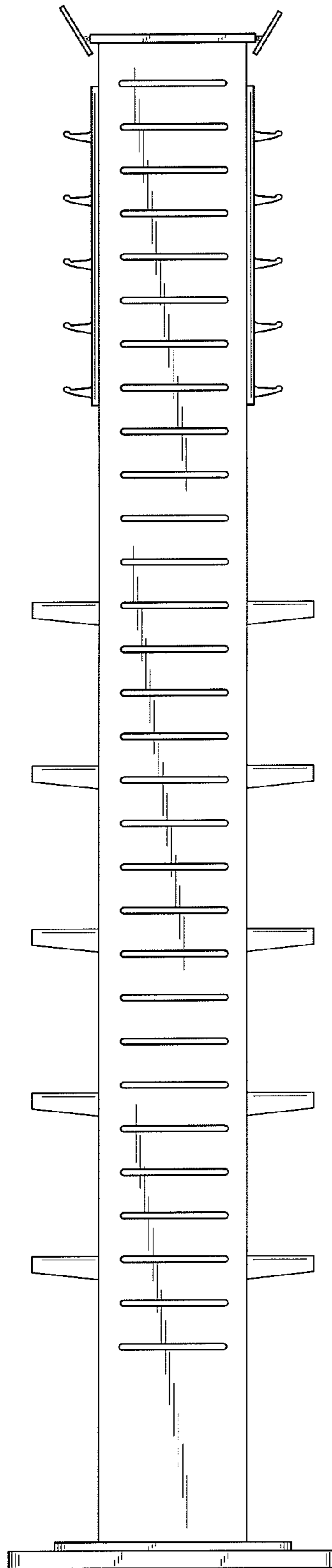


FIG. 3

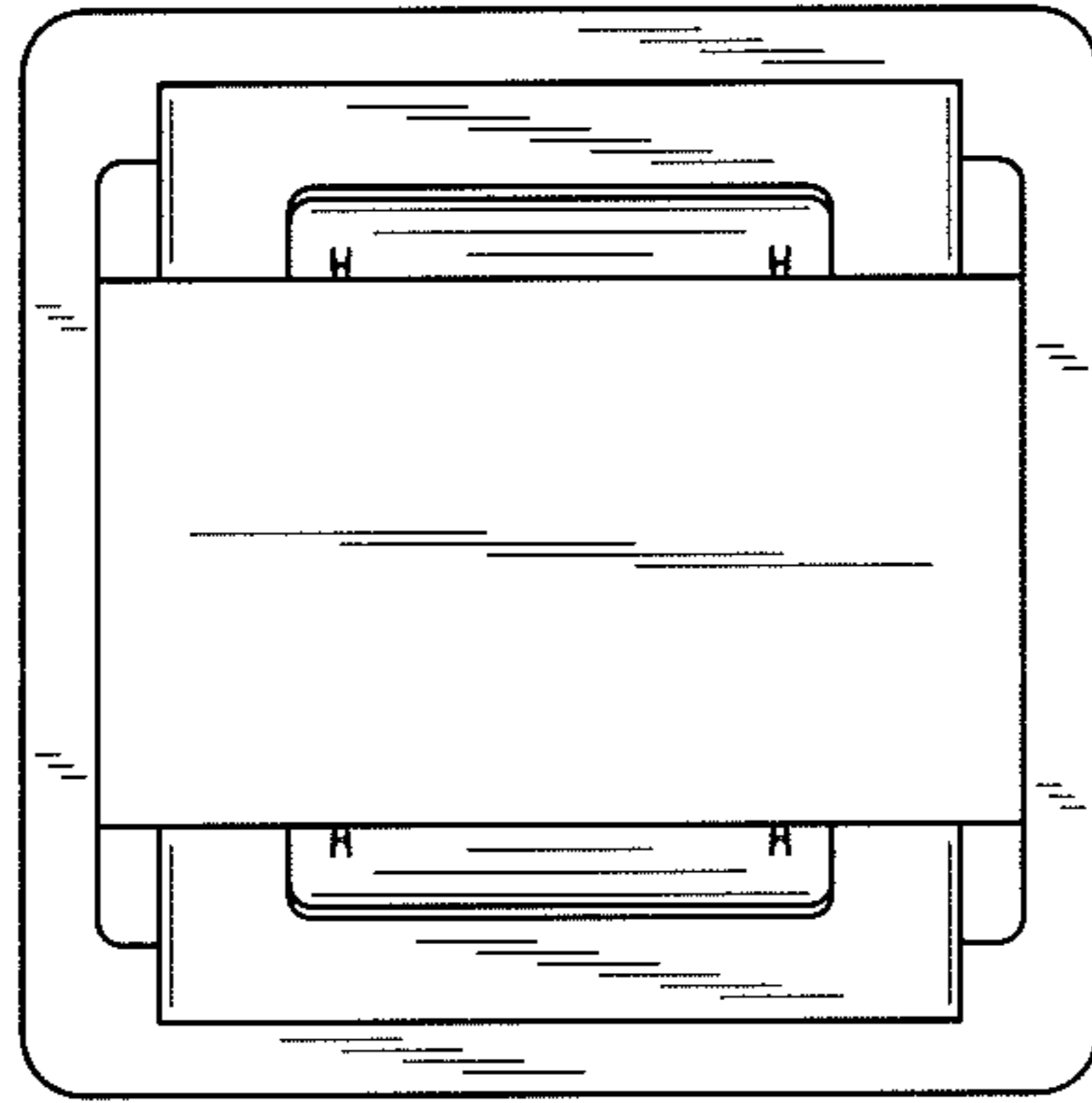


FIG. 4

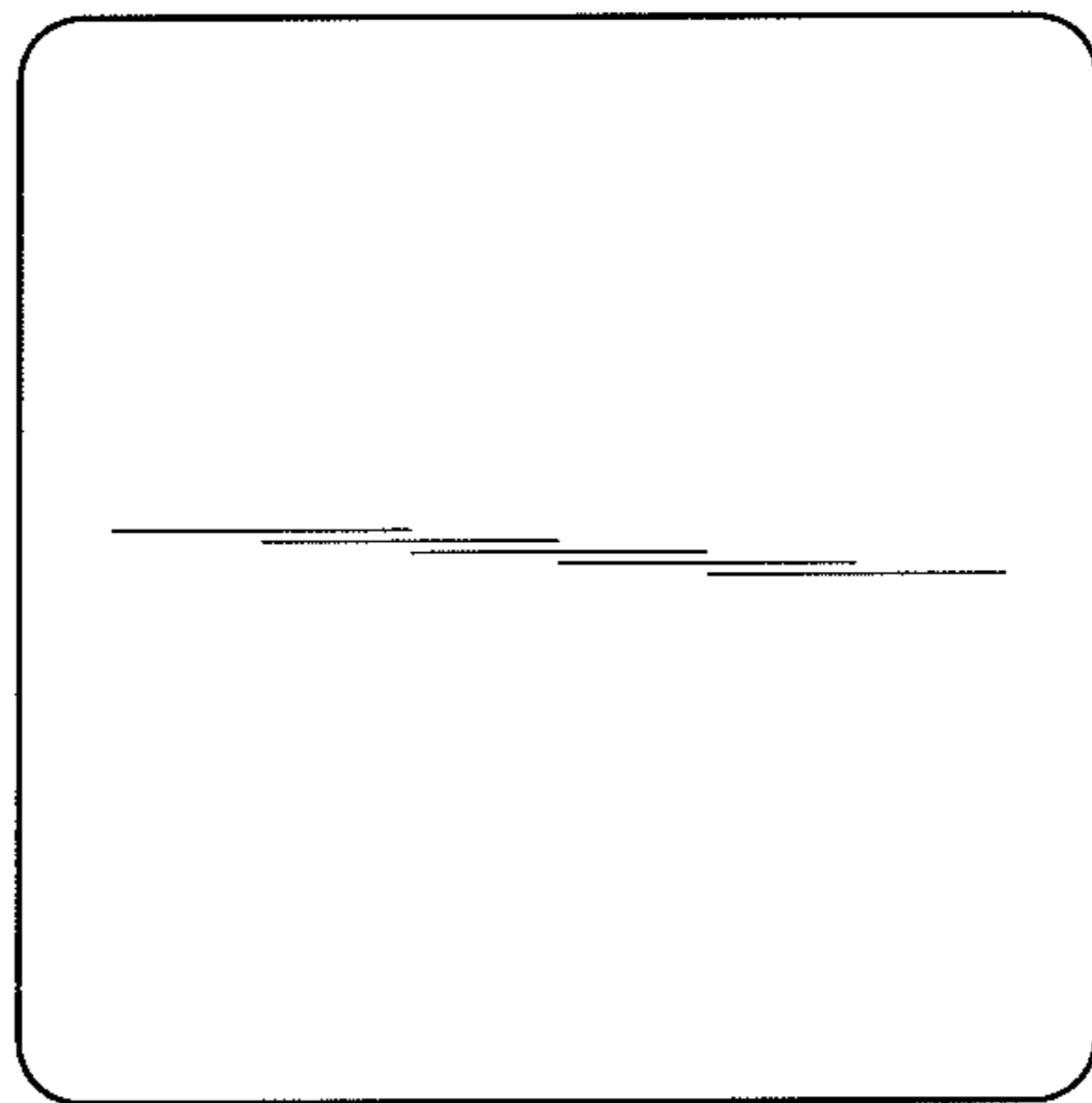


FIG. 5