

US00D689714S

(12) **United States Design Patent**
Nakamura

(10) **Patent No.:** **US D689,714 S**
(45) **Date of Patent:** **** Sep. 17, 2013**

(54) **CHAIR**

(75) Inventor: **Yasuhiro Nakamura**, Shibuya-ku (JP)

(73) Assignee: **Itoki Corporation**, Osaka-shi, Osaka (JP)

(**) Term: **14 Years**

(21) Appl. No.: **29/422,051**

(22) Filed: **May 16, 2012**

(30) **Foreign Application Priority Data**

Nov. 17, 2011 (JP) 2011-026643

(51) **LOC (9) Cl.** **06-01**

(52) **U.S. Cl.**
USPC **D6/502**; D6/366

(58) **Field of Classification Search**
USPC D6/334-336, 344-353, 360-381,
D6/388, 403, 491-502, 692, 708, 716, 716.2-716.4;
297/16.1, 22, 31, 35, 217.1, 228.12, 239,
297/256.16, 271.6, 284.4-284.5, 291, 297,
297/302.4, 411.2, 411.27-411.29, 411.43,
297/423.1, 423.12, 440.11, 440.15, 440.24,
297/448.1, 451.4, 452.13, 452.19, 452.21,
297/452.27, 452.29, 452.3, 452.41, 452.56,
297/452.64

See application file for complete search history.

(56) **References Cited**

U.S. PATENT DOCUMENTS

D476,821 S *	7/2003	Koepke et al.	D6/366
D493,627 S *	8/2004	Ma	D6/366
D499,895 S *	12/2004	Olson et al.	D6/366
D528,811 S *	9/2006	Giugiaro	D6/366
D541,063 S *	4/2007	Su	D6/366
D558,995 S *	1/2008	Igarashi	D6/366
D558,997 S *	1/2008	Igarashi	D6/366
D559,572 S *	1/2008	Igarashi	D6/366

D559,573 S *	1/2008	Igarashi	D6/366
D559,574 S *	1/2008	Igarashi	D6/366
D567,521 S *	4/2008	Igarashi	D6/366
D567,522 S *	4/2008	Igarashi	D6/366
D579,682 S *	11/2008	Neil	D6/366
D599,571 S *	9/2009	Hara	D6/366
D639,576 S *	6/2011	Breen	D6/366
D640,478 S *	6/2011	Neil	D6/366
D643,641 S *	8/2011	Figuroa	D6/366
D643,642 S *	8/2011	Figuroa	D6/366
D646,915 S *	10/2011	Schweikarth et al.	D6/502
D649,795 S *	12/2011	Izawa	D6/366
D656,752 S *	4/2012	Moll	D6/366
D665,592 S *	8/2012	Citterio	D6/366
D666,016 S *	8/2012	Citterio	D6/366
D667,231 S *	9/2012	Citterio	D6/366
D670,927 S *	11/2012	Hurford	D6/366
D671,759 S *	12/2012	Hurford	D6/366

* cited by examiner

Primary Examiner — Ricky Pham

(74) *Attorney, Agent, or Firm* — Drinker Biddle & Reath LLP

(57) **CLAIM**

The ornamental design for the chair, as shown and described.

DESCRIPTION

FIG. 1 is a rear perspective view thereof;
FIG. 2 is a front perspective view thereof;
FIG. 3 is a front view thereof;
FIG. 4 is a rear view thereof;
FIG. 5 is a left side view thereof;
FIG. 6 is a right side view thereof;
FIG. 7 is a top plan view thereof;
FIG. 8 is a bottom view thereof; and,
FIG. 9 is an enlarged end view at 9-9 shown in FIG. 3 thereof.
The portions of the article in broken lines are shown for illustrative purposes only and form no part of the claimed design. The dashed and dotted line shows a boundary between a claimed portion and a non-claimed portion.

1 Claim, 8 Drawing Sheets

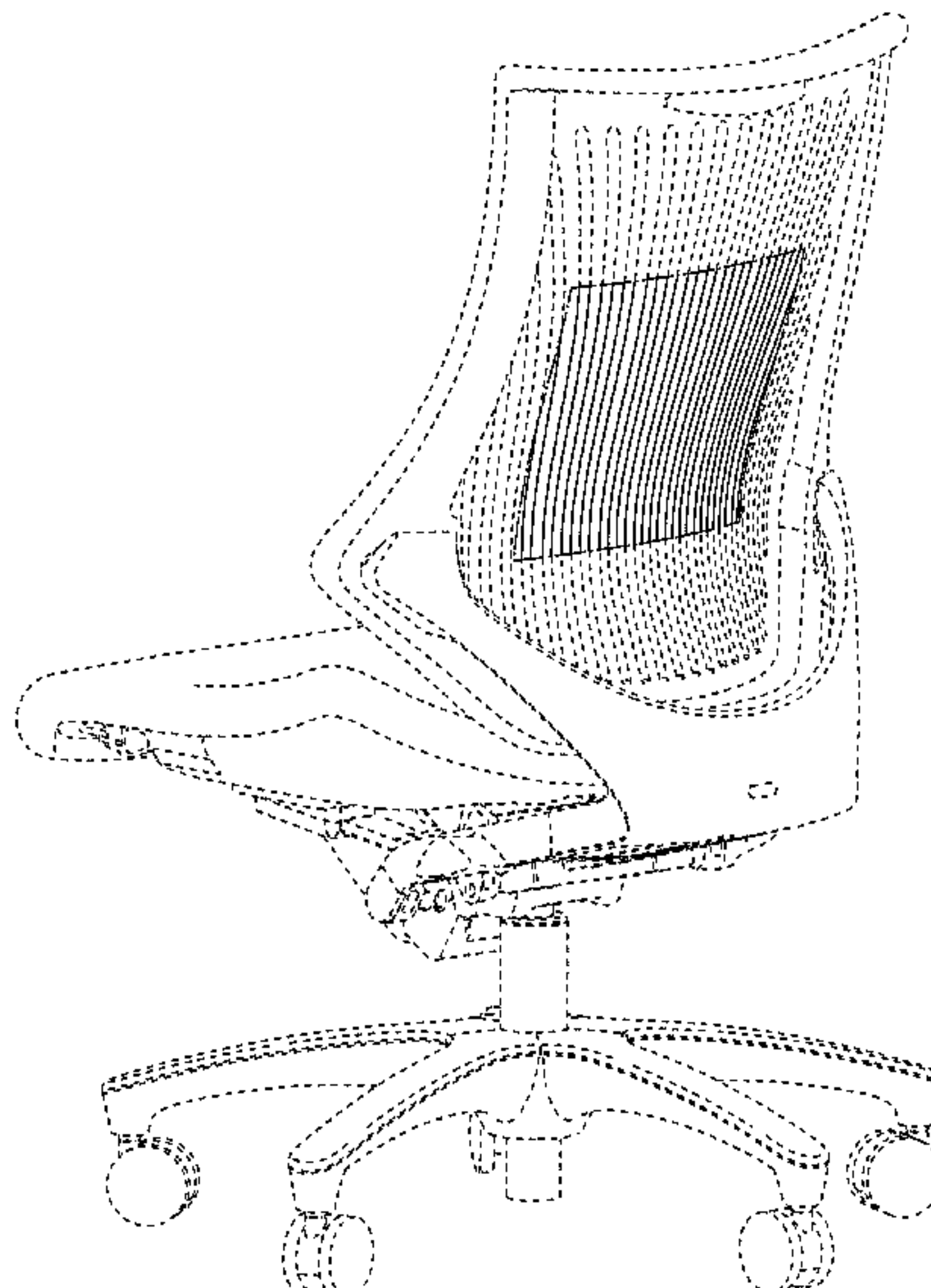


Fig. 1

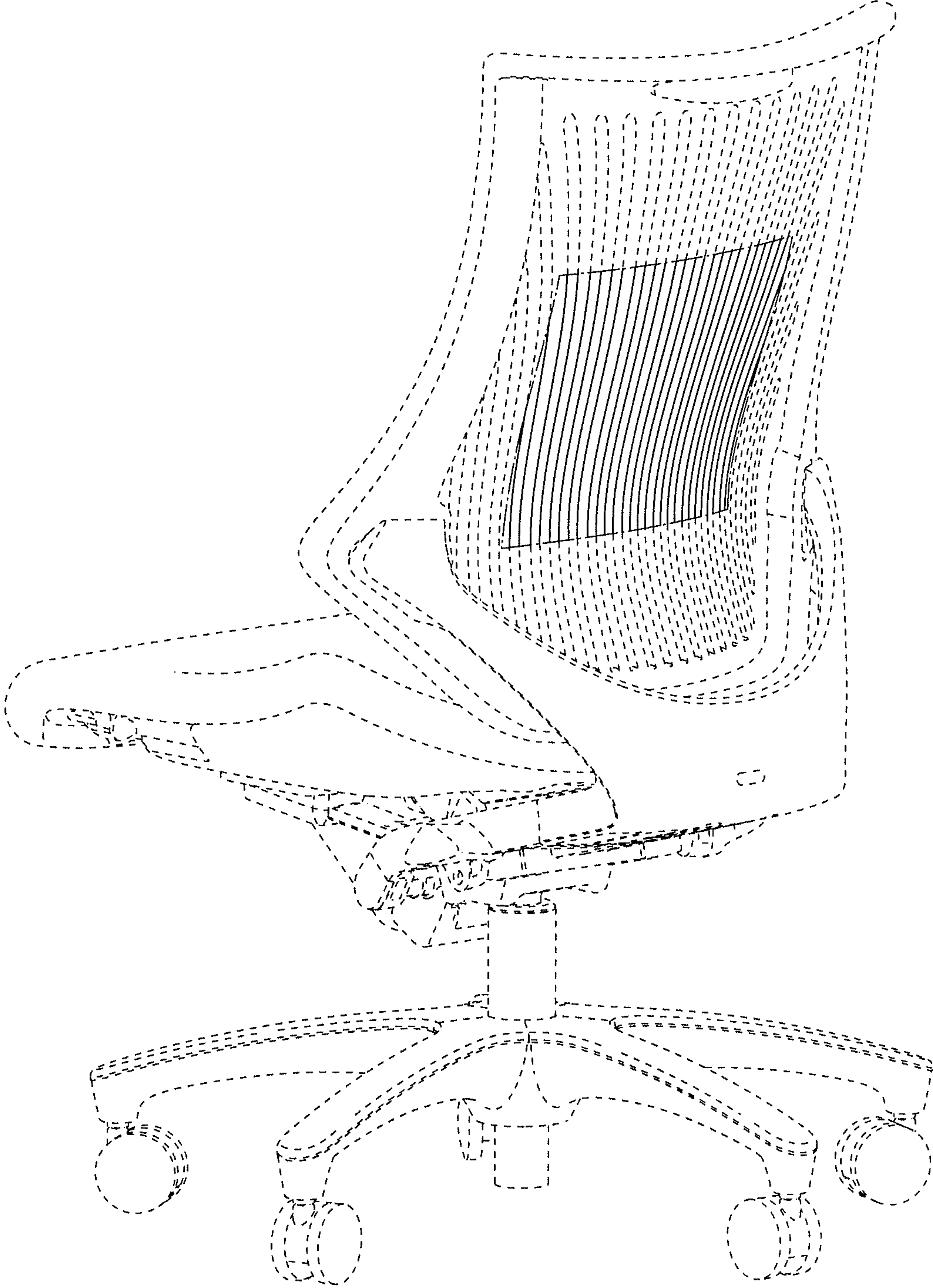


Fig. 2

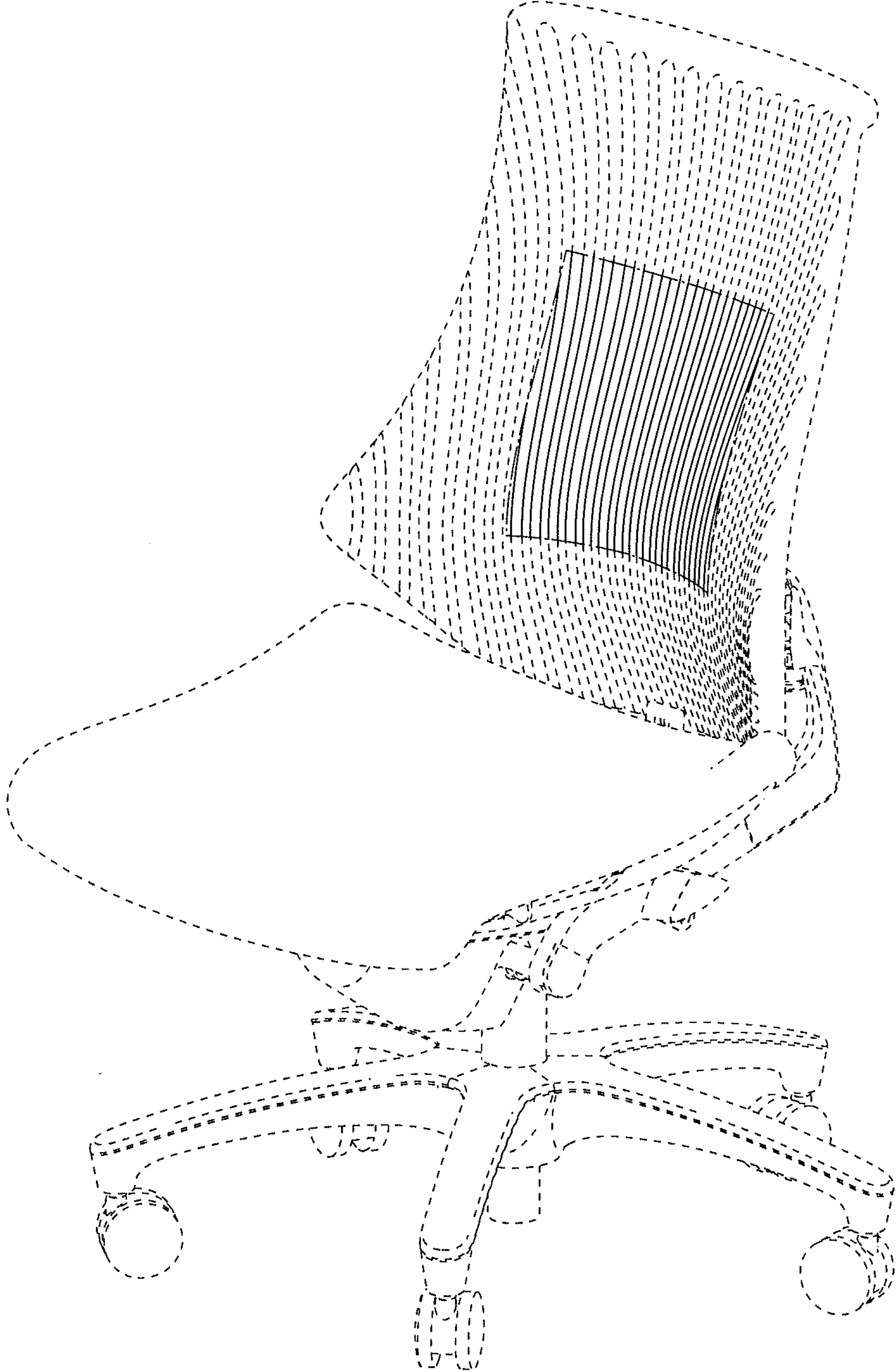


Fig. 3

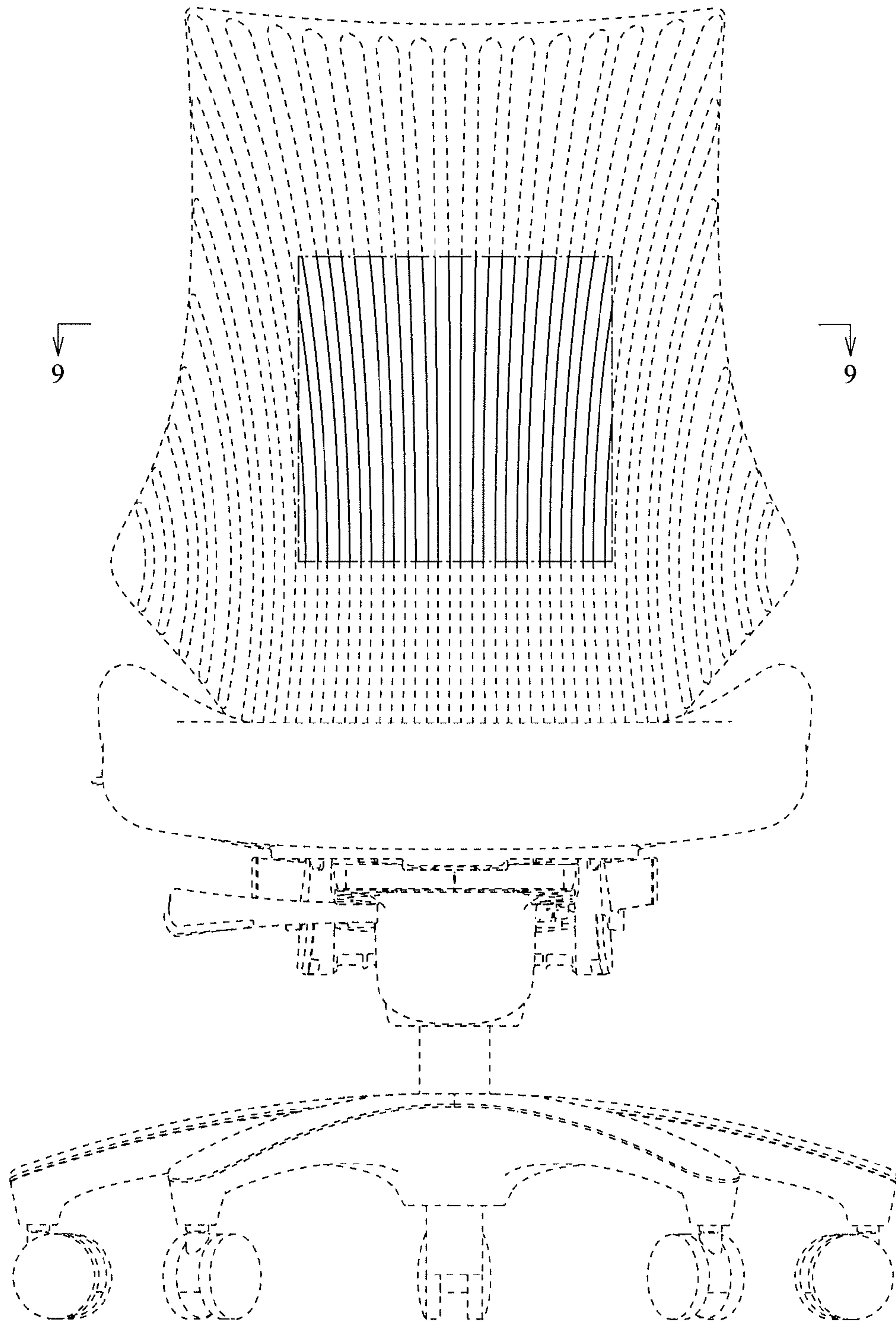


Fig. 4

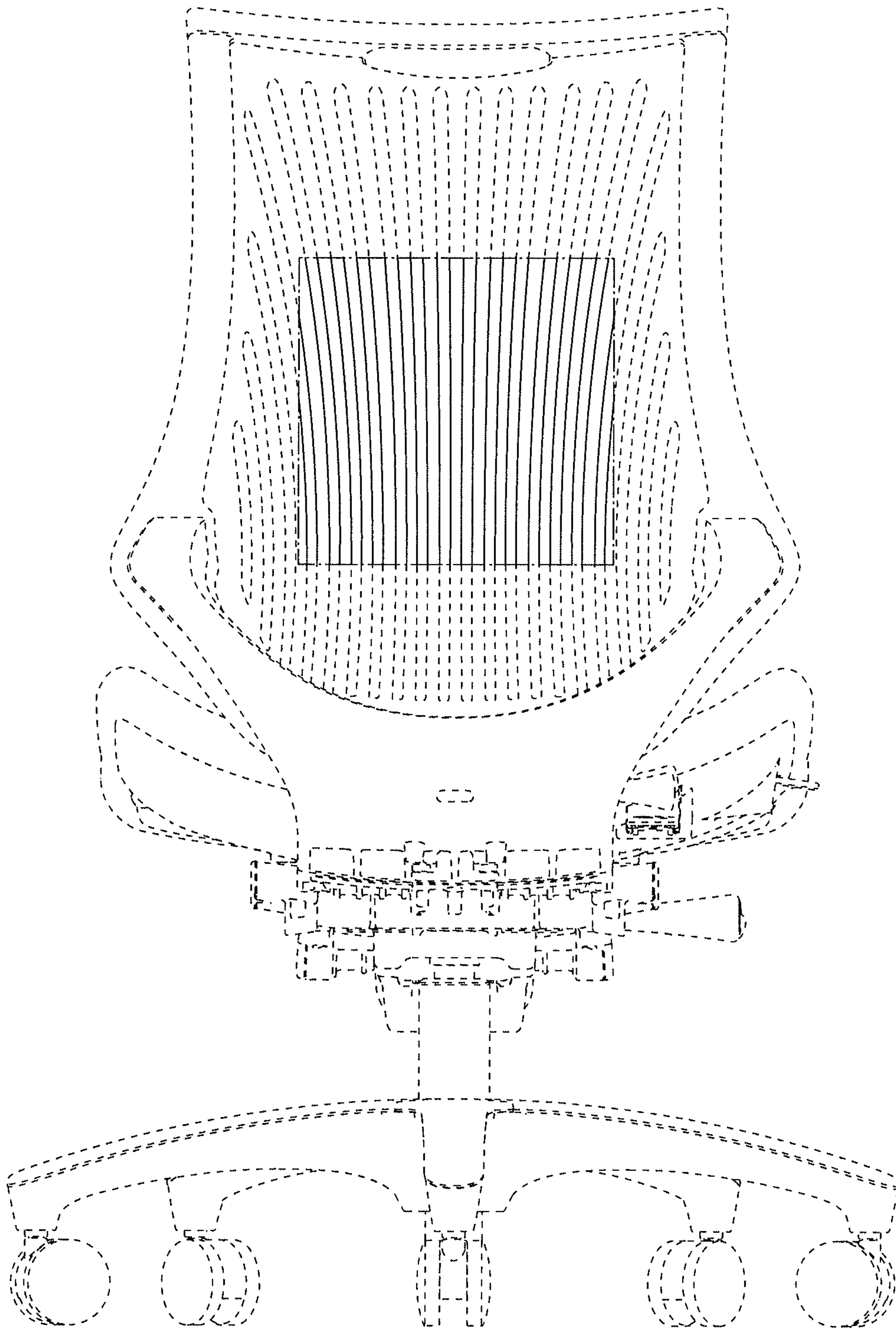


Fig. 5

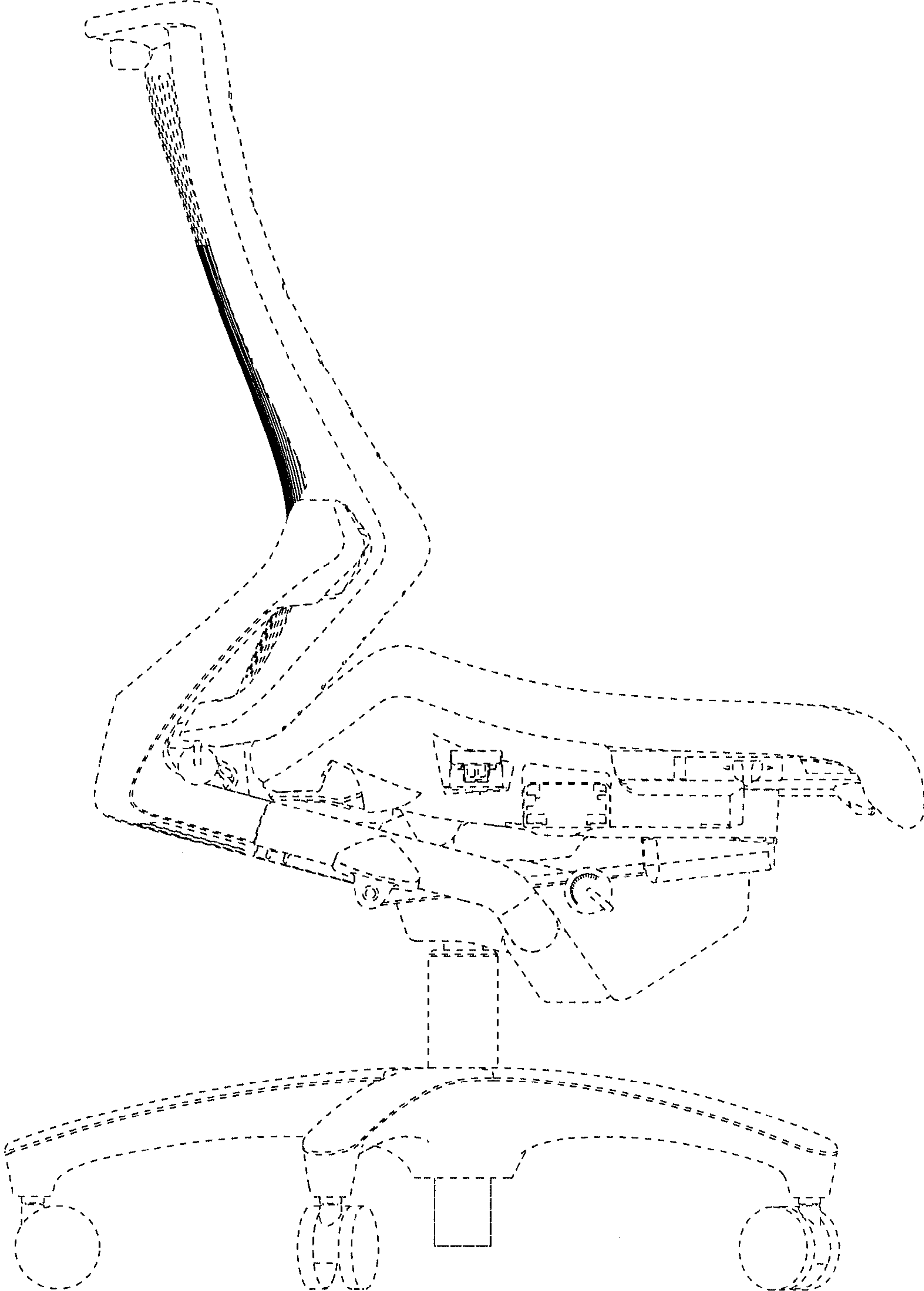


Fig. 6

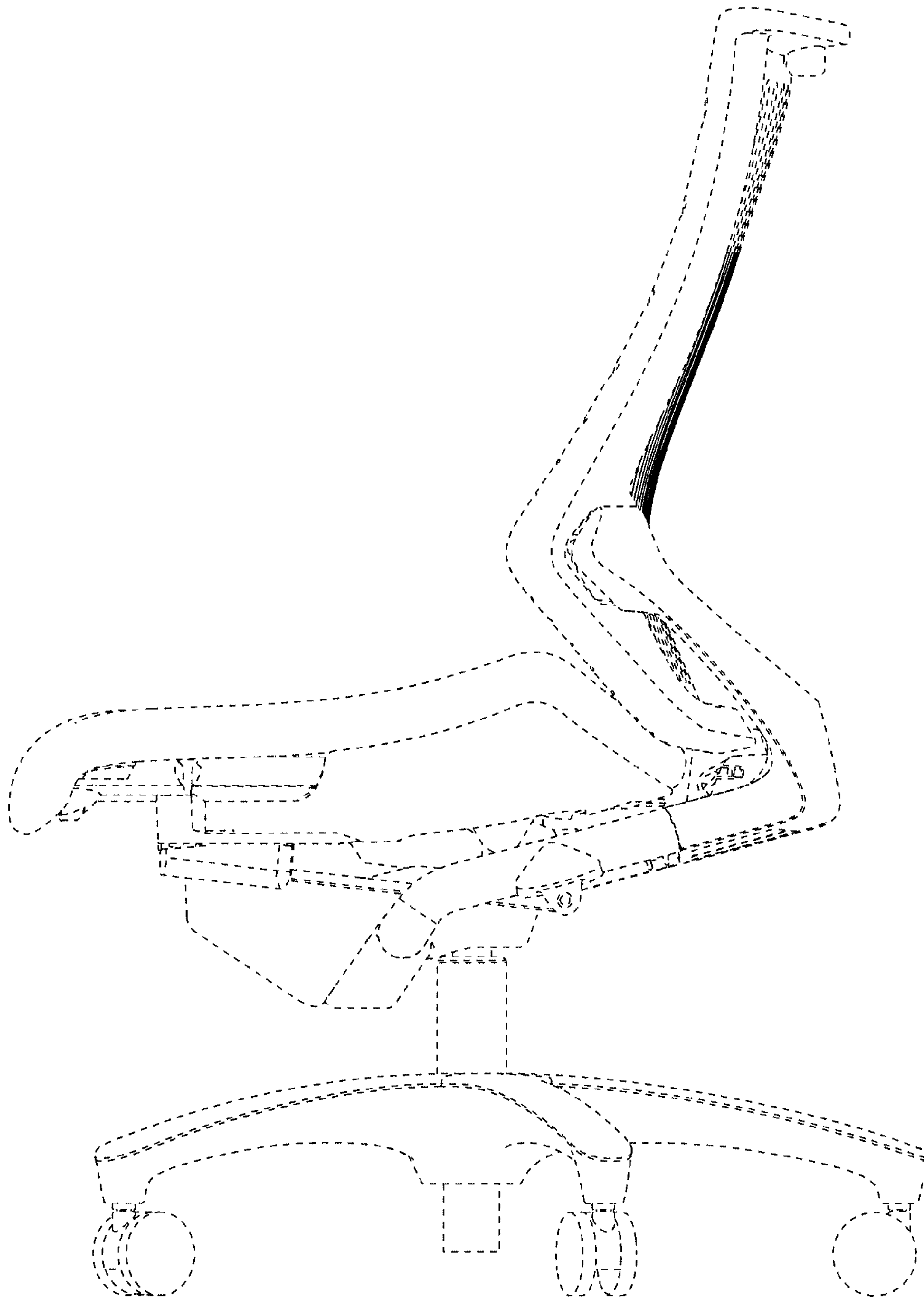


Fig. 7

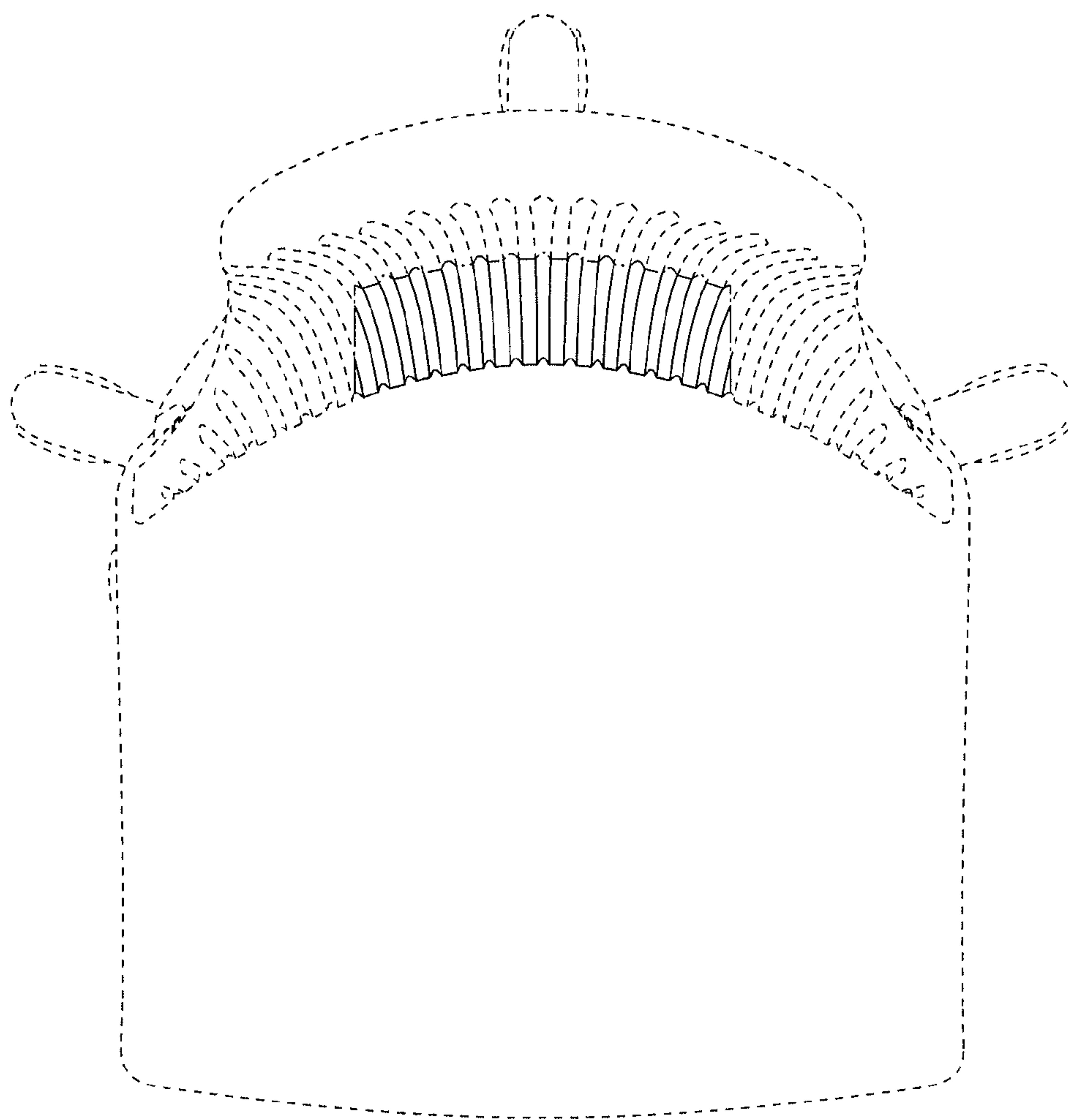


Fig. 8

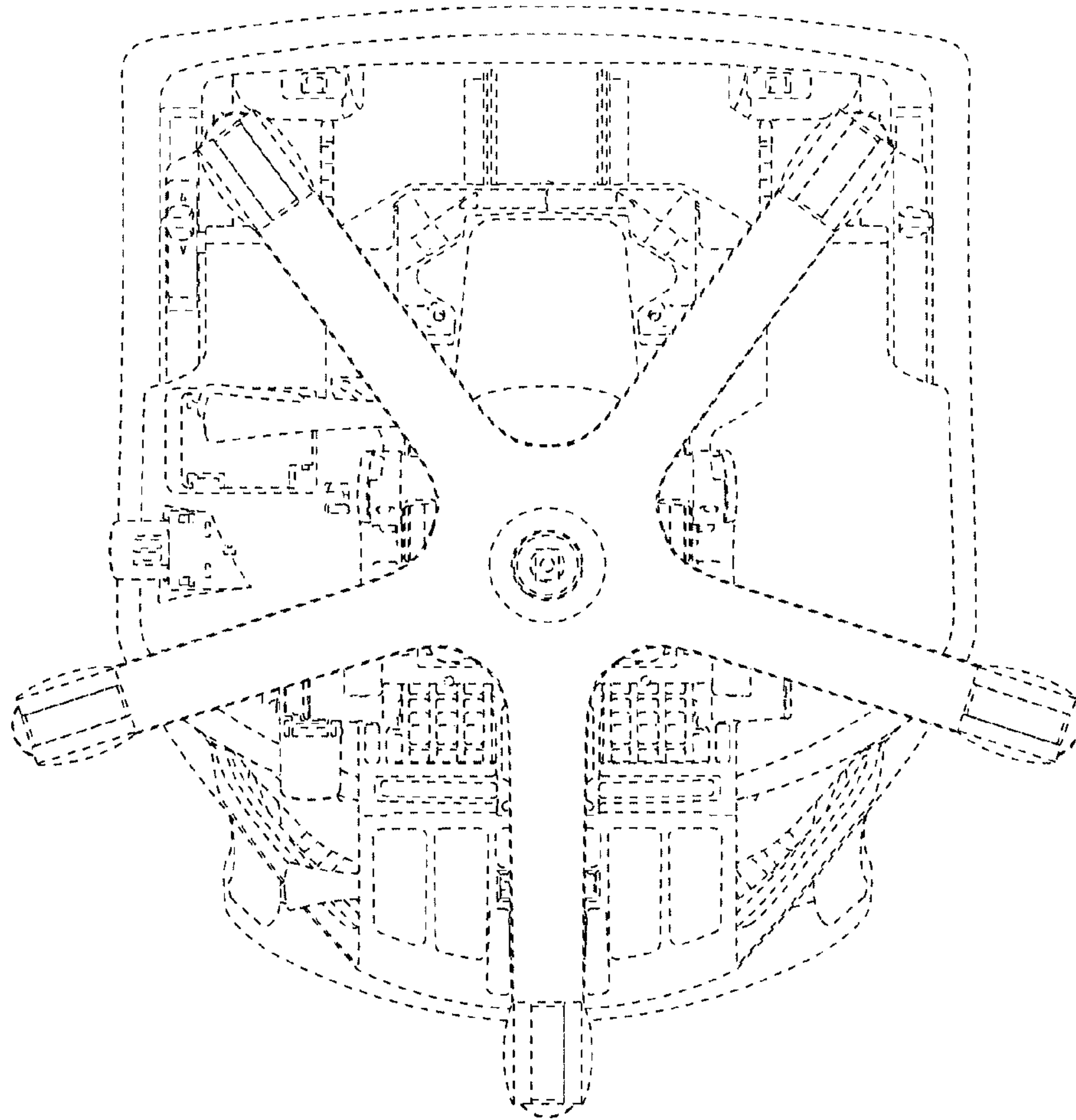


Fig. 9

