



US00D689707S

(12) **United States Design Patent**  
**Mo**

(10) **Patent No.:** **US D689,707 S**

(45) **Date of Patent:** **\*\* Sep. 17, 2013**

(54) **OFFICE CHAIR**

(75) Inventor: **Guo-Peng Mo**, Huizhou (CN)

(73) Assignee: **Genius Champion Enterprises Co., Ltd.**, Guangdong (CN)

(\*\*) Term: **14 Years**

(21) Appl. No.: **29/424,903**

(22) Filed: **Jun. 18, 2012**

(51) **LOC (9) Cl.** ..... **06-01**

(52) **U.S. Cl.**  
USPC ..... **D6/366**

(58) **Field of Classification Search**  
USPC ..... D6/334-336, 364, 365, 366, 367,  
D6/369, 374, 379, 380, 716, 716.1, 716.2,  
D6/716.3, 716.4; 297/396, 397, 284.4, 411.28,  
297/452.21, 452.26, 452.29, 452.3, 452.32,  
297/452.35, 452.48

See application file for complete search history.

(56) **References Cited**

U.S. PATENT DOCUMENTS

D227,829	S	*	7/1973	Klose	.....	D6/366
D443,991	S	*	6/2001	Picotti	.....	D6/366
D648,158	S	*	11/2011	Kubryk	.....	D6/716
D654,713	S	*	2/2012	Lloyd et al.	.....	D6/366
D658,904	S	*	5/2012	Chen	.....	D6/366
D667,243	S	*	9/2012	Su	.....	D6/716
D677,917	S	*	3/2013	Mao	.....	D6/366
D683,551	S	*	6/2013	Wu	.....	D6/366

\* cited by examiner

*Primary Examiner* — Mimoso De

(57) **CLAIM**

The ornamental design for a office chair, as shown and described.

**DESCRIPTION**

FIG. 1 is a perspective view of a office chair;  
FIG. 2 is a front view thereof;  
FIG. 3 is a back view thereof;  
FIG. 4 is a left view thereof;  
FIG. 5 is a right view thereof;  
FIG. 6 is a top view thereof; and,  
FIG. 7 is a bottom view thereof.

**1 Claim, 7 Drawing Sheets**

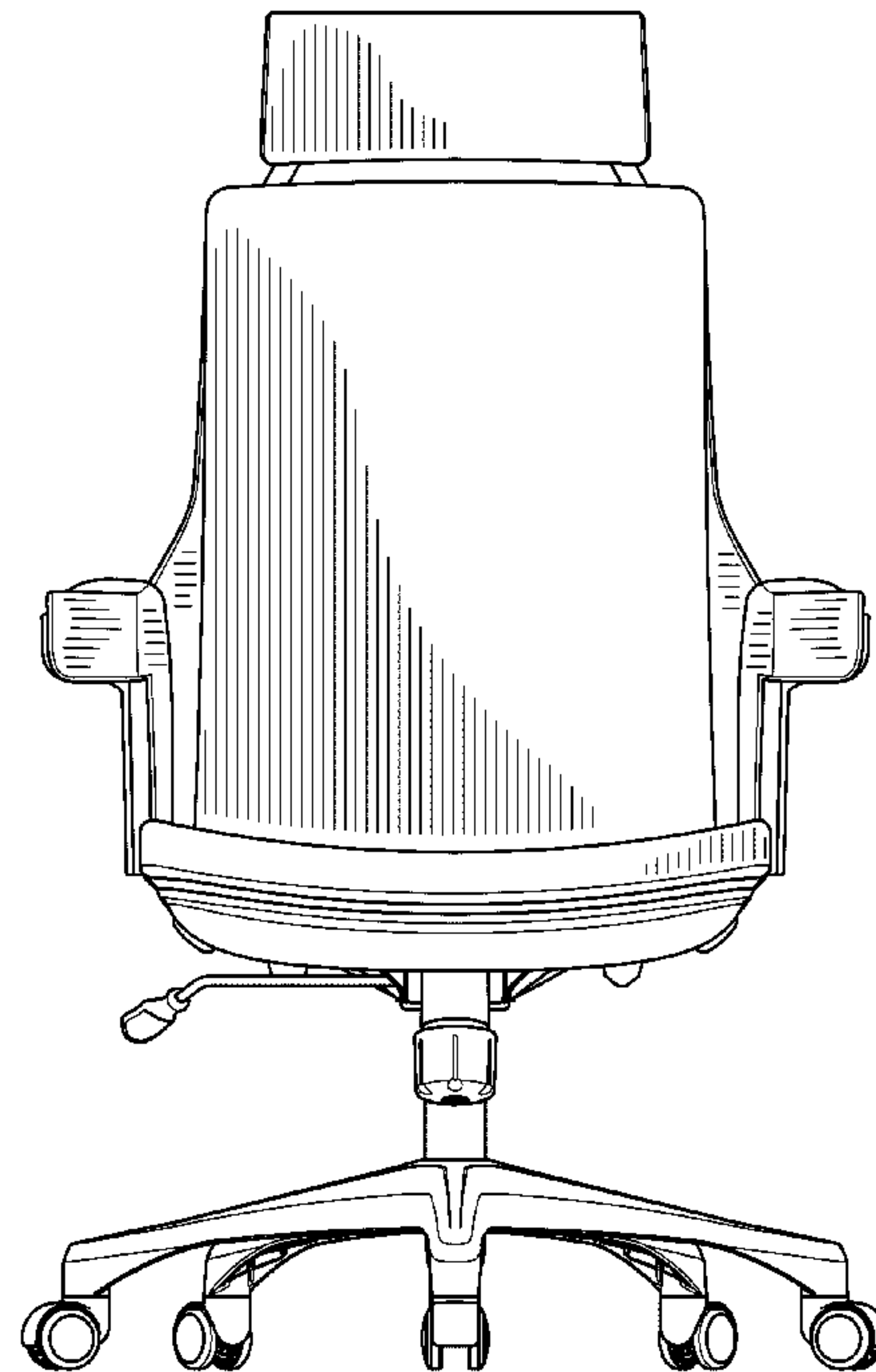
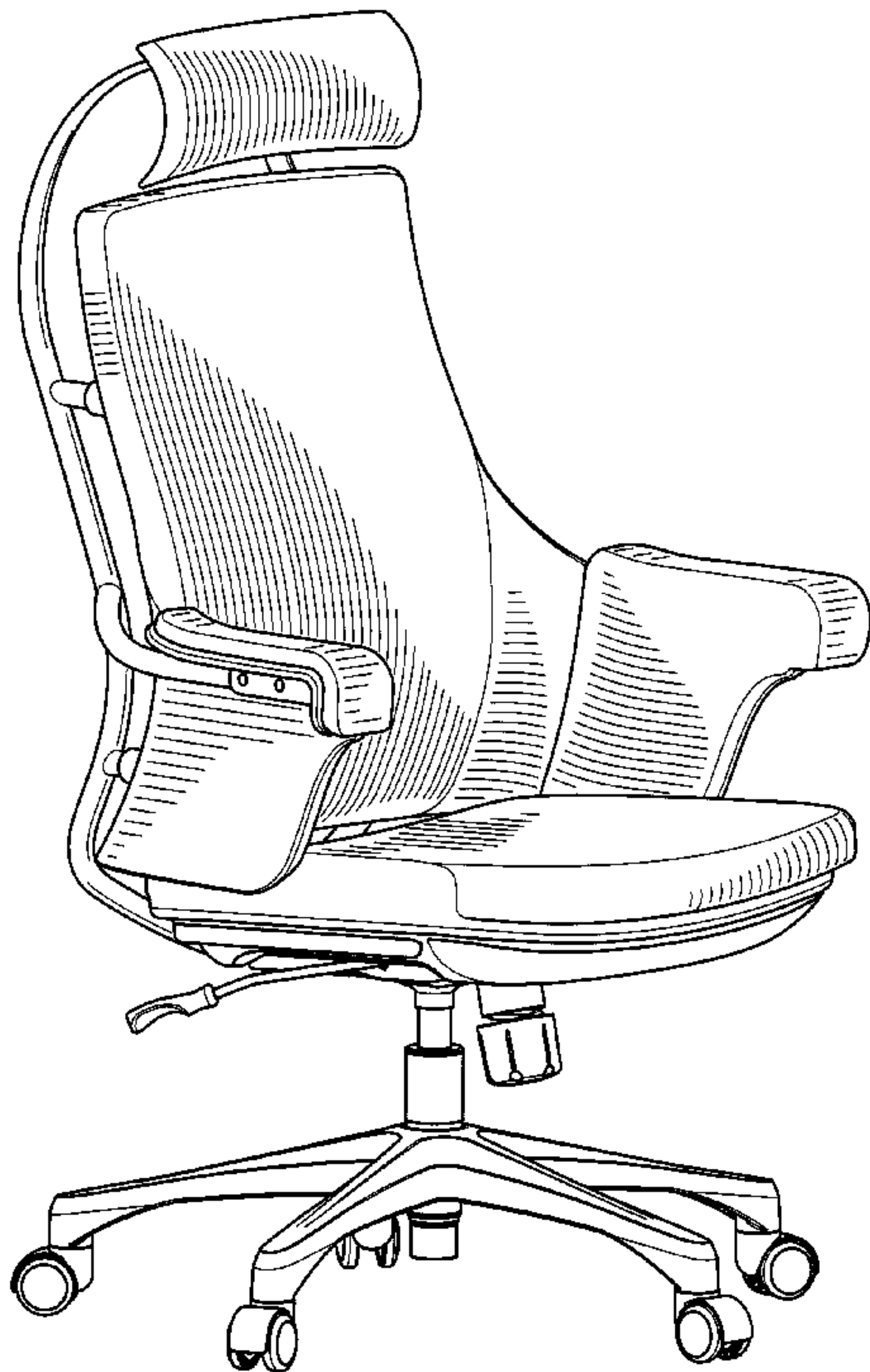




FIG. 1

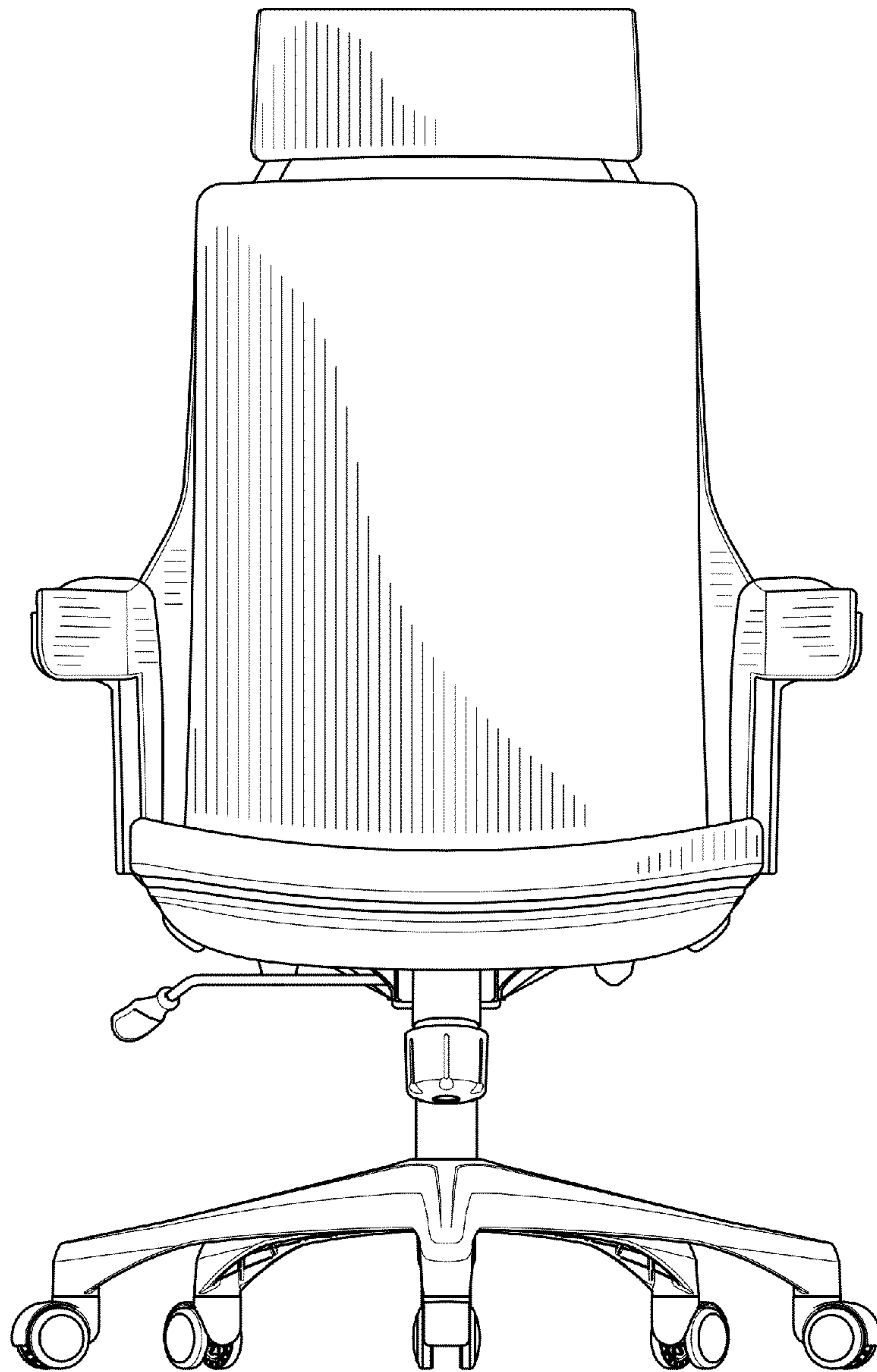


FIG.2



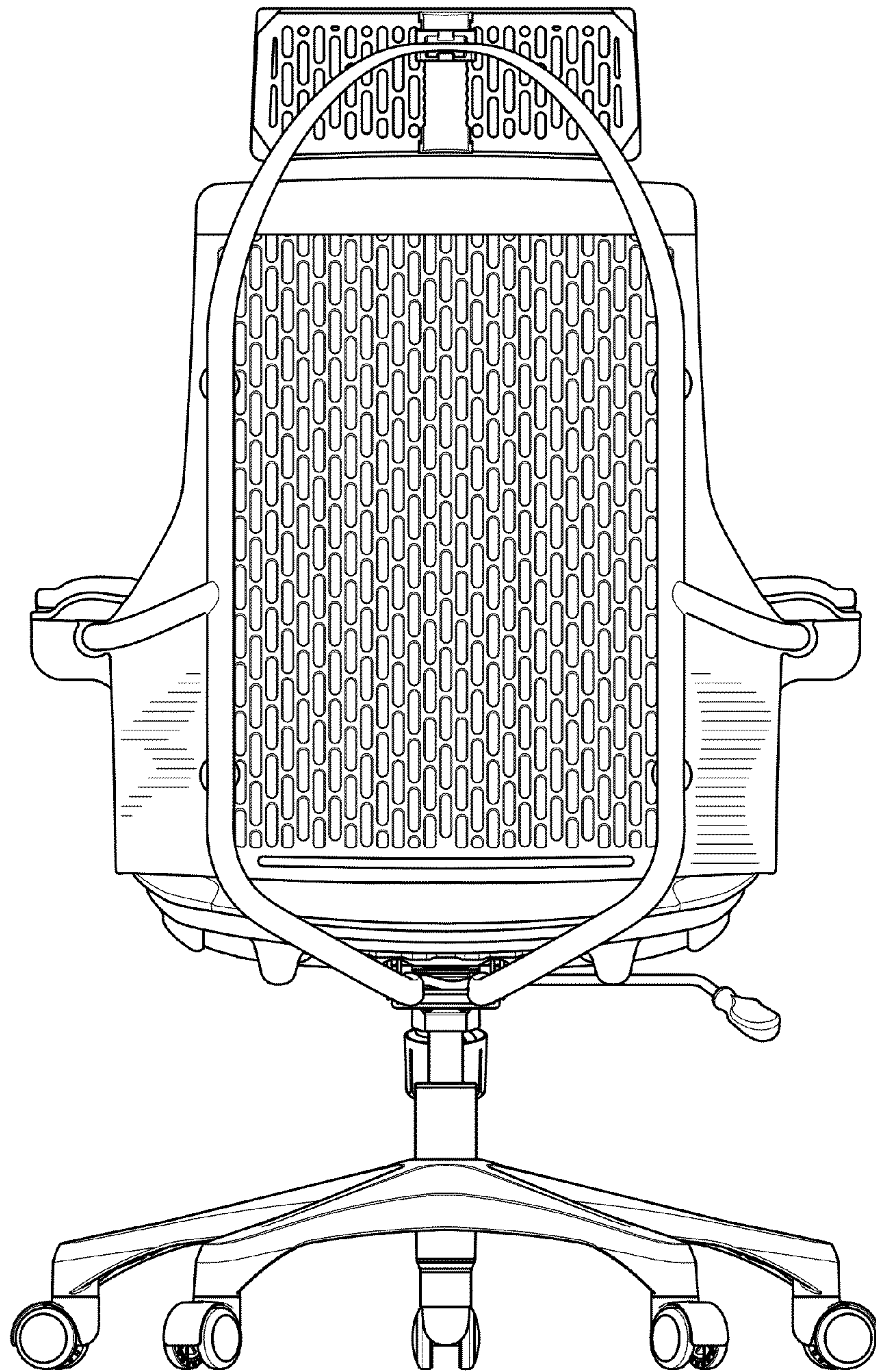


FIG.3

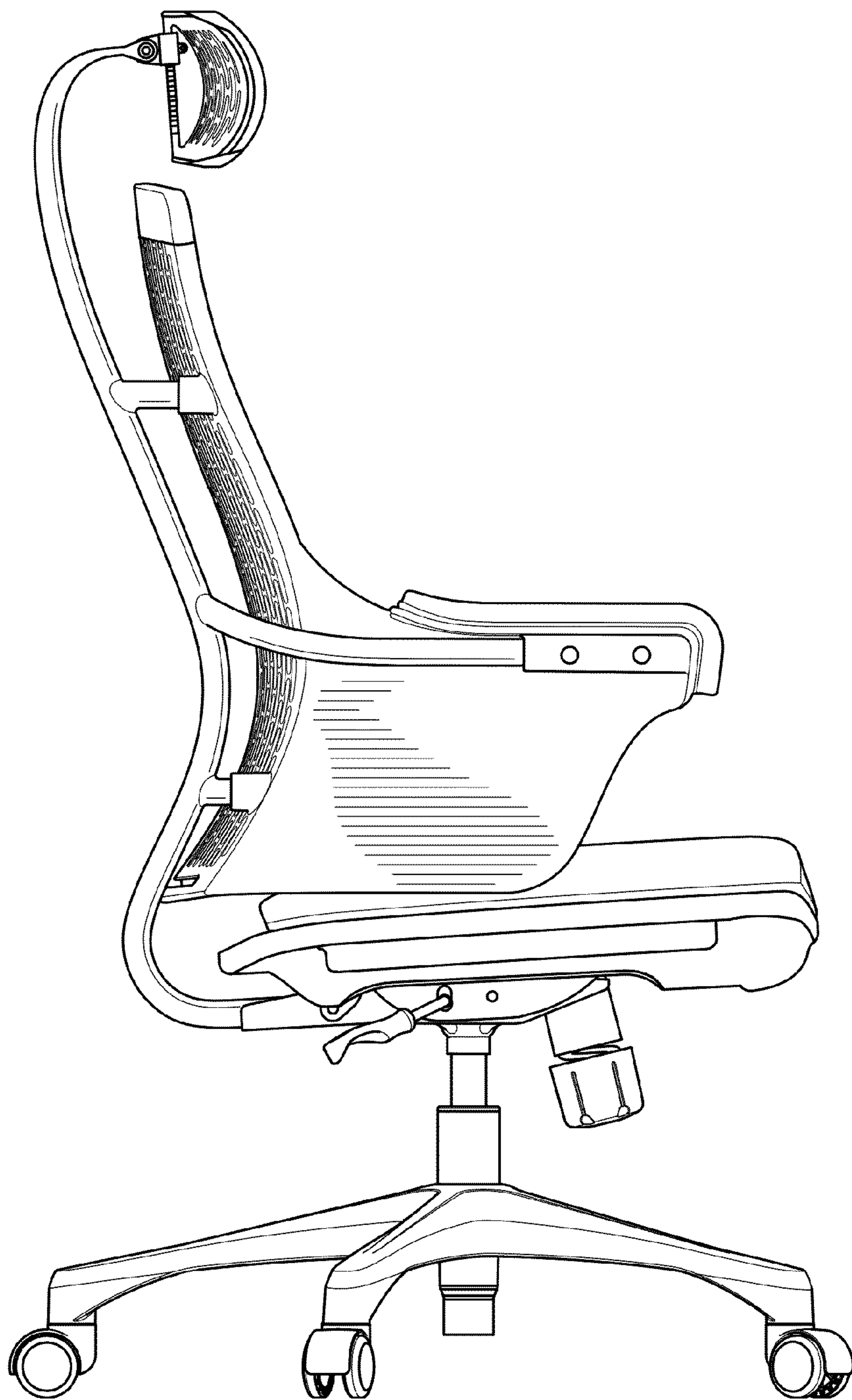


FIG.4

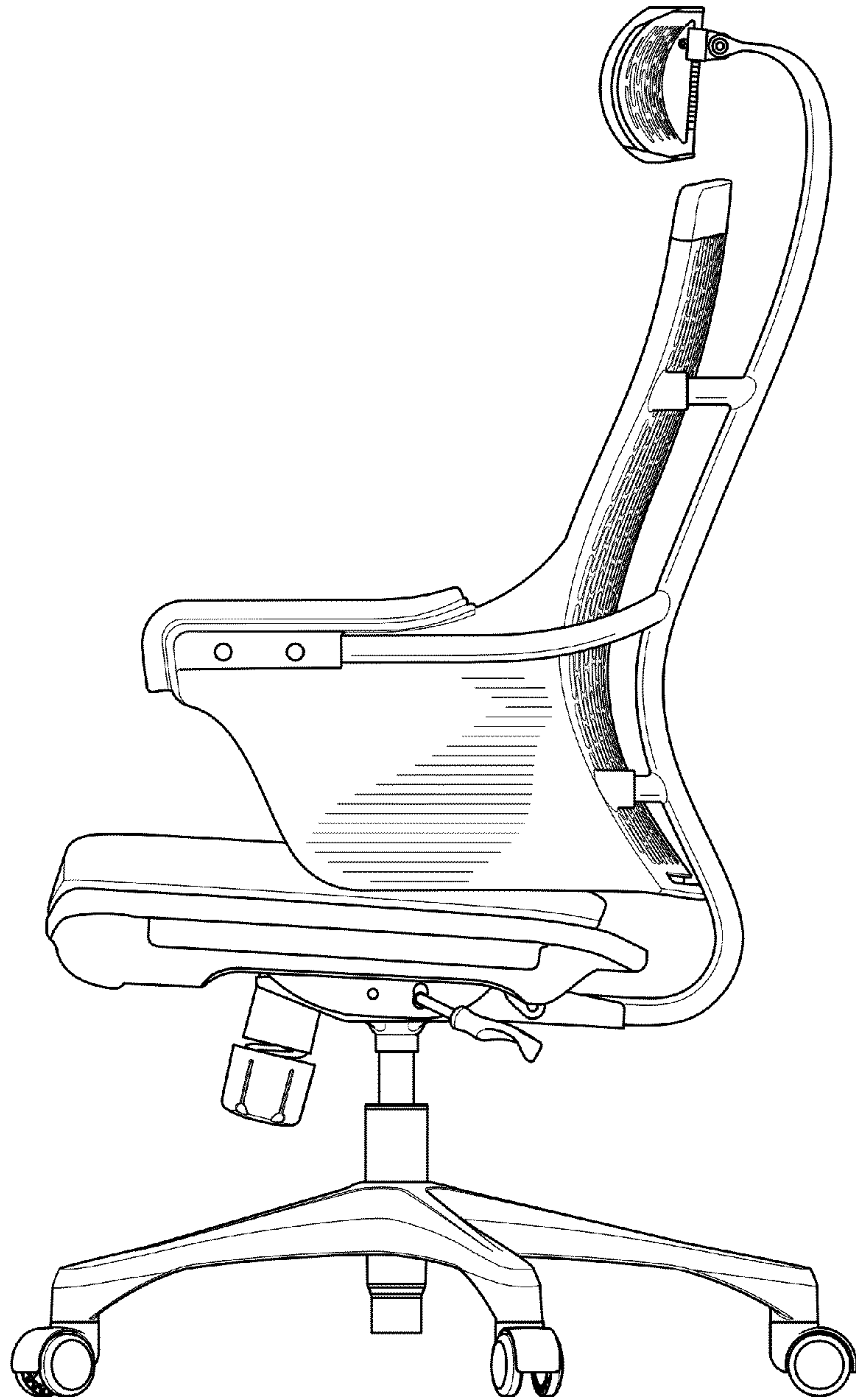


FIG.5



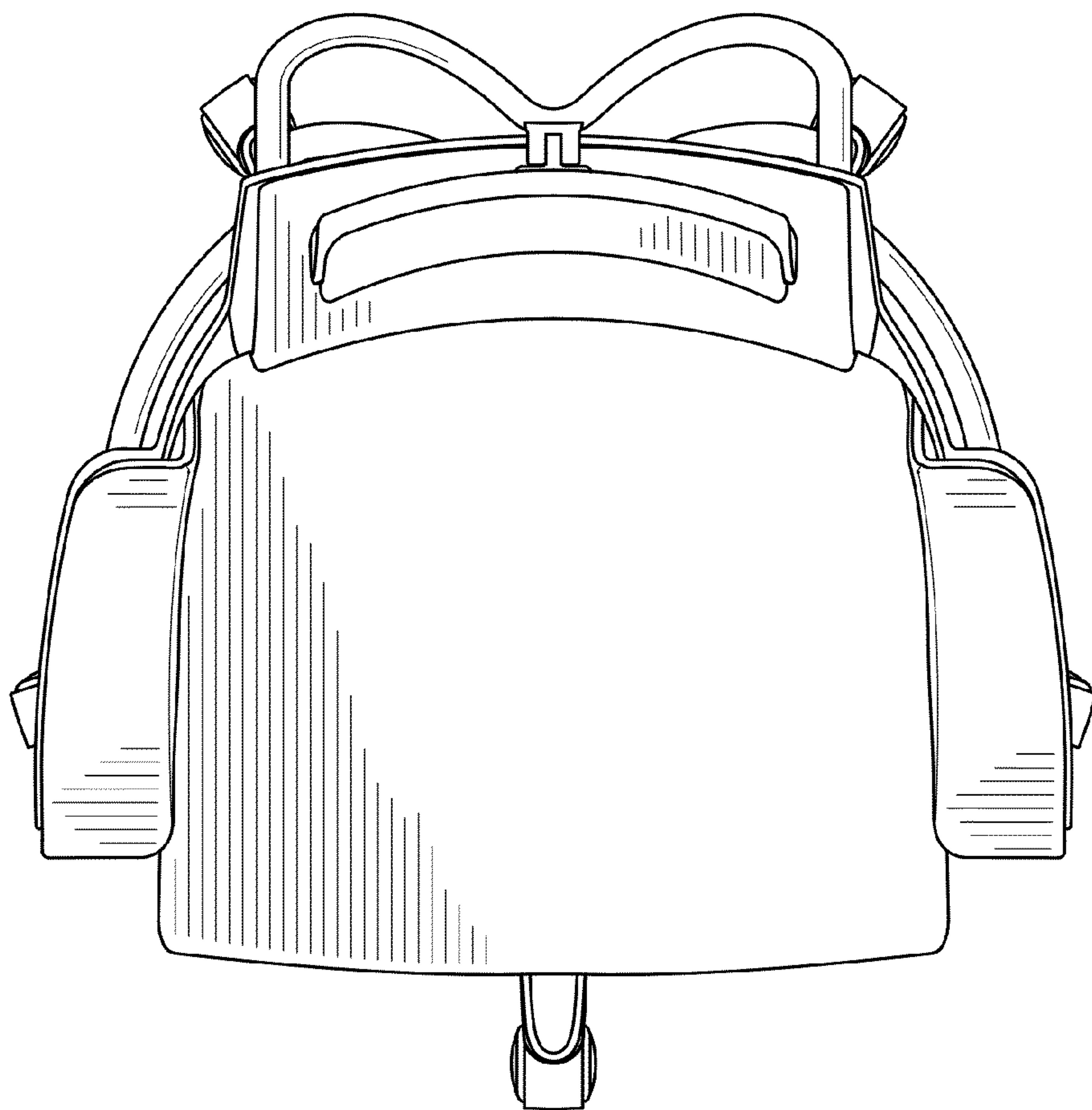


FIG.6

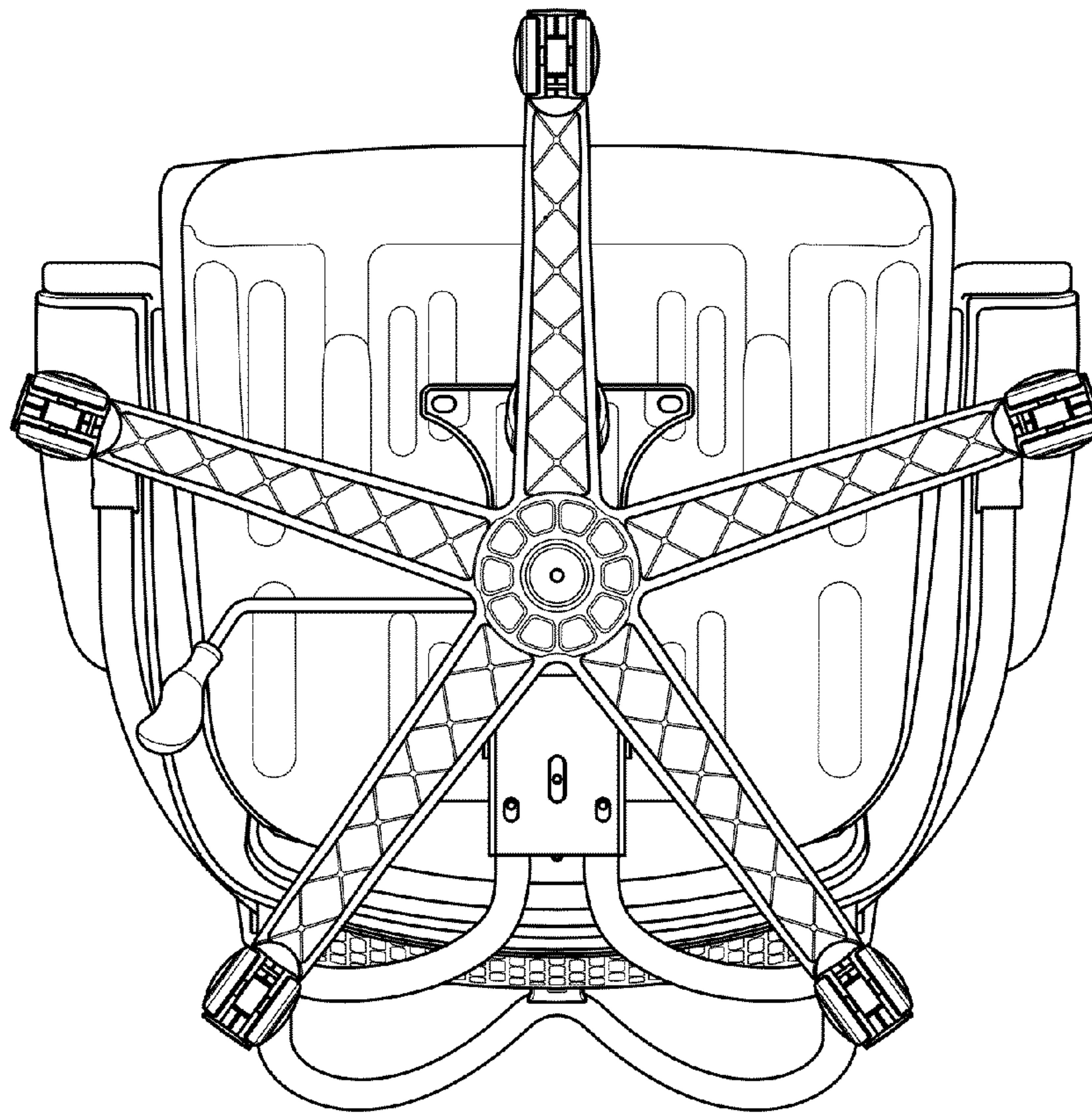


FIG.7