



US00D689705S

(12) **United States Design Patent**
Gustafson et al.

(10) **Patent No.:** **US D689,705 S**
(45) **Date of Patent:** **** Sep. 17, 2013**

(54) **SEAT**

(75) Inventors: **Kathryn Lynn Gustafson**, Vashon Island, WA (US); **Rodrigo Carlos Abela**, Arlington, VA (US); **Stacy Day Vayanos**, Seattle, WA (US); **Kelly Majewski**, Los Angeles, CA (US)

(73) Assignee: **Gustafson Guthrie Nichol Ltd.**, Seattle, WA (US)

(**) Term: **14 Years**

(21) Appl. No.: **29/411,782**

(22) Filed: **Jan. 26, 2012**

(51) **LOC (9) Cl.** **06-01**

(52) **U.S. Cl.**
USPC **D6/353**

(58) **Field of Classification Search**
USPC D6/340, 349-354, 355, 708, 708.16, D6/708.17, 716, 716.1; 297/16.1, 16.2, 175, 297/181, 186, 187, 195.1, 215.16, 440.12, 297/461, 462, DIG. 2

See application file for complete search history.

(56) **References Cited**

U.S. PATENT DOCUMENTS

D171,652	S *	3/1954	Keady	D6/336
3,310,340	A *	3/1967	Brewer et al.	297/16.1
4,676,547	A *	6/1987	Spillman	297/4
4,684,090	A *	8/1987	Skarland	248/155
5,188,424	A *	2/1993	Herron	297/195.1
D341,259	S *	11/1993	Mele	D6/364
5,411,313	A *	5/1995	Counihan et al.	297/118
5,439,269	A *	8/1995	Cheng	297/440.1
5,441,433	A *	8/1995	Stanley	441/130
D365,695	S *	1/1996	Sibbitt, Sr.	D6/364
D428,713	S *	8/2000	Arko et al.	D6/336
D428,721	S *	8/2000	Jenkins	D6/364
6,176,545	B1 *	1/2001	Hambleton	297/4

D450,466	S *	11/2001	Overthun et al.	D6/336
D450,943	S *	11/2001	Bell	D6/364
D463,143	S *	9/2002	Riddle	D6/336
D464,207	S *	10/2002	Bell et al.	D6/364
D465,935	S *	11/2002	Noll	D6/346
D467,745	S *	12/2002	Ryan	D6/364
D473,389	S *	4/2003	Ryan	D6/364
D473,724	S *	4/2003	Hans De Wit	D6/336
D483,959	S *	12/2003	Howard et al.	D6/364
D491,648	S *	6/2004	Shimizu	D23/304
6,893,097	B1 *	5/2005	Ebensperger et al.	297/451.4
D540,048	S *	4/2007	Llusca	D6/360
D558,472	S *	1/2008	Linton et al.	D6/349
D568,622	S *	5/2008	Little et al.	D6/335
D647,713	S *	11/2011	Unterrainer et al.	D6/349
D648,146	S *	11/2011	Unterrainer et al.	D6/351
D651,422	S *	1/2012	Unterrainer et al.	D6/349
D666,425	S *	9/2012	Link	D6/349

* cited by examiner

Primary Examiner — Sandra Snapp

(74) *Attorney, Agent, or Firm* — Heslin Rothenberg Farley & Mesiti P.C.

(57) **CLAIM**

The ornamental design for the seat, as shown and described.

DESCRIPTION

This application is related to commonly assigned, concurrently filed applications Ser. No. 29/411,779, and Ser. No. 29/411,785.

FIG. 1 is a perspective view of the seat of the present design; FIG. 2 is a right-side elevation view thereof, the left-side elevation being identical thereto; FIG. 3 is a front elevation view thereof, the rear elevation being a mirror image thereof; and, FIG. 4 is a top plan view thereof.

The broken-away symbols shown in the drawings indicate the appearance of any portion of the article between the break lines forms no part of the claimed design.

1 Claim, 4 Drawing Sheets

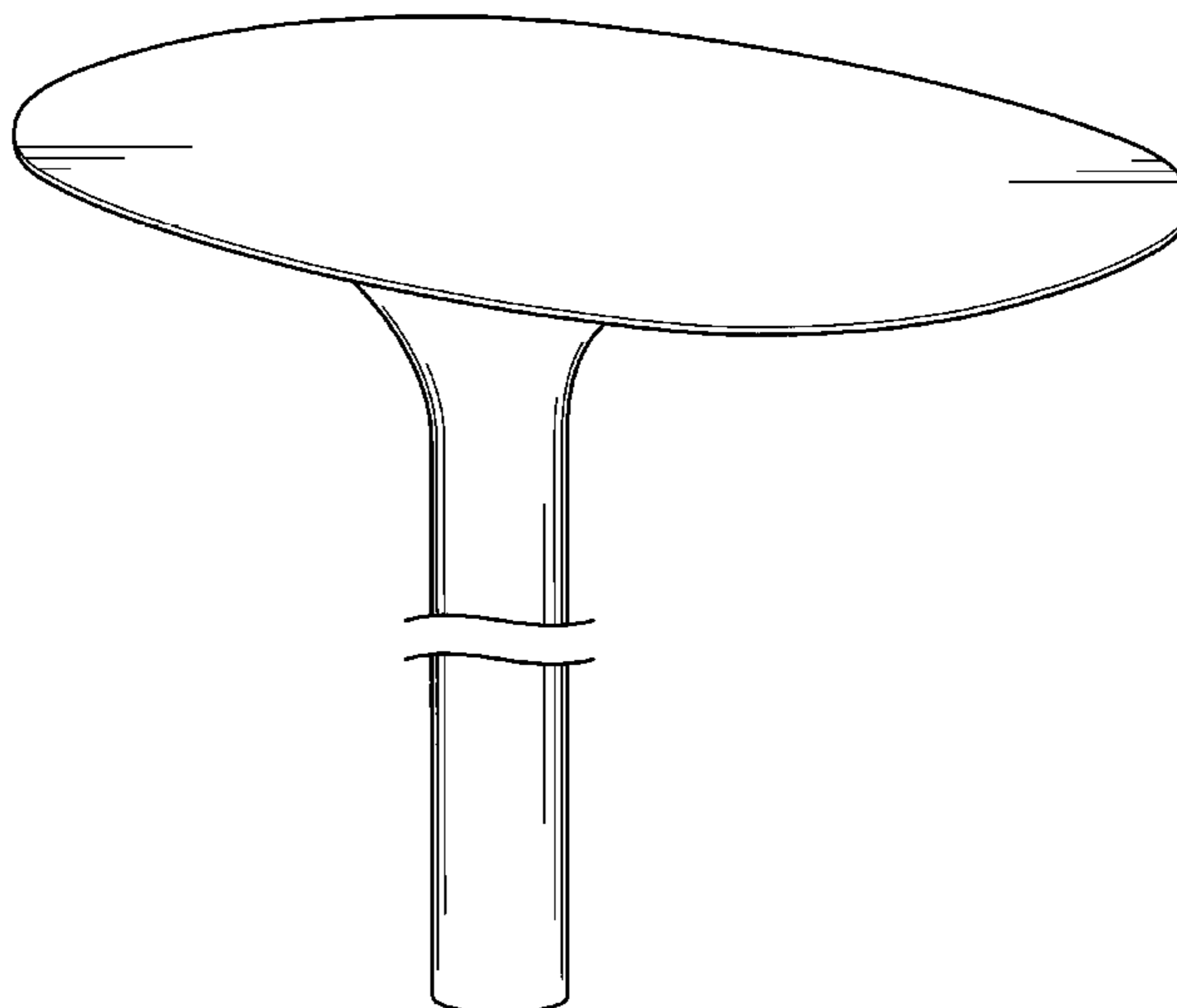
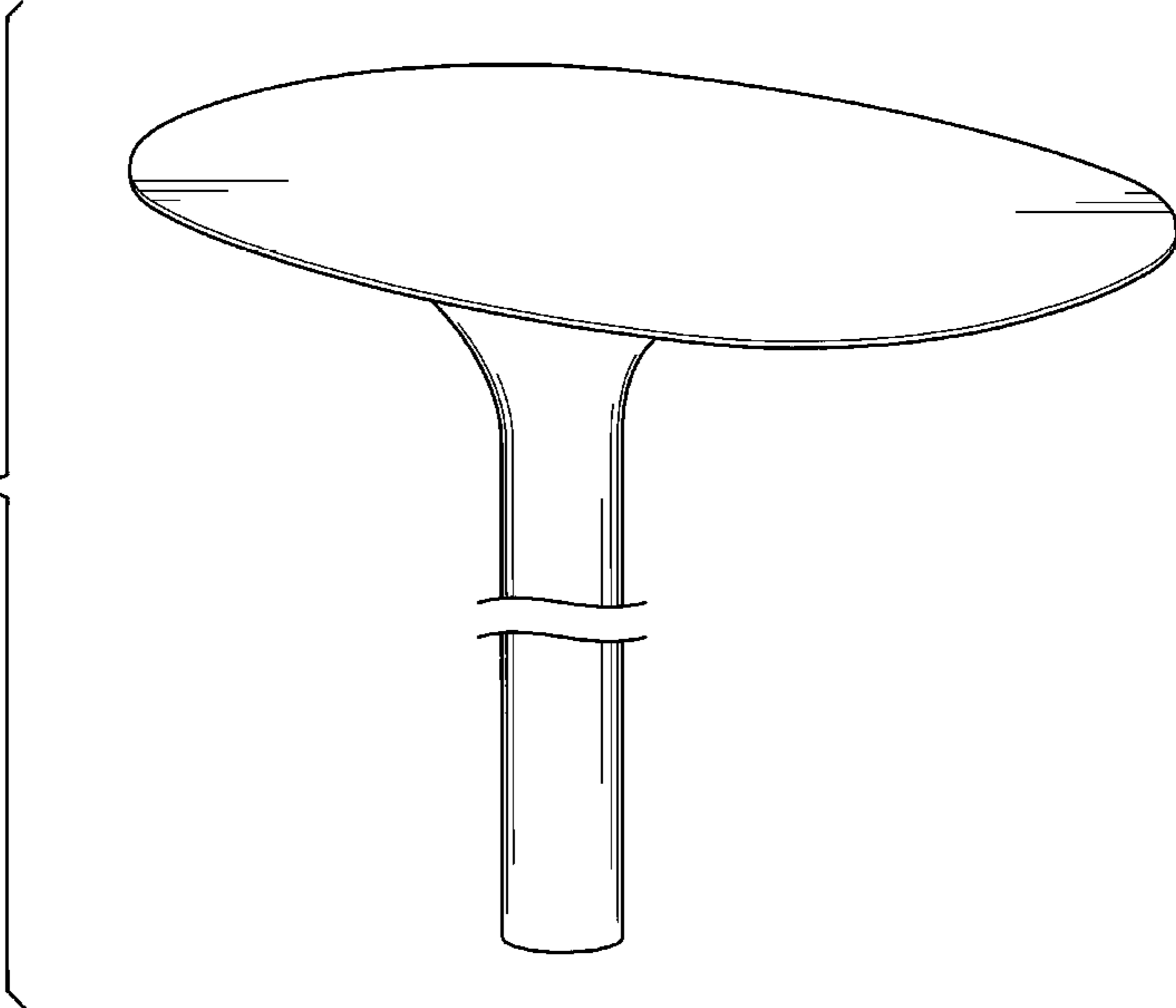


FIG. 1



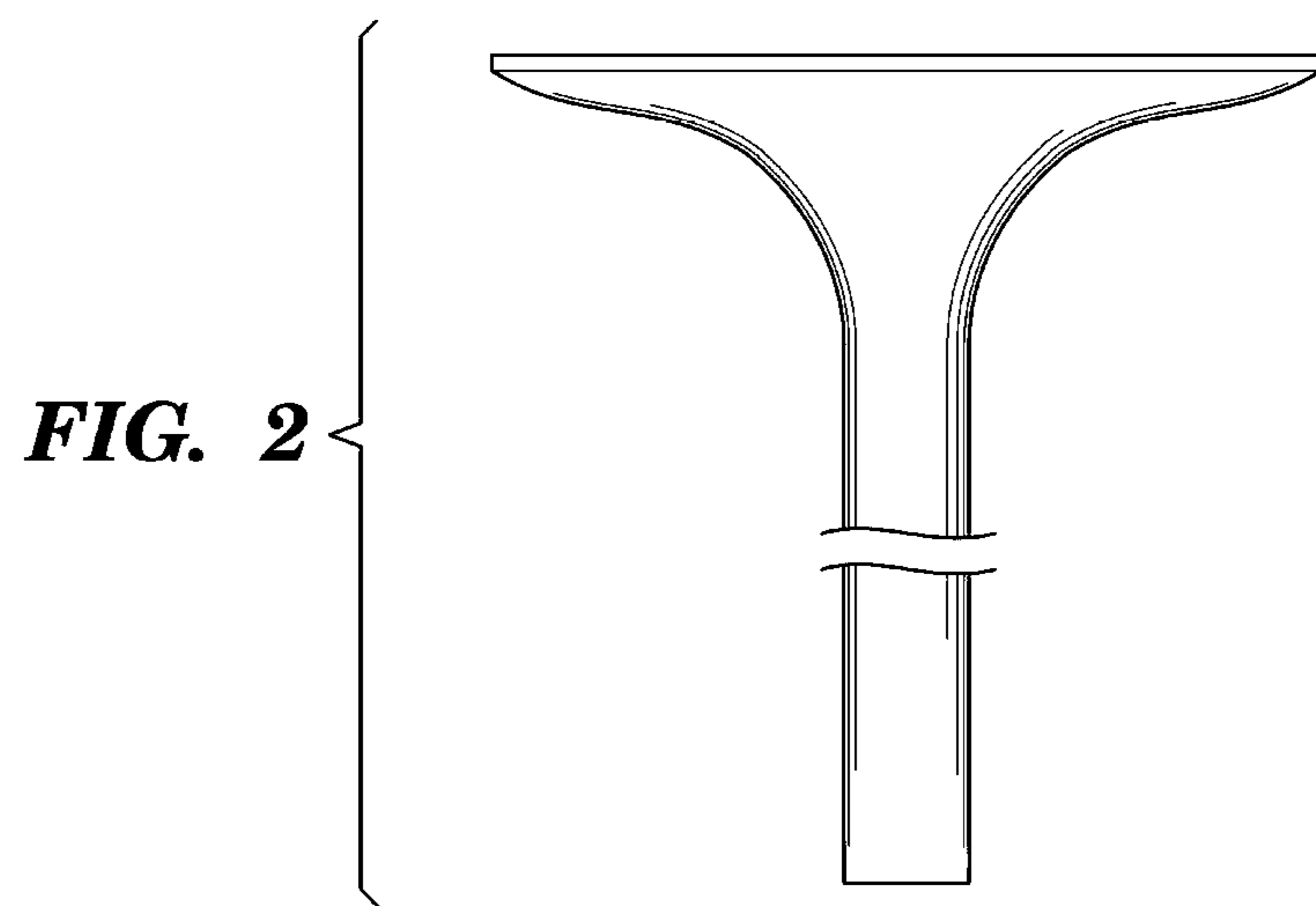
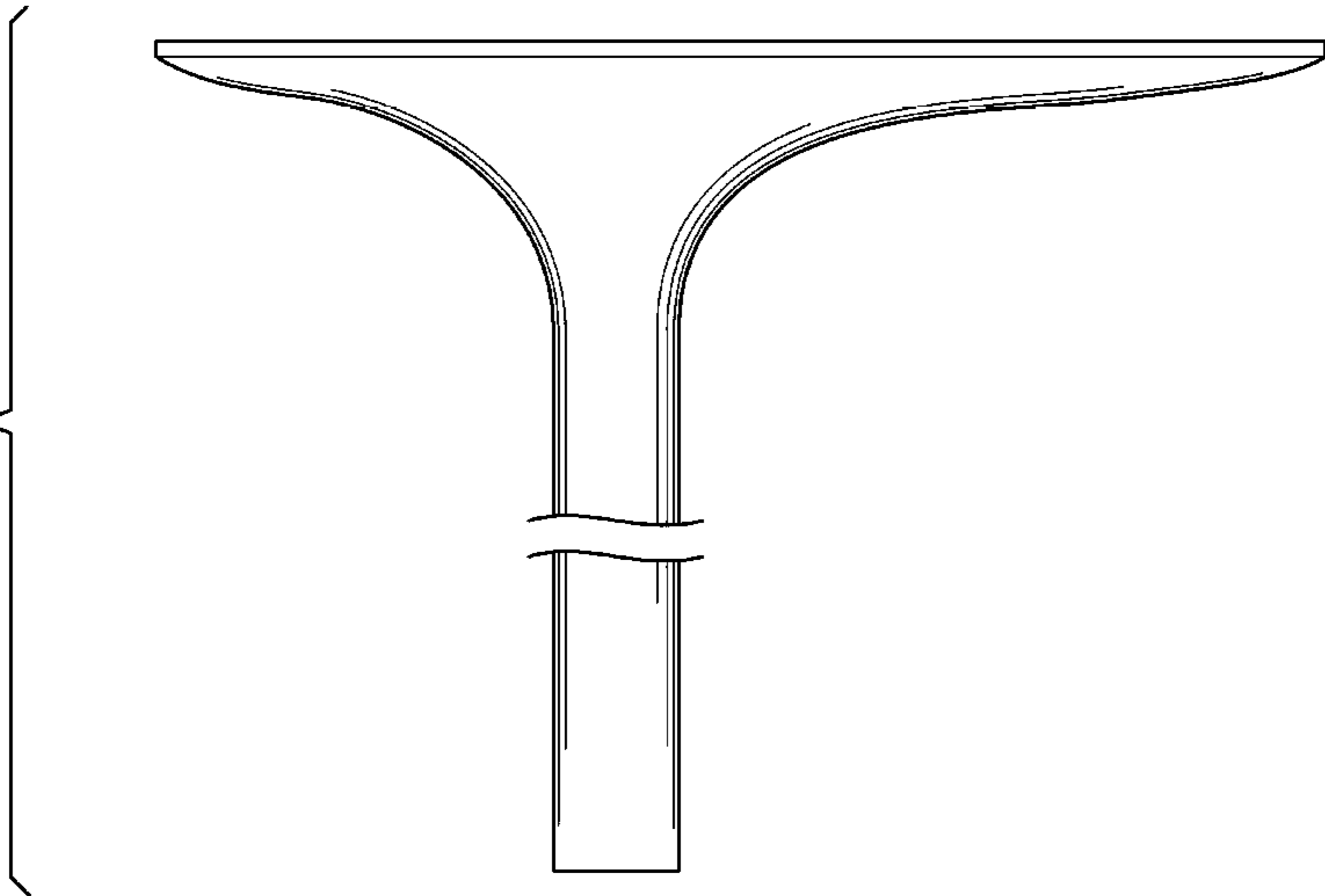


FIG. 3



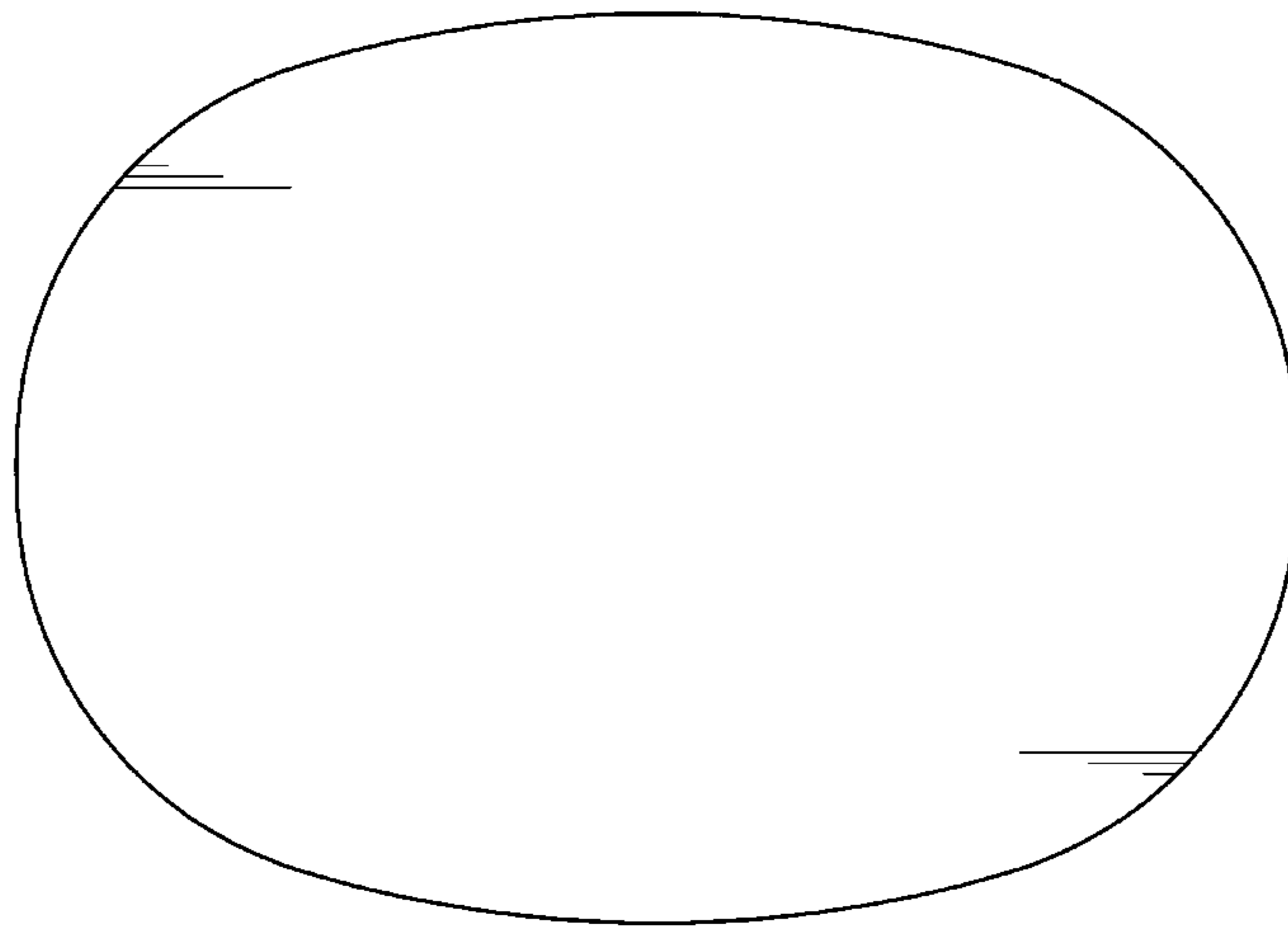


FIG. 4