



US00D689702S

(12) **United States Design Patent**  
**Levin et al.**

(10) **Patent No.:** **US D689,702 S**  
(45) **Date of Patent:** **\*\* Sep. 17, 2013**

(54) **HANGER FOR A PAIR OF THONG-TYPE SANDALS**

(71) Applicants: **Gregg M. Levin**, Boston, MA (US);  
**Guang Yu Gao**, Malden, MA (US)

(72) Inventors: **Gregg M. Levin**, Boston, MA (US);  
**Guang Yu Gao**, Malden, MA (US)

(\*\*) Term: **14 Years**

(21) Appl. No.: **29/421,927**

(22) Filed: **Oct. 22, 2012**

(51) **LOC (9) Cl.** ..... **06-08**

(52) **U.S. Cl.**

USPC ..... **D6/323**

(58) **Field of Classification Search**

USPC ..... D6/315-328; 223/85-98; 211/1,  
211/13.1, 34-38, 85.3, 86.01, 96, 105.2,  
211/106.1, 123, 124, 183; 248/317, 339;  
206/292

See application file for complete search history.

(56) **References Cited**

U.S. PATENT DOCUMENTS

D278,291	S *	4/1985	Gurule .....	D6/328
4,576,290	A *	3/1986	Zigman .....	211/34
4,669,615	A *	6/1987	Zigman .....	211/34
6,595,355	B1 *	7/2003	Hooper .....	206/292
8,177,075	B2 *	5/2012	Hathorn .....	211/34
2003/0222040	A1 *	12/2003	Boysen .....	211/96
2011/0247185	A1 *	10/2011	Bolden et al. ....	24/716

\* cited by examiner

*Primary Examiner* — Derrick Holland

*Assistant Examiner* — Lauren Calve

(74) *Attorney, Agent, or Firm* — William Nitkin

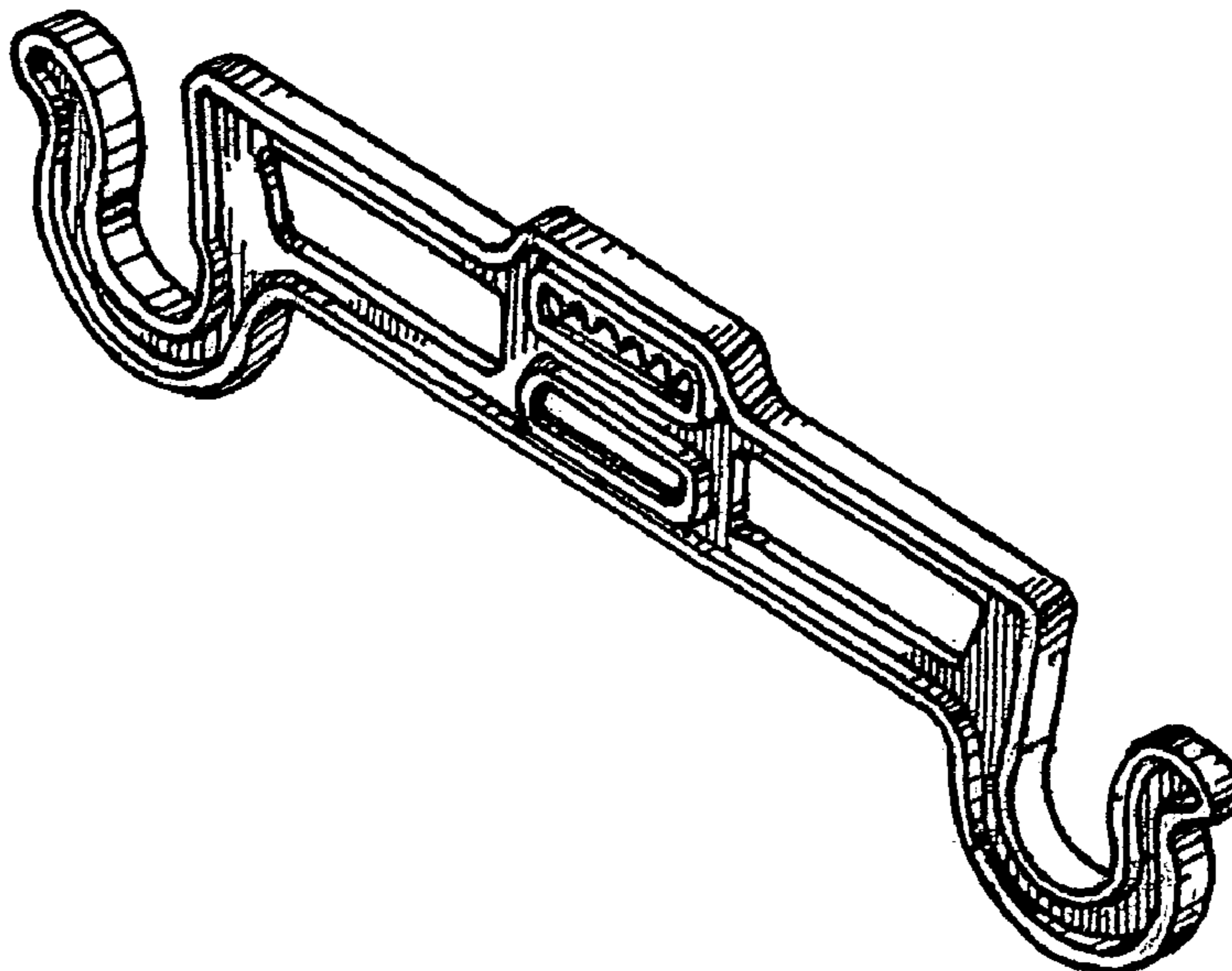
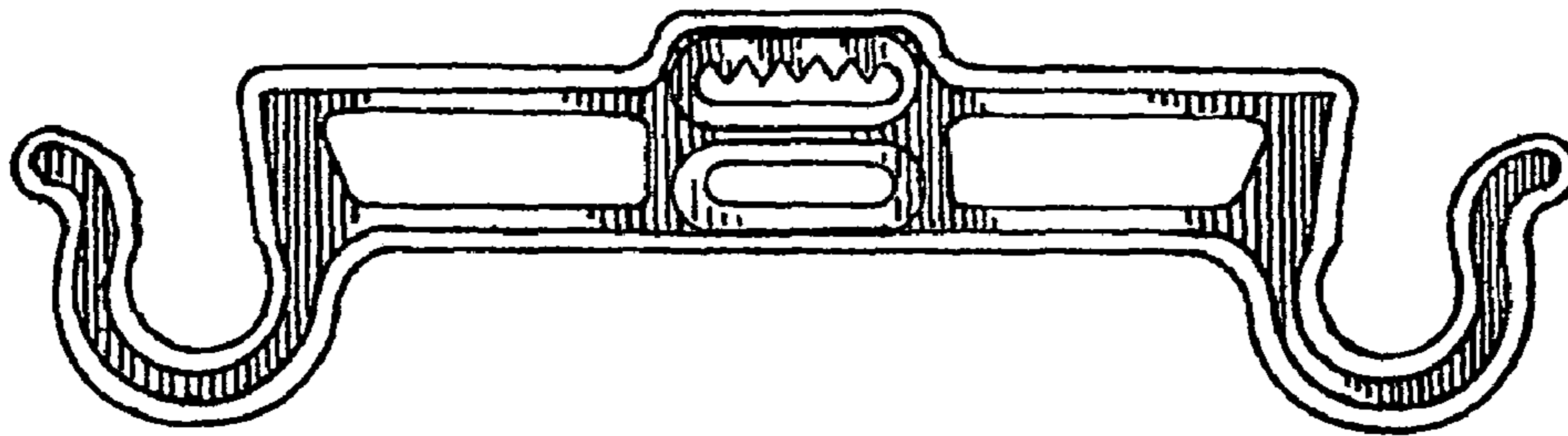
(57) **CLAIM**

The ornamental design for a hanger for a pair of thong-type sandals, as shown and described.

**DESCRIPTION**

FIG. 1 is a front elevational view of a hanger for a pair of thong-type sandals showing our new design; FIG. 2 is a rear elevational view thereof; FIG. 3 is a top plan view thereof; FIG. 4 is a bottom plan view thereof; FIG. 5 is a left side elevational view thereof; FIG. 6 is a right side elevational view thereof; and, FIG. 7 is a perspective view thereof.

**1 Claim, 3 Drawing Sheets**



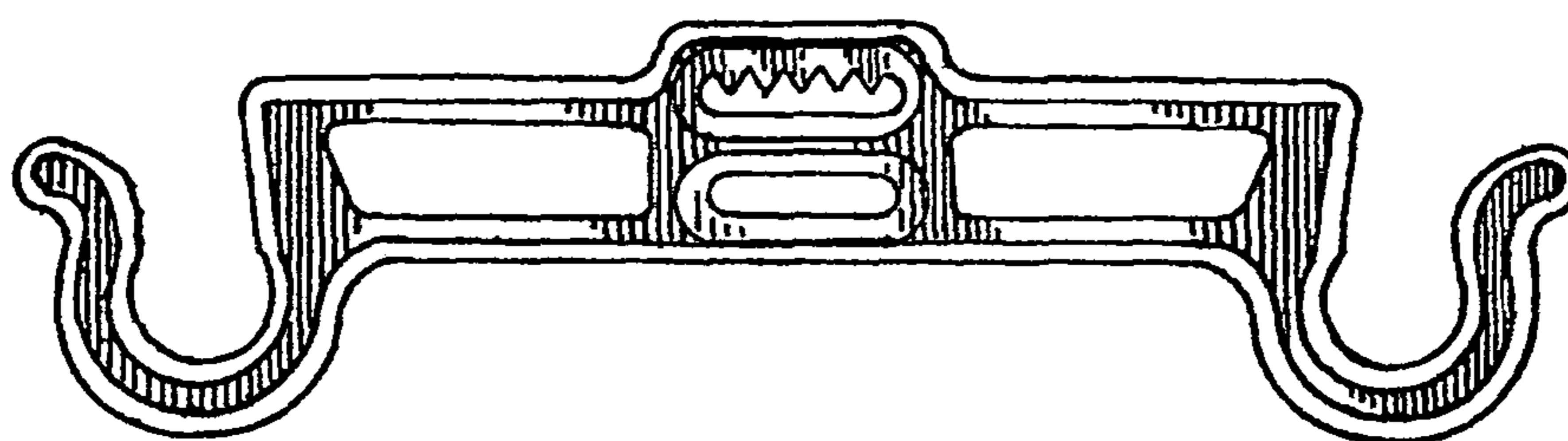


FIG. 1

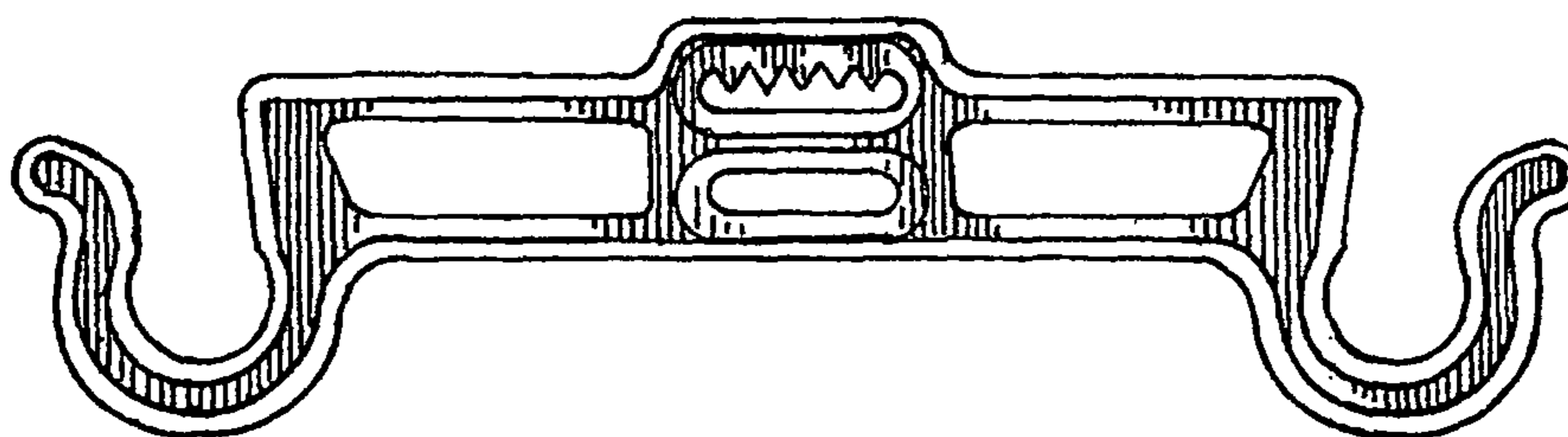


FIG. 2



FIG. 3



FIG. 4



FIG. 5



FIG. 6

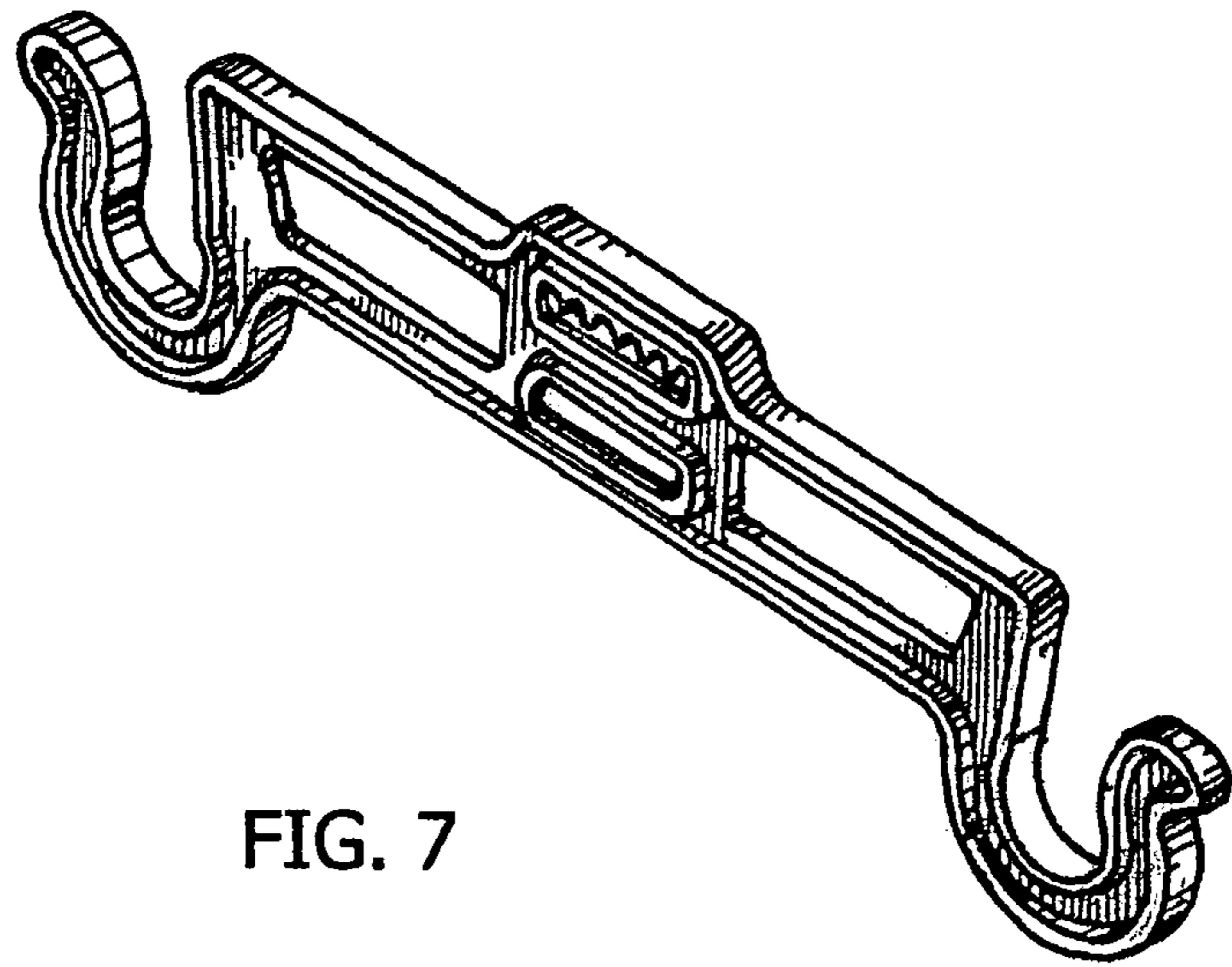


FIG. 7