



US00D689700S

(12) **United States Design Patent**  
**Lee et al.**

(10) **Patent No.:** **US D689,700 S**  
(45) **Date of Patent:** **\*\* Sep. 17, 2013**

(54) **DISH BRUSH**

(71) Applicant: **Robinson Home Products Inc.**,  
Williamsville, NY (US)

(72) Inventors: **Stuart Harvey Lee**, Forest Hills, NY  
(US); **Inbal Zahaua Aderka**, Brooklyn,  
NY (US); **Jenna Marie Edgermon**,  
Brooklyn, NY (US)

(73) Assignee: **Robinson Home Products Inc.**,  
Williamsville, NY (US)

(\*\*) Term: **14 Years**

(21) Appl. No.: **29/447,373**

(22) Filed: **Mar. 1, 2013**

(51) **LOC (9) Cl.** ..... **04-01**

(52) **U.S. Cl.**  
USPC ..... **D4/114; D4/135**

(58) **Field of Classification Search**  
USPC ..... D4/114, 132, 133, 135, 136, 138;  
D32/35, 45, 52; 15/143.1, 159.1, 160, 186-188;  
401/136, 137, 183, 184, 186, 187, 188 R,  
401/268, 270, 272, 273, 276, 278, 279, 286,  
401/288, 291; D24/214, 215  
See application file for complete search history.

(56) **References Cited**

**U.S. PATENT DOCUMENTS**

D96,695 S *	8/1935	Porter	.....	D4/135
D157,248 S *	2/1950	Fay	.....	D4/135
D326,778 S *	6/1992	Vetter	.....	D4/114
D438,013 S *	2/2001	Hay	.....	D4/114
D439,052 S *	3/2001	Hay	.....	D4/114

D439,053 S *	3/2001	Hay	.....	D4/114
6,224,283 B1 *	5/2001	Hay	.....	401/145
D477,917 S *	8/2003	Giacolo et al.	.....	D4/114
D574,152 S *	8/2008	Holcomb et al.	.....	D4/114
D621,161 S *	8/2010	Griffith	.....	D4/114

**FOREIGN PATENT DOCUMENTS**

EP 1508284 A1 \* 2/2005

\* cited by examiner

*Primary Examiner* — Melanie H Tung  
*Assistant Examiner* — Lavone D Tabor

(74) *Attorney, Agent, or Firm* — Florek & Endres PLLC

(57) **CLAIM**

We claim the ornamental design for a dish brush, as shown and described.

**DESCRIPTION**

FIG. 1 is a perspective view of the dish brush of the present invention.

FIG. 2 is a front elevation view of the dish brush of the present invention.

FIG. 3 is a rear elevation view of the dish brush of the present invention.

FIG. 4 is a left side elevation view of the dish brush of the present invention.

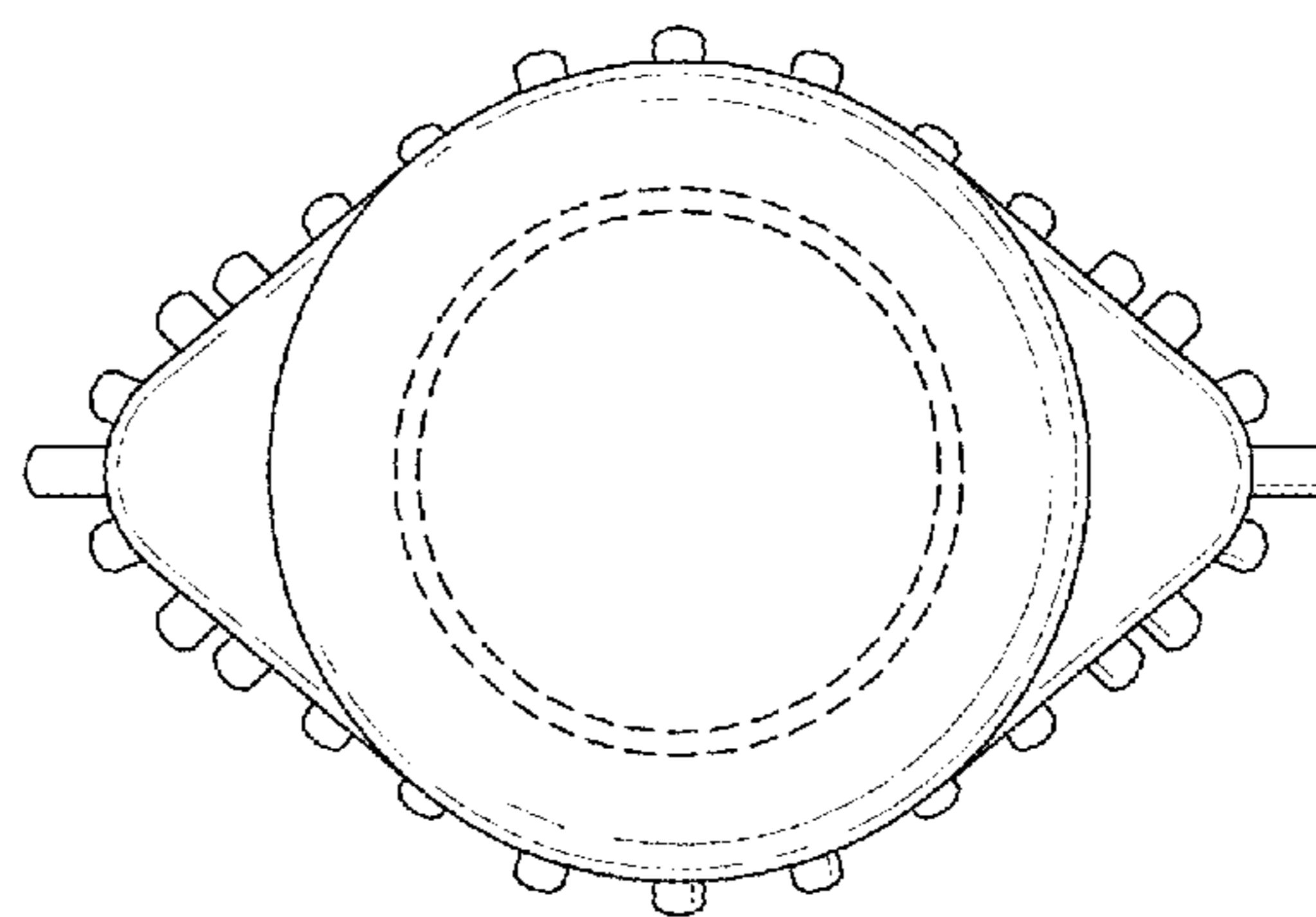
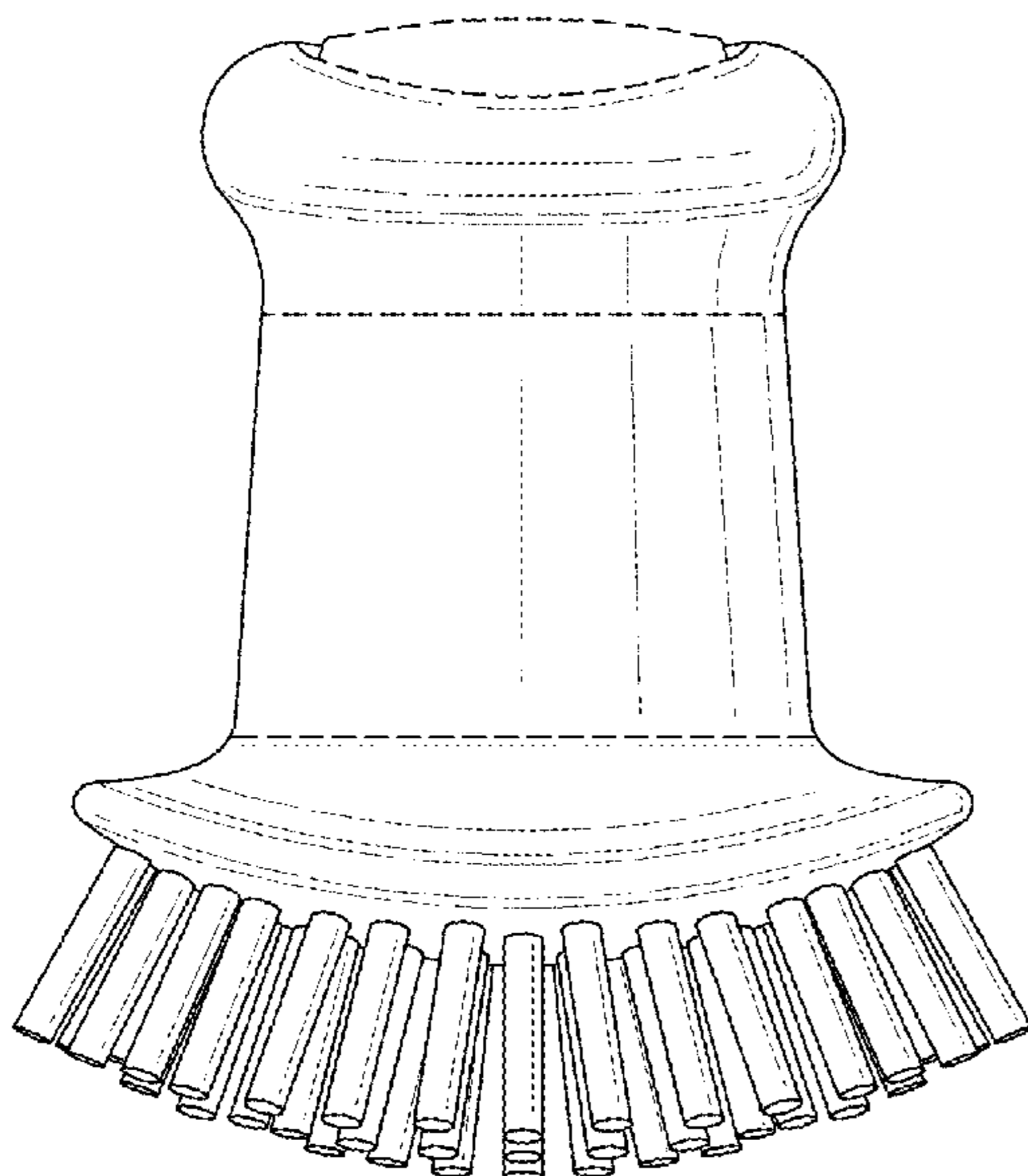
FIG. 5 is a right side elevation view of the dish brush of the present invention.

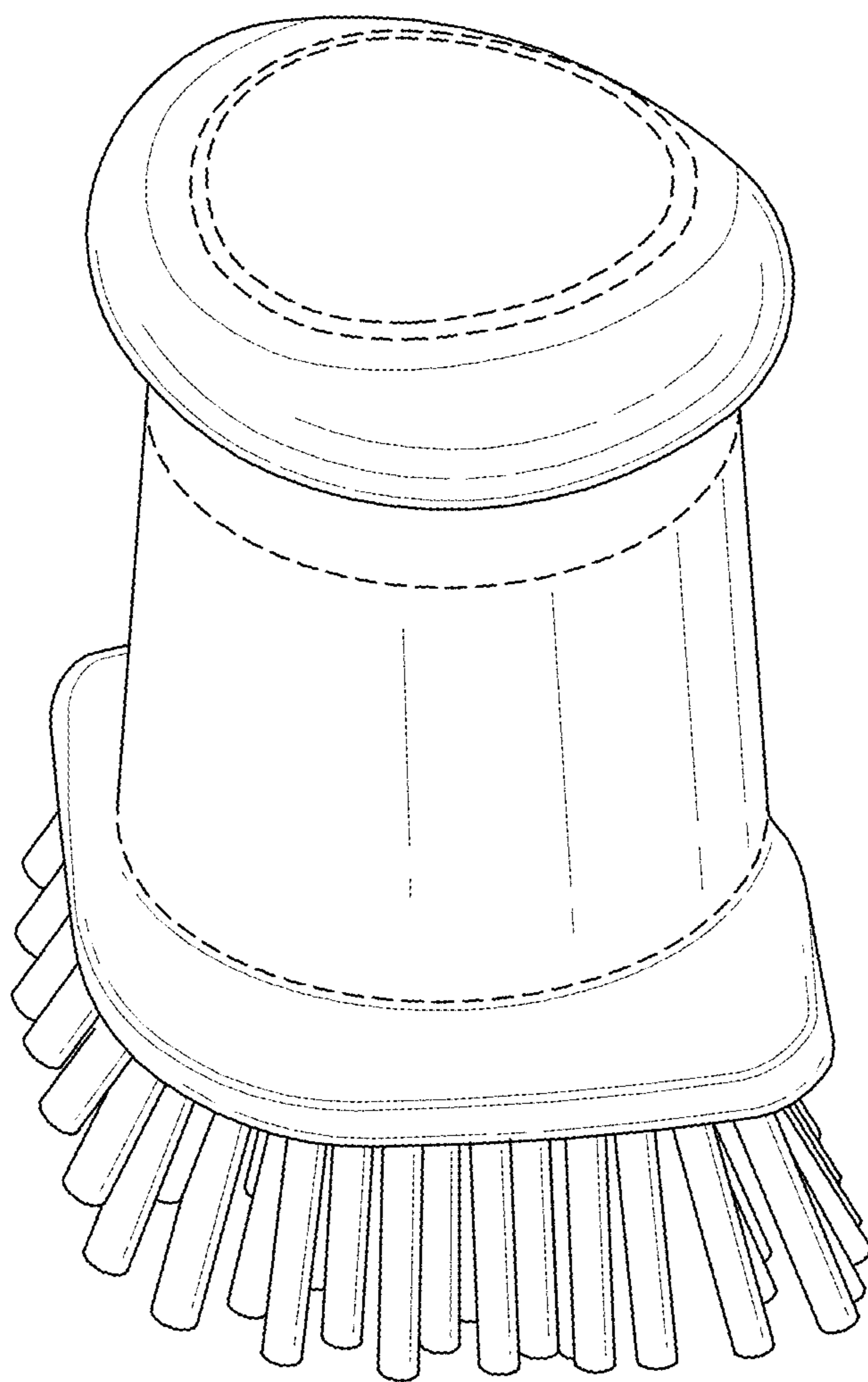
FIG. 6 is a top plan view of the dish brush of the present invention; and,

FIG. 7 is a bottom plan view of the dish brush of the present invention.

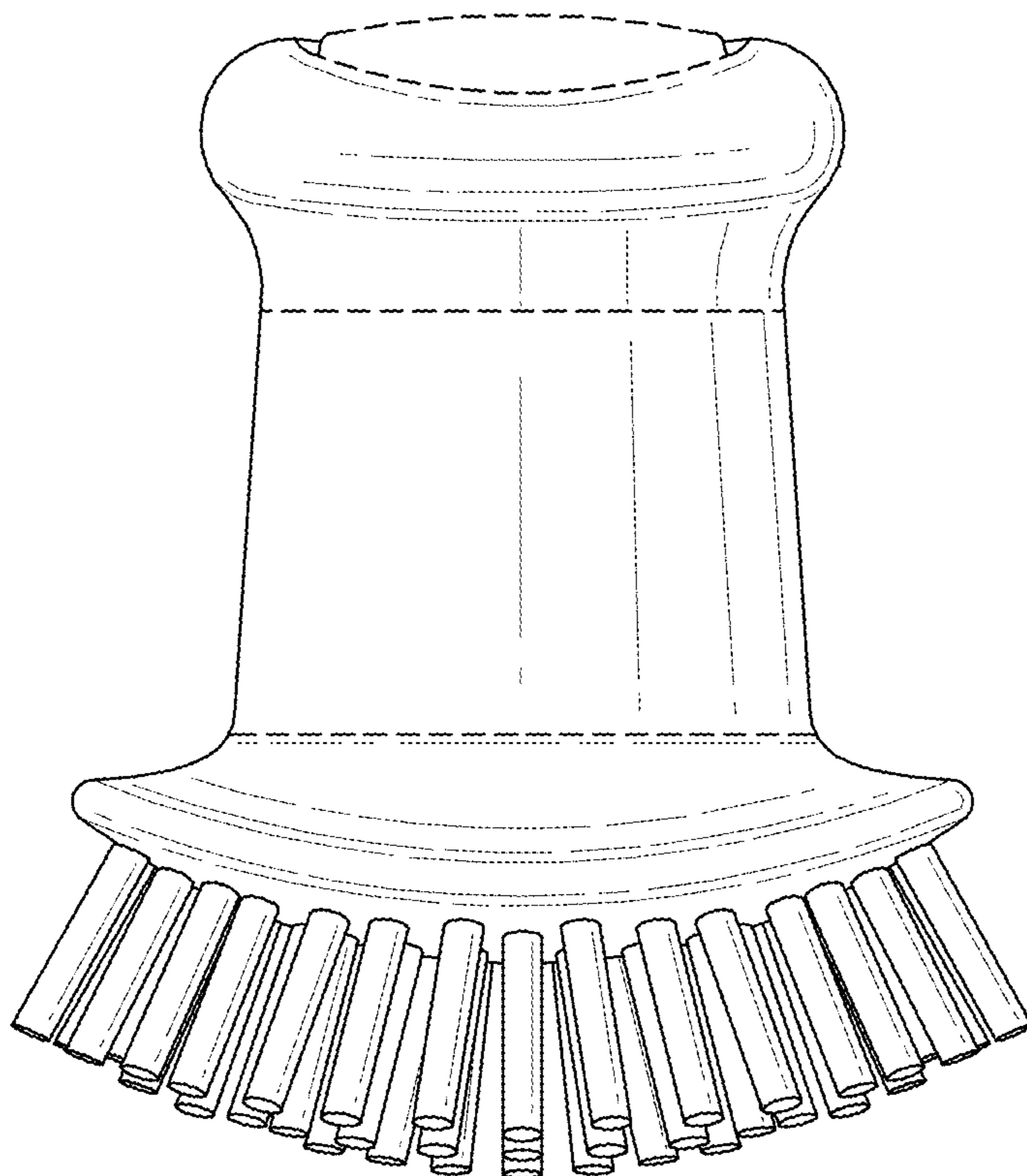
The broken lines illustrate features of the dish brush that form no part of the claimed design.

**1 Claim, 5 Drawing Sheets**

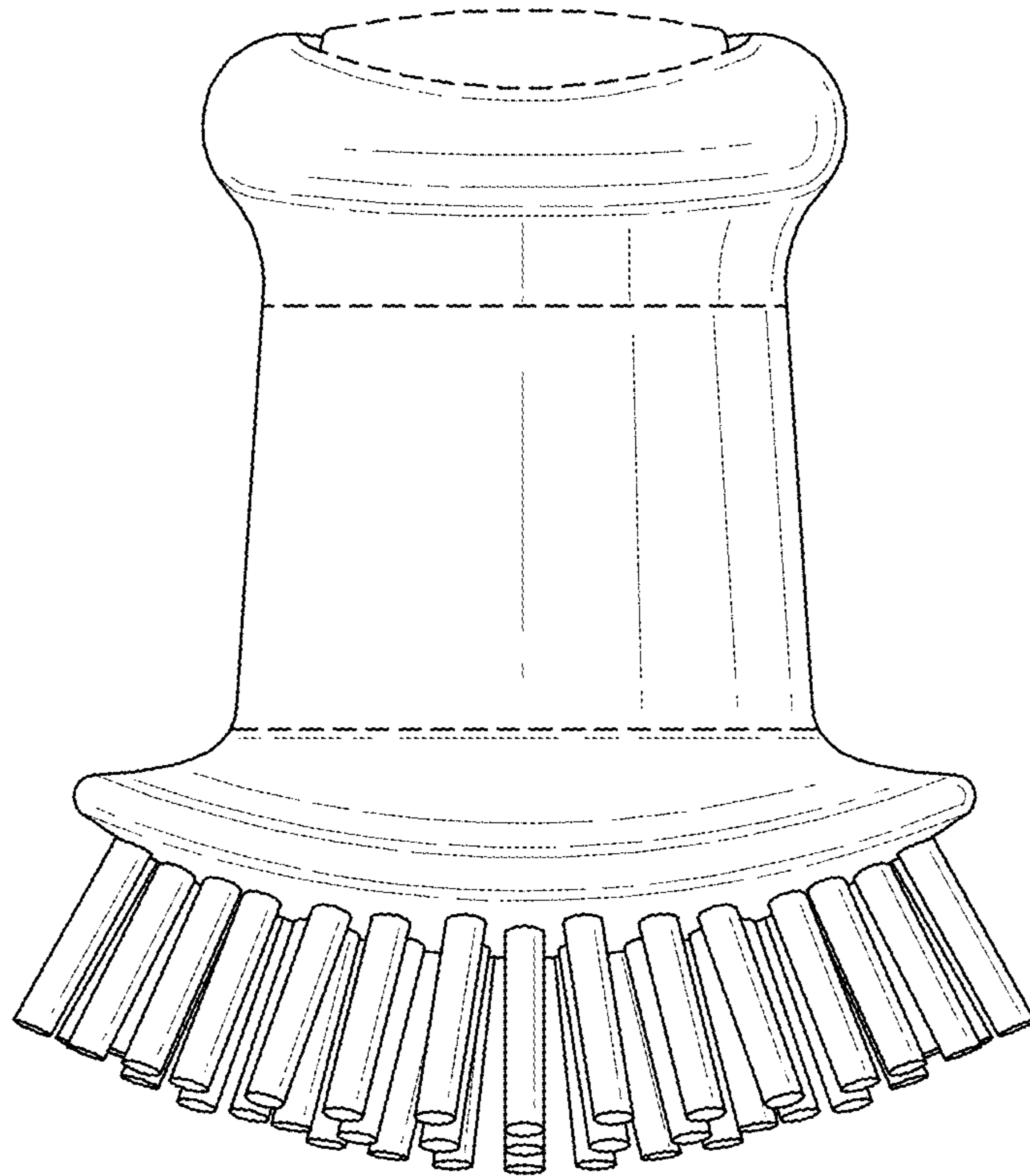




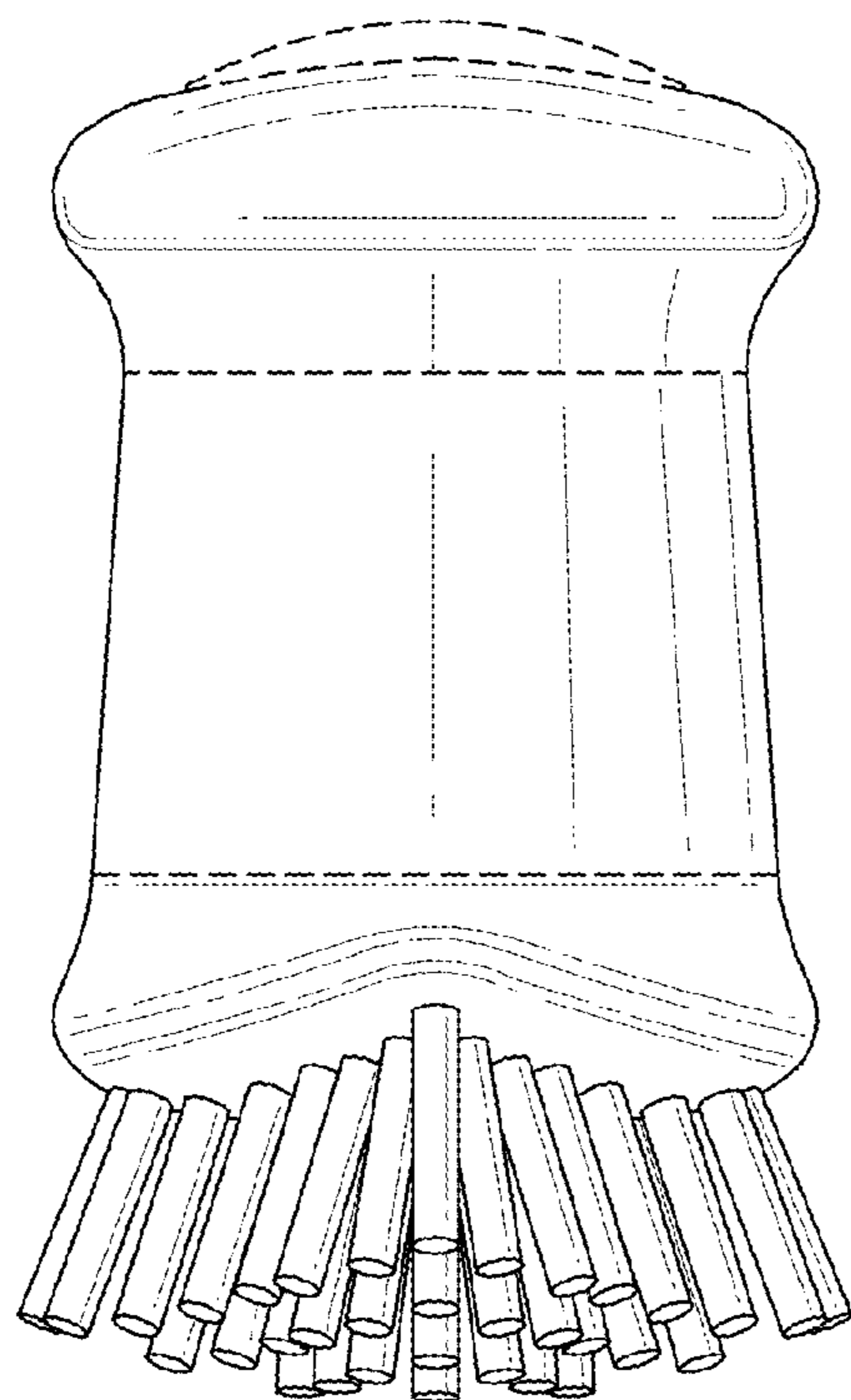
**FIG. 1**



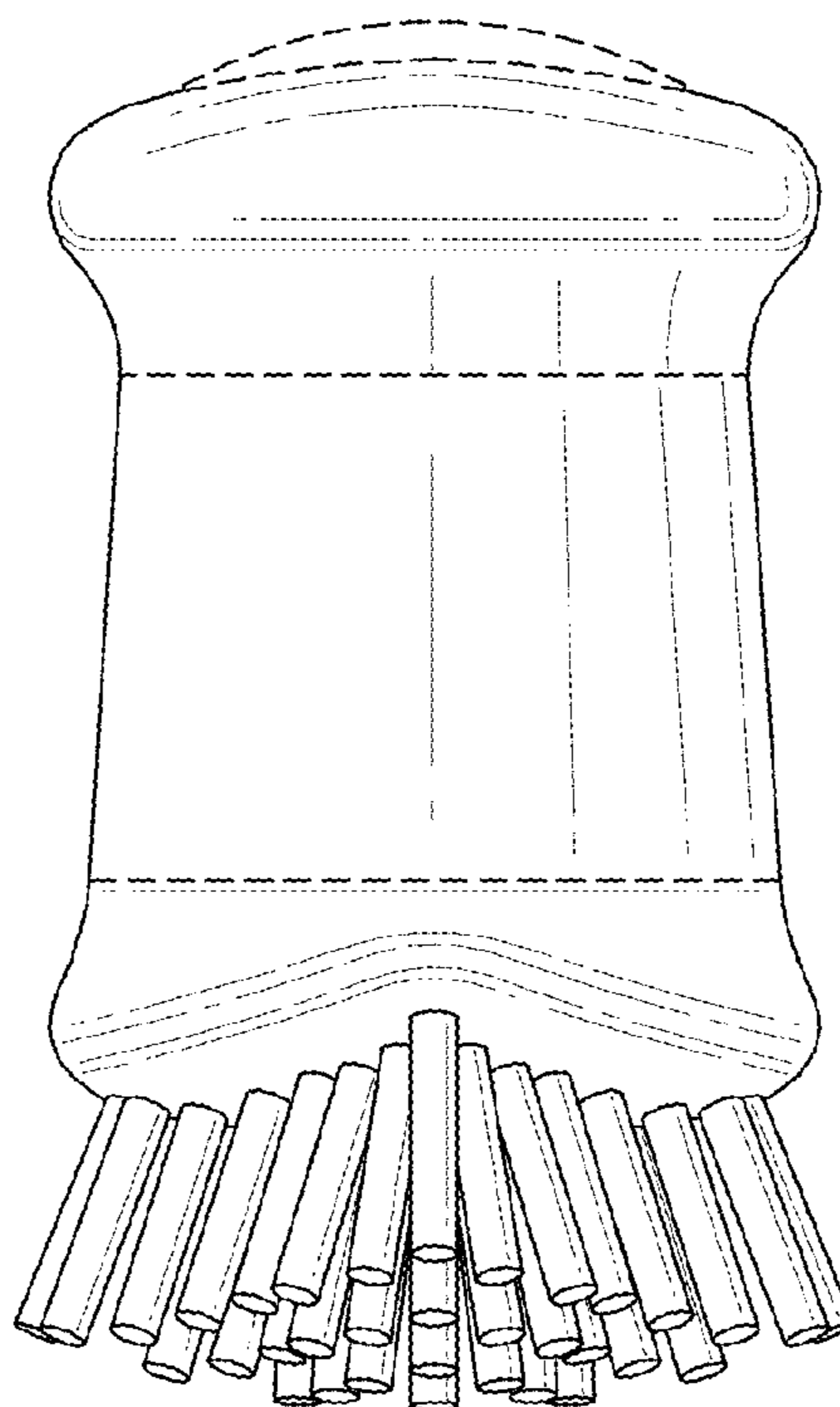
*FIG. 2*



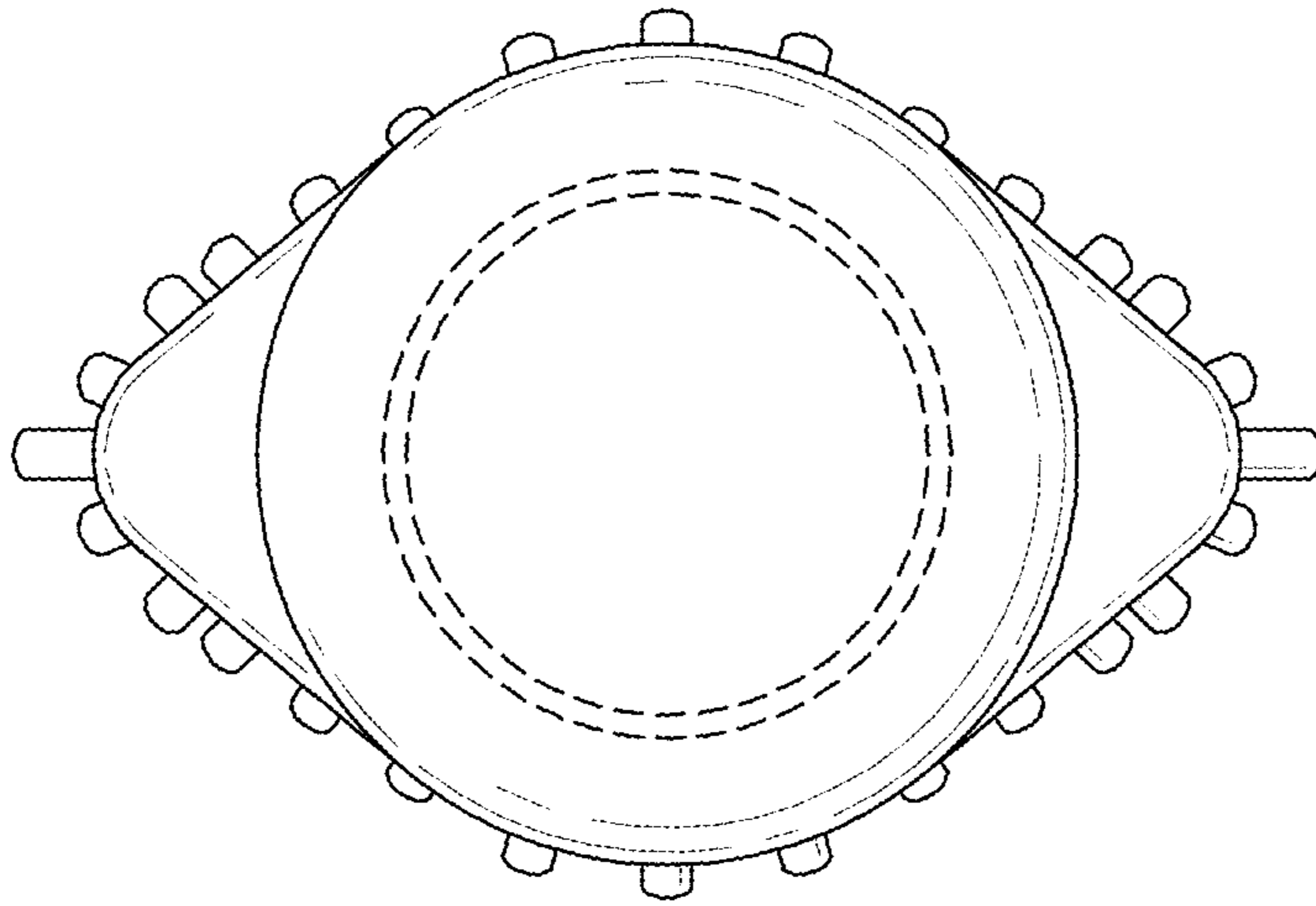
*FIG. 3*



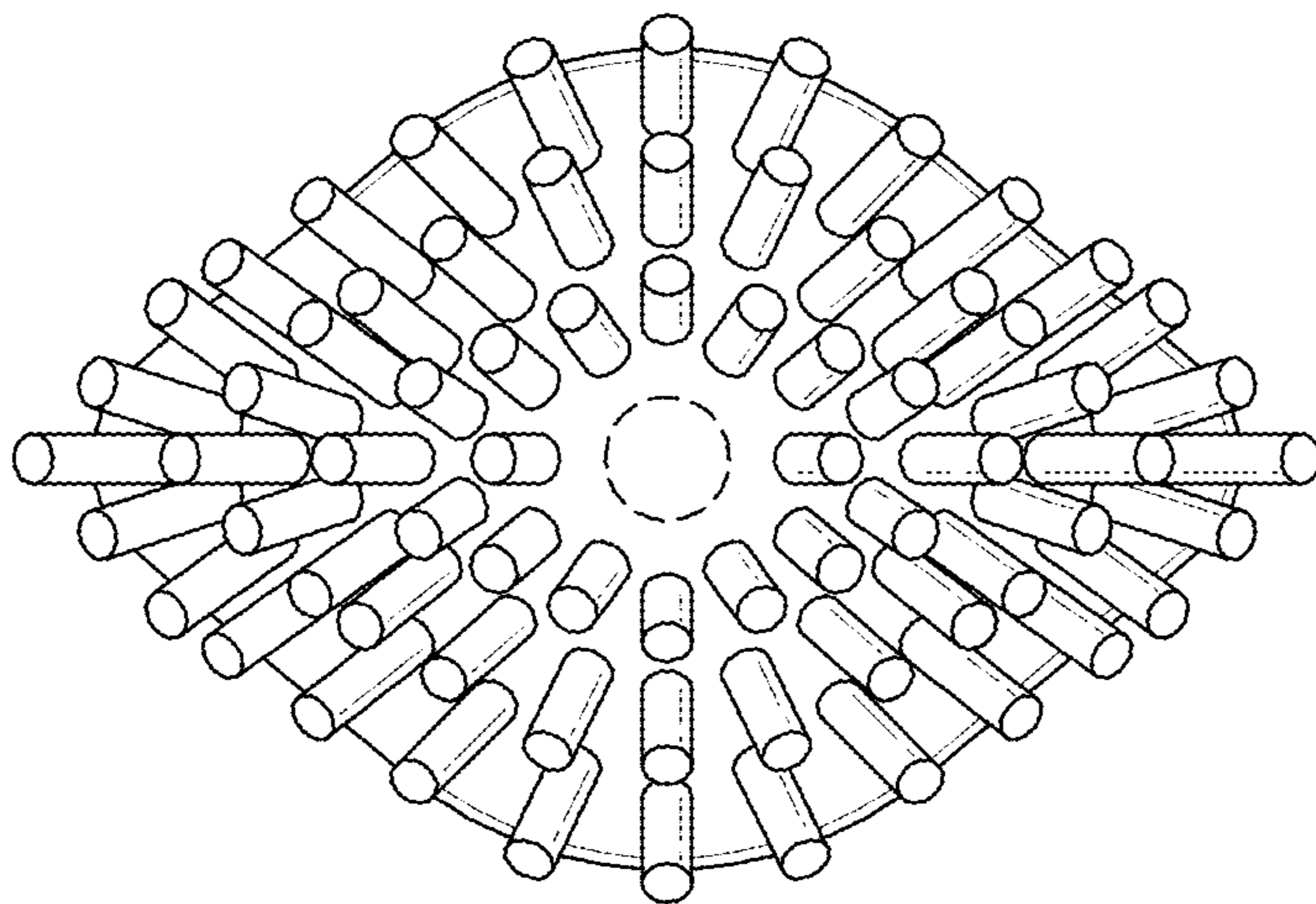
**FIG. 4**



**FIG. 5**



*FIG. 6*



*FIG. 7*