



US00D689697S

(12) **United States Design Patent**  
**Doumoto et al.**

(10) **Patent No.:** **US D689,697 S**

(45) **Date of Patent:** **\*\* Sep. 17, 2013**

(54) **ELECTRIC TOOTHBRUSH WITH CAP**

(75) Inventors: **Kana Doumoto**, Tokyo (JP); **Naoki Yamaguchi**, Hikone (JP)

(73) Assignee: **Panasonic Corporation**, Kadoma-shi (JP)

(\*\*) Term: **14 Years**

(21) Appl. No.: **29/413,018**

(22) Filed: **Feb. 9, 2012**

(30) **Foreign Application Priority Data**

Sep. 30, 2011 (JP) ..... 2011-022413

(51) **LOC (9) Cl.** ..... **28-03**

(52) **U.S. Cl.**  
USPC ..... **D4/101; D4/108**

(58) **Field of Classification Search**  
USPC ..... D4/101, 104–112, 121, 138; 15/110, 15/143.1, 145, 159.1, 160, 167.1, 167.2, 15/184; 132/308–311; 601/139, 141, 142; D8/61; D24/133, 152; 81/57.11, 57.14, 81/57.31, 57.42; D28/76, 88–90  
See application file for complete search history.

(56) **References Cited**

**U.S. PATENT DOCUMENTS**

D203,928 S \* 3/1966 Terrell ..... D4/101  
D234,747 S \* 4/1975 Sanders ..... D4/116

(Continued)

**FOREIGN PATENT DOCUMENTS**

CN 301516789 4/2011  
EM 001278915-0001 1/2011

(Continued)

**OTHER PUBLICATIONS**

CN 301454652 Registered Design, (Wu, Chuida) Feb. 2, 2012, [online], [retrieved on Oct. 3, 2012] Retrieved from the Questel

Intellectual Property Portal Design Database using the Internet:  
<URL: <http://www.orbit.com>>.\*

*Primary Examiner* — Melanie H Tung

*Assistant Examiner* — Lavone D Tabor

(74) *Attorney, Agent, or Firm* — Marvin A. Motsenbocker; Mots Law, PLLC

(57) **CLAIM**

The ornamental design for an electric toothbrush with cap, as shown and described.

**DESCRIPTION**

FIG. 1 is a front perspective view of an electric toothbrush with cap;

FIG. 2 is a front view thereof;

FIG. 3 is a right side view thereof, the left side being a mirror image;

FIG. 4 is an enlarged top plan view thereof;

FIG. 5 is a rear view thereof;

FIG. 6 is an enlarged bottom plan view thereof;

FIG. 7 is front perspective view thereof with the cap omitted for clarity of illustration only;

FIG. 8 is a rear perspective view of the design as shown in FIG. 7;

FIG. 9 is a front view of the design as shown in FIG. 7;

FIG. 10 is a right side view of the design as shown in FIG. 7, the left side being a mirror image;

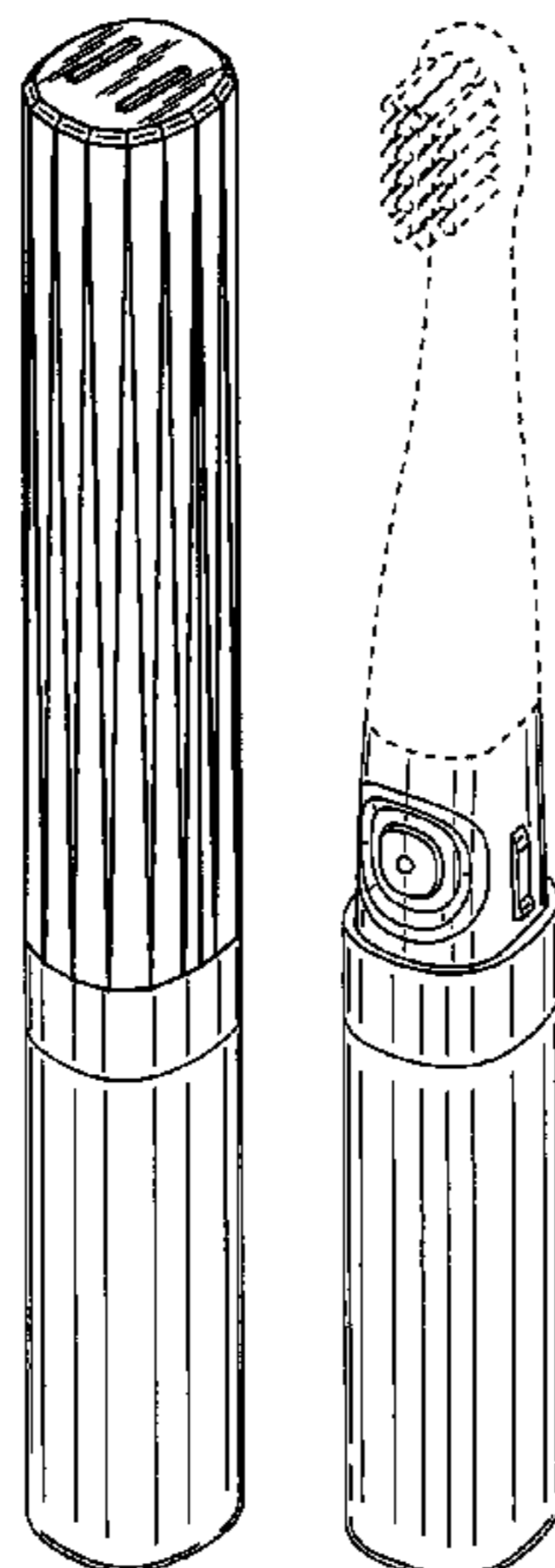
FIG. 11 is an enlarged top plan view of the design as shown in FIG. 7;

FIG. 12 is a rear view of the design as shown in FIG. 7; and,

FIG. 13 is an enlarged bottom plan view of the design as shown in FIG. 7.

The portions of the article in broken lines are shown for illustrative purposes only and form no part of the claimed design.

**1 Claim, 13 Drawing Sheets**



(56)

**References Cited**

**FOREIGN PATENT DOCUMENTS**

**U.S. PATENT DOCUMENTS**

D303,733 S \* 10/1989 Benichou ..... D4/108  
D318,375 S \* 7/1991 Bennett ..... D4/108  
D425,259 S \* 5/2000 Lang ..... D28/89  
D437,118 S \* 2/2001 Cheng ..... D4/108  
D439,413 S \* 3/2001 Klein ..... D4/108  
D580,597 S \* 11/2008 Mascotte et al. .... D28/76

HK 1000893.4 7/2010  
JP D1400004 11/2010  
JP D1415216 6/2011  
JP D1415563 6/2011  
JP 1420017 S \* 8/2011  
KR 30-0600907-1 6/2011  
KR 30-0600907 12/2011

\* cited by examiner

Fig. 1



Fig.2



Fig.3

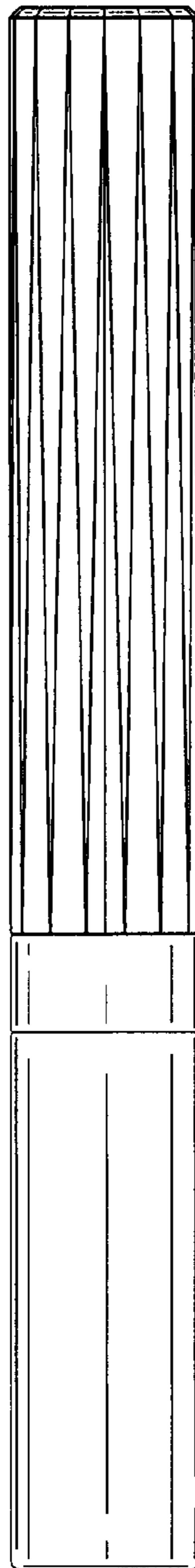


Fig.4

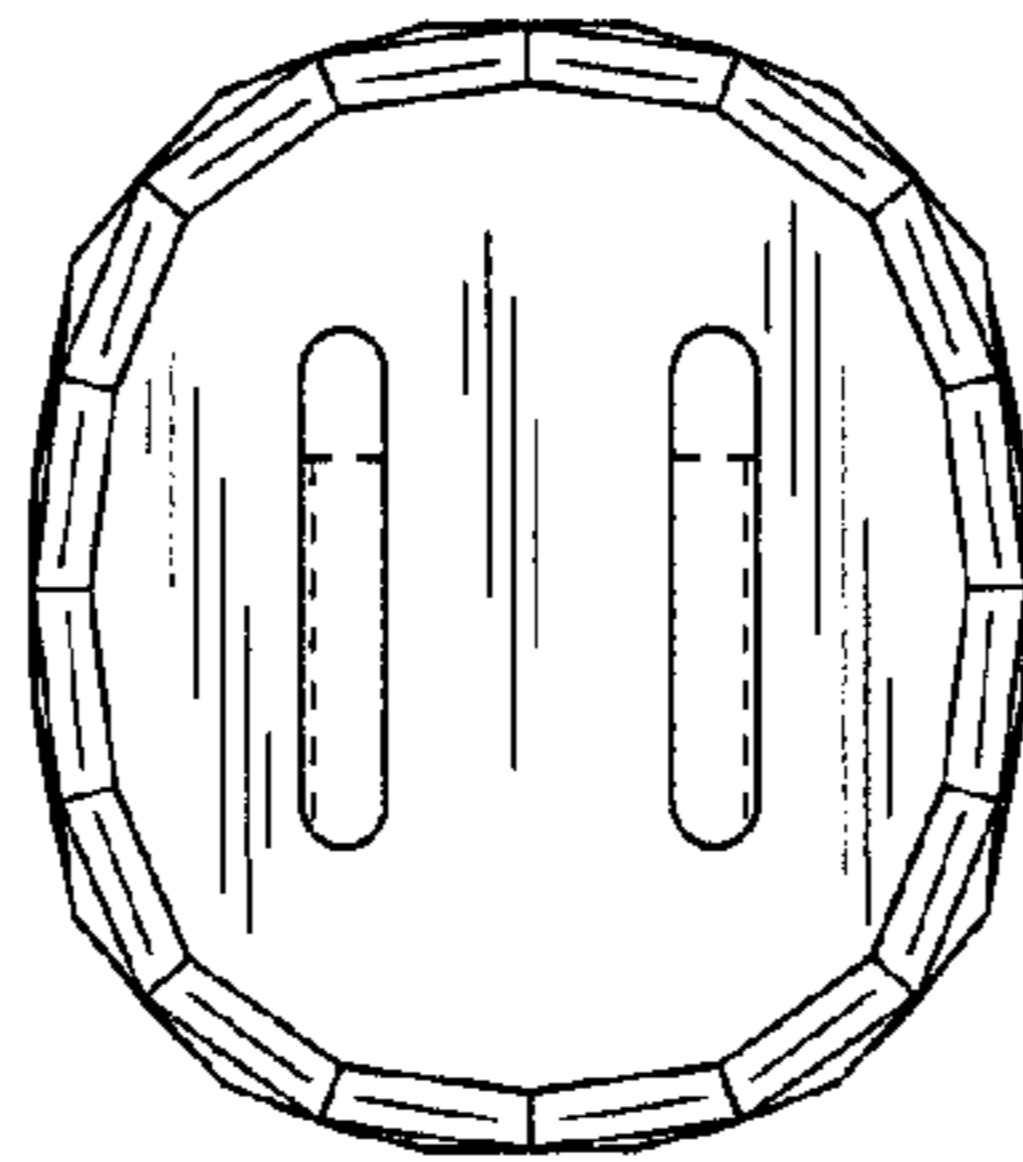


Fig.5

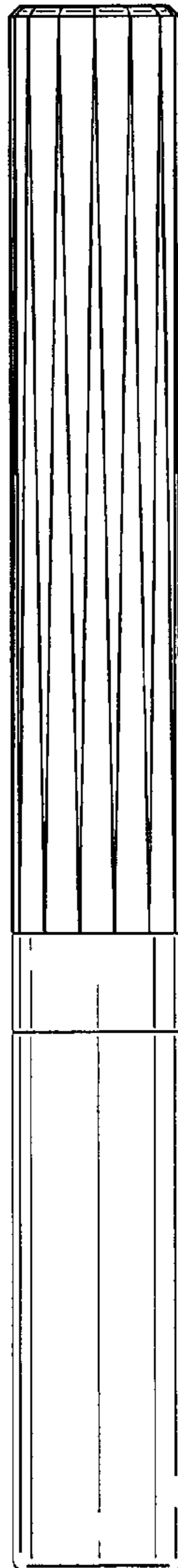


Fig.6

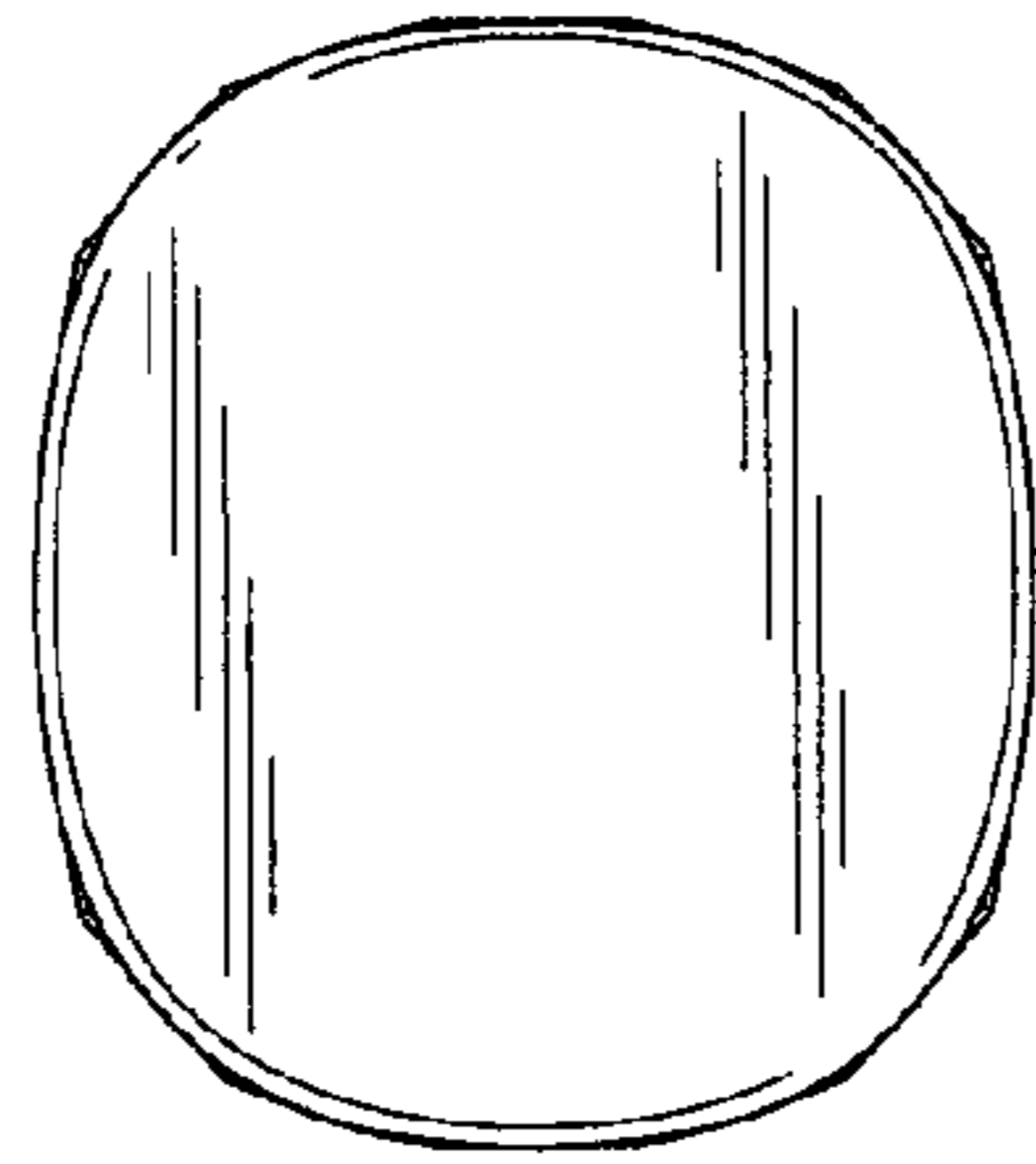




Fig.7

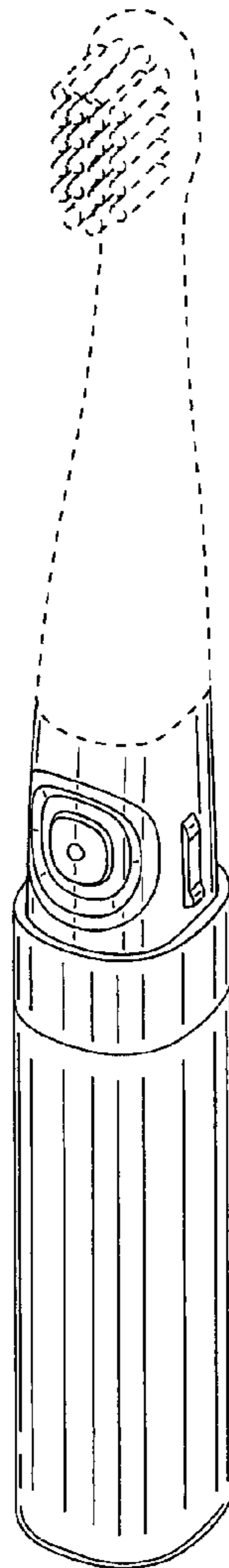


Fig.8

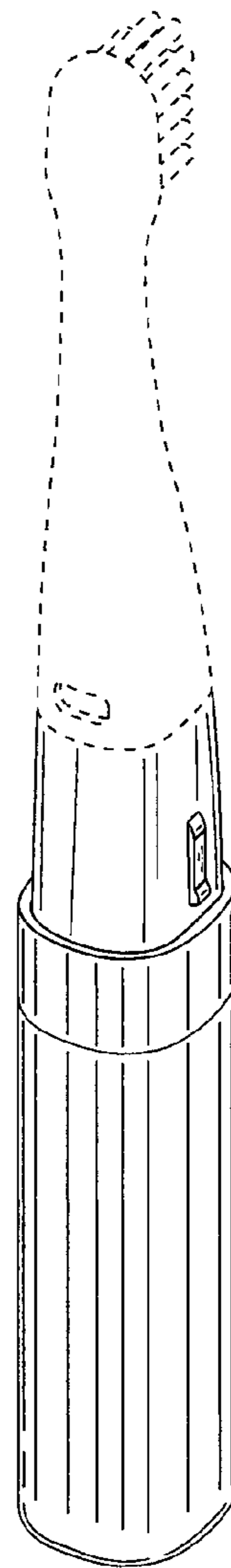


Fig.9

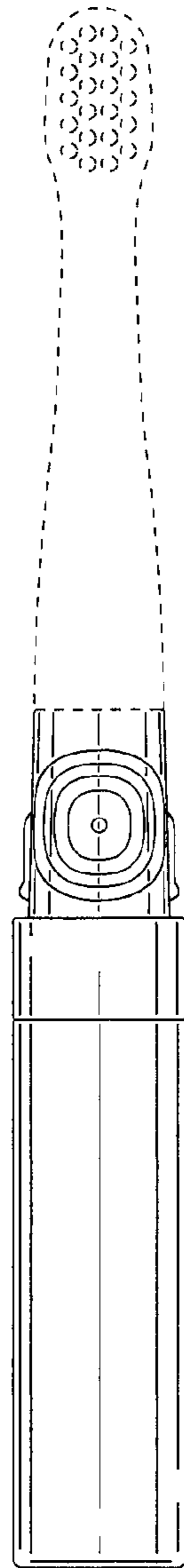


Fig.10

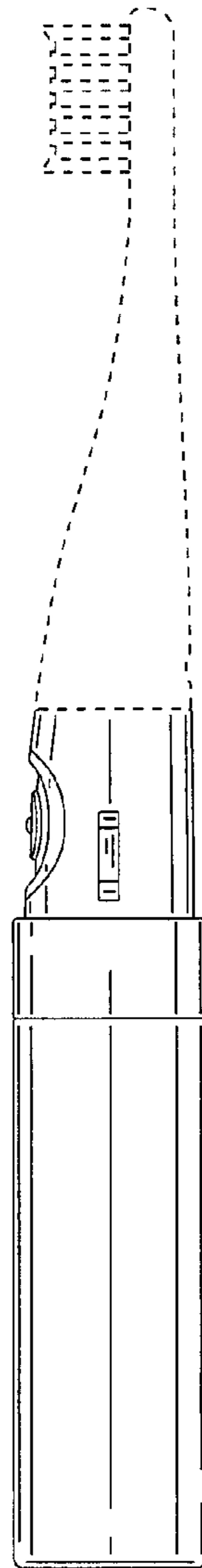


Fig.11

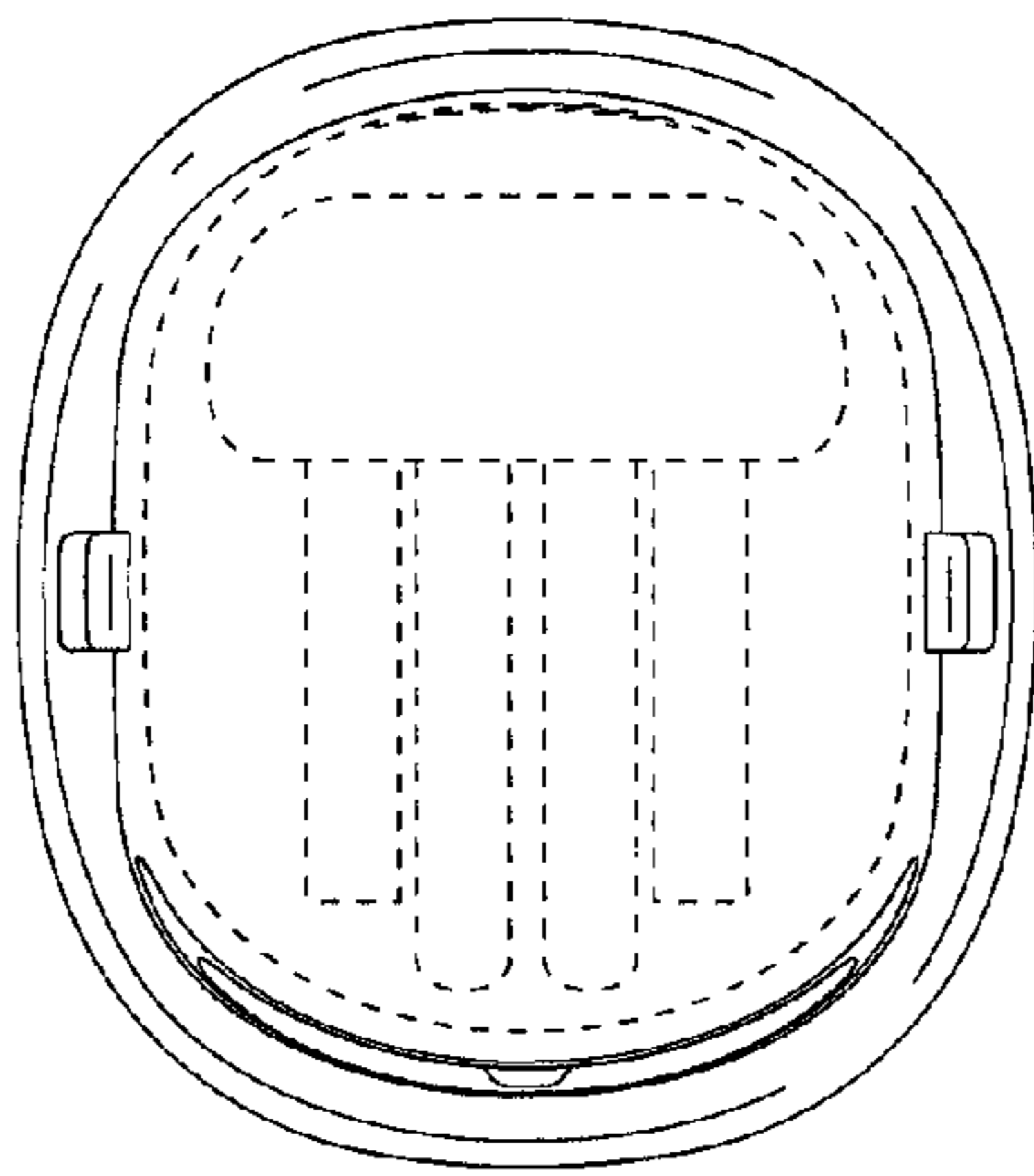


Fig. 12

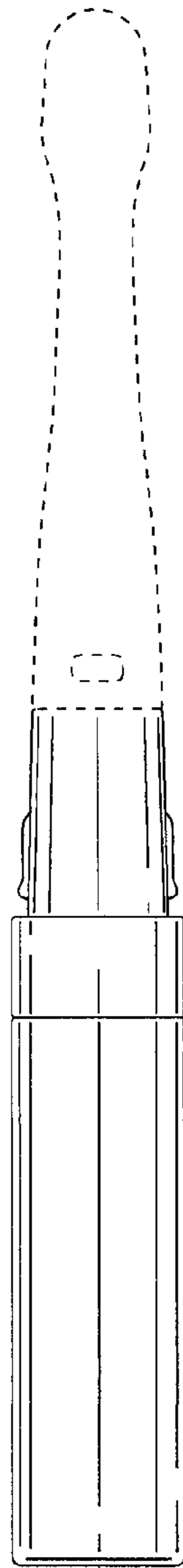


Fig. 13

