



US00D689696S

(12) **United States Design Patent**
Gregerson

(10) **Patent No.:** **US D689,696 S**

(45) **Date of Patent:** **** Sep. 17, 2013**

(54) **SUBSTRATE CONTAINER**

(71) Applicant: **Entegris, Inc.**, Billerica, MA (US)

(72) Inventor: **Barry Gregerson**, Deephaven, MN (US)

(73) Assignee: **Entegris, Inc.**, Billerica, MA (US)

(**) Term: **14 Years**

(21) Appl. No.: **29/434,621**

(22) Filed: **Oct. 15, 2012**

Related U.S. Application Data

(63) Continuation of application No. 29/377,267, filed on Oct. 19, 2010, now Pat. No. Des. 668,865.

(51) **LOC (9) Cl.** **03-01**

(52) **U.S. Cl.**
USPC **D3/321; D3/273**

(58) **Field of Classification Search**
USPC D3/269, 302, 273; 206/711, 454,
206/509, 455, 444, 508, 503, 832, 710;
211/41.18; 220/323, 756, 772, 768, 759
See application file for complete search history.

(56) **References Cited**

U.S. PATENT DOCUMENTS

D378,873	S	*	4/1997	Gregerson et al.	D3/273
D387,903	S	*	12/1997	Jacoby et al.	D3/273
5,788,082	A	*	8/1998	Nyseth	206/711
5,992,638	A	*	11/1999	Gregerson et al.	206/711
6,105,782	A	*	8/2000	Fujimori et al.	206/710

6,382,419	B1	*	5/2002	Fujimori et al.	206/454
7,048,127	B2	*	5/2006	Hyobu et al.	206/710
7,316,315	B2	*	1/2008	Matsutori et al.	206/454
7,344,031	B2	*	3/2008	Hasegawa et al.	206/710
7,347,329	B2	*	3/2008	Burns et al.	206/711
7,669,717	B2	*	3/2010	Sumi	206/710
7,703,609	B2	*	4/2010	Nakatogawa	206/711
7,722,095	B2	*	5/2010	Hyobu et al.	220/323
7,828,341	B2	*	11/2010	Hasegawa et al.	206/711
7,971,723	B1	*	7/2011	Chiu et al.	206/711
2003/0159971	A1	*	8/2003	Bores et al.	206/711
2007/0175792	A1	*	8/2007	Gregerson	206/711
2011/0005967	A1	*	1/2011	Gregerson et al.	206/711

* cited by examiner

Primary Examiner — Jennifer Rivard

(74) *Attorney, Agent, or Firm* — Christensen Fonder P.A.

(57) **CLAIM**

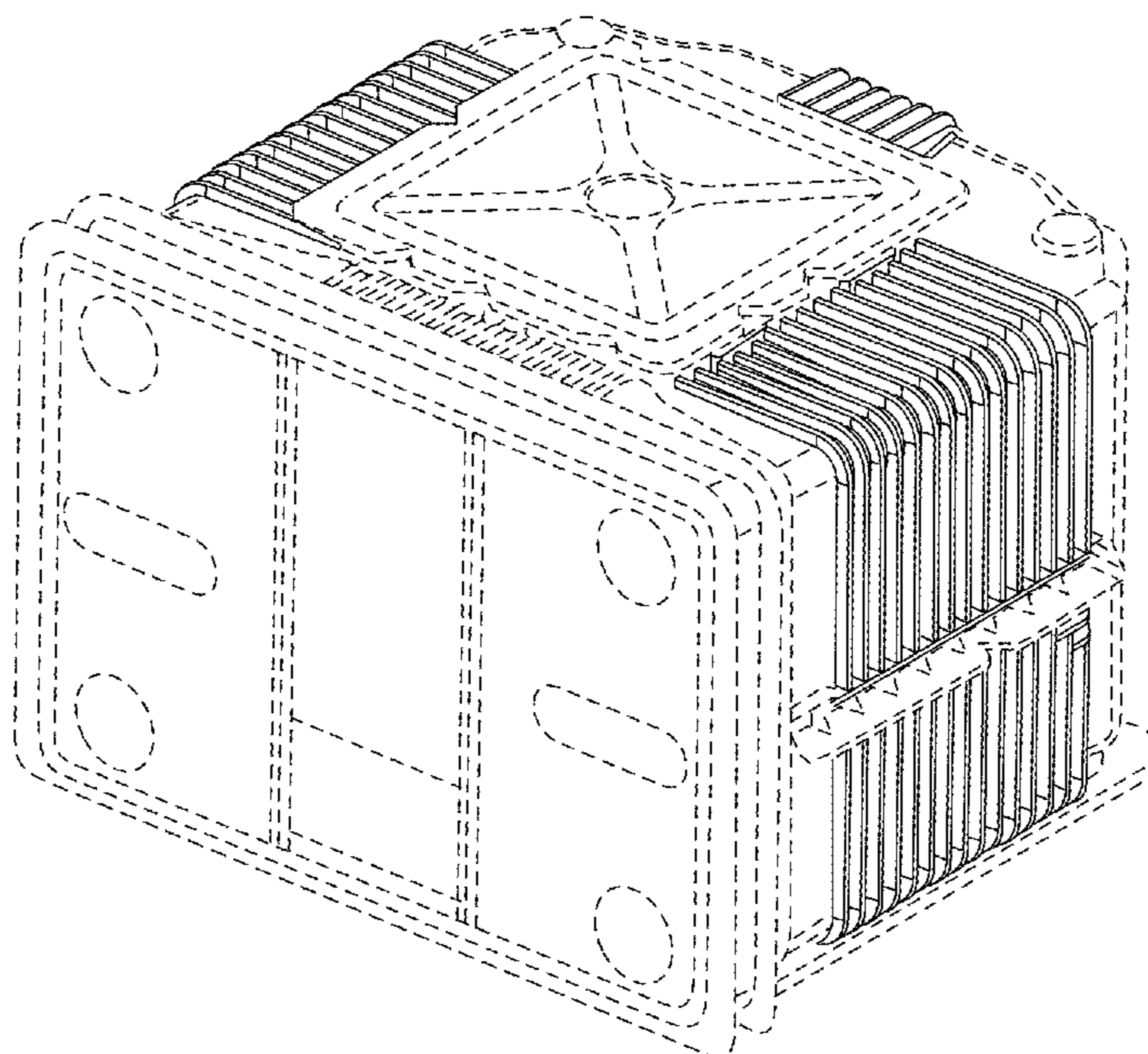
I claim the ornamental design for substrate container, as shown and described.

DESCRIPTION

FIG. 1 is a front corner perspective view of a substrate container according to an embodiment of the invention. The view from the adjacent front corner being a mirror image thereto. FIG. 2 is back corner perspective view of a substrate container according to an embodiment of the invention. The view from the adjacent back corner being a mirror image thereto; and, FIG. 3 is right side view of a substrate container according to an embodiment of the invention. The view from the opposite side being a mirror image thereto.

The broken lines shown in the drawings illustrate the environment of the claim and form no part of the claimed design.

1 Claim, 3 Drawing Sheets



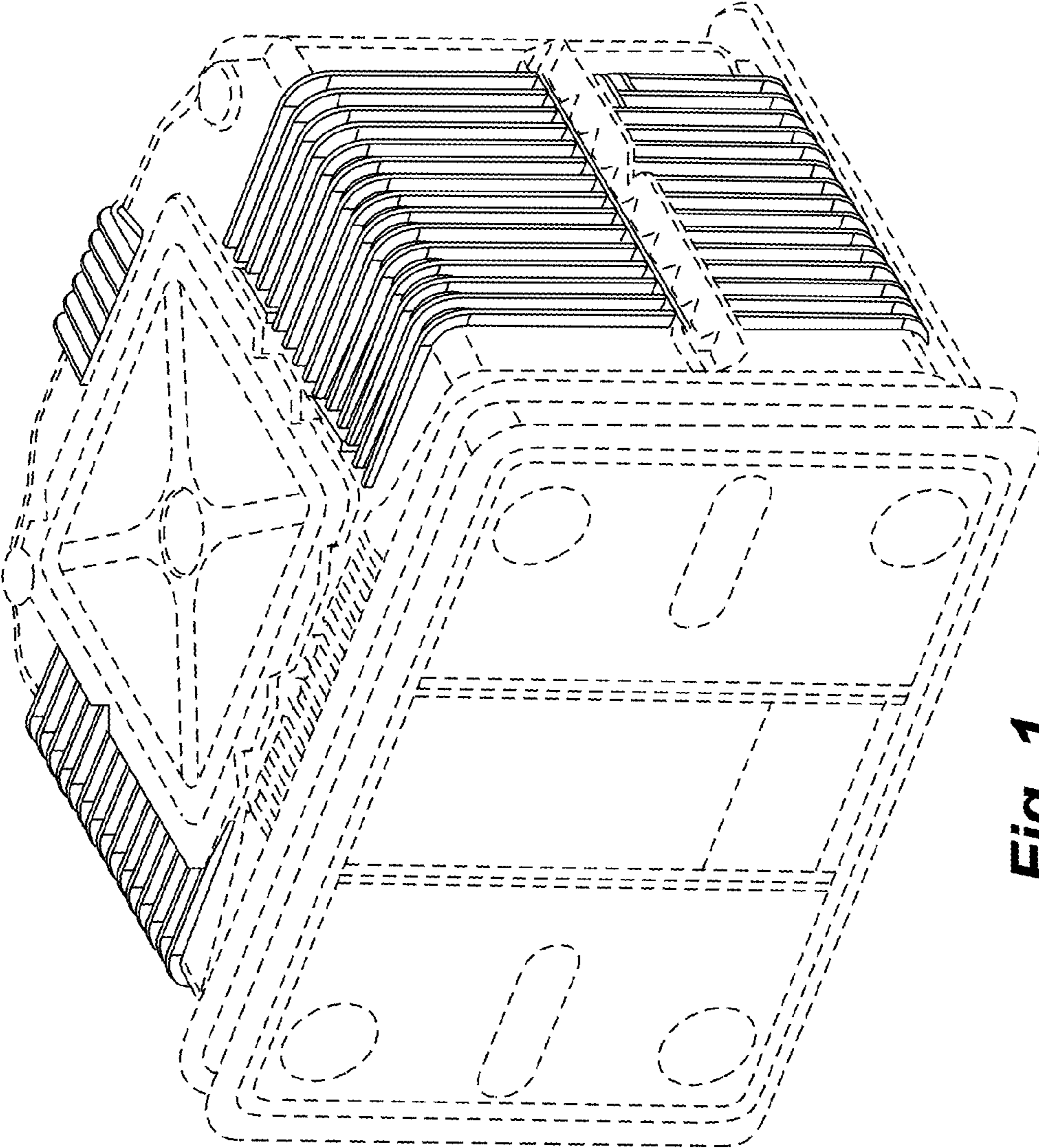


Fig. 1

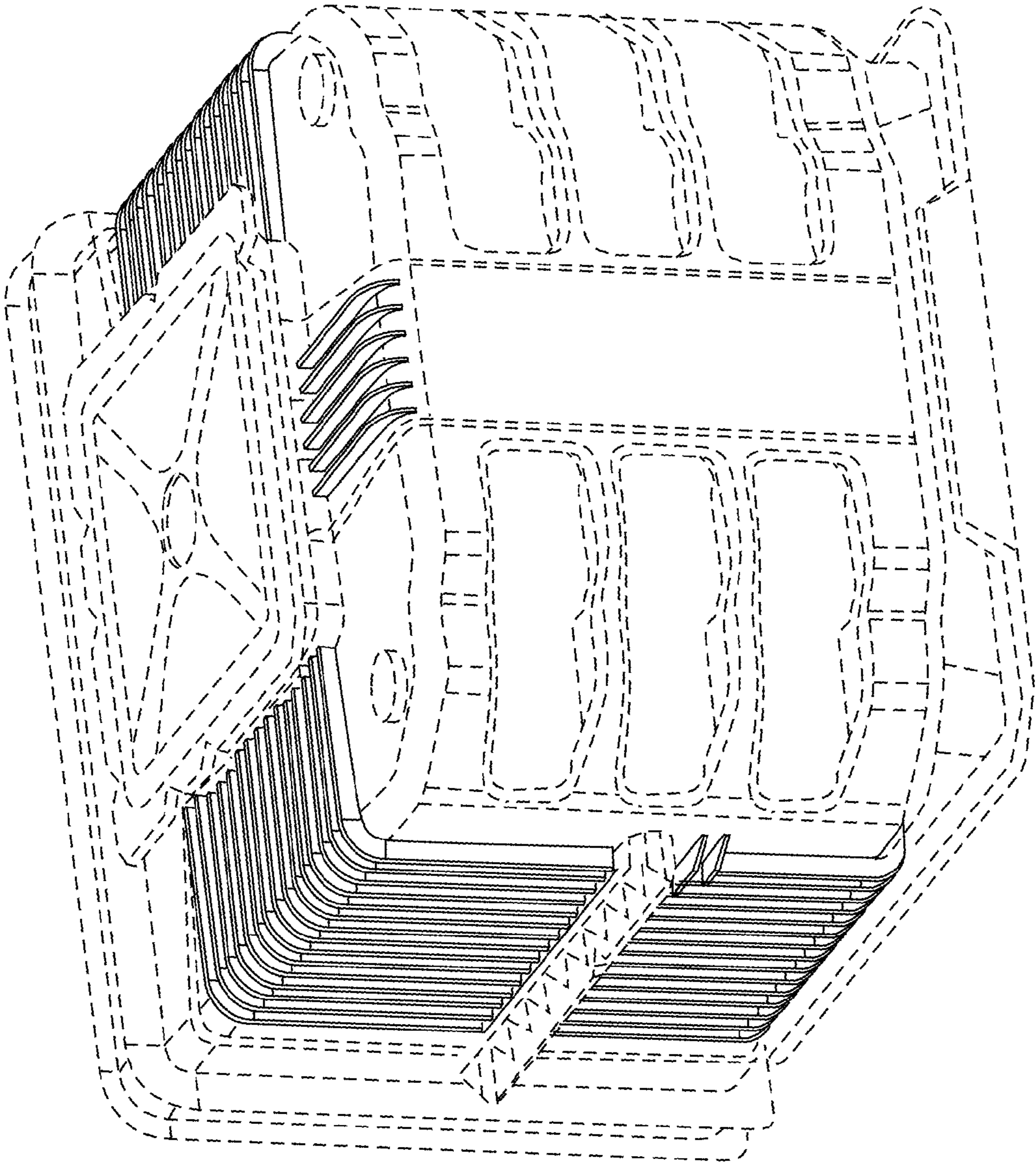


Fig. 2

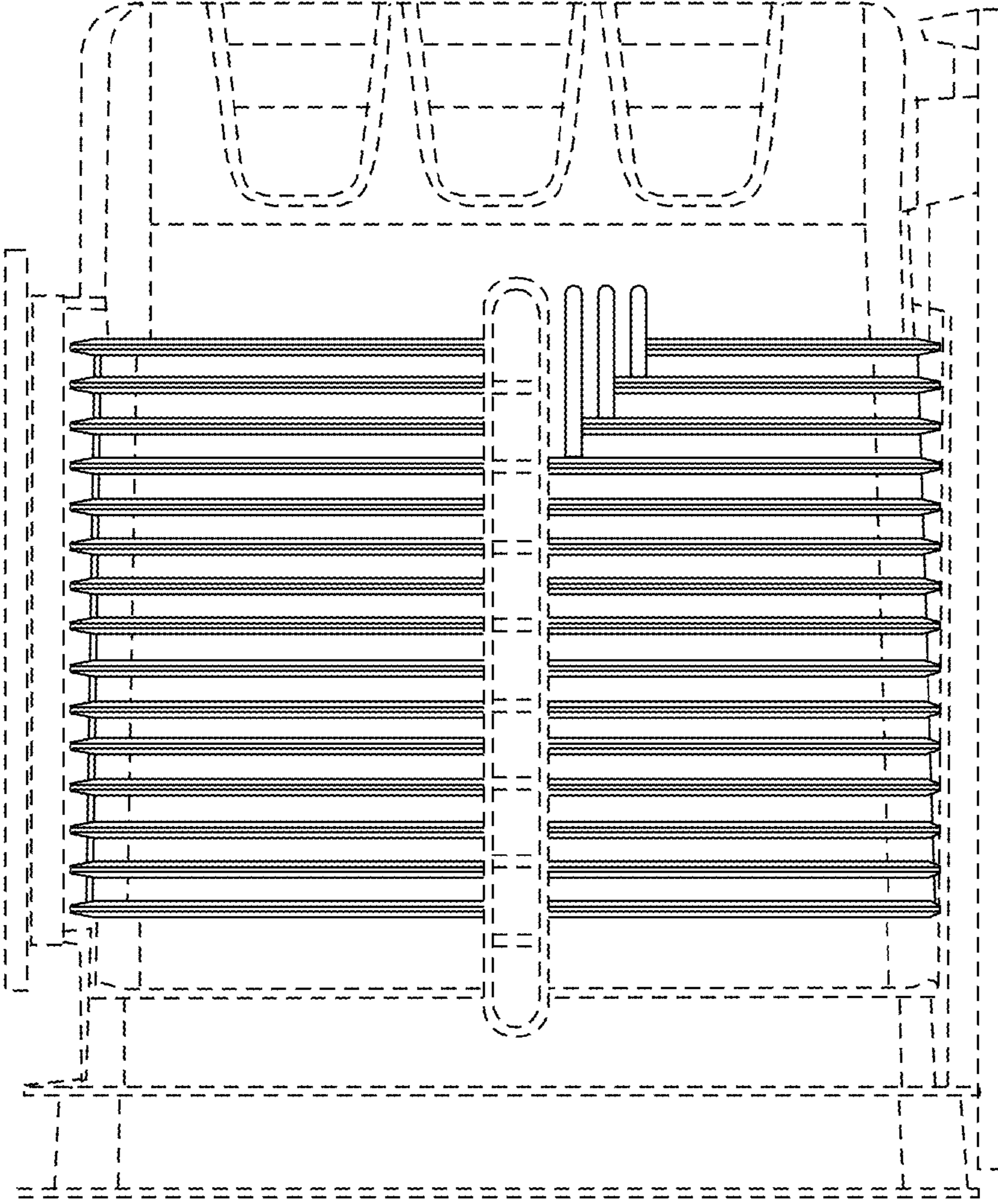


Fig. 3