



US00D689690S

(12) **United States Design Patent**
Hordos et al.

(10) **Patent No.:** **US D689,690 S**

(45) **Date of Patent:** **** Sep. 17, 2013**

(54) **PERSONAL ITEM CHEST HOLSTER**

(76) Inventors: **Matthew Hordos**, Raymore (CA); **Fran Hordos**, Raymore (CA)

(**) Term: **14 Years**

(21) Appl. No.: **29/424,952**

(22) Filed: **Jun. 18, 2012**

Related U.S. Application Data

(62) Division of application No. 12/769,767, filed on Apr. 29, 2010, now abandoned.

(51) **LOC (9) Cl.** **03-01**

(52) **U.S. Cl.**
USPC **D3/215**

(58) **Field of Classification Search**
USPC D3/215, 221, 216–217, 224, 226,
D3/228; 224/219, 222, 267, 269, 587, 623,
224/625, 270, 257–258, 250, 264, 930
See application file for complete search history.

(56) **References Cited**

U.S. PATENT DOCUMENTS

4,570,688	A	2/1986	Williams	
4,905,881	A	3/1990	Graber	
4,998,653	A	3/1991	LaBelle	
5,263,618	A	11/1993	Talavera	
5,667,114	A *	9/1997	Bourque	224/270
5,687,896	A	11/1997	Clift	
D457,725	S *	5/2002	Parsons	D3/327
6,421,834	B2	7/2002	Kester	
D483,561	S *	12/2003	Charpentier	D3/221
6,790,201	B2 *	9/2004	Meyer	224/257

D499,553	S *	12/2004	Millard	D3/327
D558,974	S *	1/2008	Denzer et al.	D3/215
2003/0010801	A1	1/2003	Schlipper	
2003/0183313	A1	10/2003	Rushlow	
2006/0011687	A1	1/2006	Wadley et al.	

OTHER PUBLICATIONS

Under Clothing Waist Wallet—Corporate Travel Safety—Travel Products, Travel Tips . . . Under Clothing Waist Wallet (Model #2004). <http://www.corporatetravelsafety.com/catalog/under-clothing-waist-wallet-p-606.html>. Accessed Jun. 2, 2009.

* cited by examiner

Primary Examiner — Catheri Oliver-Garcia

(74) *Attorney, Agent, or Firm* — Montgomery Patent & Design; Robert C. Montgomery

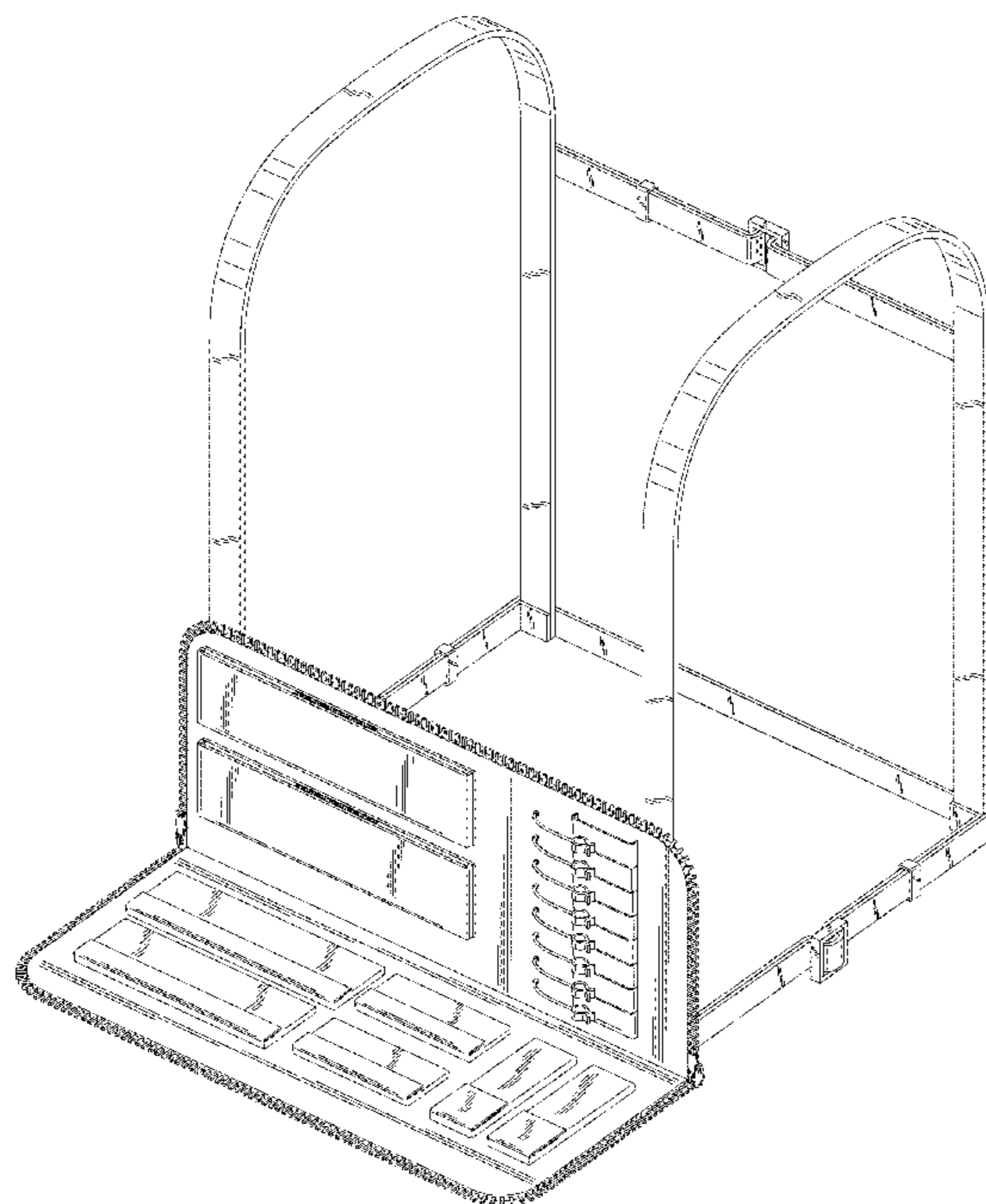
(57) **CLAIM**

The ornamental design for a personal item chest holster, as shown and described.

DESCRIPTION

FIG. 1 is a perspective front view of a personal item chest holster depicted in an open position, showing our new design; FIG. 2 is a front view thereof; FIG. 3 is a rear view thereof; FIG. 4 is a left side view thereof; FIG. 5 is a right side view thereof; FIG. 6 is a top view thereof; FIG. 7 is a bottom view thereof; and, FIG. 8 is a perspective front view of the personal item chest holster depicted in a closed position.

1 Claim, 8 Drawing Sheets



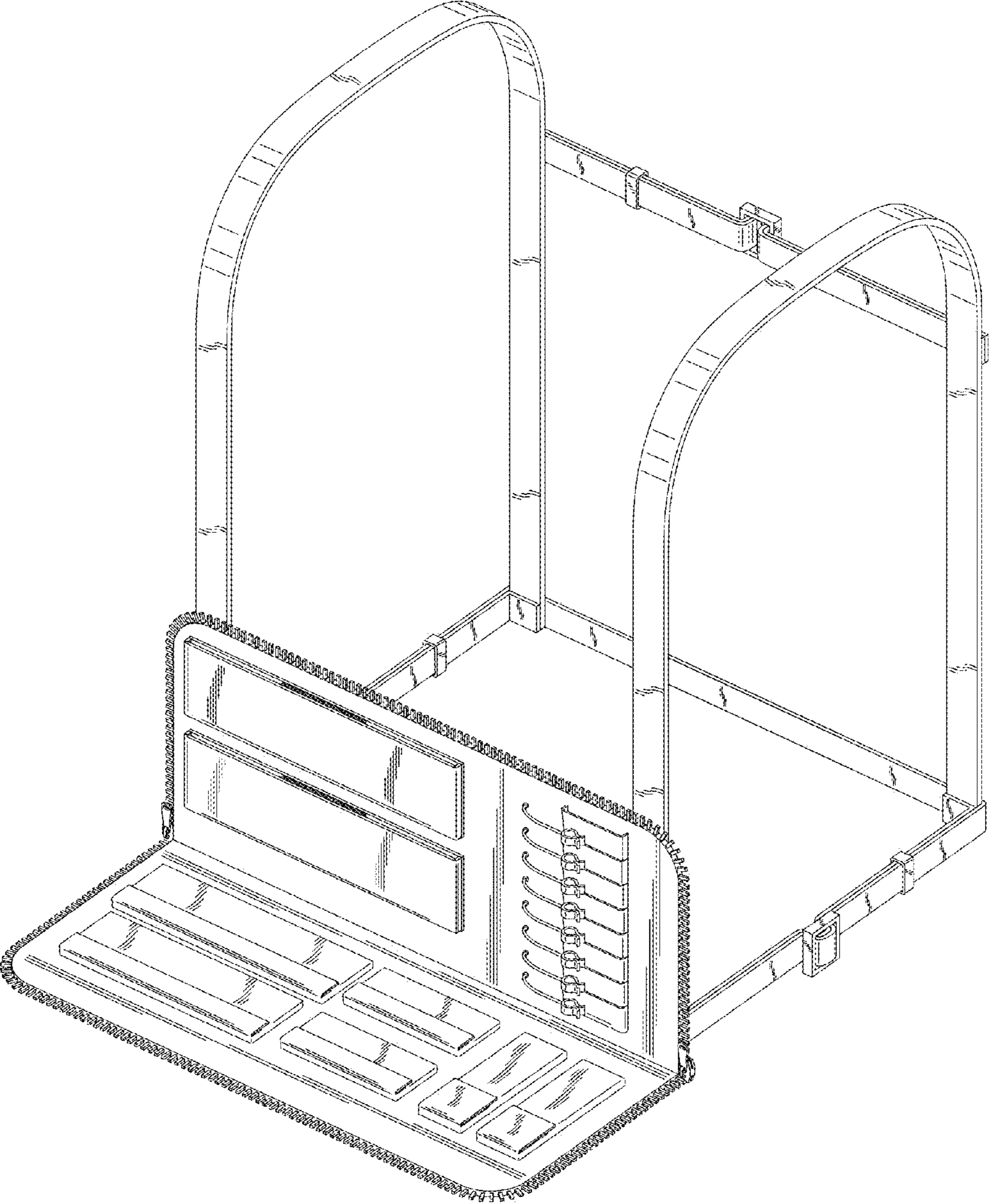


Fig. 1

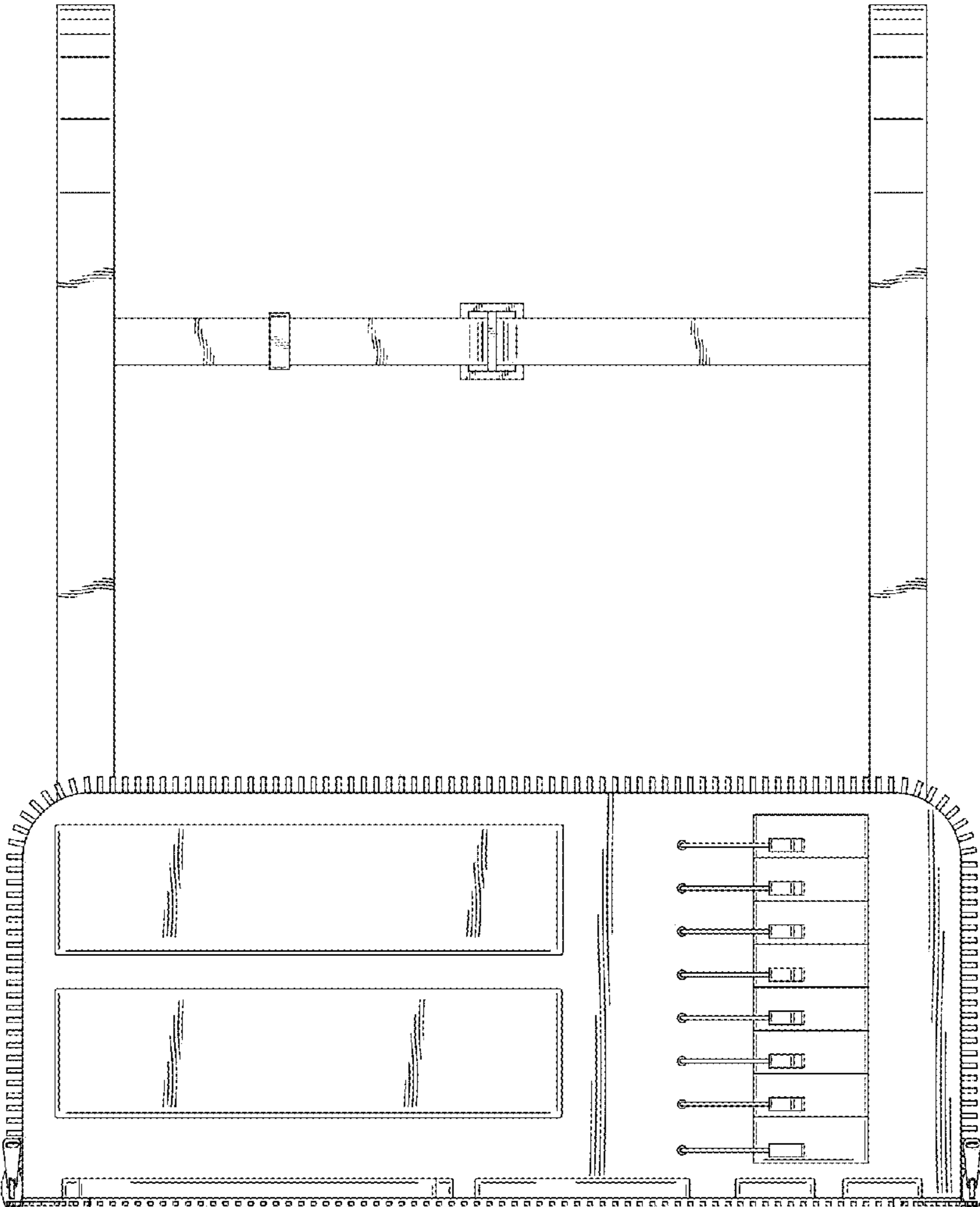


Fig. 2

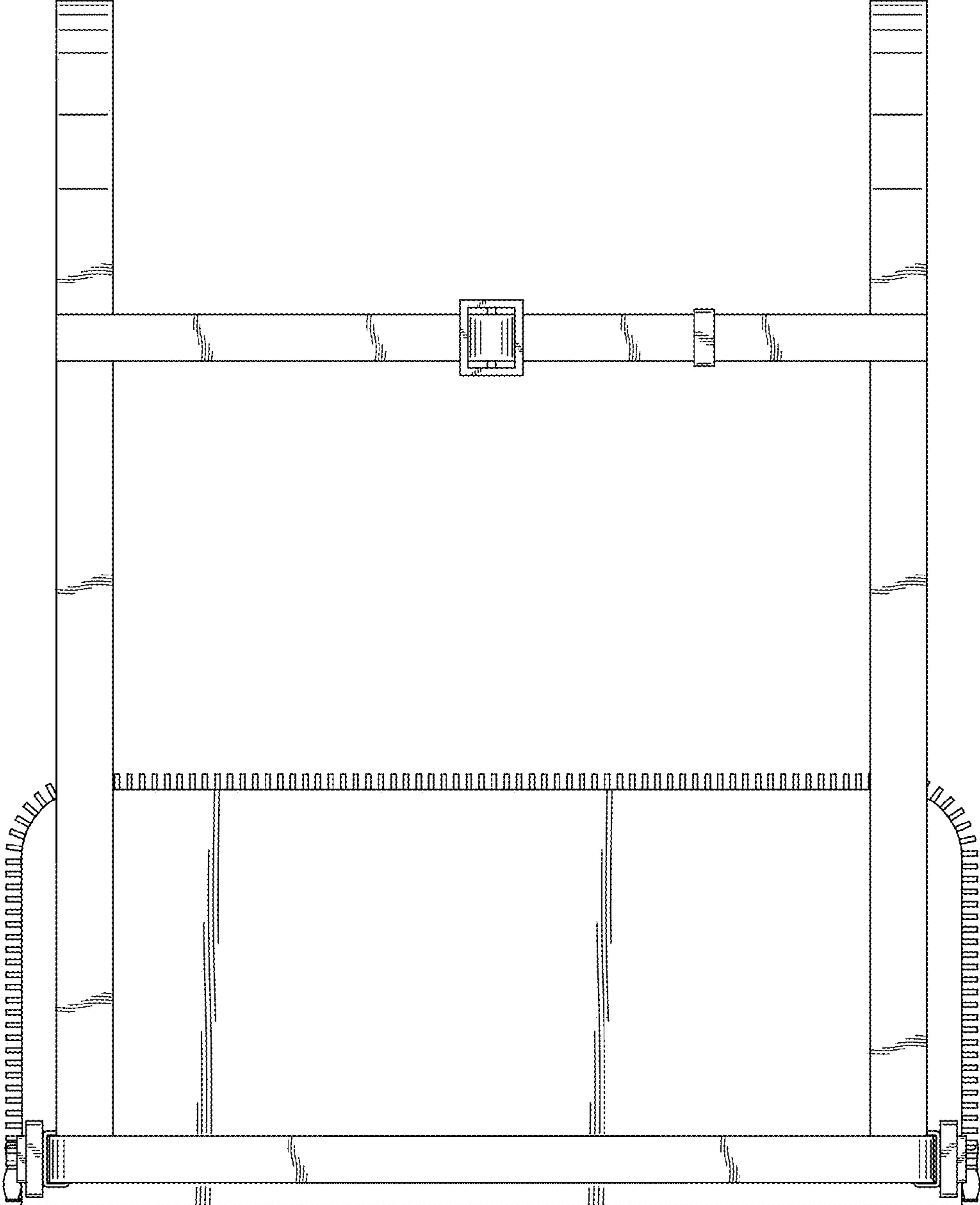


Fig. 3

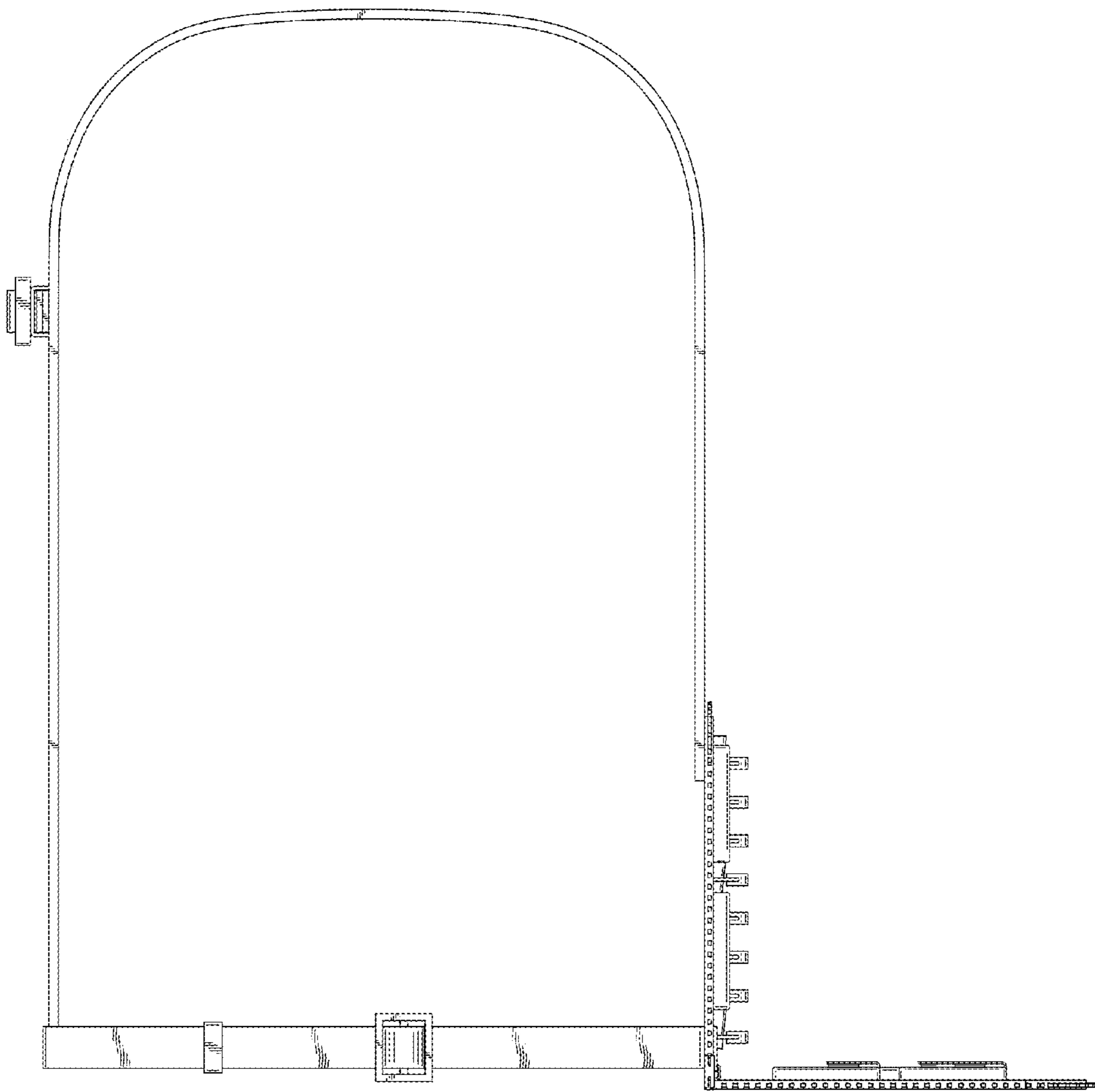


Fig. 4

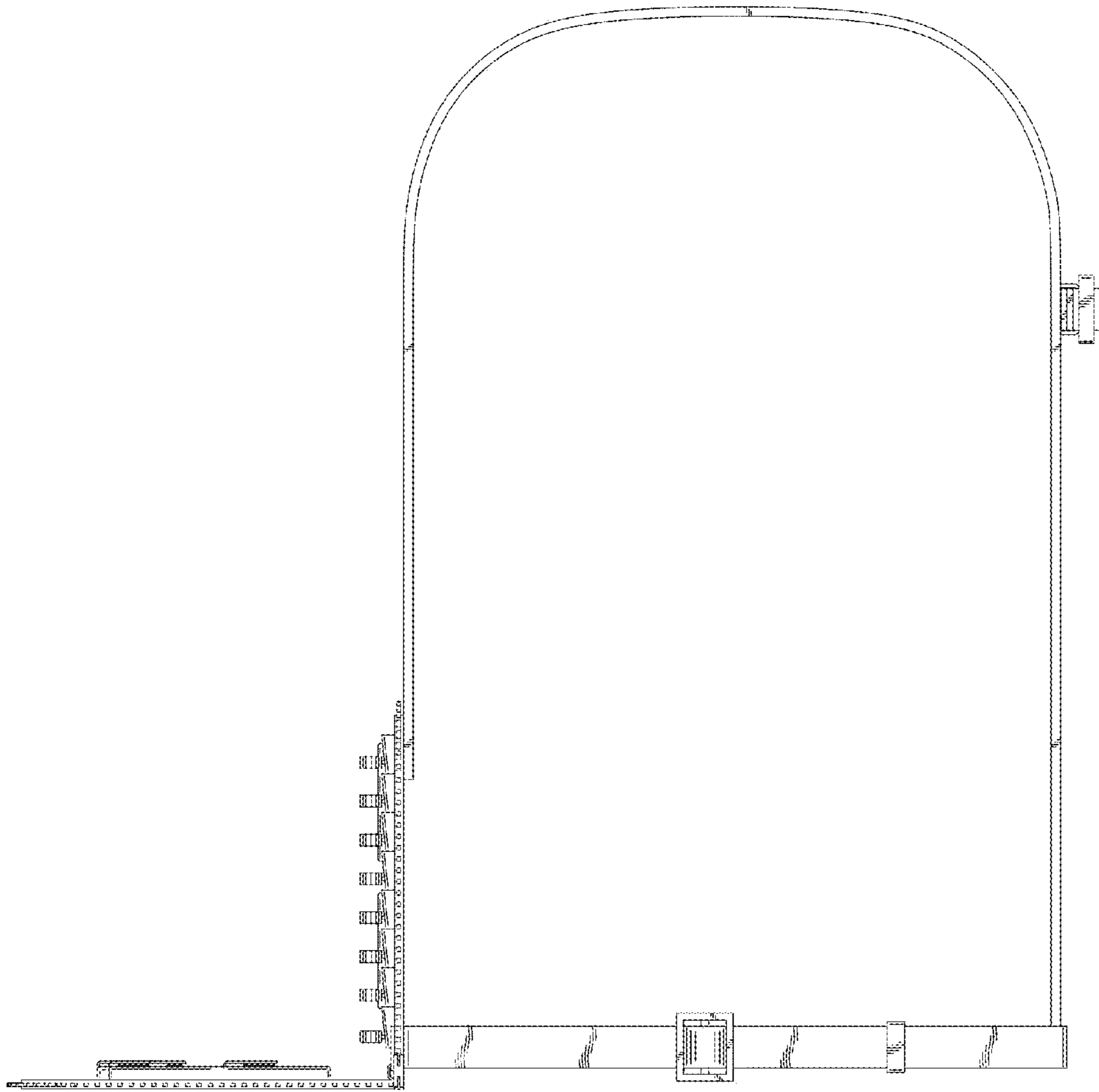


Fig. 5

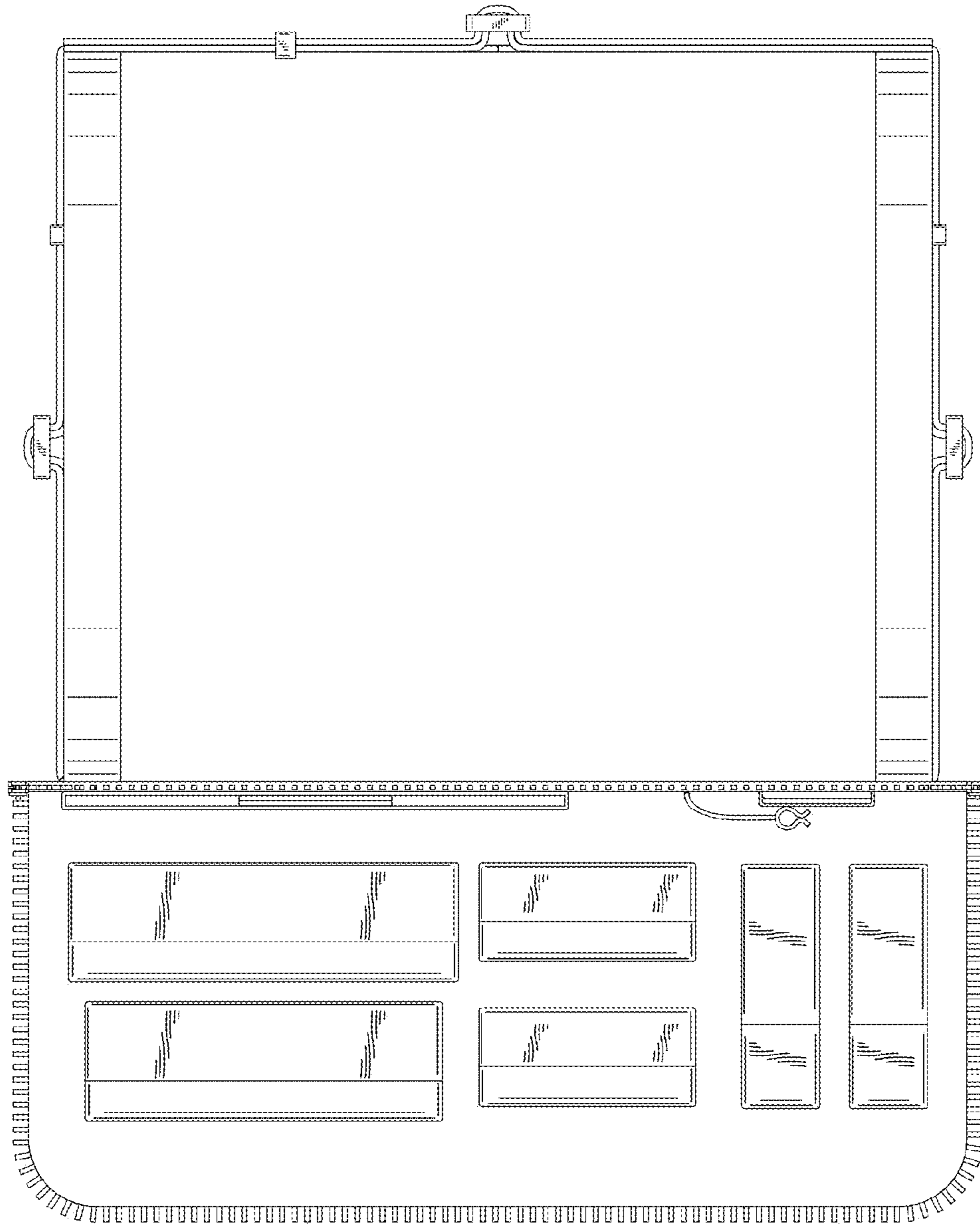


Fig. 6

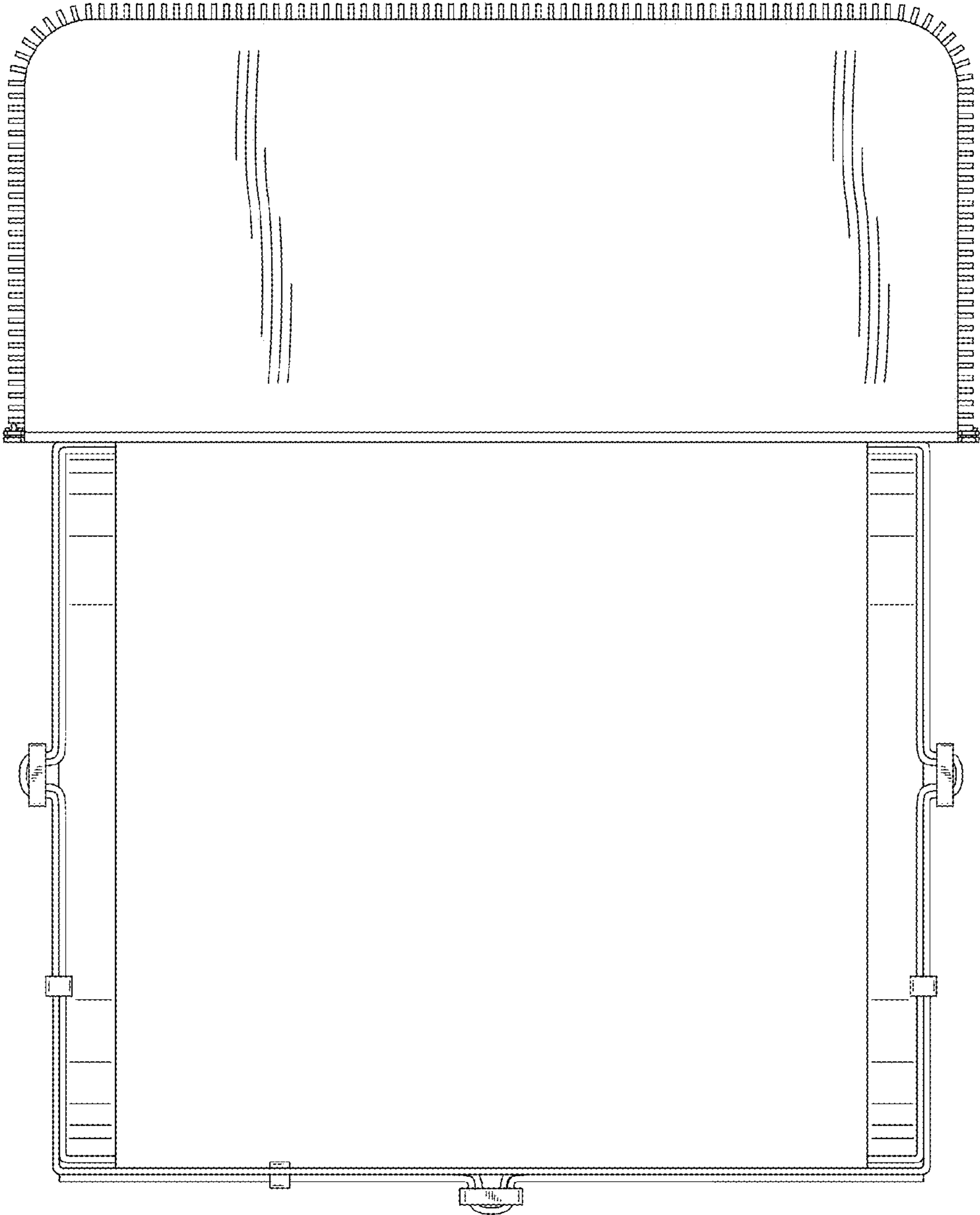


Fig. 7

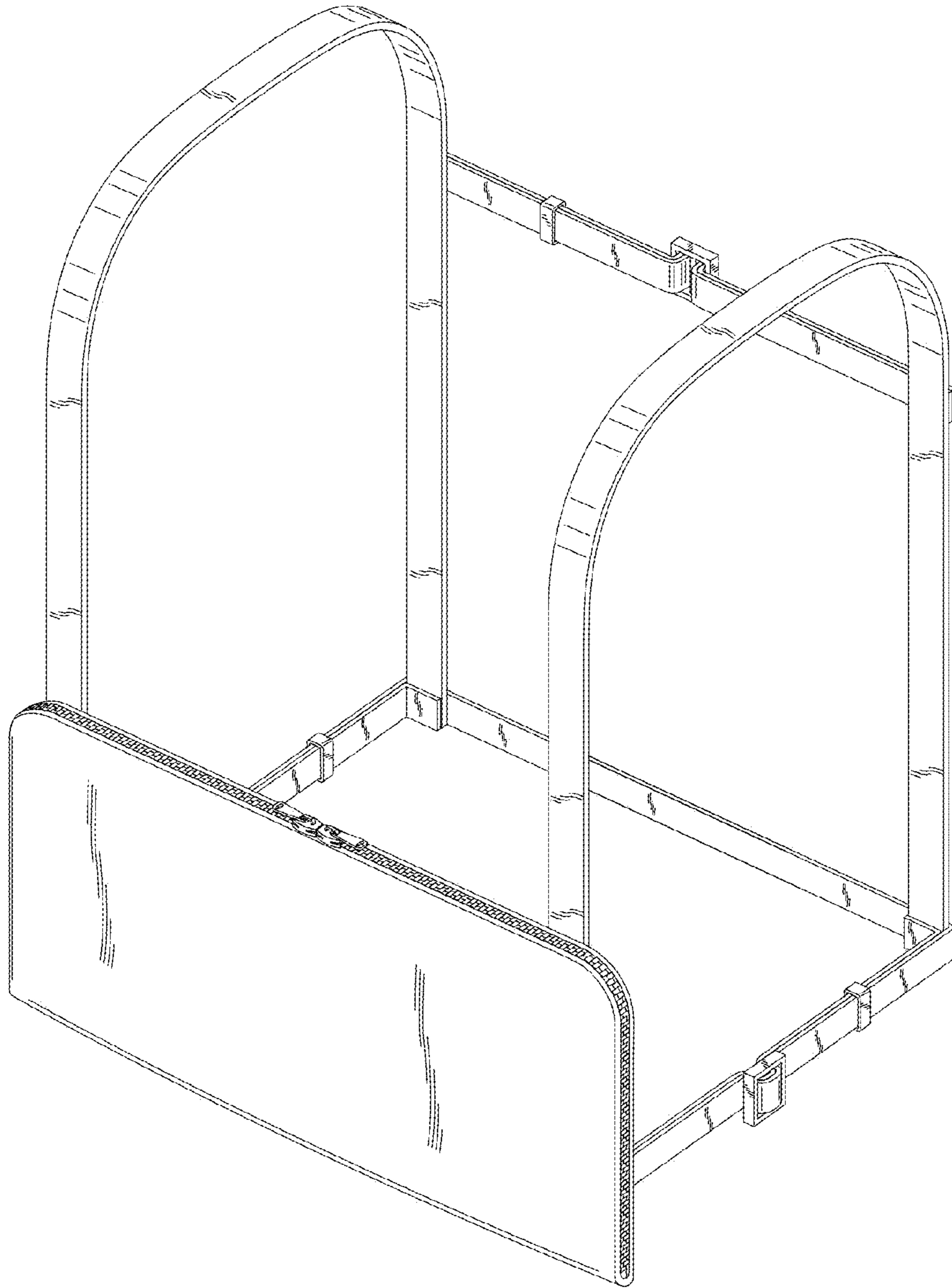


Fig. 8