



US00D689687S

(12) **United States Design Patent**
Lipscomb et al.

(10) **Patent No.:** **US D689,687 S**

(45) **Date of Patent:** **** Sep. 17, 2013**

(54) **BASE FOR STORING SCISSORS AND THE LIKE**

(75) Inventors: **Daniel J. Lipscomb**, Prairie Du Sac, WI (US); **Colin Roberts**, Stevens Point, WI (US); **James W. Meiller**, Fitchburg, WI (US)

(73) Assignee: **Fiskard Brands, Inc.**, Madison, WI (US)

(**) Term: **14 Years**

(21) Appl. No.: **29/416,477**

(22) Filed: **Mar. 22, 2012**

(51) **LOC (9) Cl.** **03-01**

(52) **U.S. Cl.**
USPC **D3/20**

(58) **Field of Classification Search**
USPC D3/18, 20, 21–27, 200, 201, 203.1–203.3, D3/273, 292, 294, 248, 249, 271.1; D8/57, D8/102, 104; D19/65, 75; D20/19; D9/600, D9/424, 425, 426; D28/61, 66, 73, 83; 206/214, 223, 38, 349, 371; 30/123, 138; 227/120, 127, 128

See application file for complete search history.

(56) **References Cited**

U.S. PATENT DOCUMENTS

D170,187 S *	8/1953	Eichel	D3/248
2,684,758 A *	7/1954	Aquino	206/349
2,726,393 A *	12/1955	Vogel	227/128
D181,421 S *	11/1957	Milne et al.	D8/102
D234,058 S *	1/1975	Stahel	D8/57
D259,794 S *	7/1981	Henkels	D19/75

4,348,809 A *	9/1982	Jackson	30/138
D305,976 S *	2/1990	Holterscheidt	D8/104
D306,183 S *	2/1990	Ukisu	D3/271.1
D332,347 S *	1/1993	Raadt et al.	D3/20
5,435,447 A *	7/1995	Weatherford et al.	206/349
D375,620 S *	11/1996	Chan	D3/20
D384,974 S *	10/1997	Sawano	D19/65
D416,581 S *	11/1999	Cheng	D19/65
D429,560 S *	8/2000	Apple	D3/20
D455,784 S *	4/2002	FitzGerald	D19/65
D487,483 S *	3/2004	Chen	D20/19
D539,663 S *	4/2007	Jovetic et al.	D9/600
D553,795 S *	10/2007	Tran	D28/66

* cited by examiner

Primary Examiner — Caron D Veynar

Assistant Examiner — Martie K Holtje

(74) *Attorney, Agent, or Firm* — Foley & Lardner LLP

(57) **CLAIM**

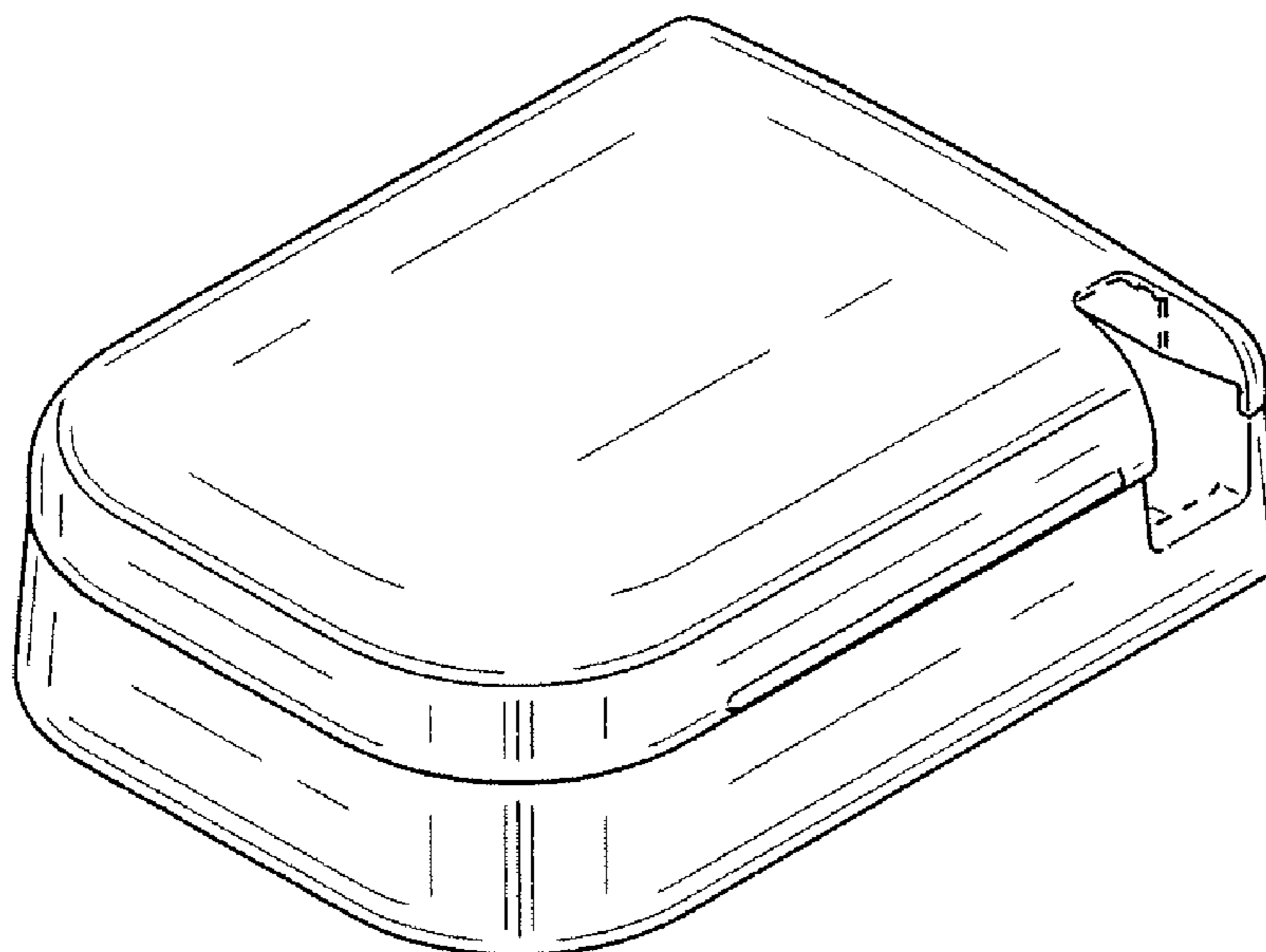
We claim the ornamental design for a base for storing scissors and the like, as shown and described.

DESCRIPTION

FIG. 1 is a top, right front perspective view of a base for storing scissors and the like showing our new design; FIG. 2 is a front elevational view thereof; FIG. 3 is a rear elevational view thereof; FIG. 4 is a left side elevational view thereof; FIG. 5 is a right side elevational view thereof; FIG. 6 is a top plan view thereof; and, FIG. 7 is a bottom plan view thereof.

The broken lines in the drawing have been provided to illustrate portions of the base for storing scissors and the like that form no part of the claimed design.

1 Claim, 4 Drawing Sheets



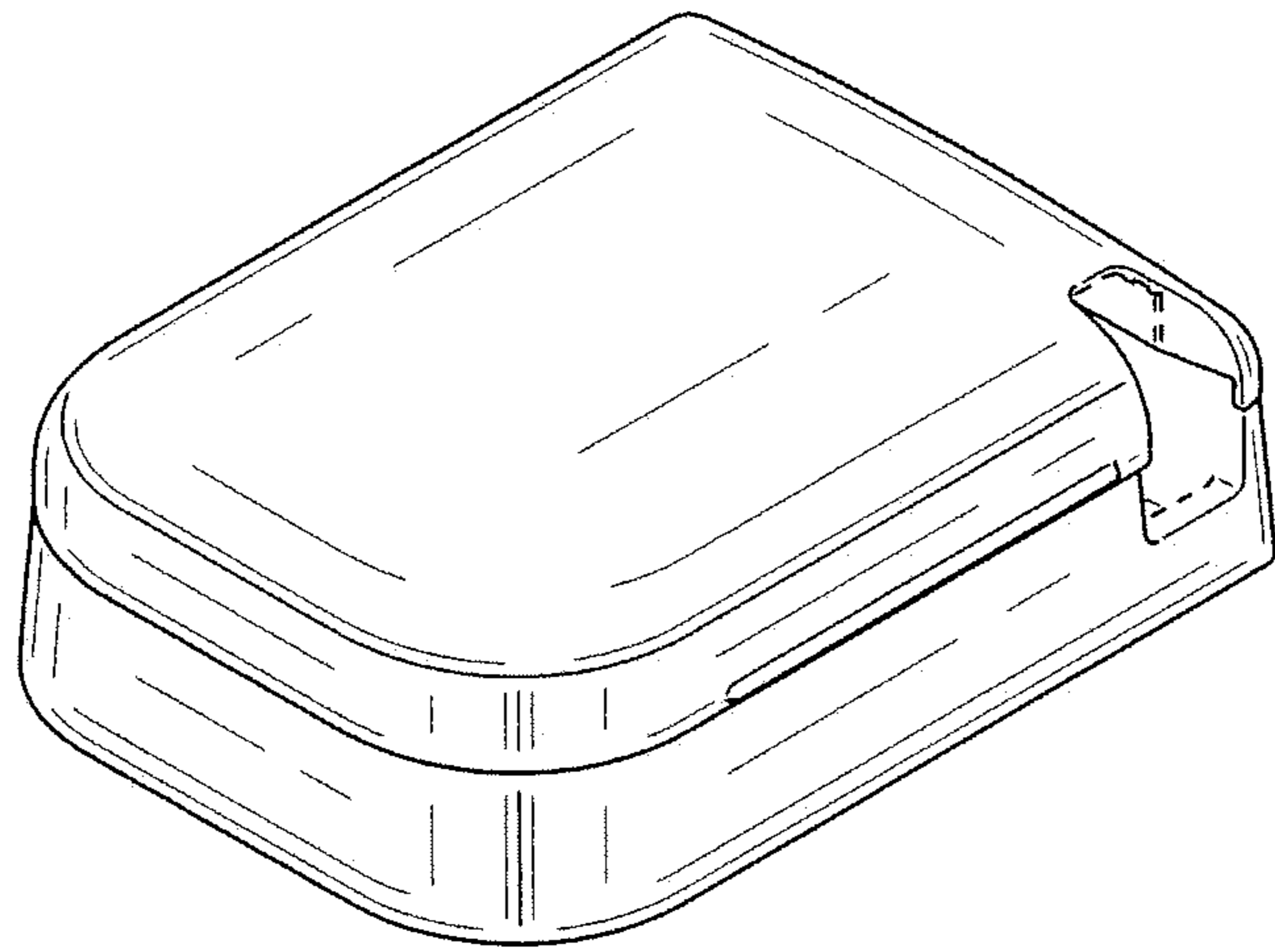


FIG. 1

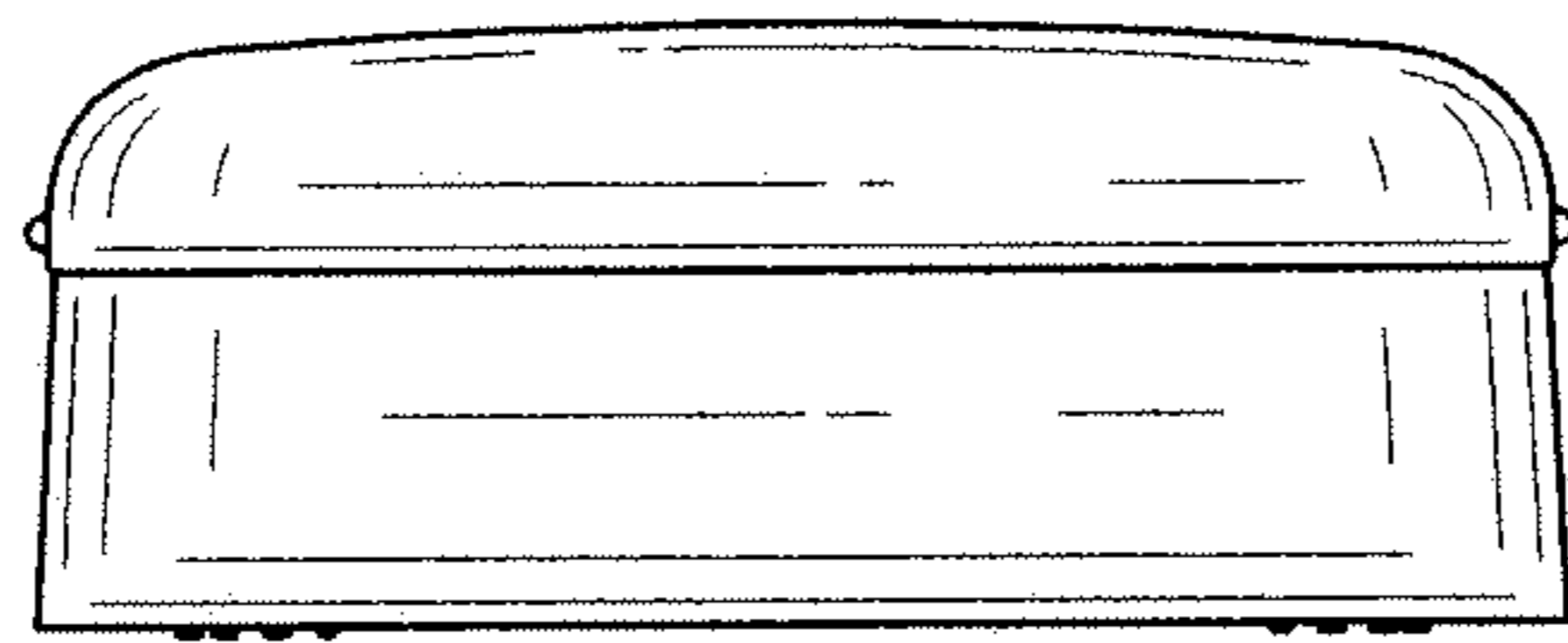


FIG. 2

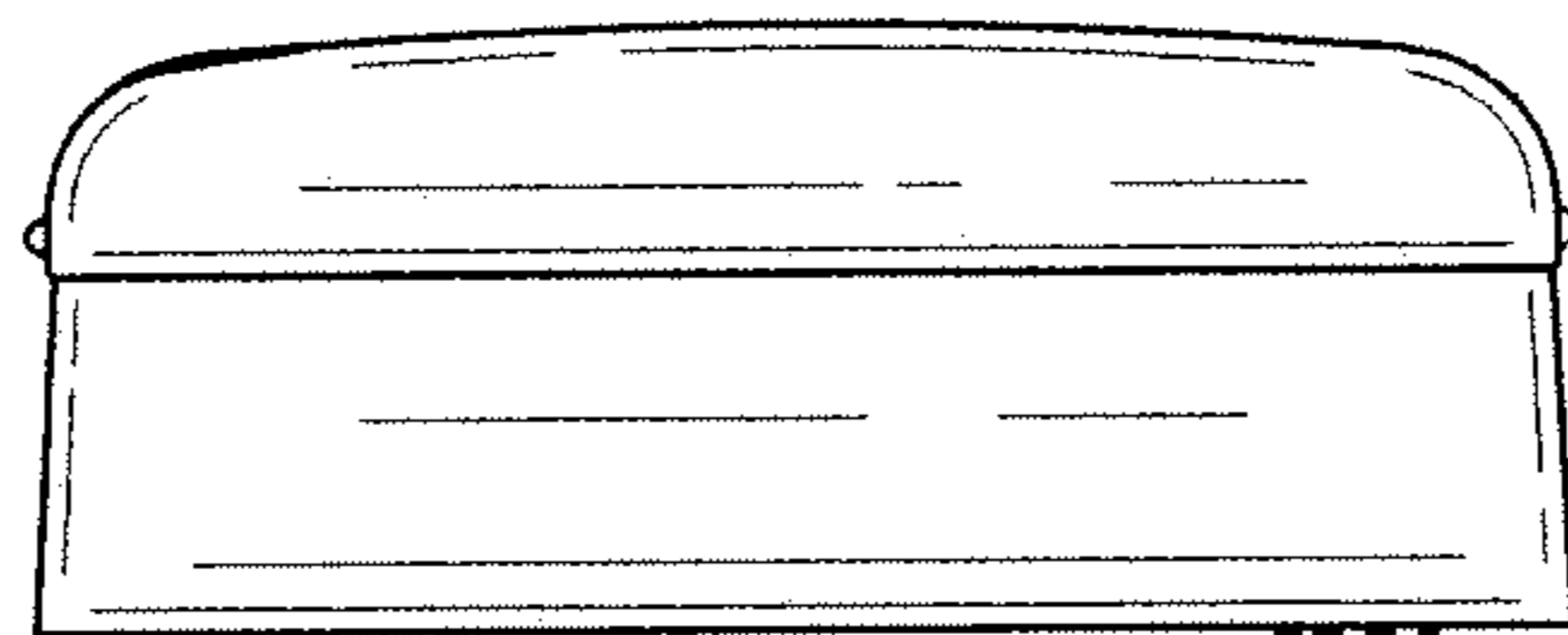


FIG. 3

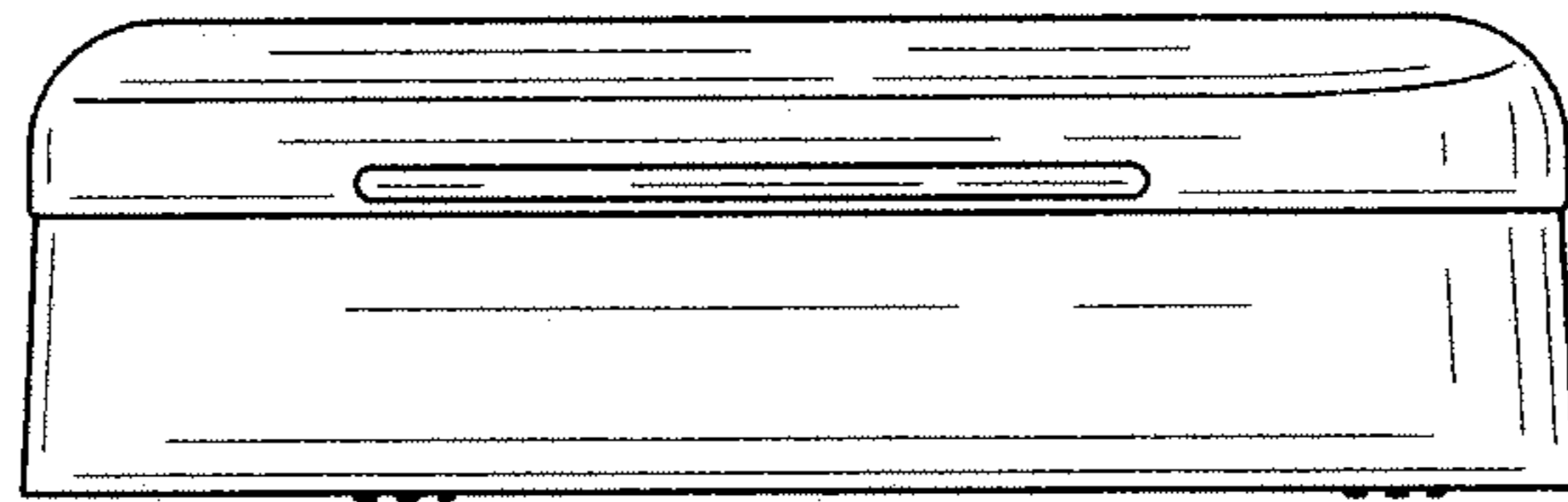


FIG. 4

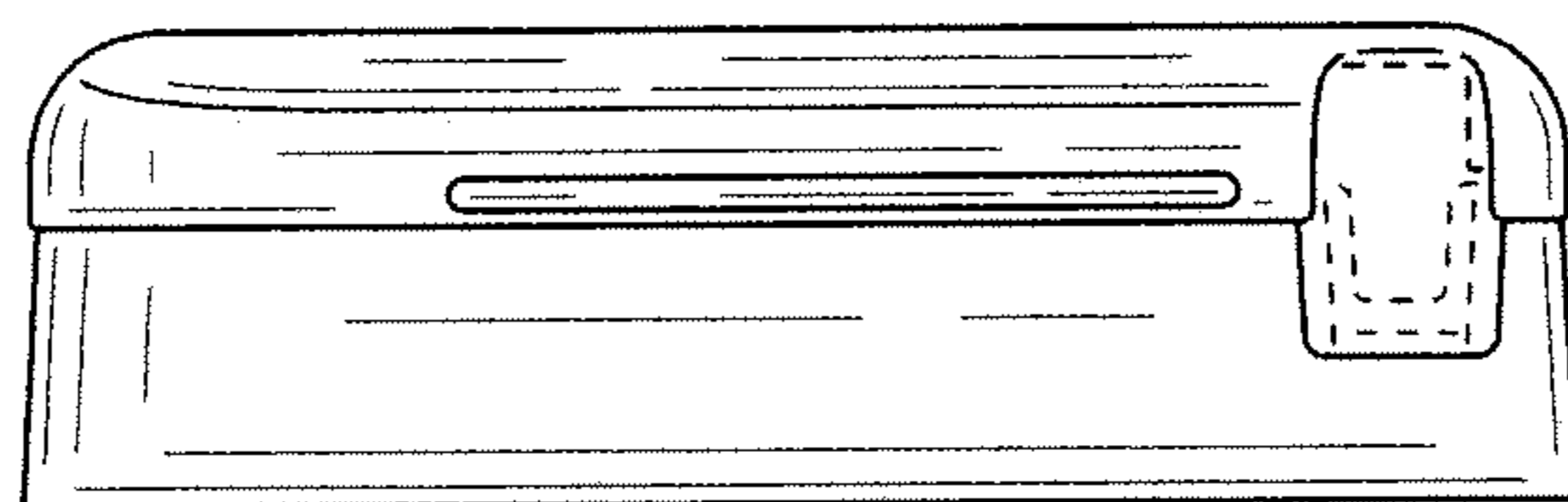


FIG. 5

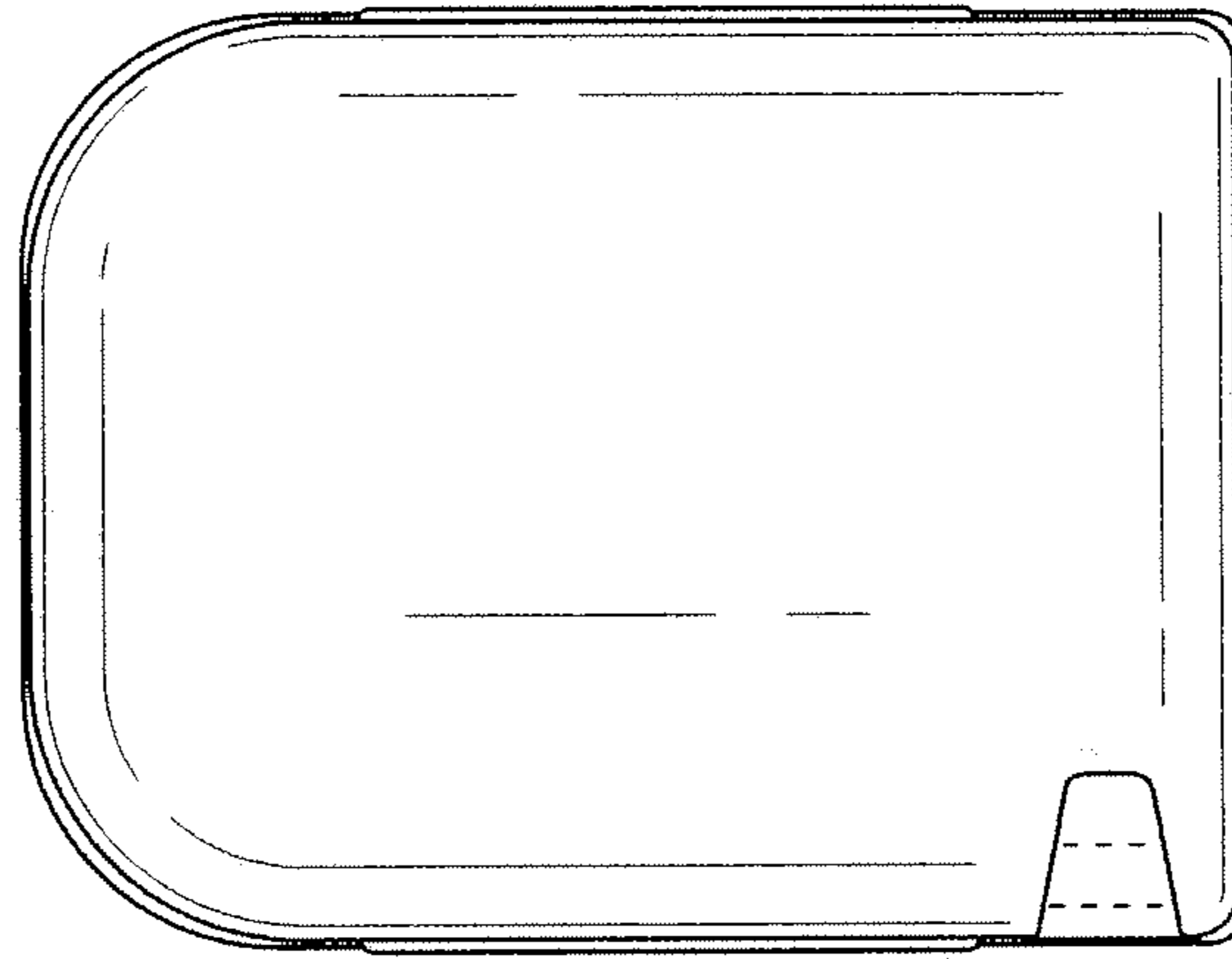


FIG. 6

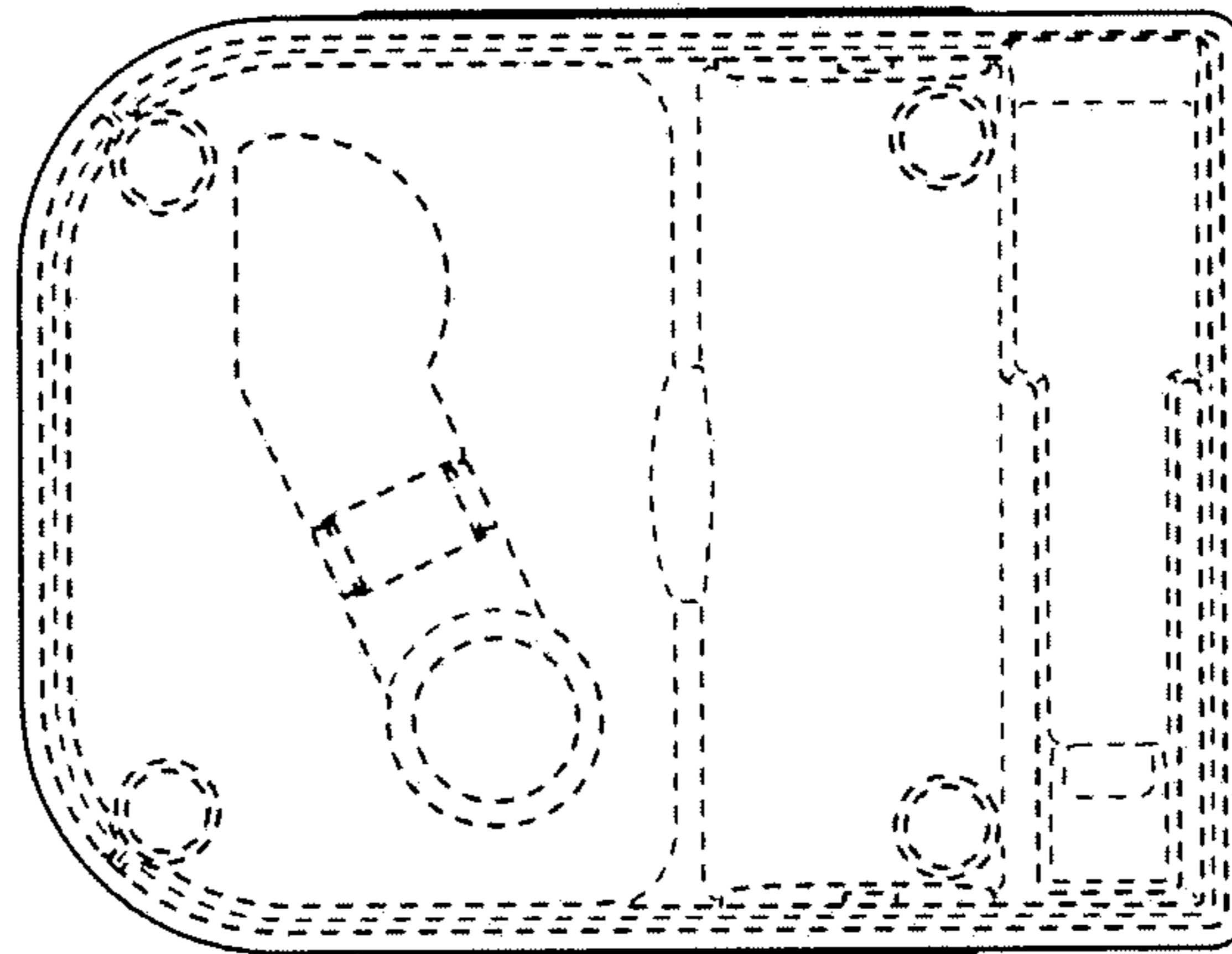


FIG. 7