



US00D689669S

(12) **United States Design Patent**
Williams

(10) **Patent No.:** **US D689,669 S**

(45) **Date of Patent:** **** Sep. 17, 2013**

(54) **POCKET ON APPAREL**

(75) Inventor: **Michelle Williams**, Toronto (CA)

(73) Assignee: **Olli Lolli Allergy Apparel Inc.**, Toronto (CA)

(**) Term: **14 Years**

(21) Appl. No.: **29/431,001**

(22) Filed: **Aug. 31, 2012**

(51) **LOC (9) Cl.** **02-02**

(52) **U.S. Cl.**

USPC **D2/857**

(58) **Field of Classification Search**

USPC D2/639, 769, 771, 786, 791, 812,
D2/820, 853, 742, 857; D3/303, 253, 226;
2/235, 236, 237, 265, 309, 220, 251, 42.2,
2/247; 206/0.83, 0.84, 0.38, 37, 315.5, 714,
206/725; 150/132, 144, 131, 143, 111, 210.1;
224/191, 222, 250, 652, 587, 218; 24/11 AC,
24/468, 3.5, 3.1, 303, 3.3, 66.1; 383/97;
450/150, 189; 66/173; 229/67.4; 455/575.3;
422/409, 430

See application file for complete search history.

(56) **References Cited**

U.S. PATENT DOCUMENTS

2,285,670	A *	6/1942	Logsdon	24/3.5
3,387,641	A *	6/1968	Osborne	150/132
4,194,655	A *	3/1980	Tillotson	224/191
5,913,349	A *	6/1999	Festus	150/143
6,068,401	A *	5/2000	Ho	383/97
6,802,348	B2 *	10/2004	Vernon et al.	150/111
D619,334	S	7/2010	Barina		
7,909,234	B2 *	3/2011	Maistrellis	229/67.4
7,912,522	B2 *	3/2011	Pierson	455/575.3
8,137,618	B2 *	3/2012	Zocchi	422/409
8,267,289	B2 *	9/2012	Irvin	224/218
8,268,259	B2 *	9/2012	Zocchi	422/430
2008/0163443	A1 *	7/2008	Brown	15/210.1

OTHER PUBLICATIONS

Design U.S. Appl. No. 29/431,004, filed Aug. 31, 2012.

* cited by examiner

Primary Examiner — Ian Simmons

Assistant Examiner — Eleni H Aldridge

(74) *Attorney, Agent, or Firm* — Jenkins, Wilson, Taylor & Hunt, P.A.

(57) **CLAIM**

The ornamental design of pocket on apparel, as shown and described.

DESCRIPTION

FIG. 1 is a front elevational view of the pocket on apparel showing my design in the closed position;

FIG. 2 is a front elevational view of the pocket on apparel in the open position;

FIG. 3 is an expanded bottom perspective view of the pocket on apparel in the closed position;

FIG. 4 is an expanded left side perspective view of the pocket on apparel thereof;

FIG. 5 is an expanded top perspective view of the pocket on apparel thereof;

FIG. 6 is a front elevational view of the pocket on apparel in a second environment in the closed position;

FIG. 7 is a front elevational view of the pocket on apparel in a second environment in the open position;

FIG. 8 is a bottom perspective view of the pocket on apparel in a second environment in the closed position;

FIG. 9 is a left perspective view thereof; and,

FIG. 10 is a top perspective view thereof.

The broken line showing of stitching is included for the purpose of illustrating portions of the article and forms a part of the claimed design.

The broken line showing of jackets is included for the purpose of illustrating environmental matter and forms no part of the claimed design.

1 Claim, 10 Drawing Sheets



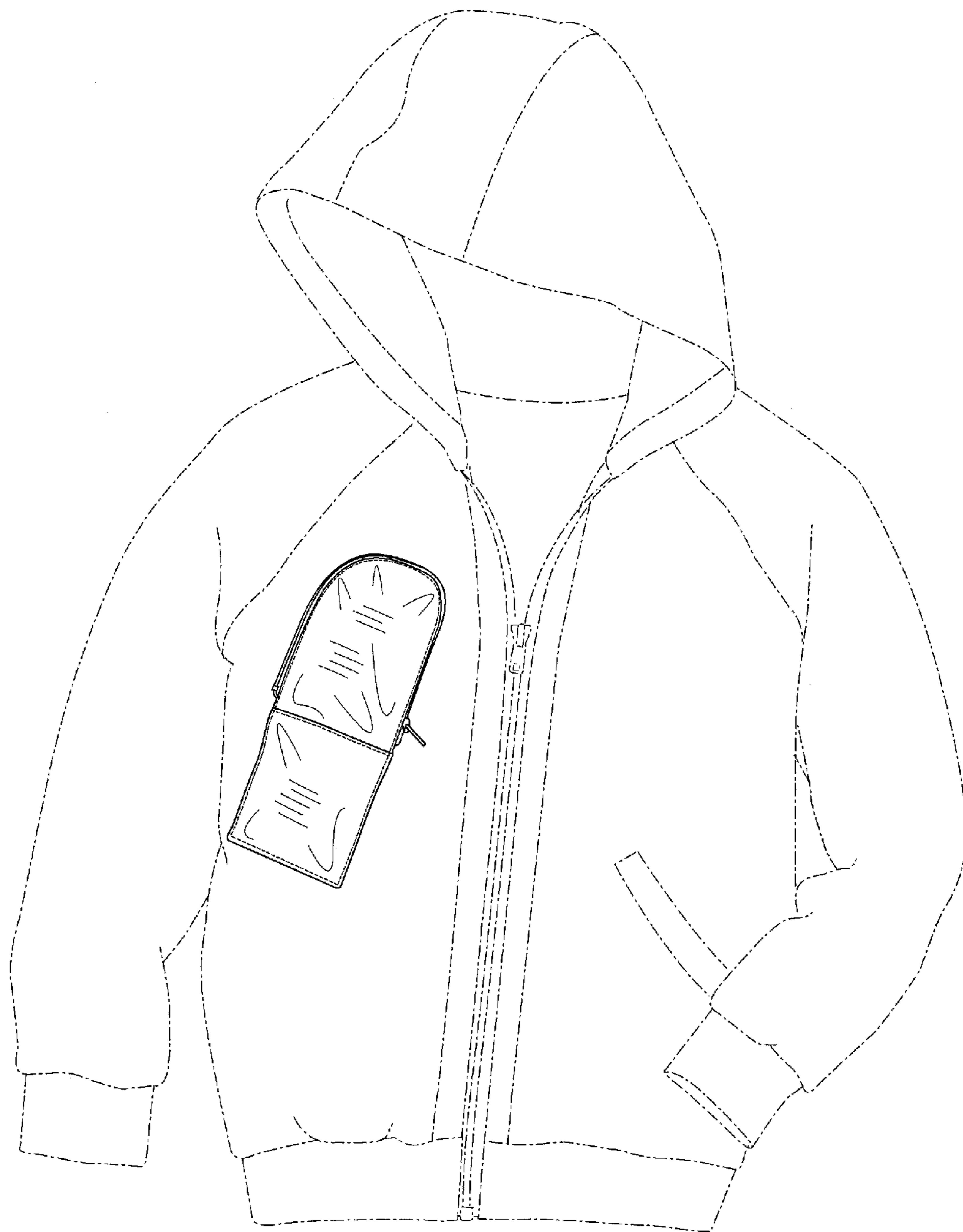


FIG. 1



FIG. 2

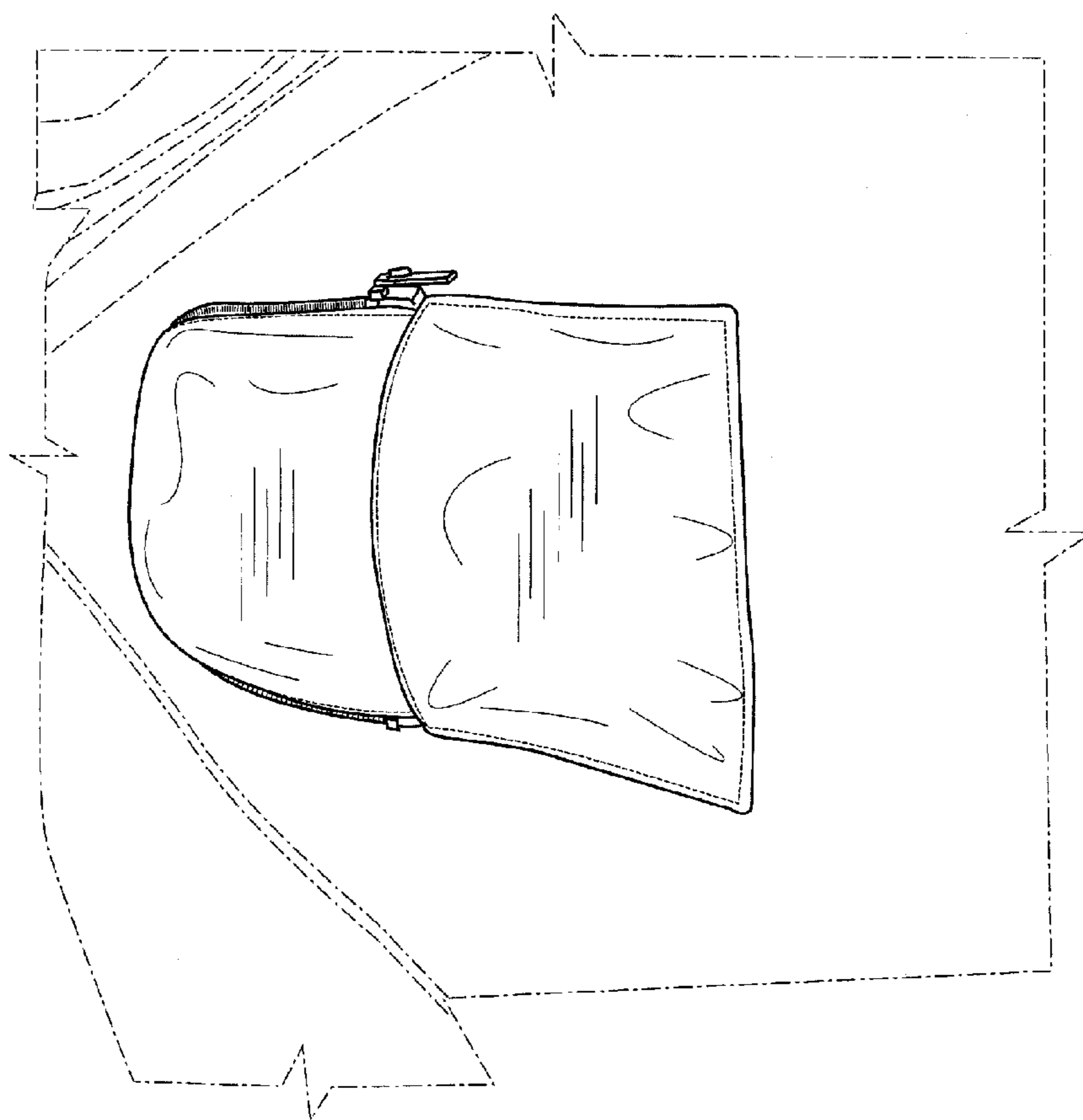


FIG. 3

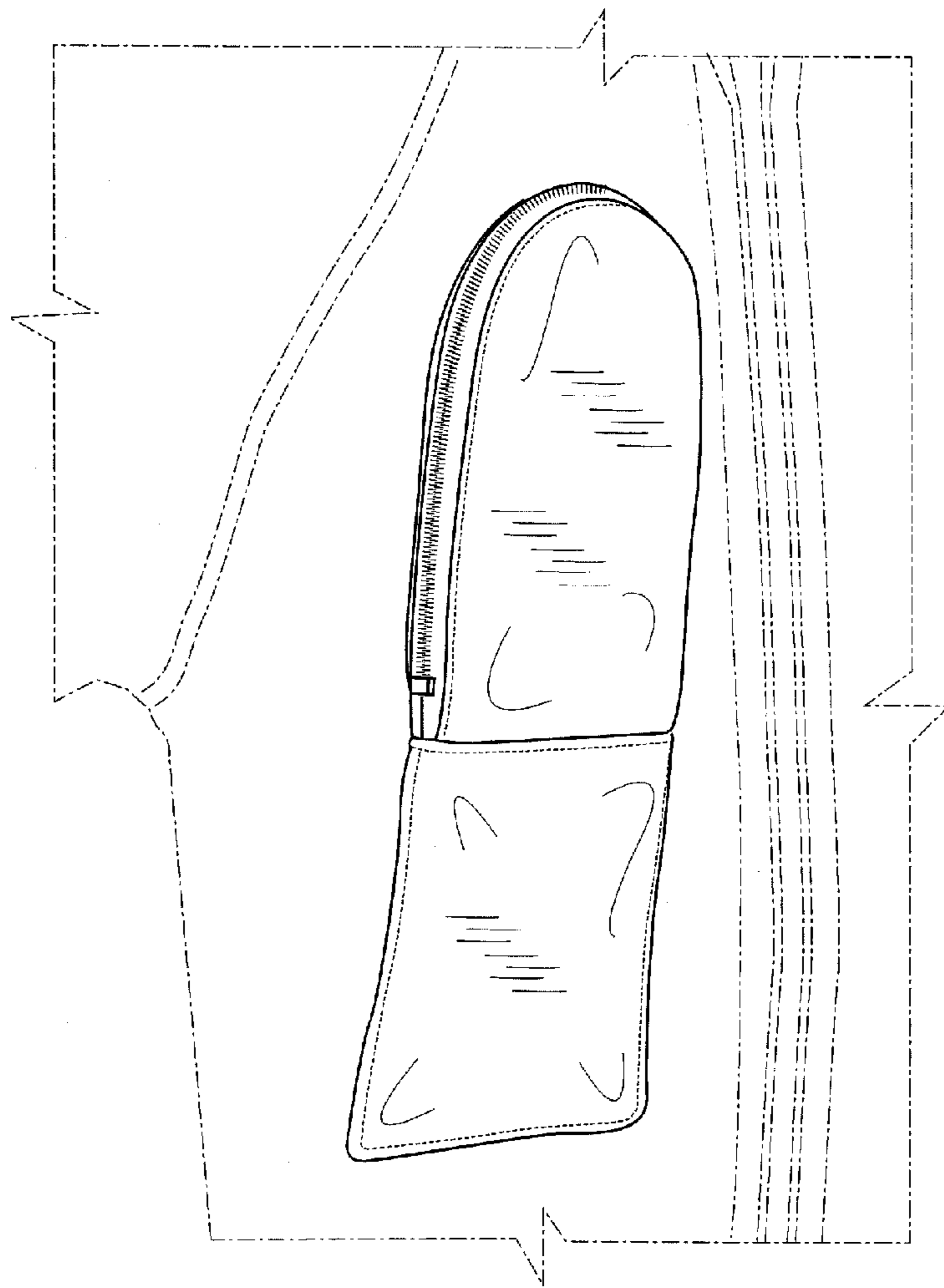


FIG. 4

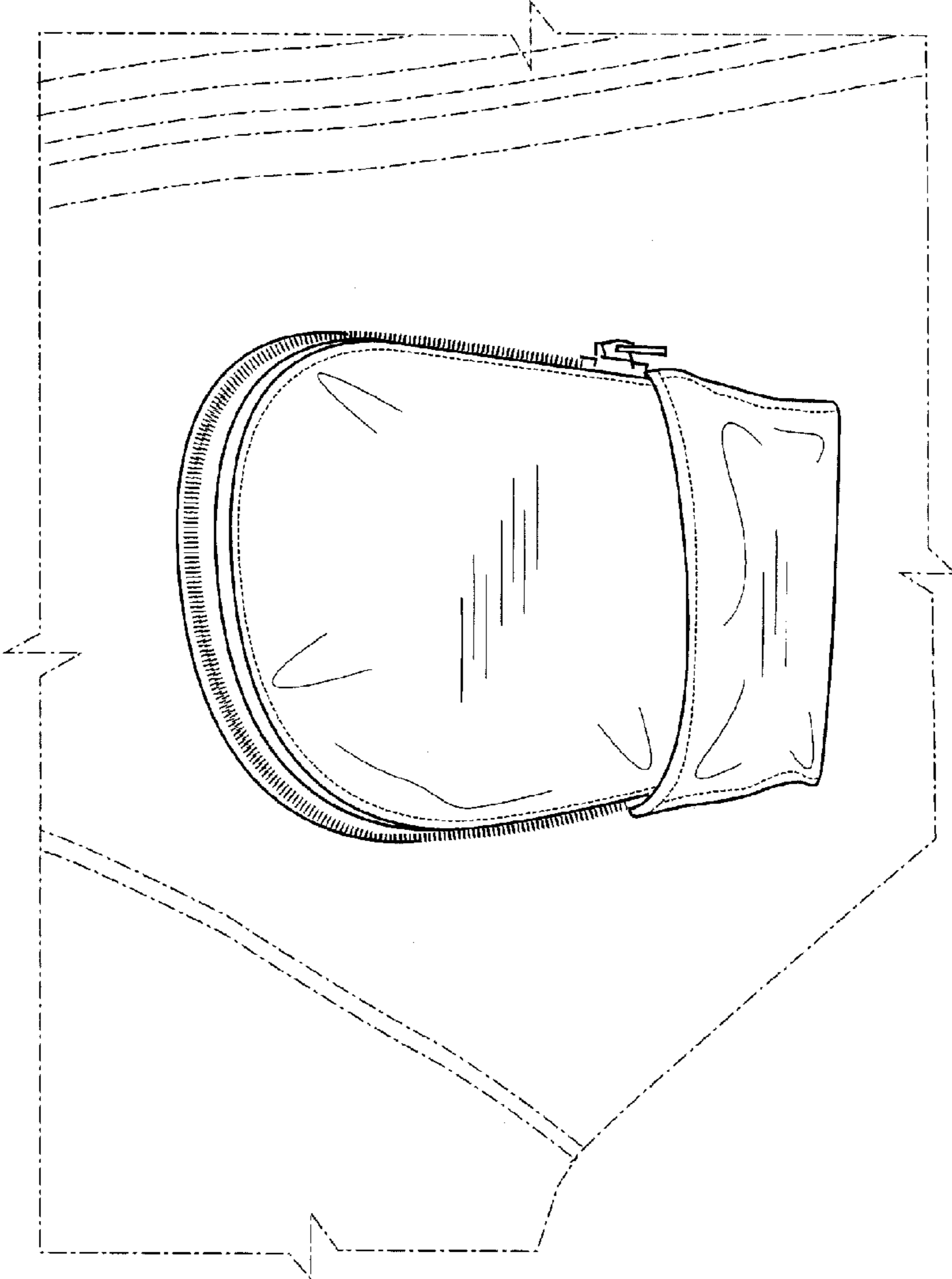


FIG. 5



FIG. 6



FIG. 7

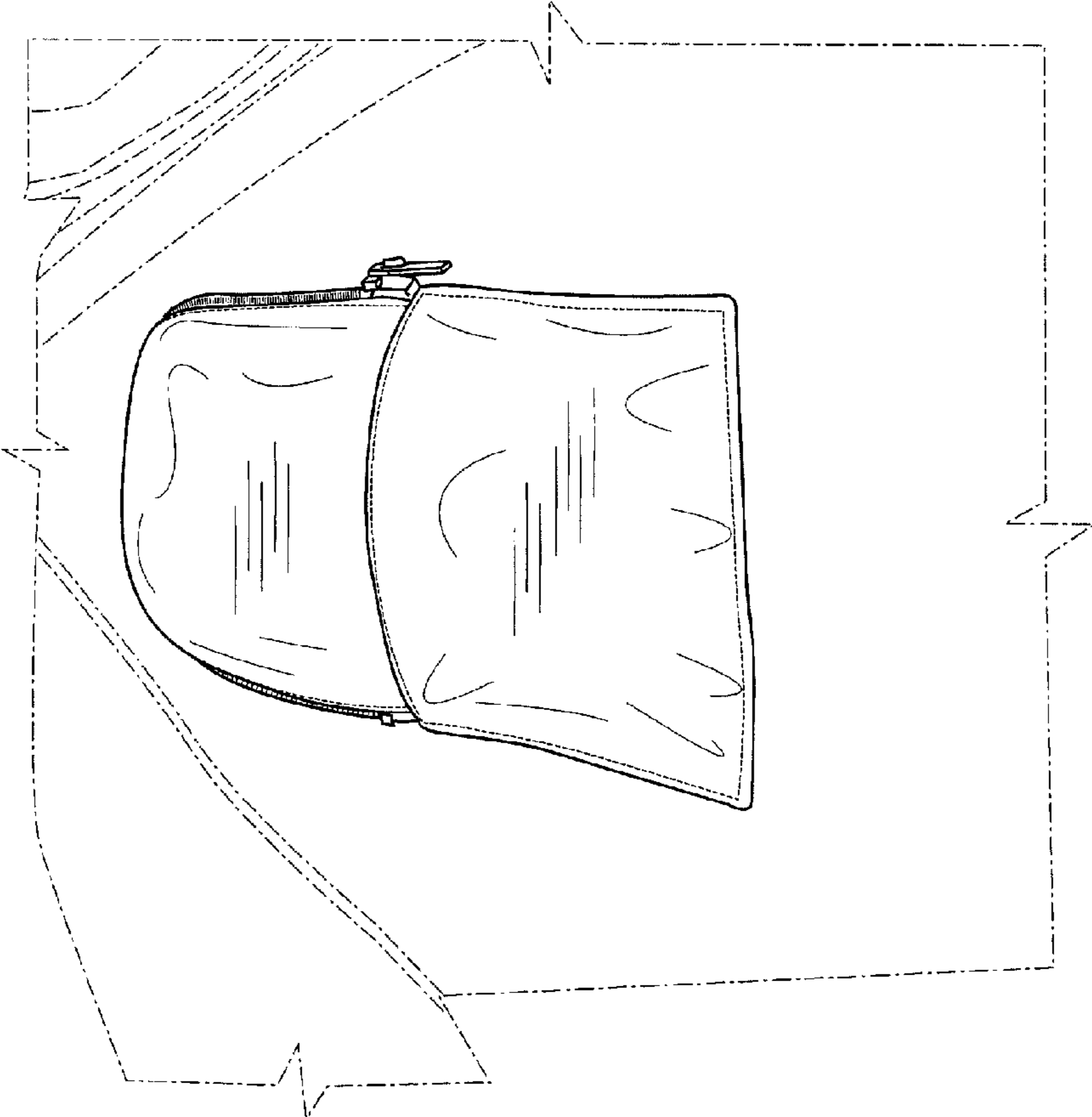


FIG. 8

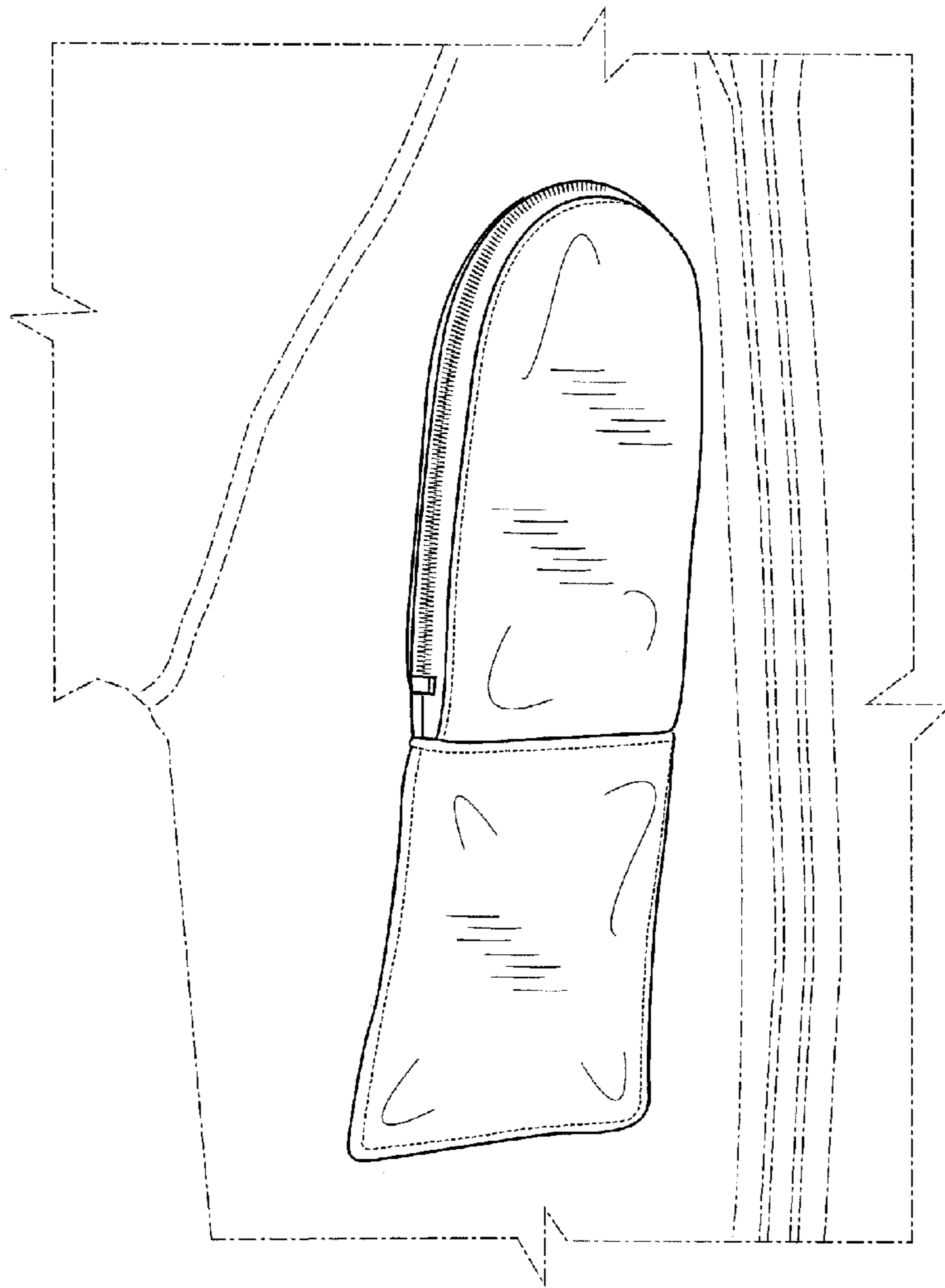


FIG. 9

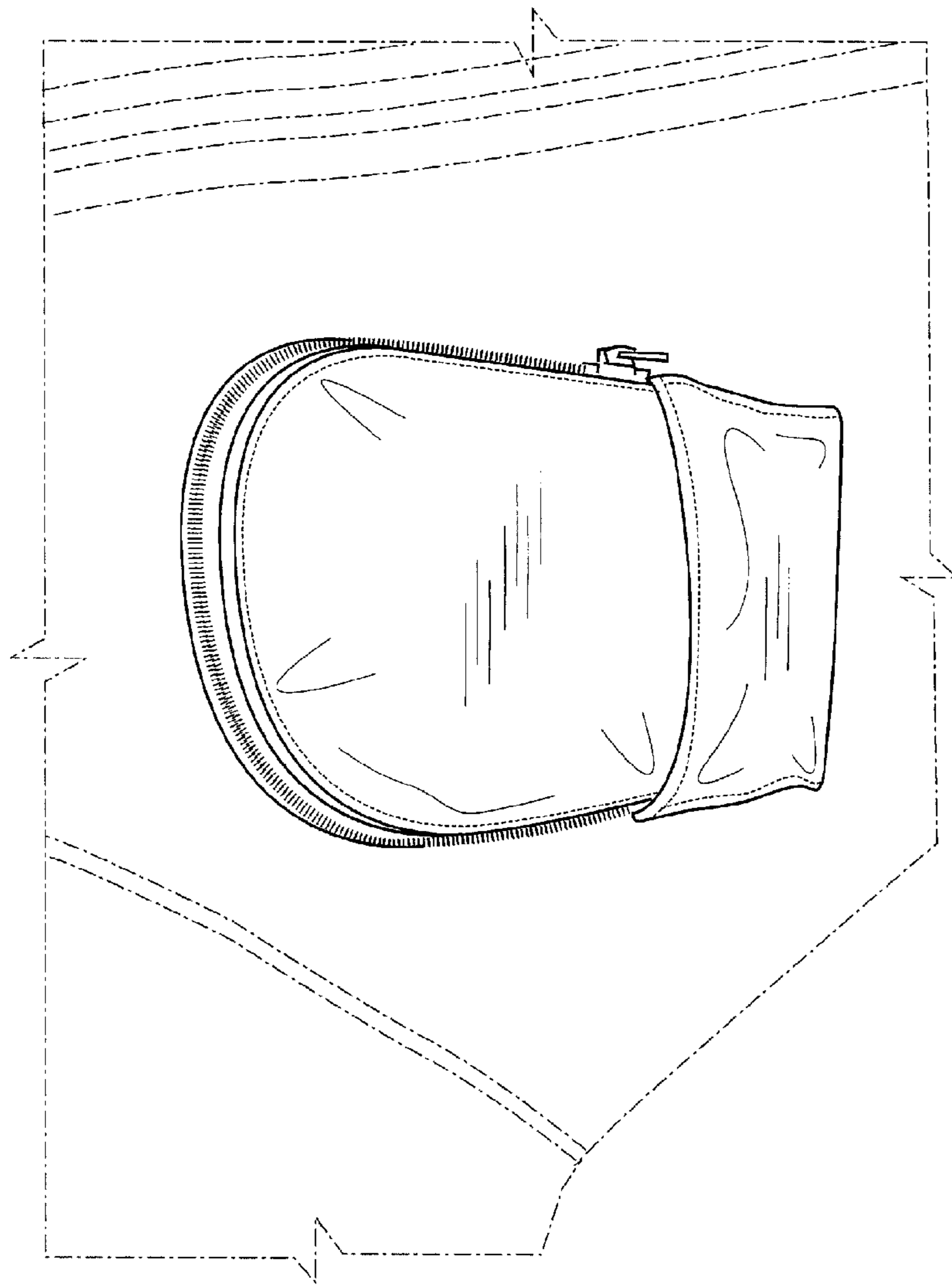


FIG. 10