



US00D689664S

(12) **United States Design Patent**
Dietvorst et al.

(10) **Patent No.:** **US D689,664 S**
(45) **Date of Patent:** **** Sep. 10, 2013**

(54) **LIQUID DISPENSER**

(56) **References Cited**

(71) Applicant: **Reckitt Benckiser LLC**, Parsippany, NJ
(US)

(72) Inventors: **Taco Dietvorst**, Eindhoven (NL);
Christopher Leonard Padain, Henley
on Thames (GB); **Stephanie Anne**
Marije Verschoor, Middlesex (GB)

(73) Assignee: **Reckitt Benckiser LLC**, Parsippany, NJ
(US)

(**) Term: **14 Years**

(21) Appl. No.: **29/443,981**

(22) Filed: **Jan. 24, 2013**

(30) **Foreign Application Priority Data**

Jul. 8, 2012 (EM) 002084756-0001

(51) **LOC (9) Cl.** **07-05**

(52) **U.S. Cl.**
USPC **D32/75**

(58) **Field of Classification Search**
USPC D32/75; D23/215, 75, 212; D7/591,
D7/615, 596; D9/502, 504, 523; 222/480,
222/541.6

See application file for complete search history.

U.S. PATENT DOCUMENTS

D168,595	S	*	1/1953	Roop	D32/75
D218,147	S	*	7/1970	Jordan	D9/523
D255,920	S	*	7/1980	Antonell	D23/215
4,274,563	A	*	6/1981	Otterson	222/480
D318,778	S	*	8/1991	Fiore et al.	D7/591
D399,050	S	*	10/1998	Evans	D3/203.2
D408,688	S	*	4/1999	Fabry	D7/597
D456,265	S	*	4/2002	Spear	D9/502
D471,458	S	*	3/2003	Booth et al.	D9/504
D496,830	S	*	10/2004	Hockey	D7/591
D567,091	S	*	4/2008	Glydon et al.	D9/504
D588,872	S	*	3/2009	Gospodarski	D7/591
D668,509	S	*	10/2012	Beugelsdijk et al.	D7/615

* cited by examiner

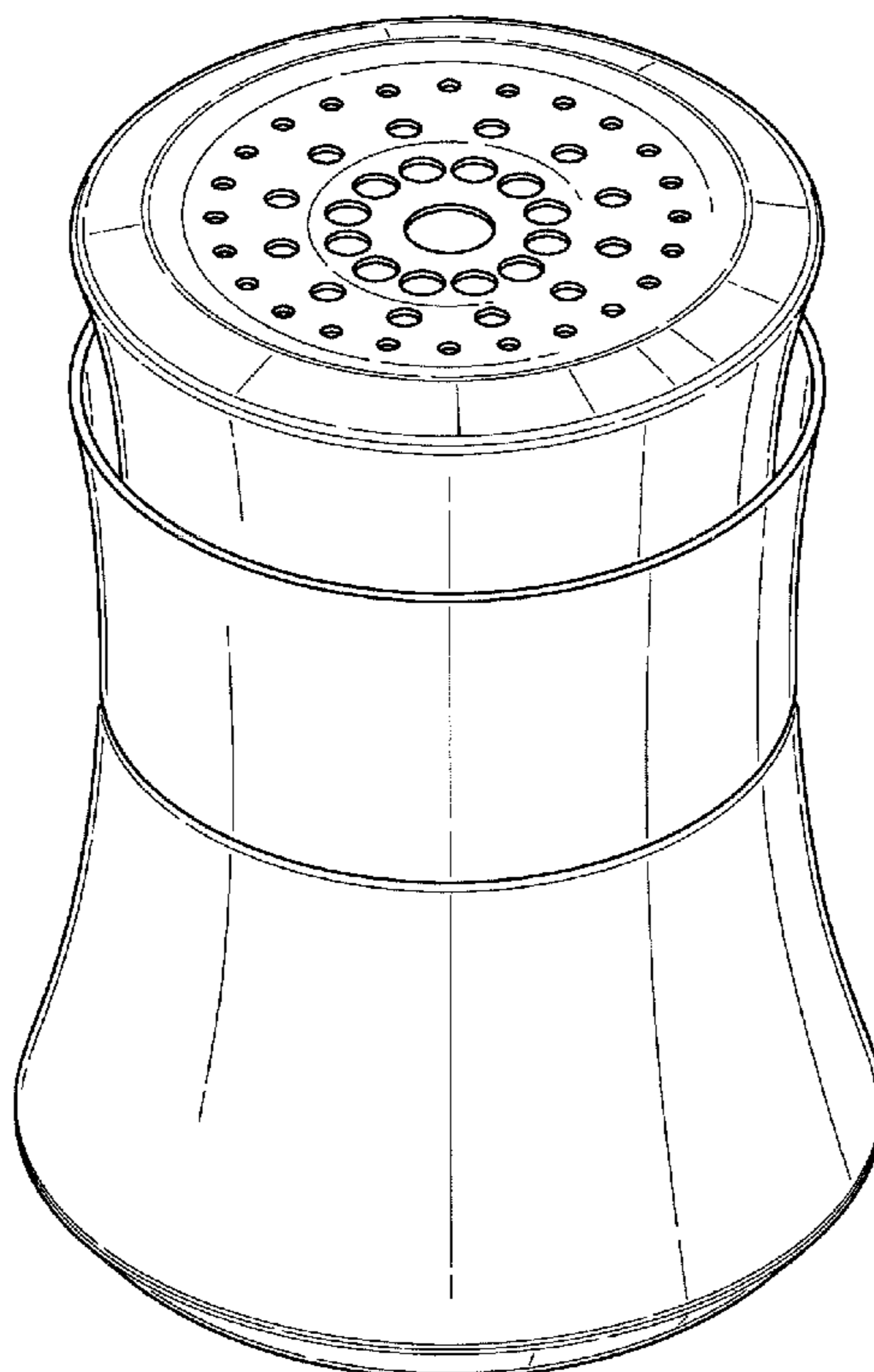
Primary Examiner — Austin Murphy
(74) *Attorney, Agent, or Firm* — Norris McLaughlin & Marcus PA

(57) **CLAIM**
The ornamental design for a liquid dispenser, as shown and described.

DESCRIPTION

FIG. 1 is a perspective view of a liquid dispenser;
FIG. 2 is a front elevational view thereof;
FIG. 3 is a rear elevational view thereof;
FIG. 4 is a right side elevational view thereof;
FIG. 5 is a left side elevational view thereof;
FIG. 6 is a top plan view thereof; and,
FIG. 7 is a bottom plan view thereof.

1 Claim, 6 Drawing Sheets



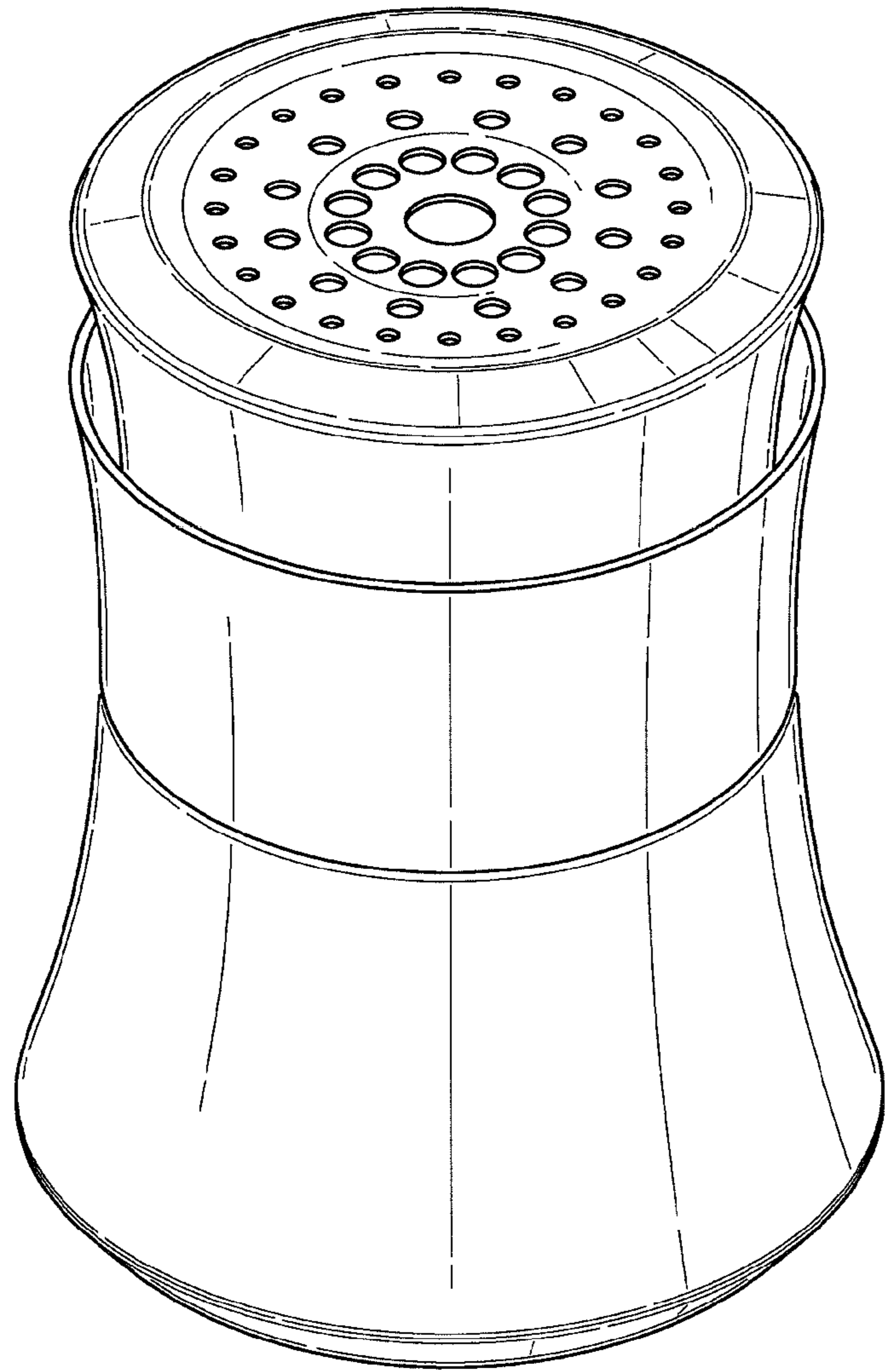


Fig. 1

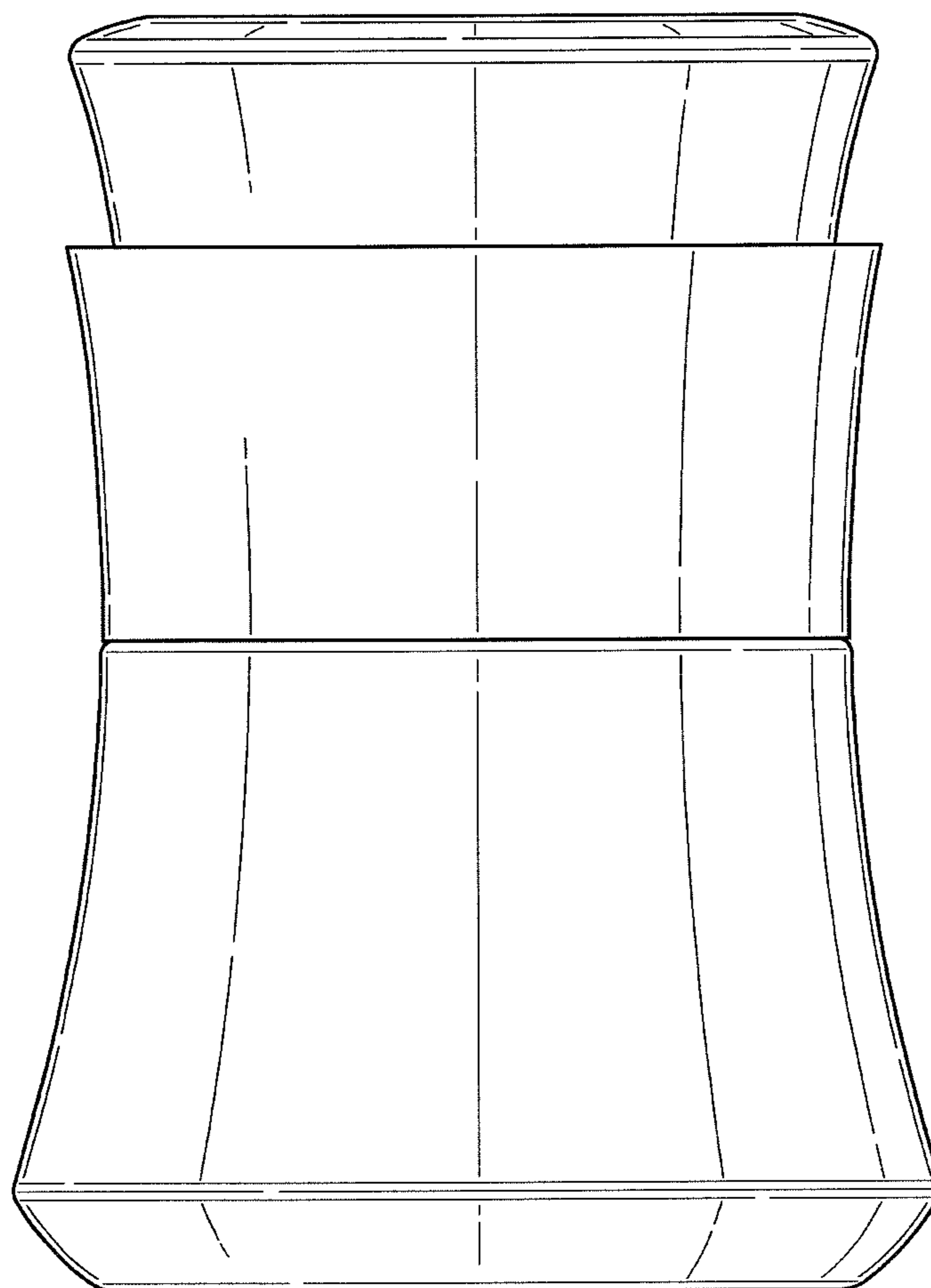


Fig. 2

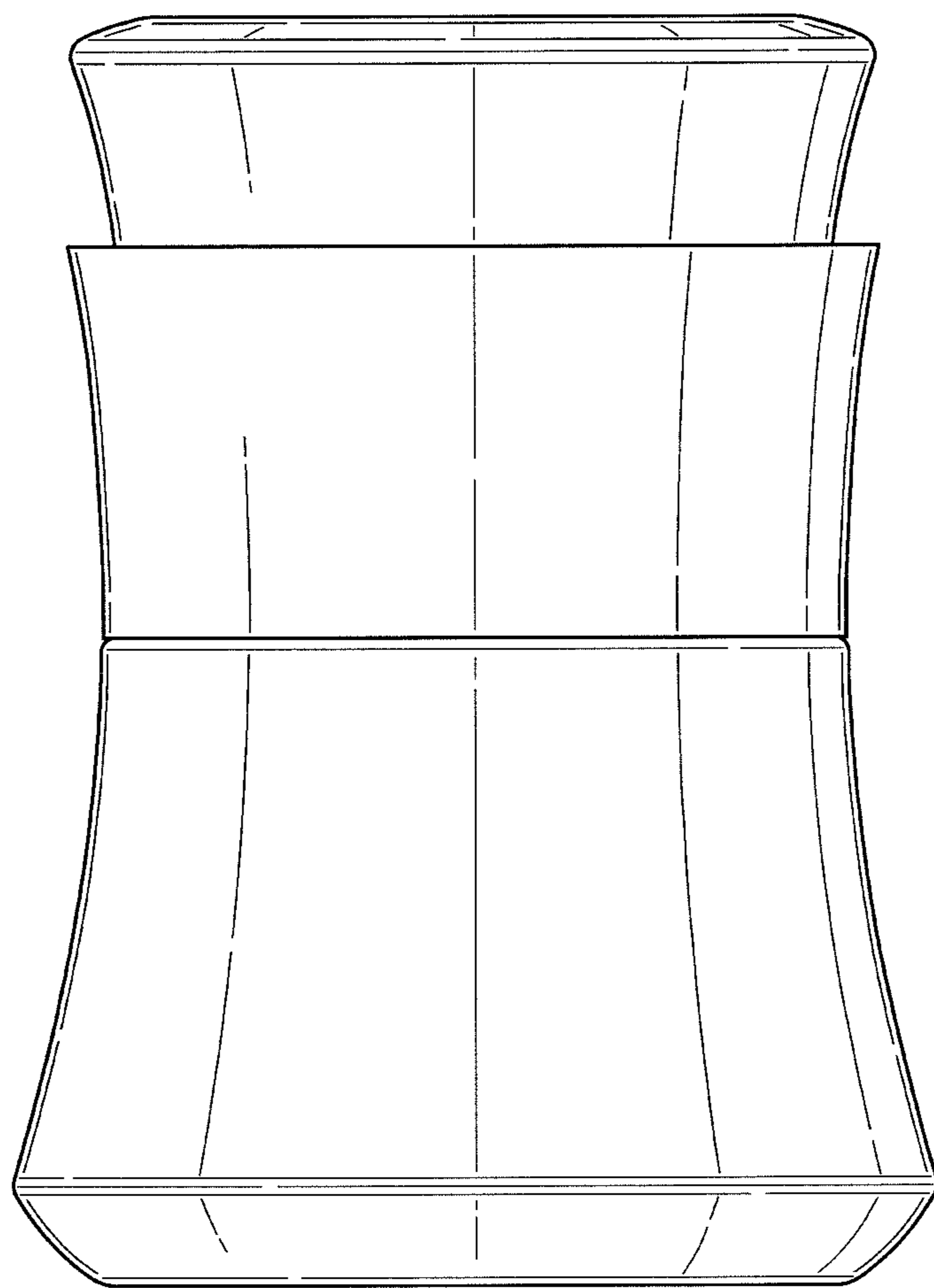


Fig. 3

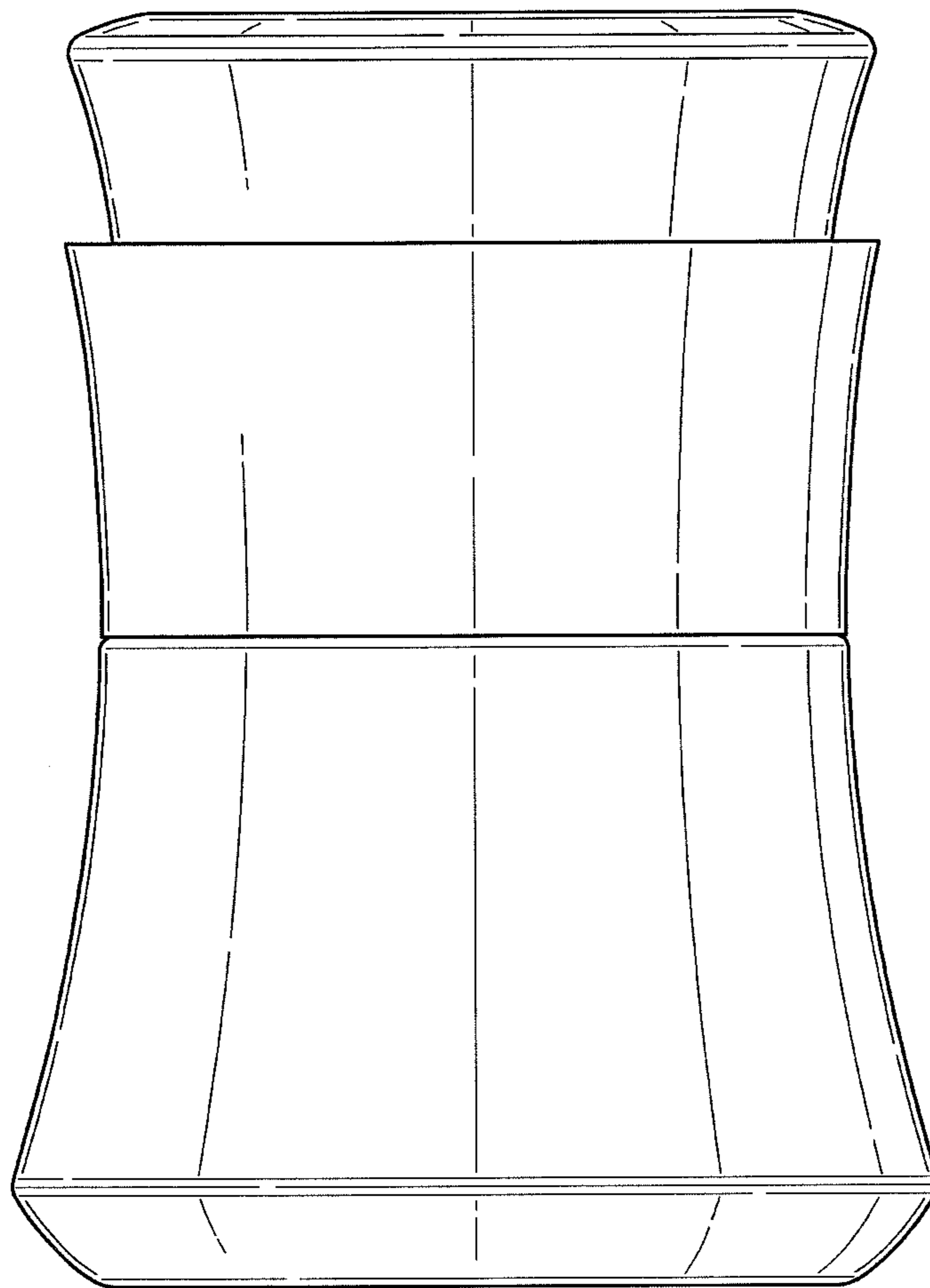


Fig. 4

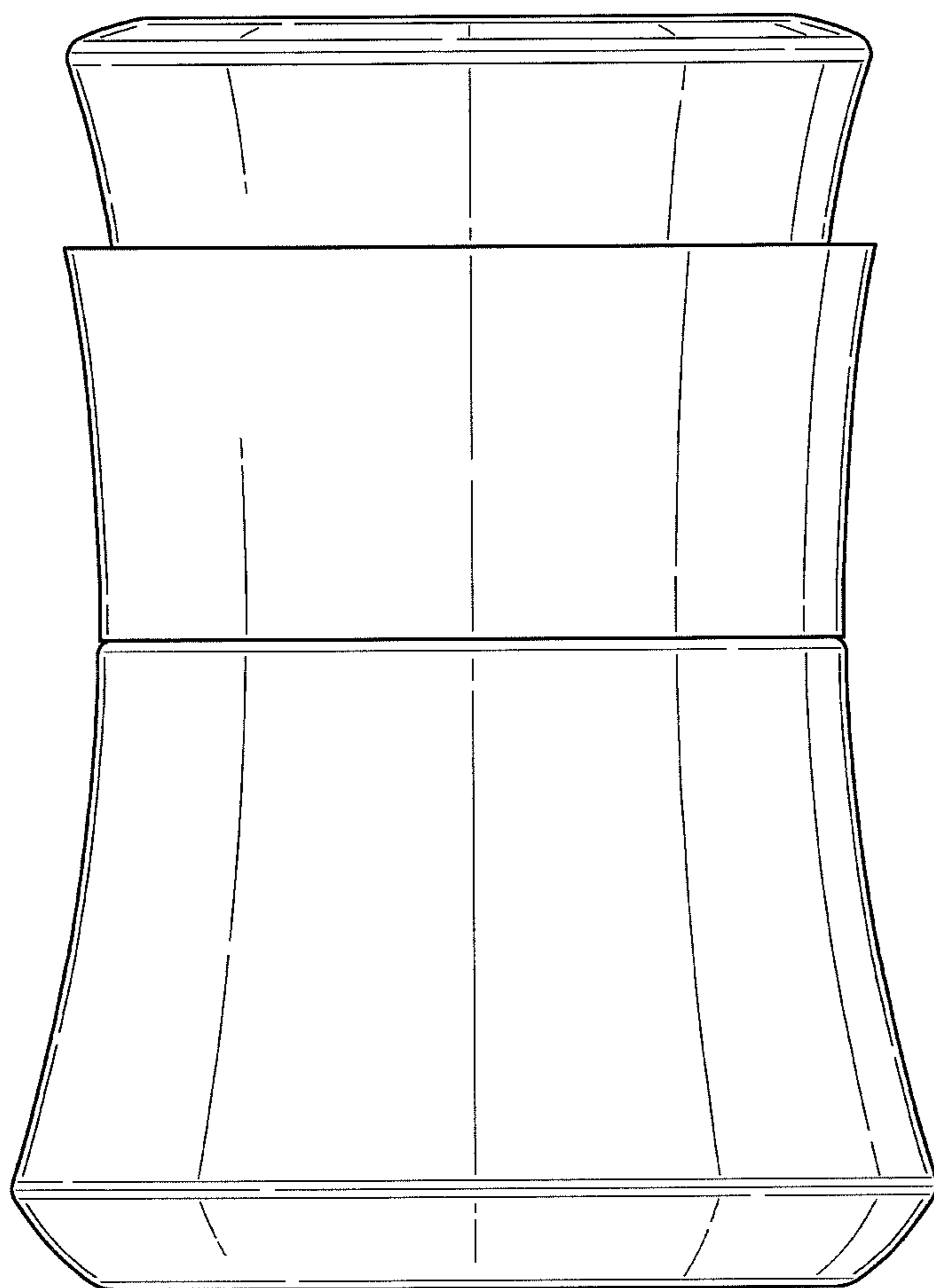


Fig. 5

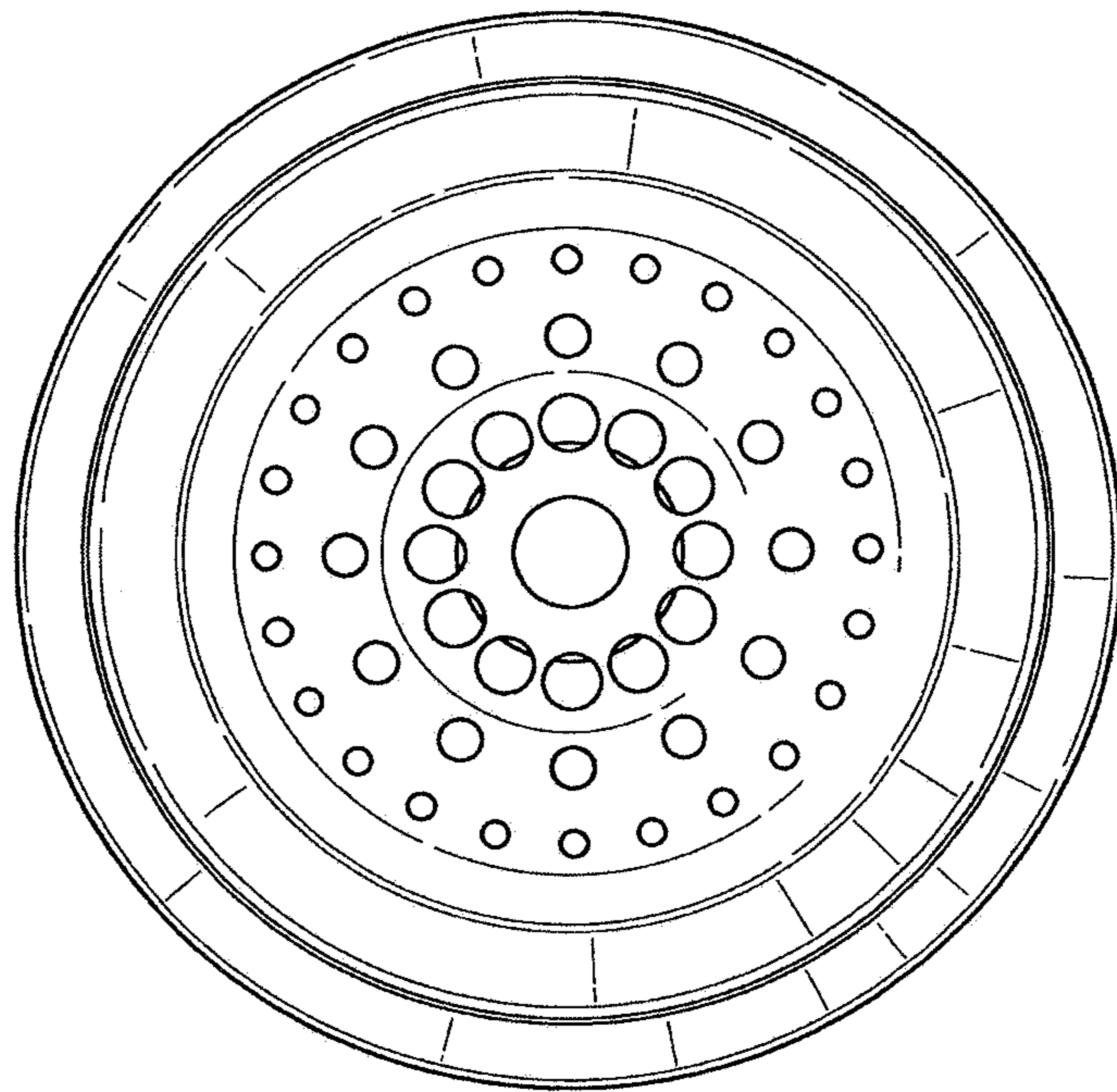


Fig. 6

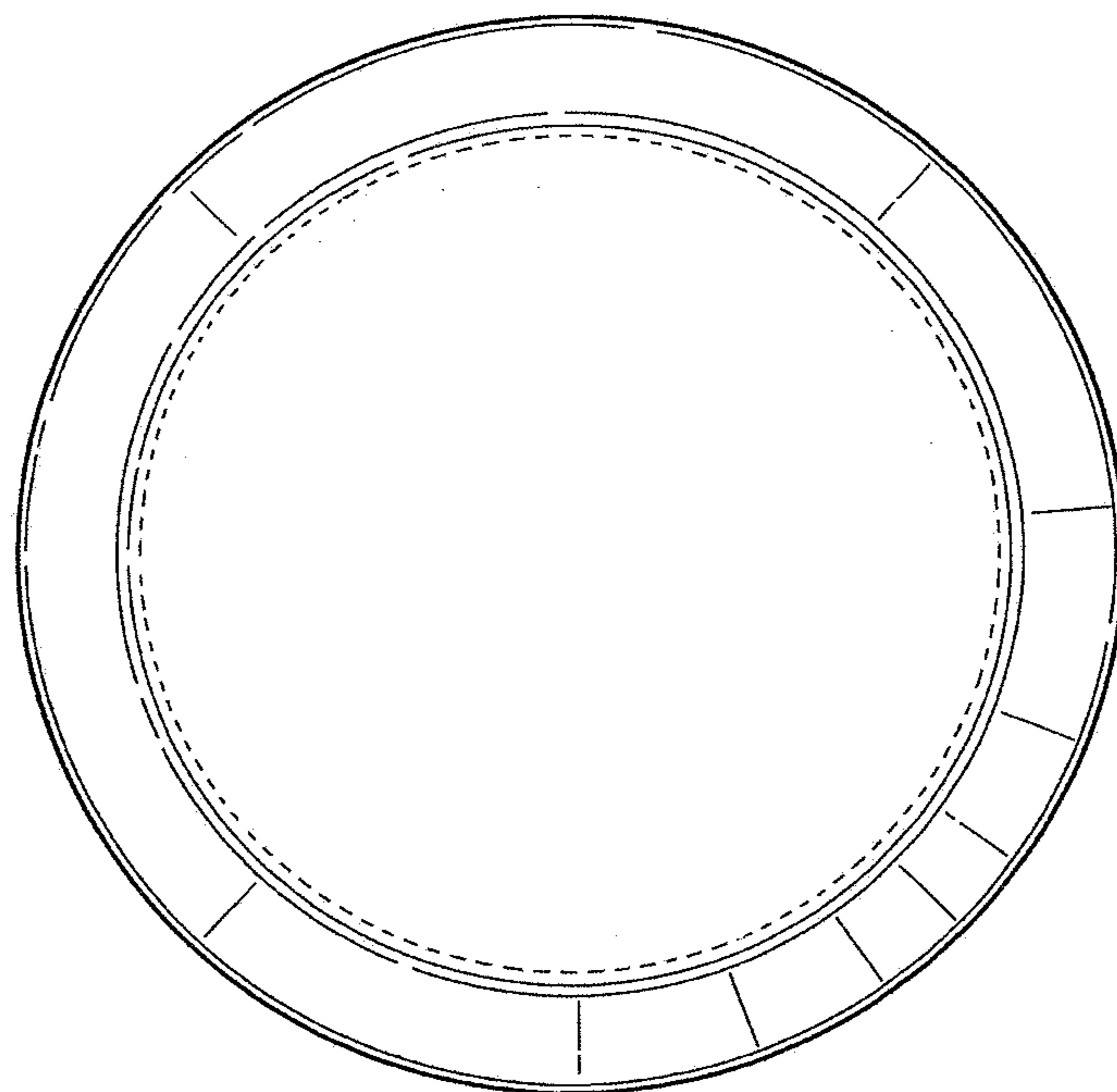


Fig. 7

UNITED STATES PATENT AND TRADEMARK OFFICE
CERTIFICATE OF CORRECTION

PATENT NO. : D689,664 S
APPLICATION NO. : 29/443981
DATED : September 10, 2013
INVENTOR(S) : Taco Dietvorst et al.

Page 1 of 1

It is certified that error appears in the above-identified patent and that said Letters Patent is hereby corrected as shown below:

On the Title Page, Item [30], the Foreign Application Priority Data:

“July 8, 2012 (EM) 002084756-0001” should read

-- August 7, 2012 (EM) 002084756-0001 --

Signed and Sealed this
Seventeenth Day of June, 2014



Michelle K. Lee
Deputy Director of the United States Patent and Trademark Office