



US00D689662S

(12) **United States Design Patent**
Vigil et al.

(10) **Patent No.:** **US D689,662 S**

(45) **Date of Patent:** **** Sep. 10, 2013**

(54) **WEB REMOVAL TOOL**

(71) Applicants: **Leatrice Vigil**, Port Orchard, WA (US);
David E. Vigil, Port Orchard, WA (US)

(72) Inventors: **Leatrice Vigil**, Port Orchard, WA (US);
David E. Vigil, Port Orchard, WA (US)

(**) Term: **14 Years**

(21) Appl. No.: **29/441,036**

(22) Filed: **Dec. 31, 2012**

(51) **LOC (9) Cl.** **08-99**

(52) **U.S. Cl.**
USPC **D32/35; D23/379**

(58) **Field of Classification Search**
USPC D32/35, 40, 51, 52; D8/61, 68; D19/36;
D3/5, 7; D23/370, 377, 379; 15/1.51, 1.52,
15/300.1, 330, 377, 387, 345; 74/133; 135/16;
248/558; 362/35; 416/63, 146 R
See application file for complete search history.

(56) **References Cited**

U.S. PATENT DOCUMENTS

1,148,332	A *	7/1915	Onyskow	135/16
1,329,816	A *	2/1920	Winslow	248/558
D123,633	S *	11/1940	Woodward	D23/379
3,035,451	A *	5/1962	O'Connell et al.	74/133
D297,887	S	10/1988	Hattersley		
D325,670	S	4/1992	Champigny		
D330,280	S	10/1992	Glassman		
D342,828	S	1/1994	Steinbach et al.		
5,361,793	A	11/1994	Stahnke		
D354,979	S *	1/1995	Tsuji	D19/36

5,755,245	A	5/1998	Van Helvoort		
D396,104	S *	7/1998	Radtke	D23/379
6,269,519	B1 *	8/2001	Harvey et al.	15/387
D448,152	S	9/2001	Folise		
D450,440	S	11/2001	Clarke et al.		
7,251,857	B2 *	8/2007	Caruso	15/377
D560,790	S *	1/2008	Chernick et al.	D23/379
7,445,349	B2 *	11/2008	Yu	362/35
D603,115	S *	10/2009	McNeil et al.	D32/40
D631,629	S *	1/2011	Libman et al.	D32/51
2006/0064826	A1 *	3/2006	Kimball	15/1.52
2010/0043169	A1 *	2/2010	Watzke	15/330

* cited by examiner

Primary Examiner — Caron D Veynar

Assistant Examiner — Martie K Holtje

(74) *Attorney, Agent, or Firm* — Robert C. Montgomery;
Montgomery Patent & Design

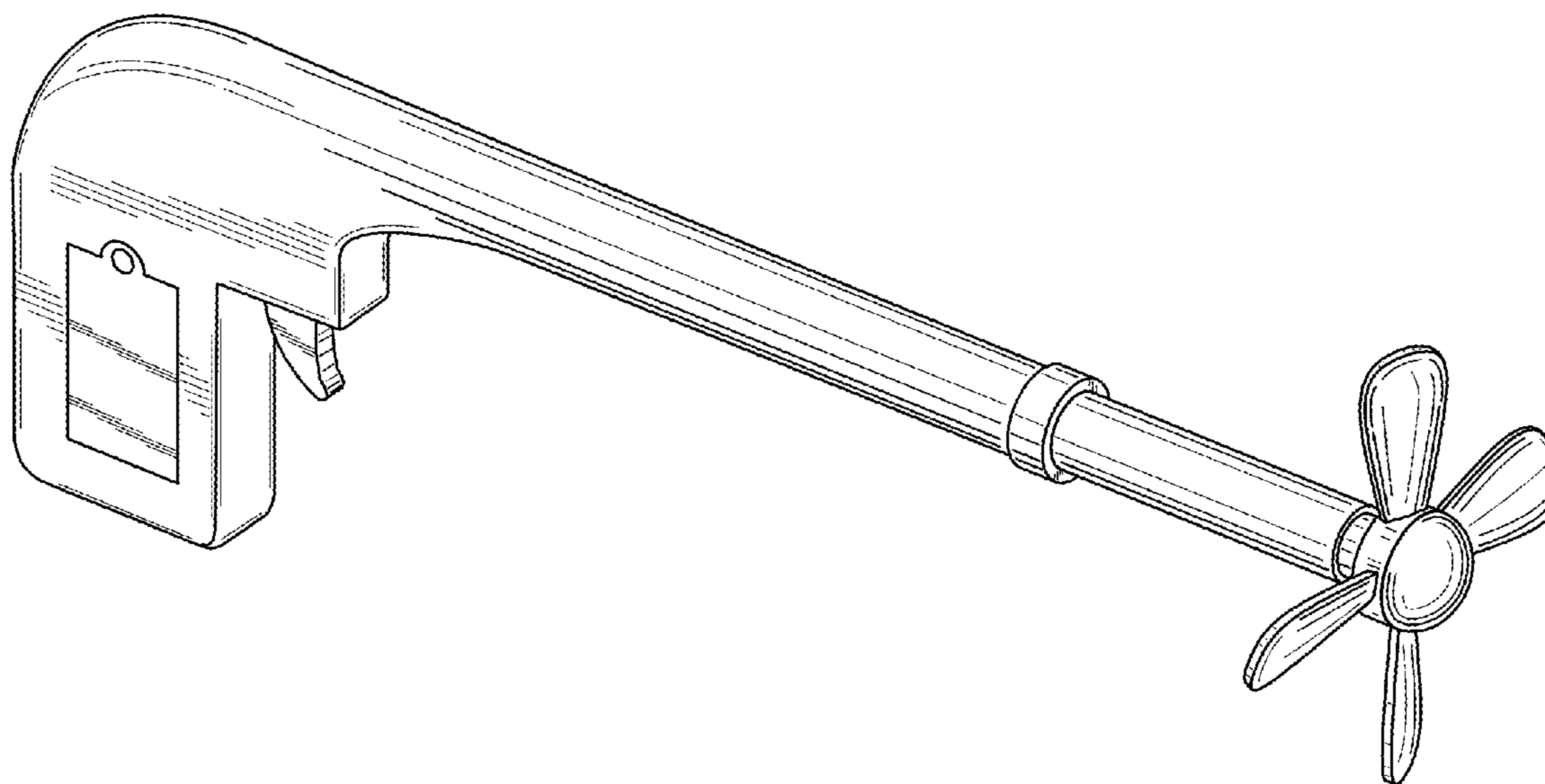
(57) **CLAIM**

The ornamental design for a web removal tool, as shown and described.

DESCRIPTION

FIG. 1 is a top, left side perspective view of a web removal tool showing our new design; FIG. 2 is a front view thereof; FIG. 3 is a rear view thereof; FIG. 4 is a left view thereof; FIG. 5 is a right view thereof; FIG. 6 is a top view thereof; and, FIG. 7 is a bottom view thereof.

1 Claim, 6 Drawing Sheets



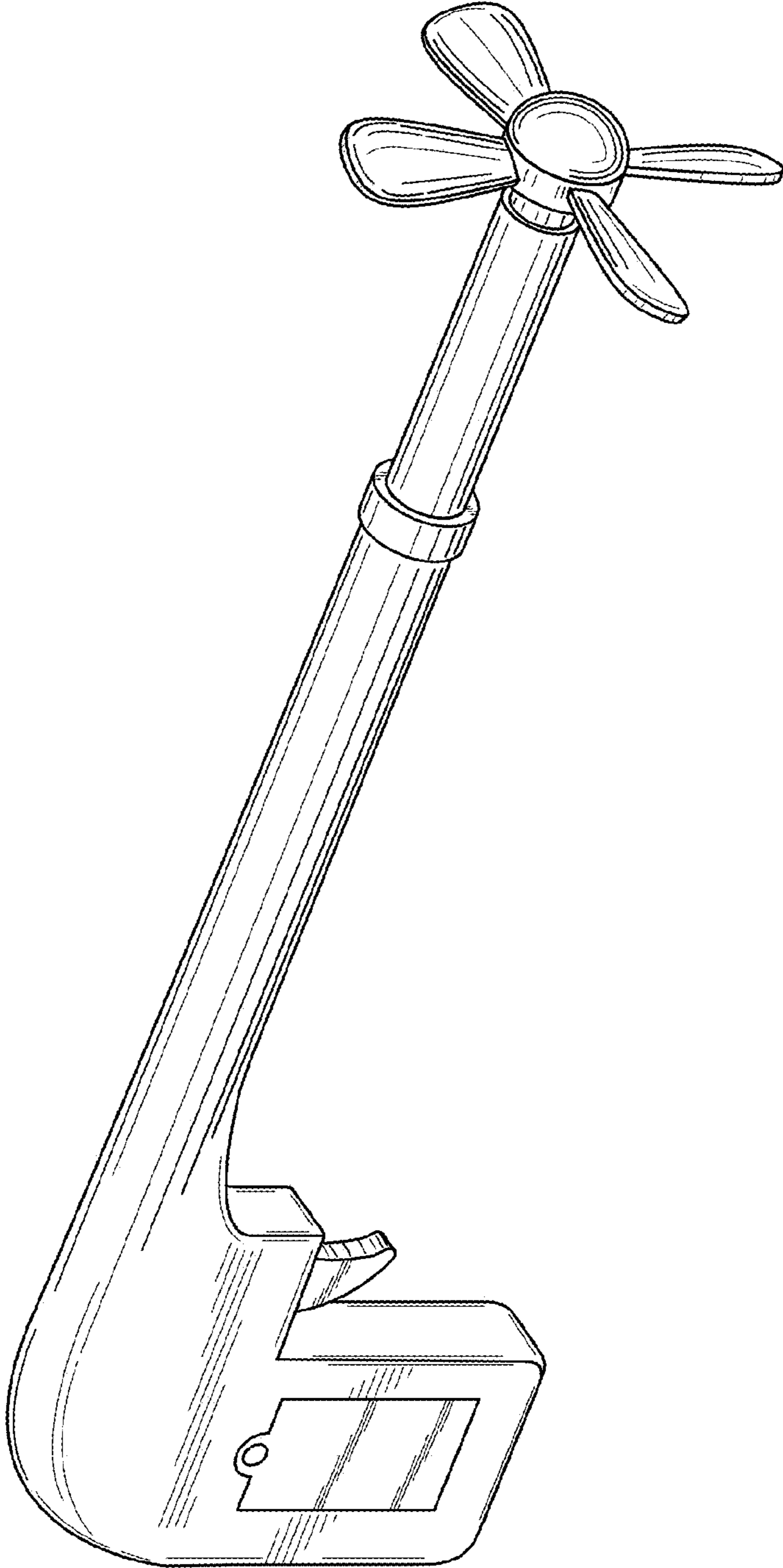


Fig. 1

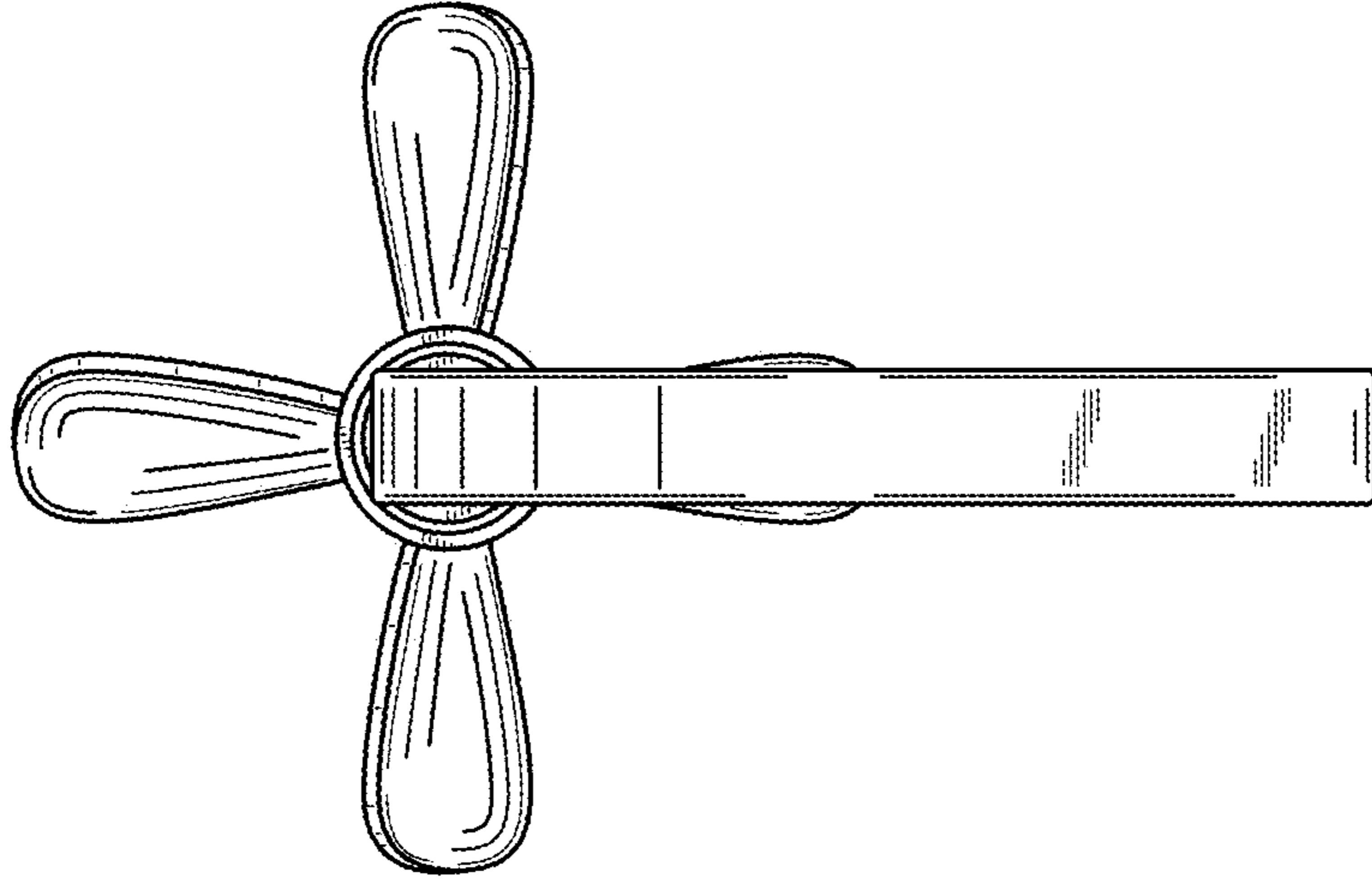


Fig. 3

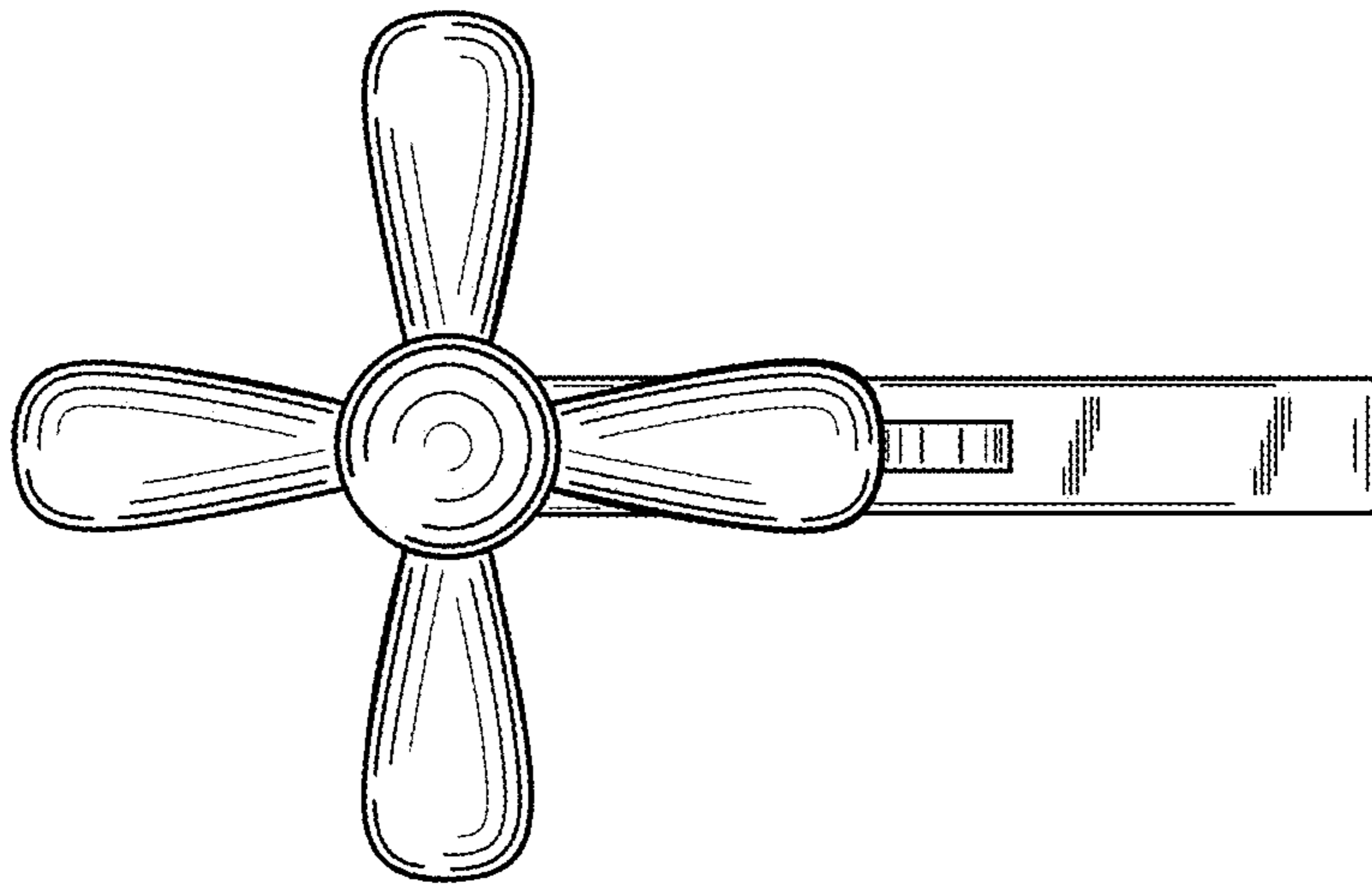


Fig. 2

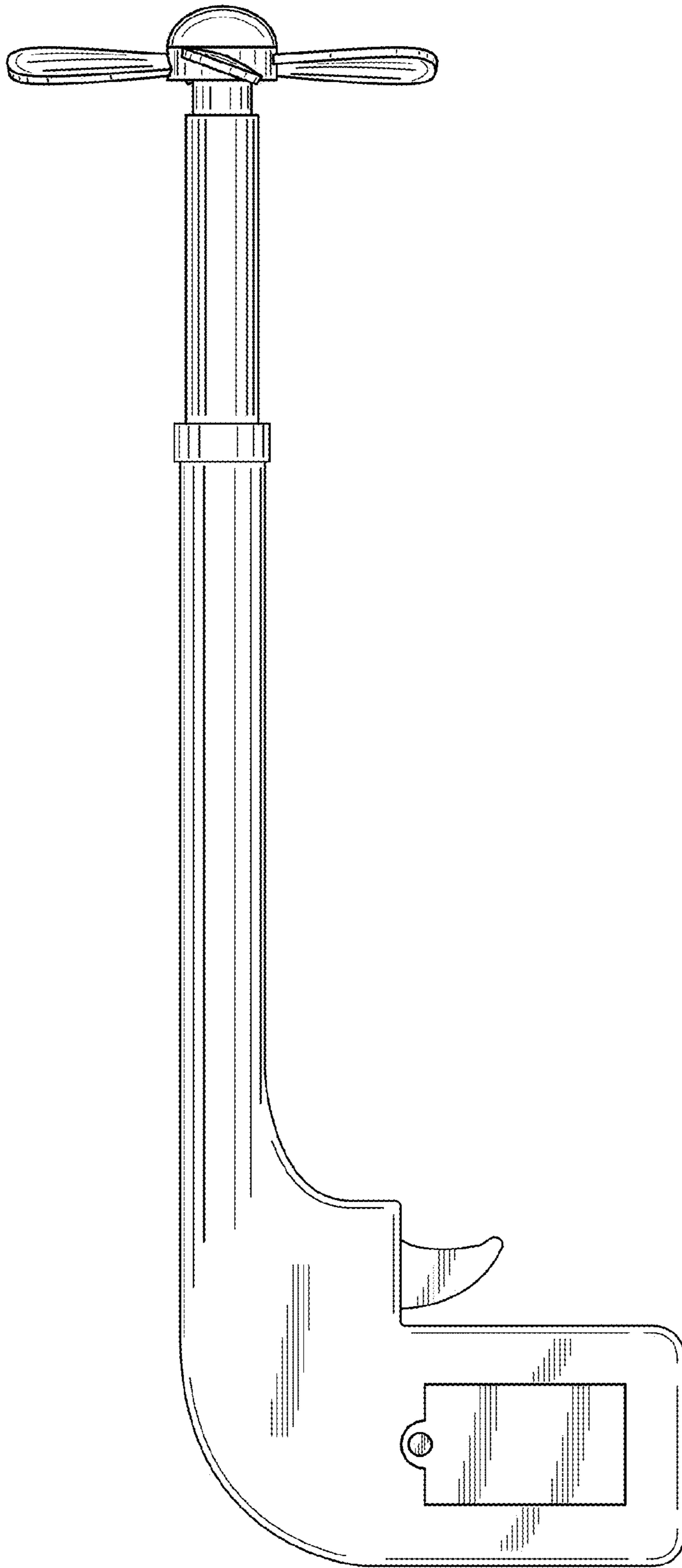


Fig. 4

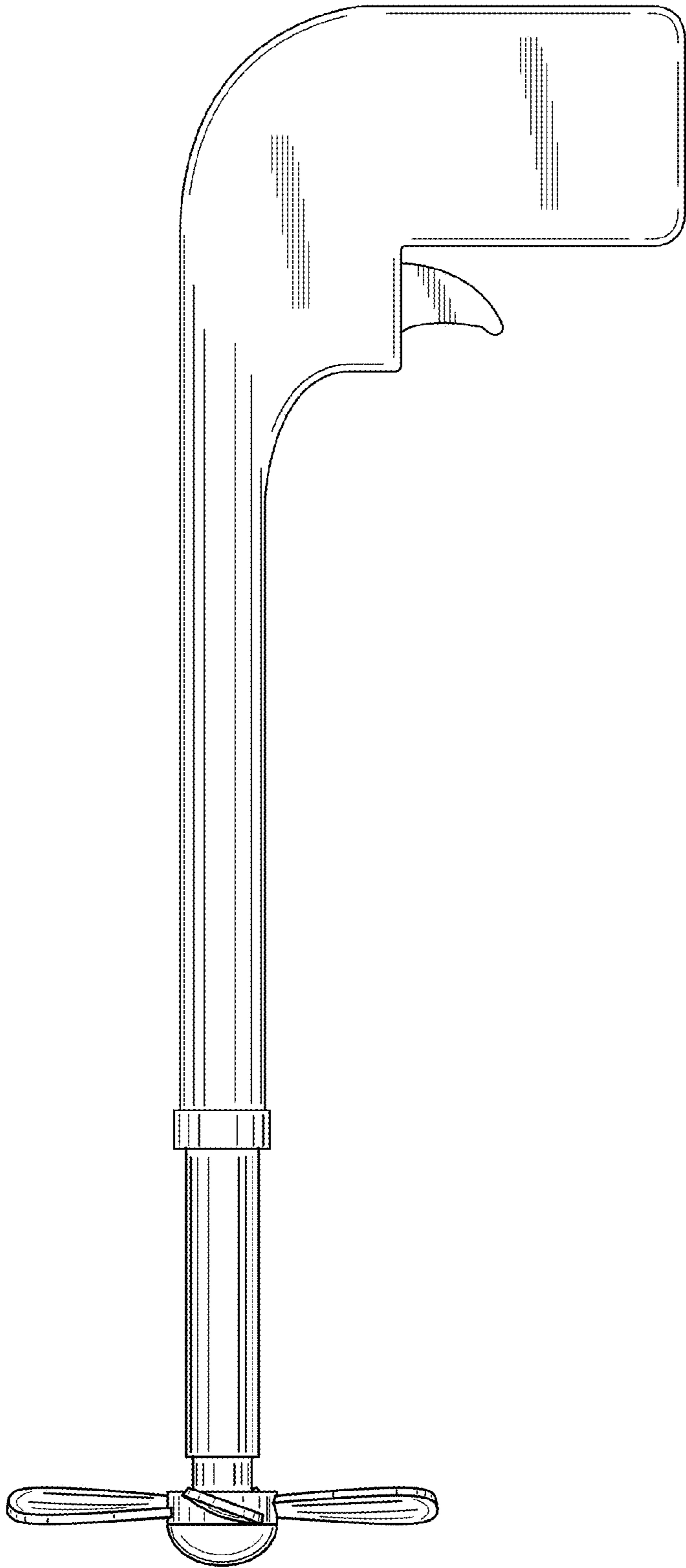


Fig. 5

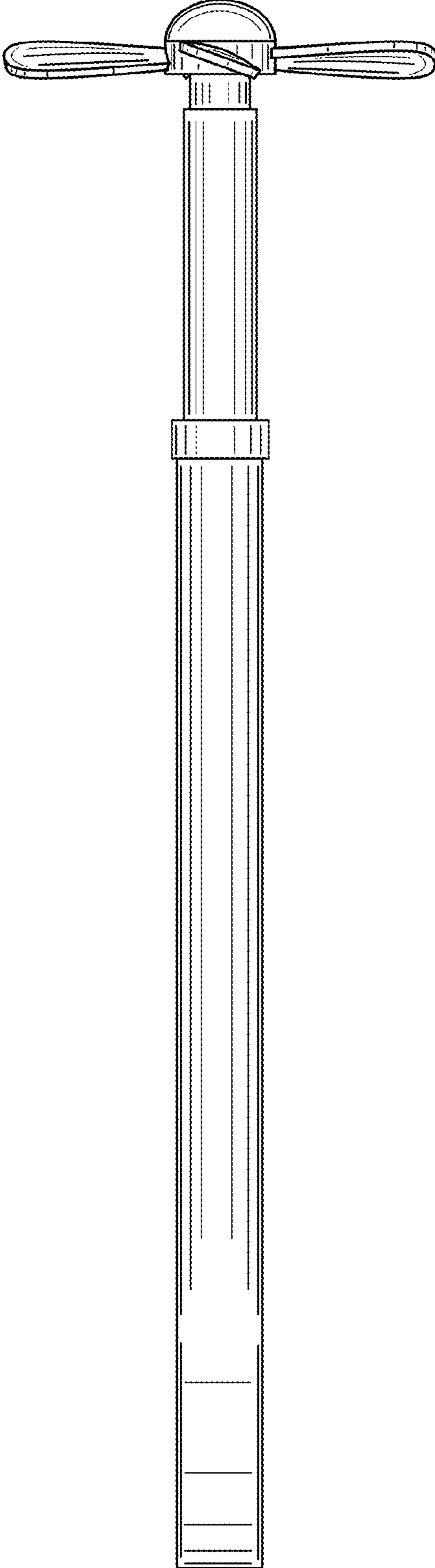


Fig. 6

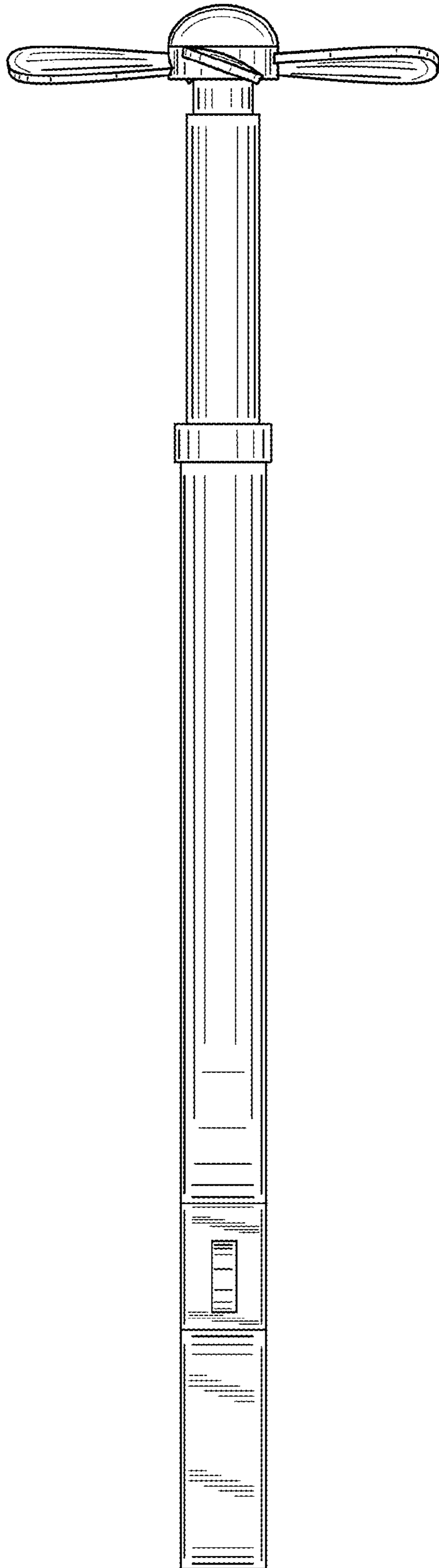


Fig. 7