



US00D689658S

(12) **United States Design Patent**  
**Sun**

(10) **Patent No.:** **US D689,658 S**  
(45) **Date of Patent:** **\*\* Sep. 10, 2013**

(54) **EXTERIOR SURFACE OF A CYCLONE RECEPTACLE**

(71) Applicant: **Electrolux Home Care Products, Inc.**,  
Charlotte, NC (US)

(72) Inventor: **Brian Wang Sun**, Bloomington, IL (US)

(73) Assignee: **Electrolux Home Care Products, Inc.**,  
Charlotte, NC (US)

(\*\*) Term: **14 Years**

(21) Appl. No.: **29/439,572**

(22) Filed: **Dec. 12, 2012**

(51) **LOC (9) Cl.** ..... **15-05**

(52) **U.S. Cl.**

USPC ..... **D32/31**

(58) **Field of Classification Search**

USPC ..... D32/22, 30-31, 34, 19-20; 55/429,  
55/337, DIG. 3, 459.1, 345, 399, 426, 440,  
55/452-453, 456, 463; 15/410, 347, 328,  
15/350, 352, 353, 361, DIG. 8, 246.2, 320-322,  
15/409, 28, 23, 179, 97.1, 24; 451/466;  
210/512.1

See application file for complete search history.

(56) **References Cited**

**U.S. PATENT DOCUMENTS**

471,272 A	3/1892	Morse	
1,508,315 A	9/1924	Brockway	
1,565,318 A *	12/1925	Fisher	55/417
2,010,128 A	8/1935	Arnold	
2,378,600 A	6/1945	Tongeren	
2,432,757 A	12/1947	Weniger	
2,542,634 A	2/1951	Davis et al.	
2,698,672 A	1/1955	Burnside et al.	
3,234,713 A	2/1966	Harper et al.	
3,320,727 A	5/1967	Farley et al.	

3,399,770 A	9/1968	Salmon
3,543,325 A	12/1970	Hamrick
3,745,965 A	7/1973	Ljung et al.
3,887,456 A	6/1975	Loughner
3,971,718 A	7/1976	Reid
4,059,419 A	11/1977	Ross
4,062,766 A	12/1977	Duesling
4,510,056 A	4/1985	Frykhult et al.
4,537,314 A	8/1985	Skardal
4,853,008 A	8/1989	Dyson
4,953,253 A	9/1990	Fukuda et al.

(Continued)

*Primary Examiner* — Ruth McInroy

(74) *Attorney, Agent, or Firm* — RatnerPrestia

(57) **CLAIM**

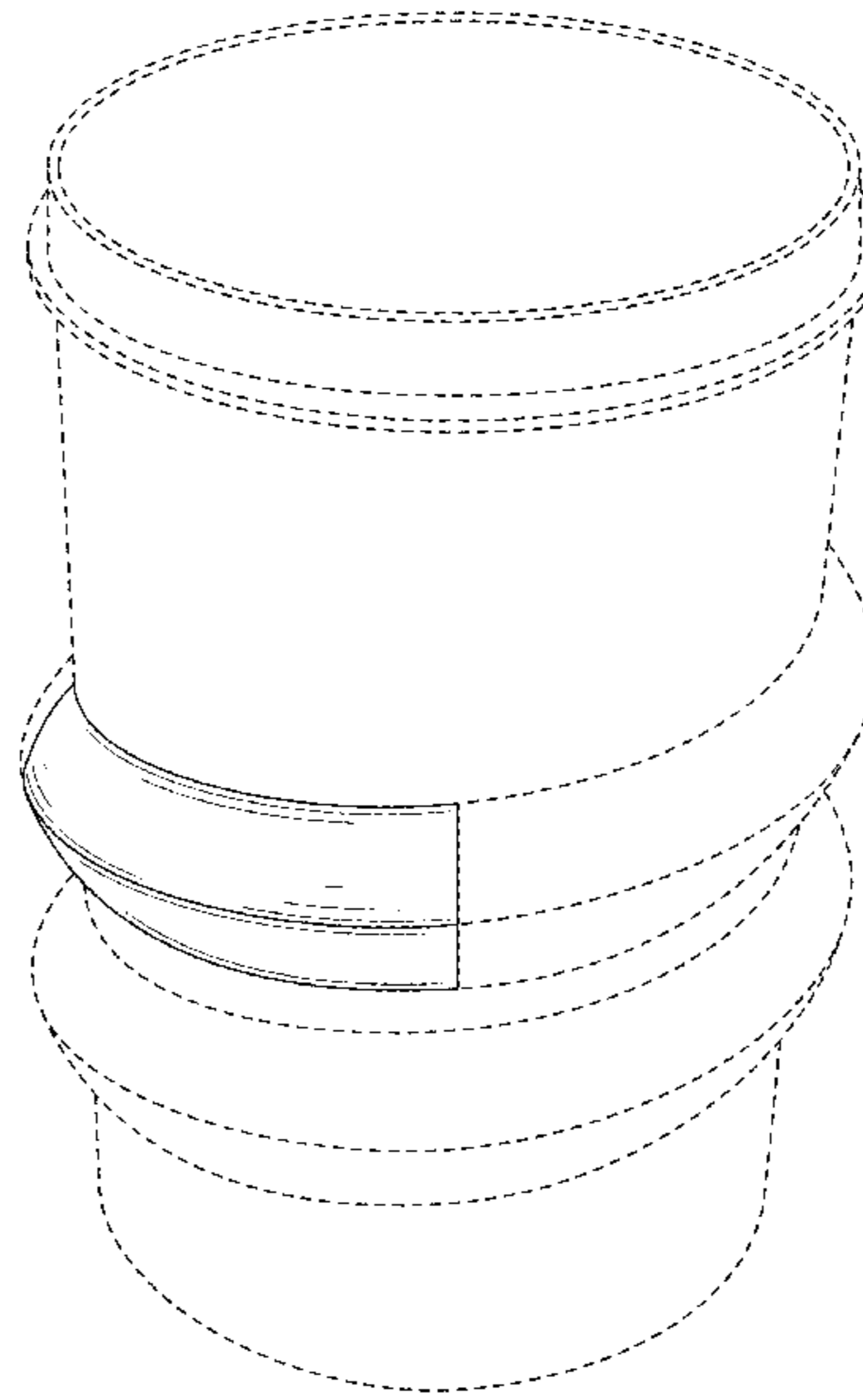
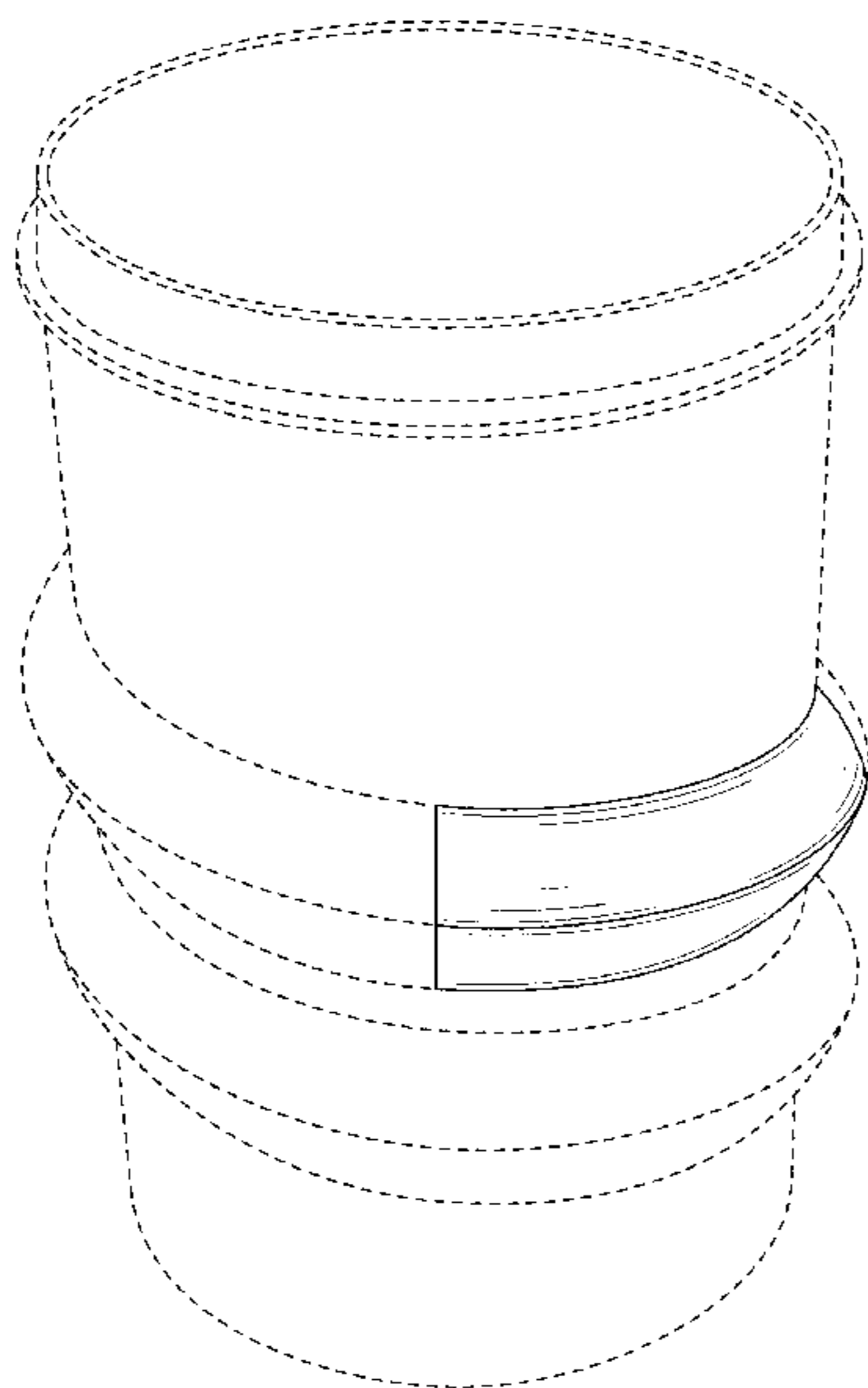
The ornamental design for an exterior surface of a cyclone receptacle, as shown and described.

**DESCRIPTION**

FIG. 1 is a front perspective view of an exterior surface of a cyclone receptacle showing our new design; FIG. 2 is a front elevation view thereof; FIG. 3 is a left side elevation view thereof; FIG. 4 is a rear elevation view thereof; FIG. 5 is a right side elevation view thereof; FIG. 6 is a top plan view thereof; FIG. 7 is a bottom plan view thereof; FIG. 8 is a front perspective view of a second embodiment thereof; FIG. 9 is a front elevation view of FIG. 8; FIG. 10 is a left side elevation view of FIG. 8; FIG. 11 is a rear elevation view of FIG. 8; FIG. 12 is a right side elevation view of FIG. 8; FIG. 13 is a top plan view of FIG. 8; and, FIG. 14 is a bottom plan view of FIG. 8.

In the drawings, broken lines indicate environmental structure or boundaries that form no part of the claimed design.

**1 Claim, 14 Drawing Sheets**



(56)

References Cited

U.S. PATENT DOCUMENTS

5,078,761 A 1/1992 Dyson  
 5,137,554 A 8/1992 Carter, Jr.  
 5,145,499 A 9/1992 Dyson  
 5,224,976 A \* 7/1993 Oranje ..... 55/399  
 5,281,591 A 1/1994 Burke  
 5,653,347 A 8/1997 Larsson  
 5,846,273 A 12/1998 Dyson  
 D407,875 S \* 4/1999 Burchard et al. .... D32/31  
 5,893,936 A 4/1999 Dyson  
 6,129,775 A 10/2000 Conrad et al.  
 6,146,434 A 11/2000 Scalfani et al.  
 6,168,641 B1 1/2001 Tuvin et al.  
 6,168,716 B1 1/2001 Conrad et al.  
 6,312,594 B1 11/2001 Conrad et al.  
 6,363,574 B2 4/2002 Worden et al.  
 6,502,277 B1 1/2003 Petersson et al.  
 6,558,453 B2 5/2003 Sepke et al.  
 D494,718 S \* 8/2004 Rosenzweig et al. .... D32/31  
 D494,719 S \* 8/2004 Rosenzweig et al. .... D32/31  
 6,829,804 B2 12/2004 Sepke  
 6,910,245 B2 6/2005 Hawkins et al.  
 D518,612 S \* 4/2006 Parr et al. .... D32/31  
 D520,692 S \* 5/2006 Leyden ..... D32/31  
 7,163,568 B2 1/2007 Sepke et al.  
 7,222,392 B2 5/2007 McCormic et al.

7,228,592 B2 6/2007 Hawkins et al.  
 D547,507 S \* 7/2007 Medema et al. .... D32/31  
 7,247,181 B2 7/2007 Hansen et al.  
 7,293,326 B2 11/2007 Hawkins et al.  
 7,305,735 B2 \* 12/2007 Overvaag ..... 15/352  
 D581,612 S \* 11/2008 Yoo et al. .... D32/31  
 D583,117 S \* 12/2008 Peace et al. .... D32/31  
 D587,415 S \* 2/2009 Dyson et al. .... D32/31  
 D589,219 S \* 3/2009 Knox et al. .... D32/31  
 7,594,945 B2 \* 9/2009 Kim et al. .... 55/429  
 D609,416 S \* 2/2010 Hill et al. .... D32/31  
 D609,418 S \* 2/2010 Santiago et al. .... D32/31  
 7,662,200 B2 2/2010 Knuth et al.  
 7,682,414 B2 \* 3/2010 Yoshida et al. .... 55/429  
 7,722,709 B2 5/2010 Conrad  
 7,771,499 B2 \* 8/2010 Oh et al. .... 55/343  
 7,814,612 B2 10/2010 Sepke et al.  
 D632,037 S \* 2/2011 Carr et al. .... D32/31  
 7,879,142 B2 \* 2/2011 Han et al. .... 96/381  
 7,922,794 B2 4/2011 Morphey  
 7,931,740 B2 4/2011 Al-Alusi et al.  
 7,951,214 B2 5/2011 Menrik et al.  
 8,225,456 B2 7/2012 Håkan et al.  
 D670,052 S \* 10/2012 Dos Reis ..... D32/31  
 2002/0144637 A1 10/2002 Wendling et al.  
 2007/0012003 A1 \* 1/2007 Oh et al. .... 55/429  
 2008/0184681 A1 \* 8/2008 Oh et al. .... 55/345

\* cited by examiner

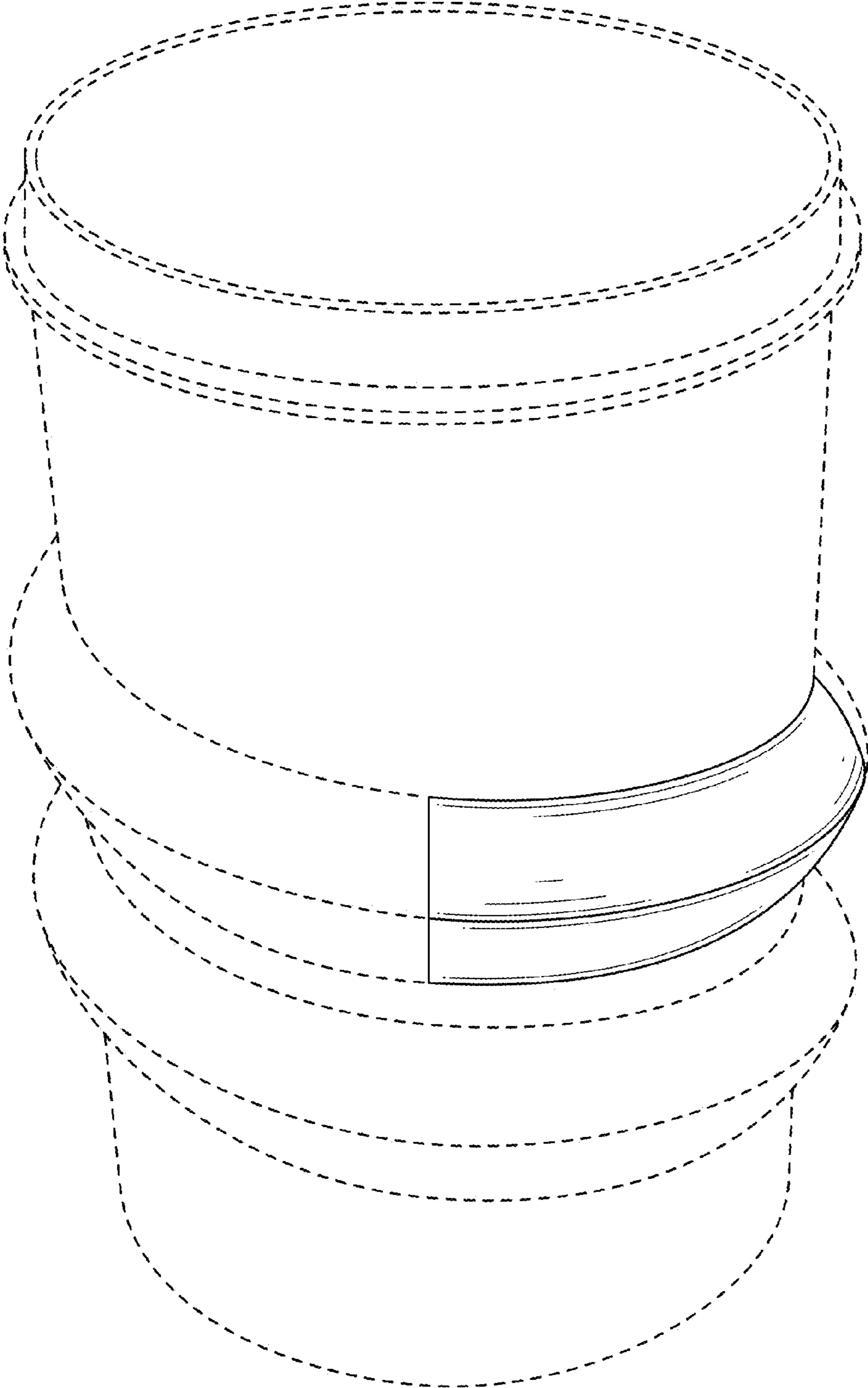


FIG. 1

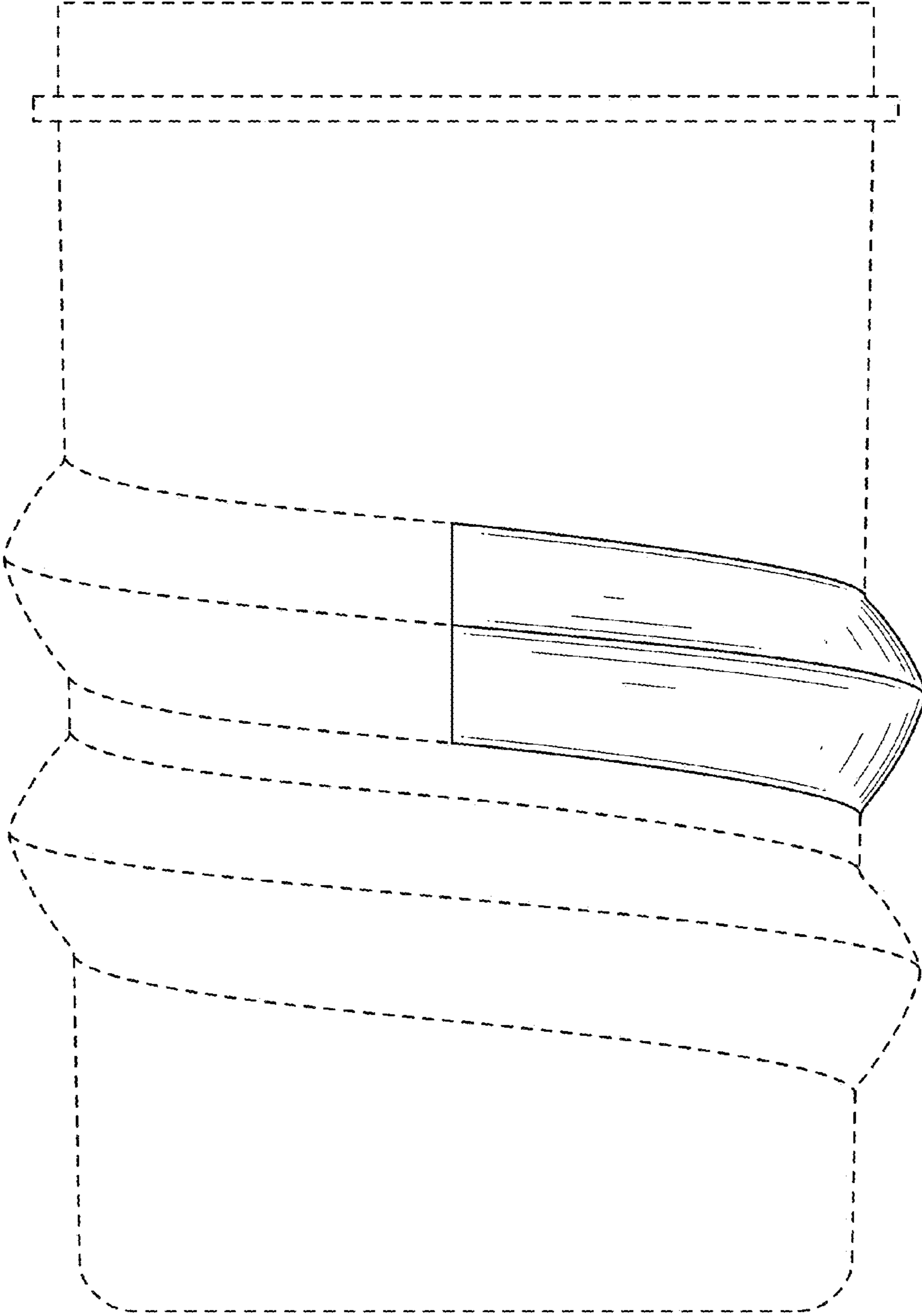


FIG. 2

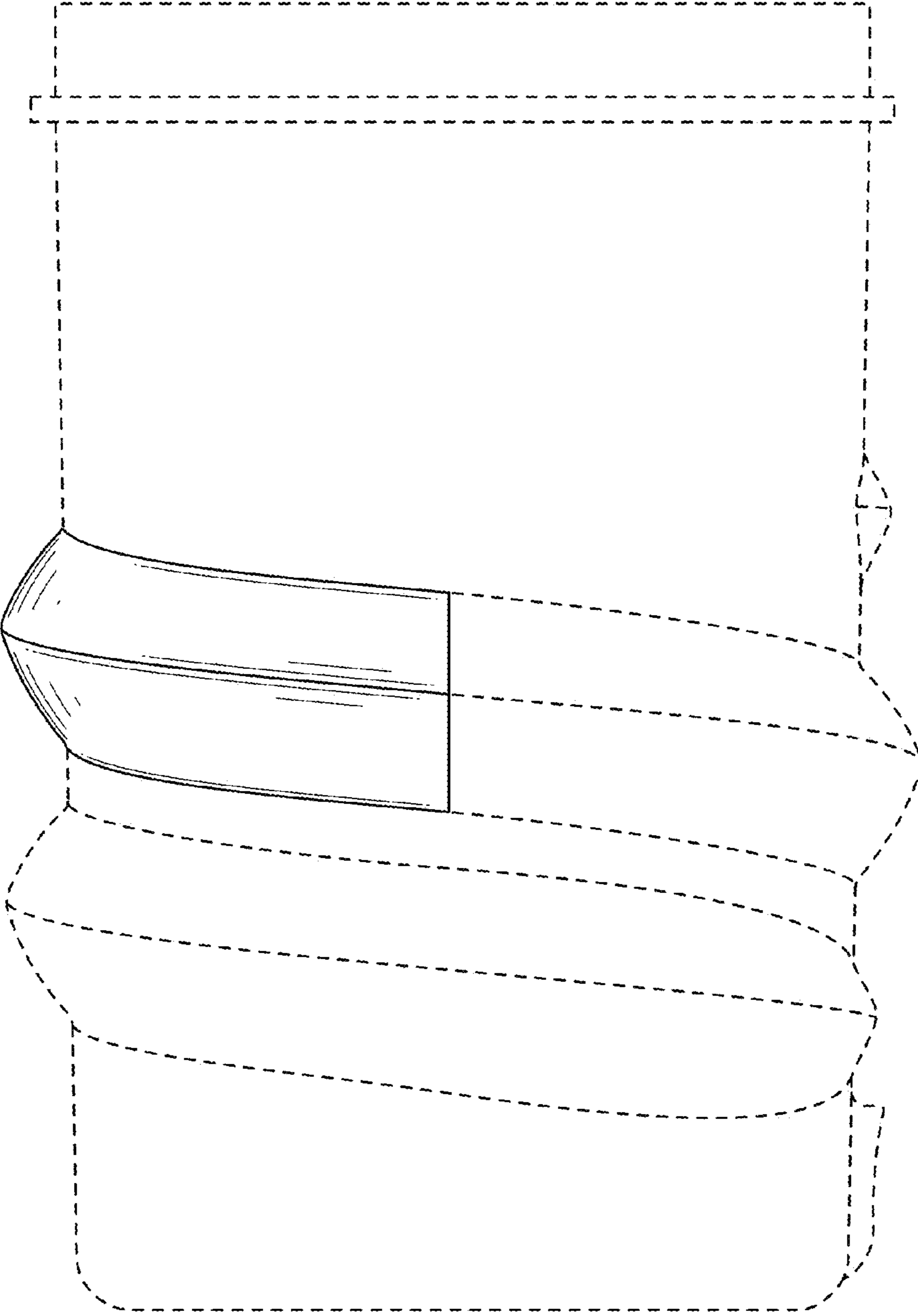


FIG. 3

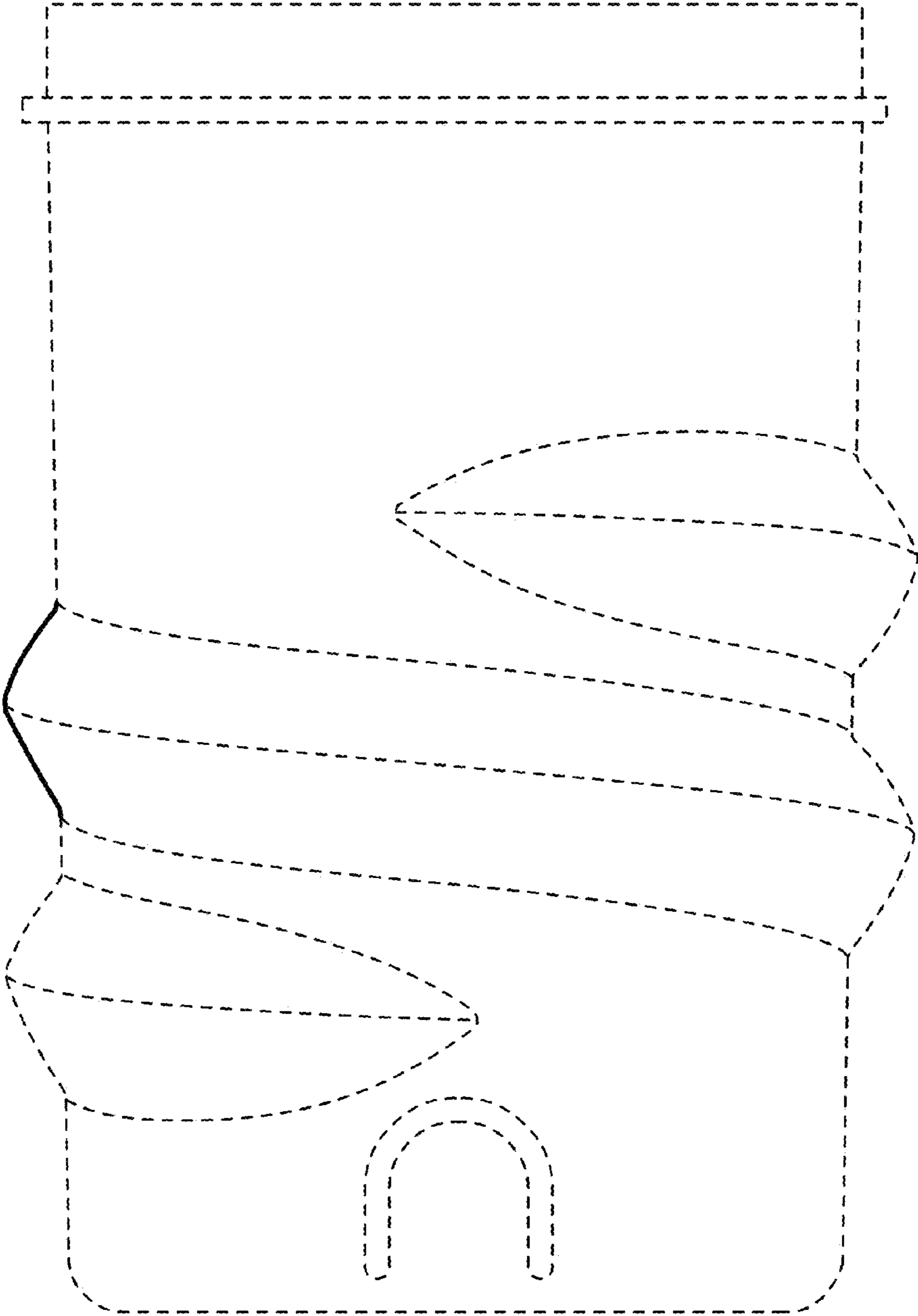


FIG. 4

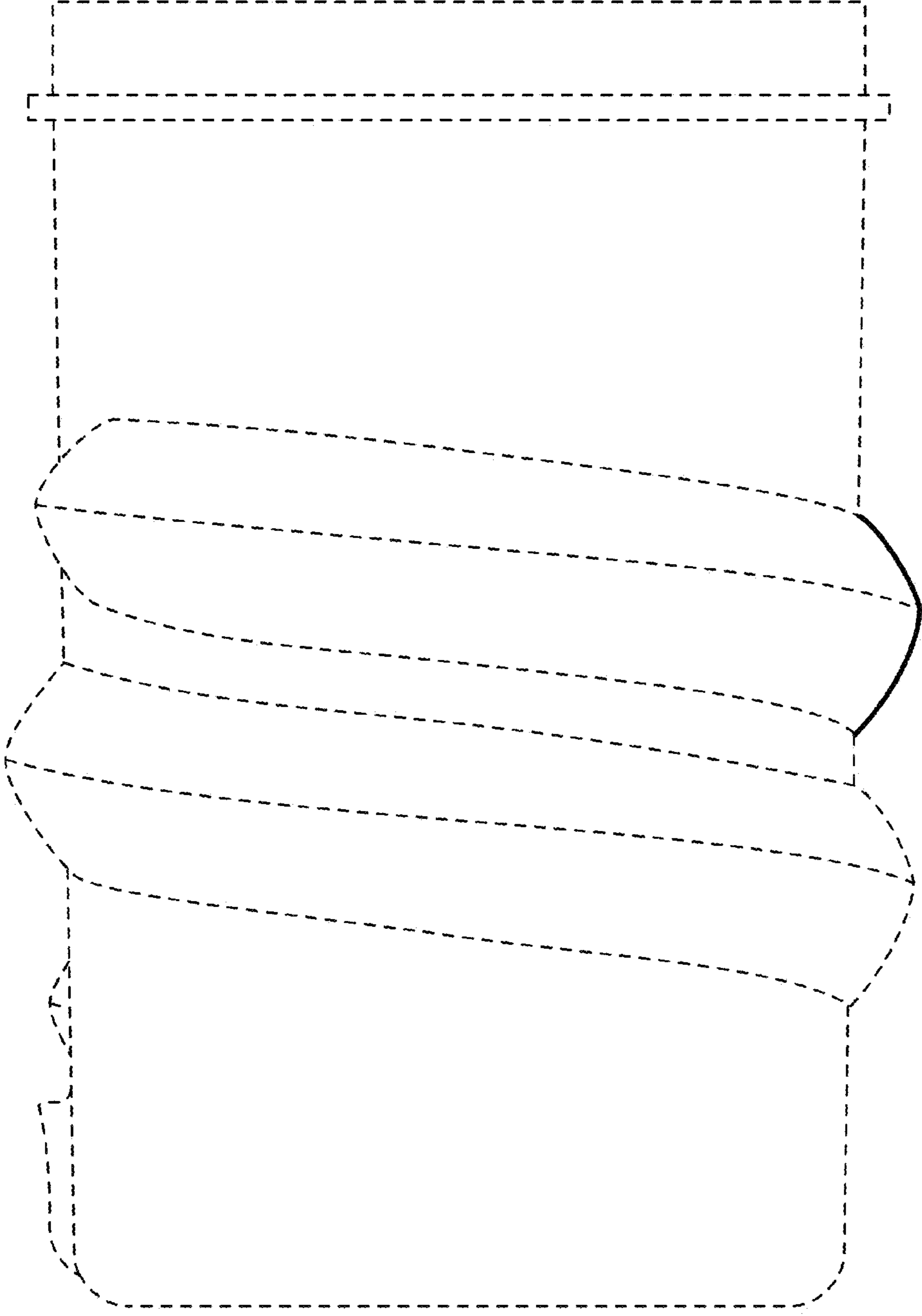


FIG. 5

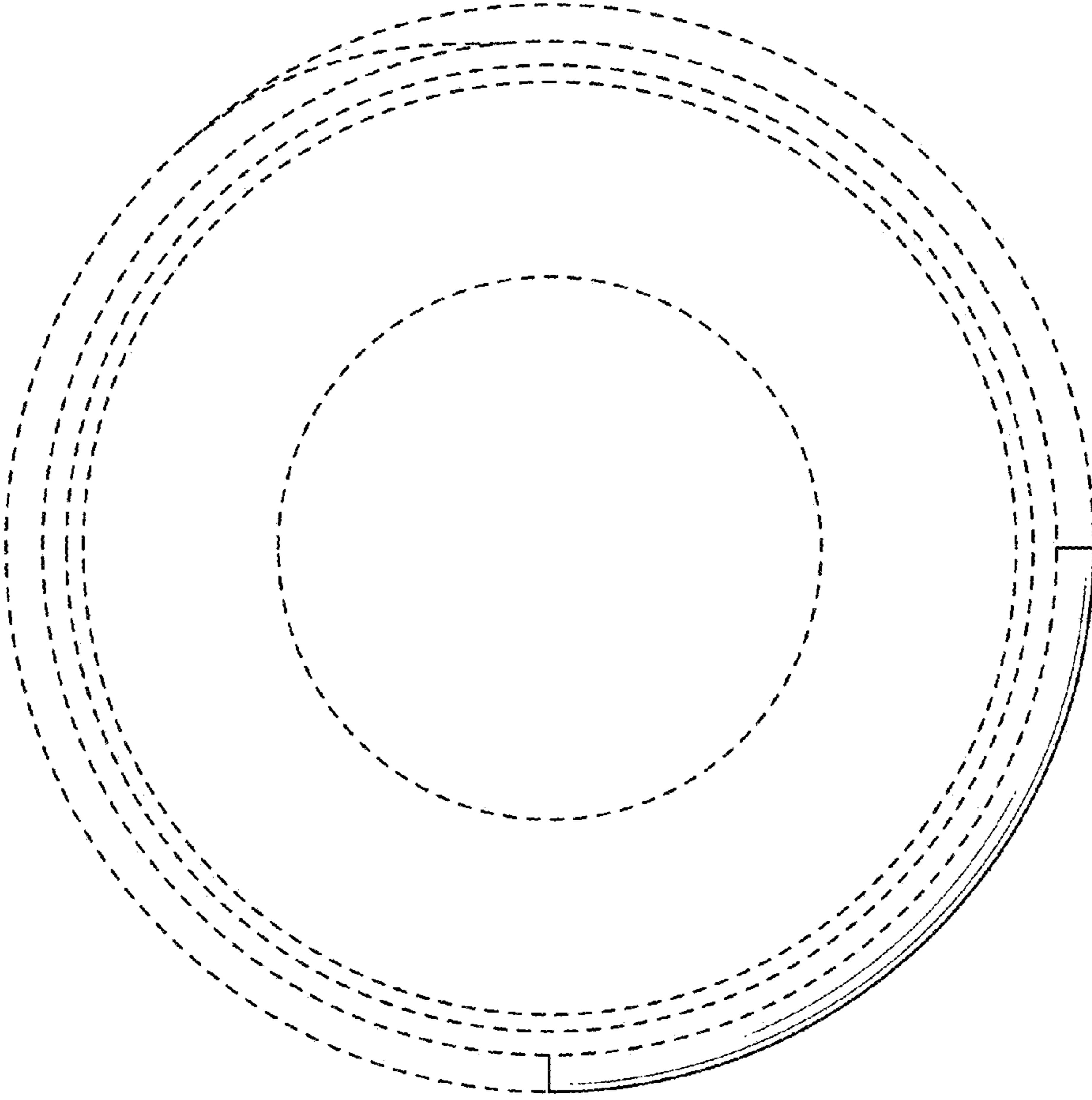


FIG. 6



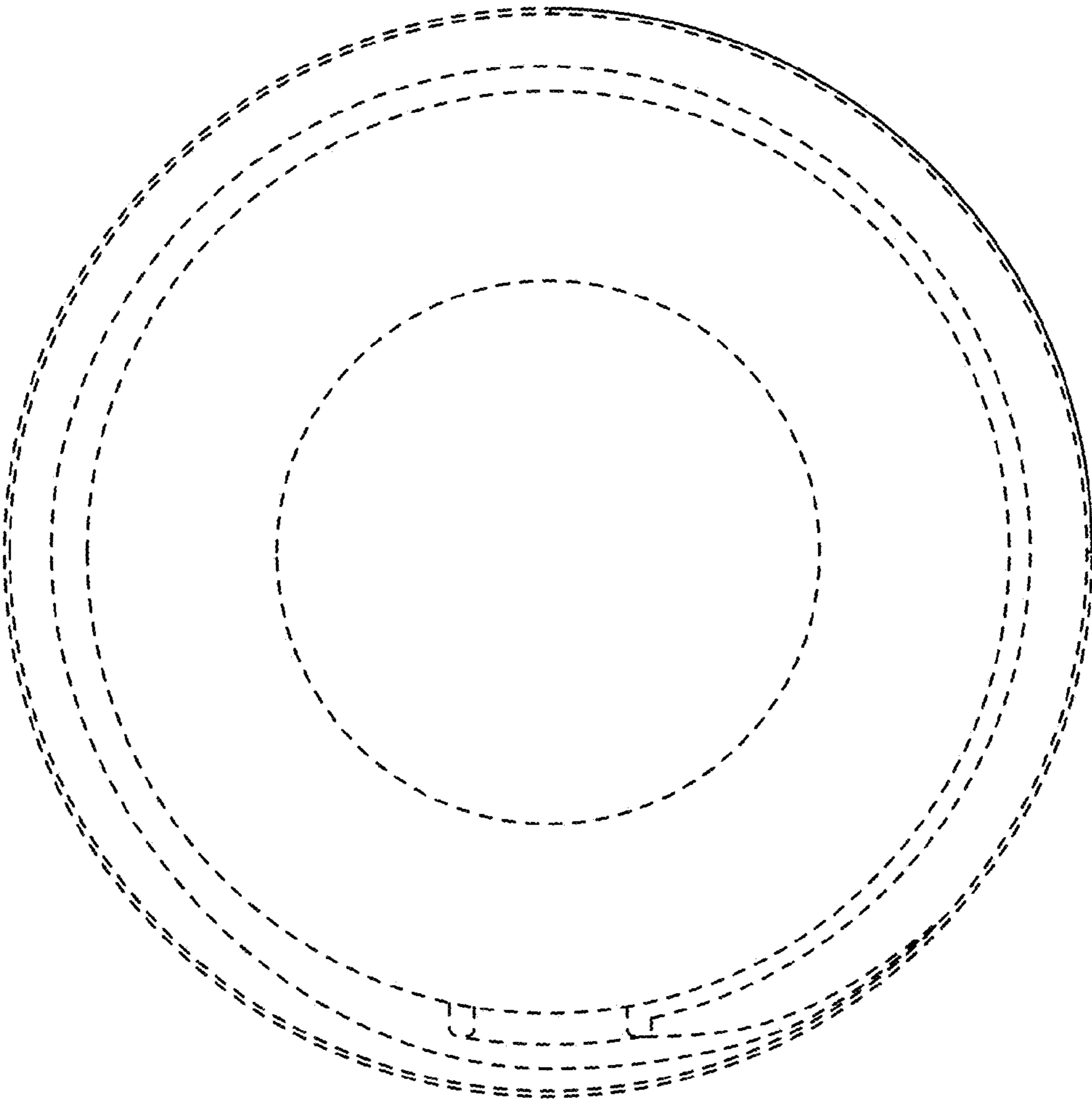


FIG. 7

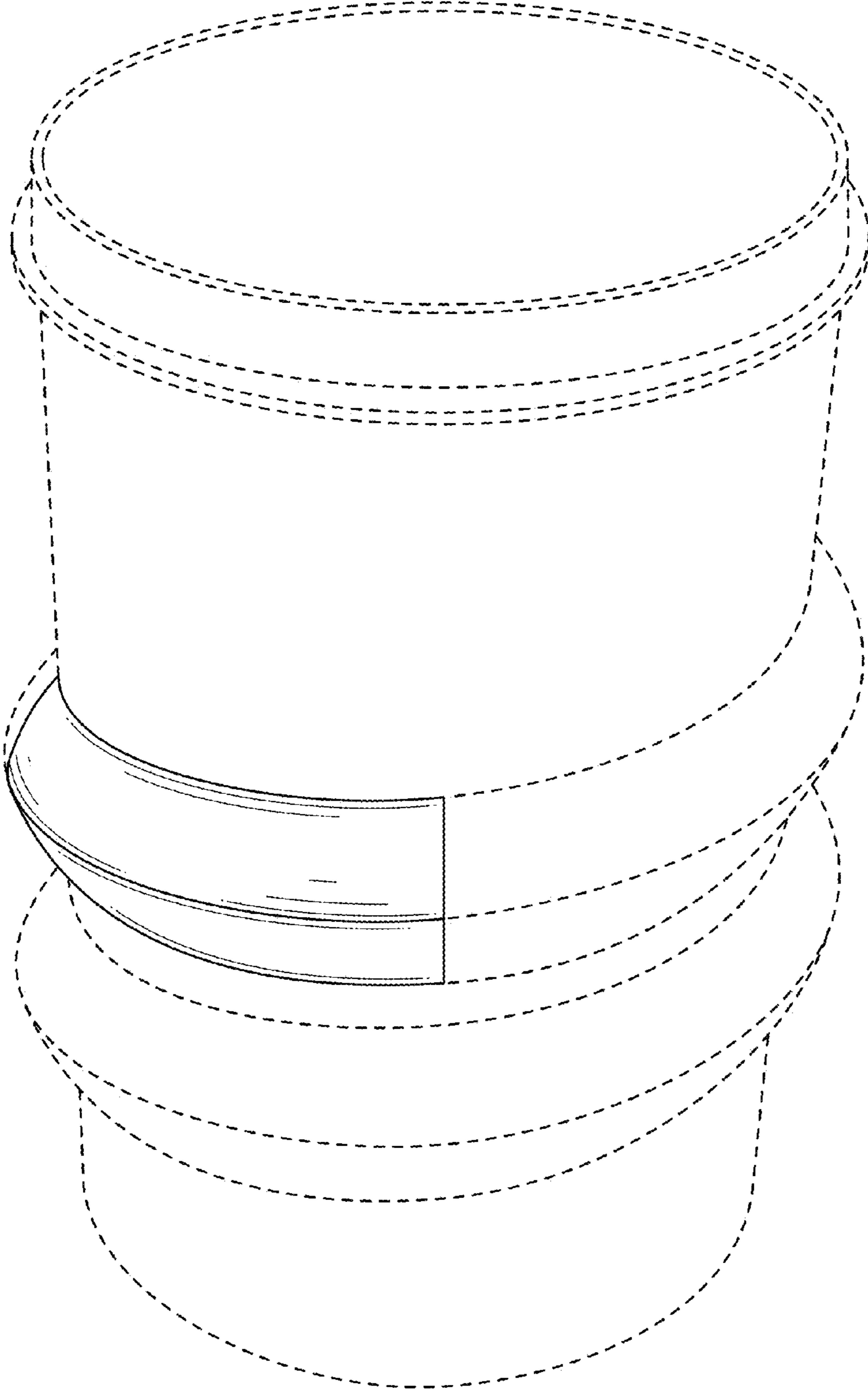


FIG. 8

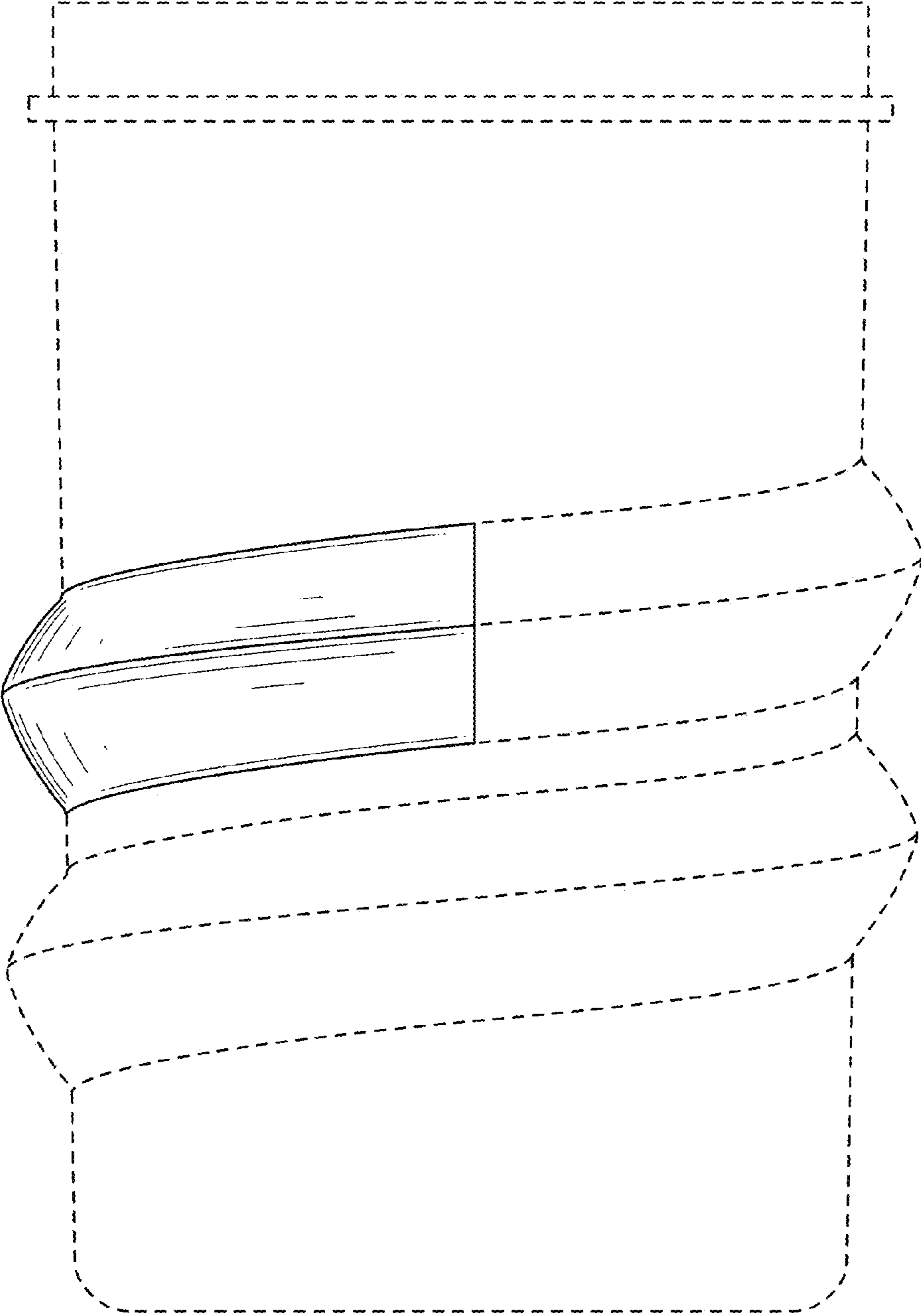


FIG. 9

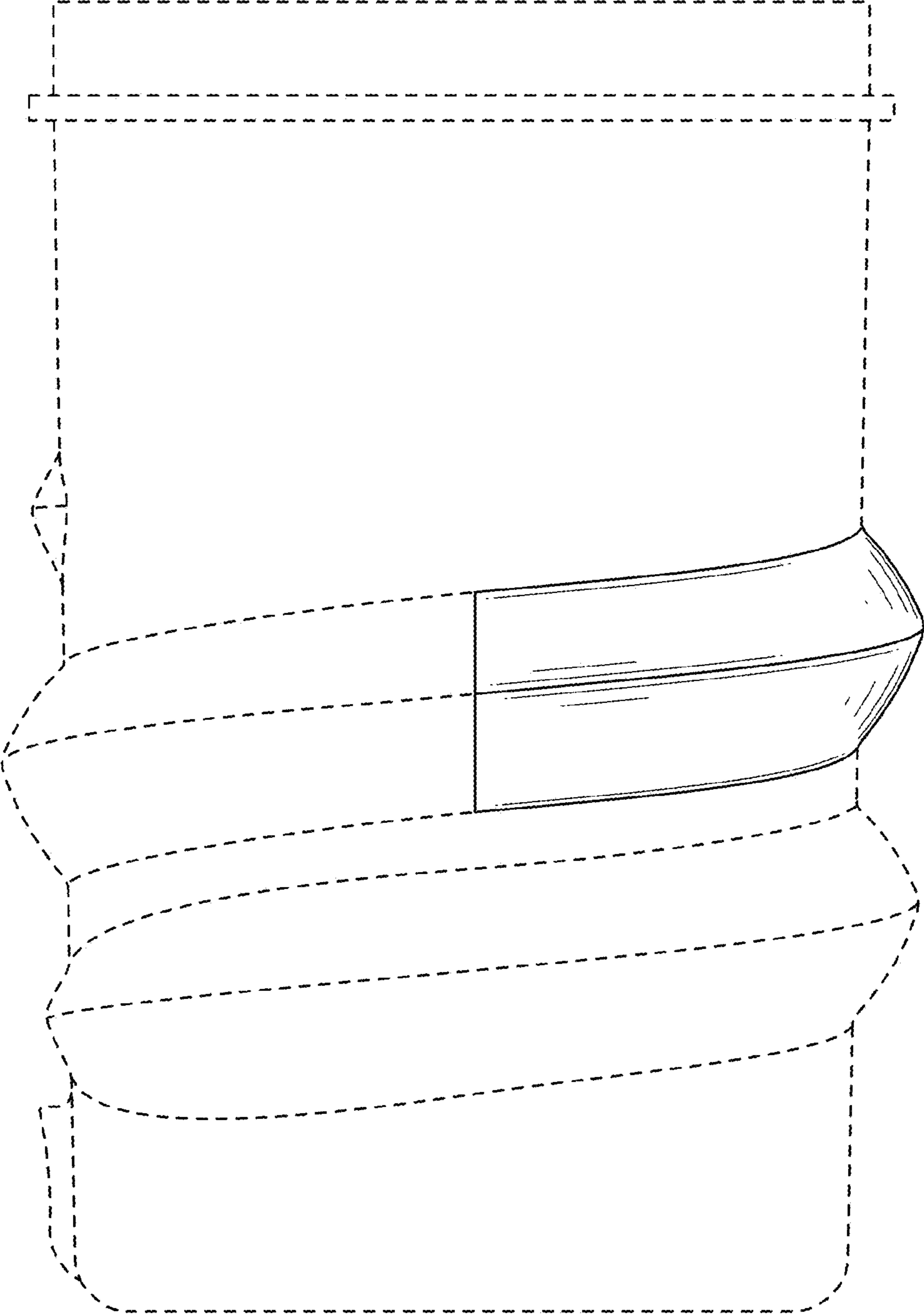


FIG. 10

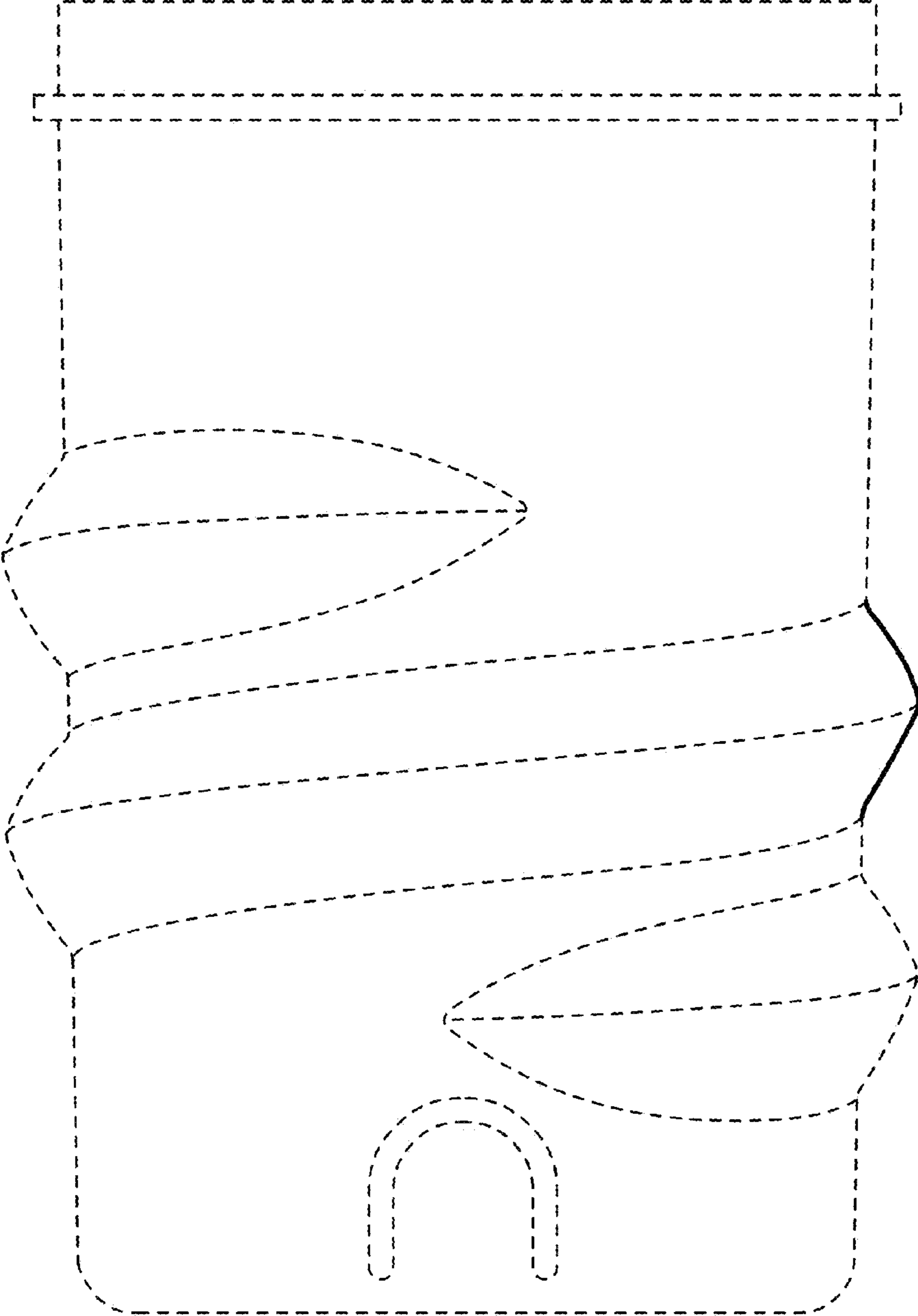


FIG. 11

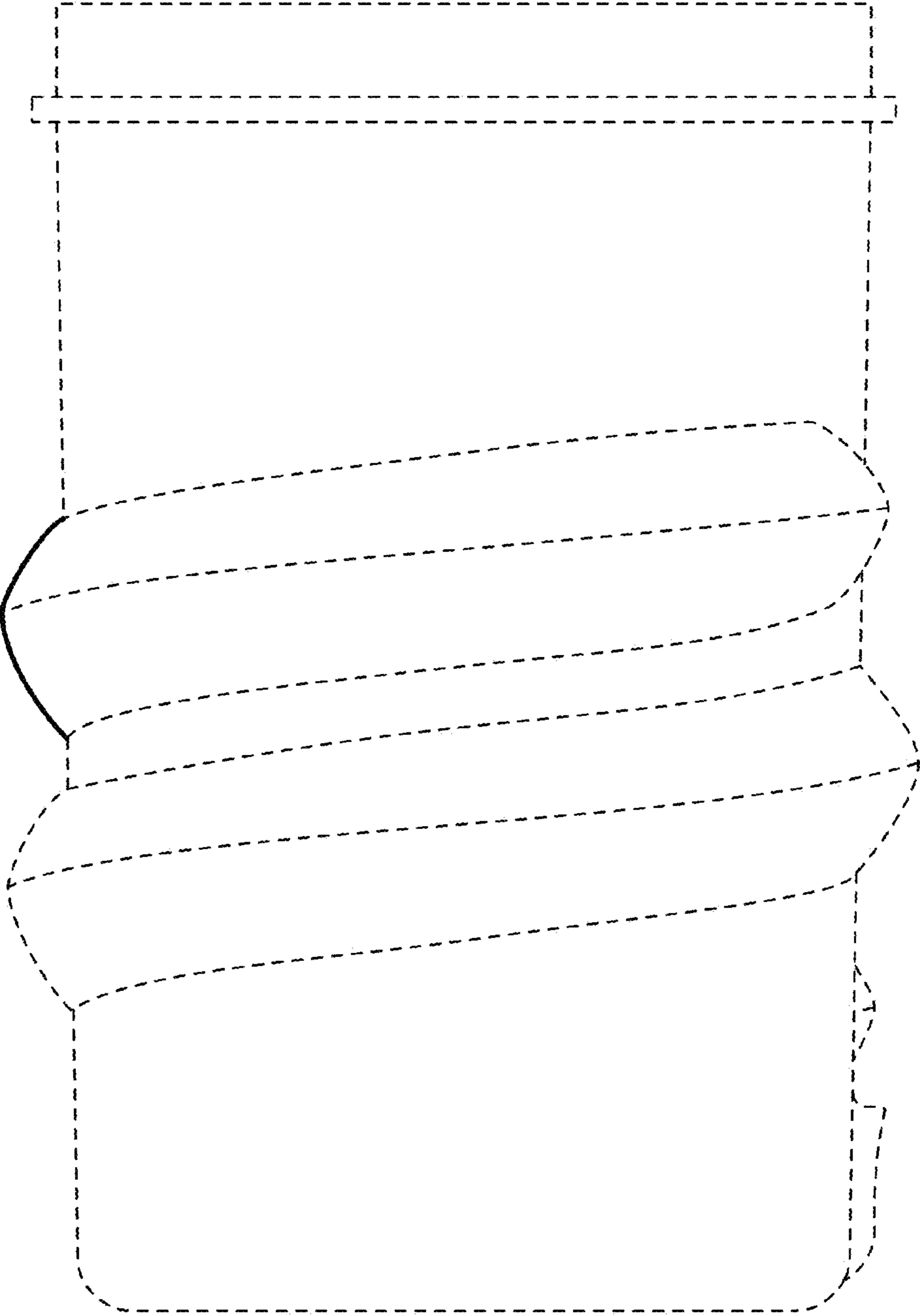


FIG. 12

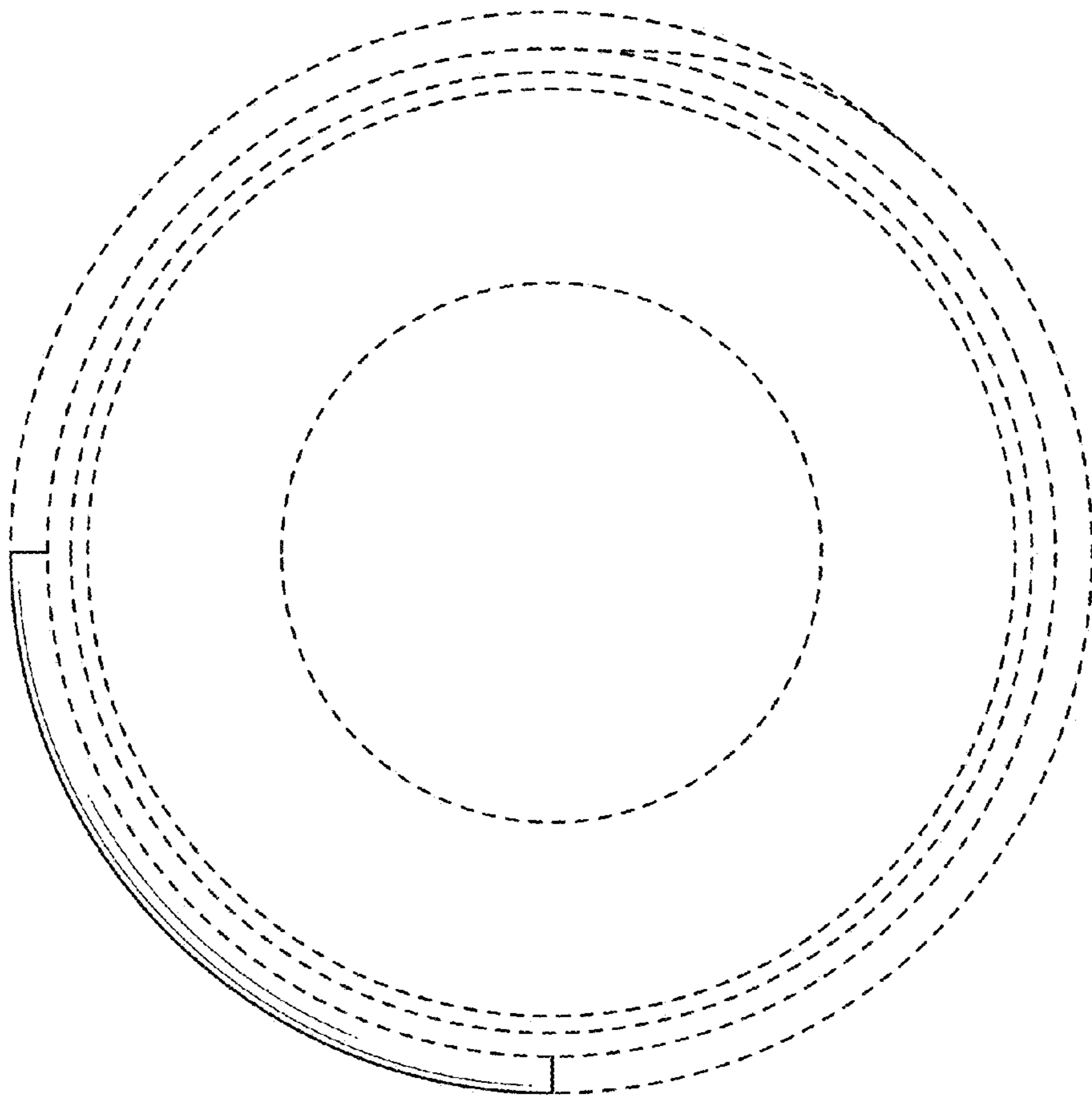


FIG. 13

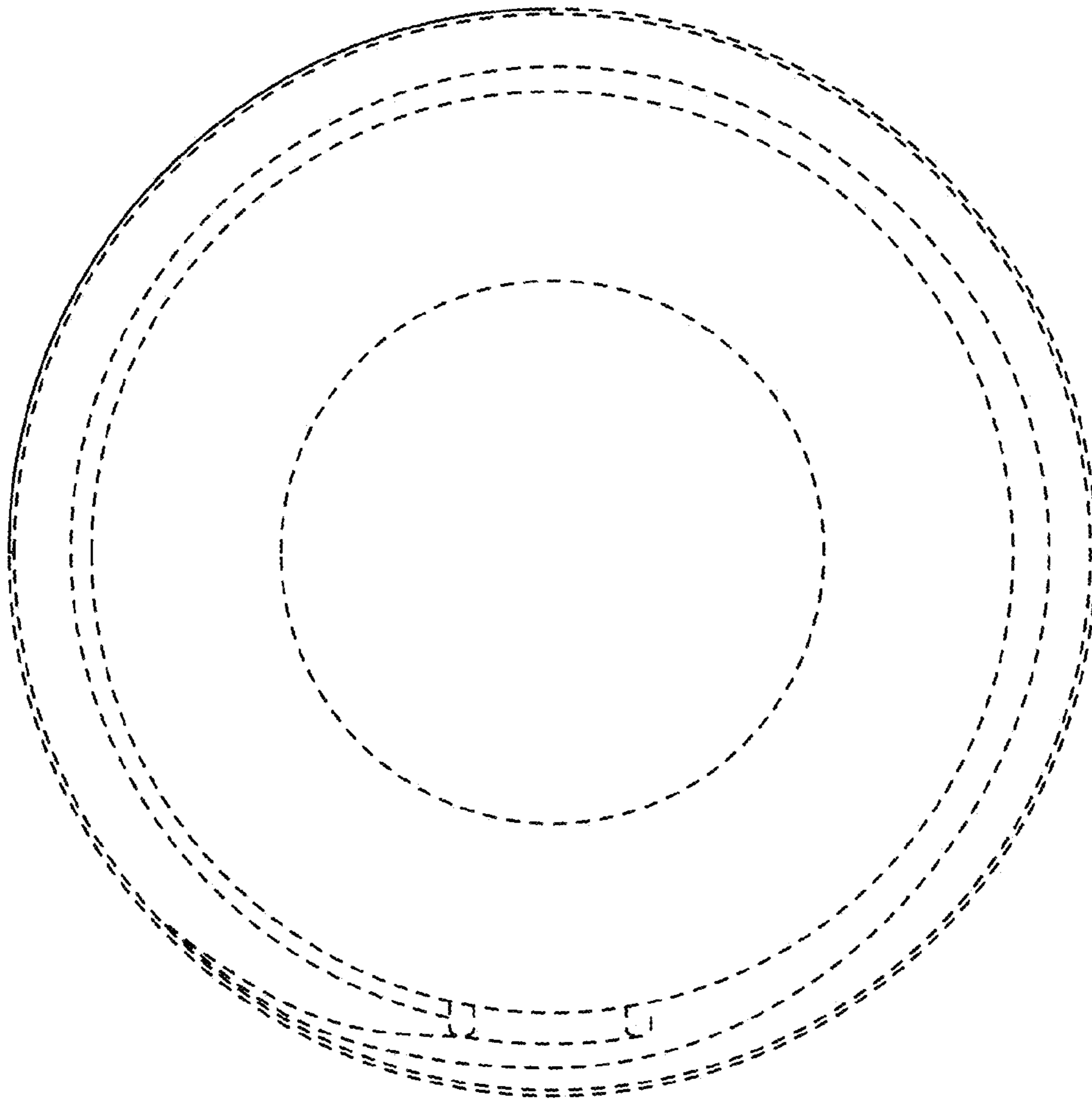


FIG. 14