

US00D689655S

(12) **United States Design Patent**
Chung et al.

(10) **Patent No.:** **US D689,655 S**
(45) **Date of Patent:** **** Sep. 10, 2013**

(54) **ELECTRIC WASHING MACHINE**
(71) Applicant: **LG Electronics Inc.**, Seoul (KR)
(72) Inventors: **Wookjun Chung**, Seoul (KR); **Kyungah Lee**, Yongin-si (KR); **Jeaseok Seong**, Yongin-si (KR); **Yoonsang Kim**, Seoul (KR); **Yeji Um**, Seoul (KR)
(73) Assignee: **LG Electronics Inc.**, Seoul (KR)

D465,307 S 11/2002 Du et al.
D479,373 S * 9/2003 Silva D32/25
D481,499 S * 10/2003 Moreira da Silva D32/25
D520,193 S 5/2006 Yokoyama
D536,143 S * 1/2007 Takase et al. D32/5
D582,107 S * 12/2008 Ha et al. D32/6
D584,865 S * 1/2009 Kim et al. D32/6
D606,267 S 12/2009 Shor
D614,366 S 4/2010 Shor
D618,865 S * 6/2010 Cline et al. D32/6

(Continued)

(**) Term: **14 Years**
(21) Appl. No.: **29/444,999**
(22) Filed: **Feb. 6, 2013**

FOREIGN PATENT DOCUMENTS

KR 30-0512800 S 11/2008
KR 30-0530282 S 6/2009

(Continued)

Related U.S. Application Data

(63) Continuation of application No. 29/430,241, filed on Aug. 23, 2012.

Primary Examiner — T. Chase Nelson
Assistant Examiner — Kathleen M Sims

(74) *Attorney, Agent, or Firm* — Birch, Stewart, Kolasch & Birch, LLP

(30) **Foreign Application Priority Data**

Feb. 24, 2012 (KR) 30-2012-0008871

(57) **CLAIM**

The ornamental design for an electric washing machine, as shown and described.

(51) **LOC (9) Cl.** **15-05**

(52) **U.S. Cl.**
USPC **D32/25**

DESCRIPTION

(58) **Field of Classification Search**
USPC D32/1, 5, 6, 8, 10, 25, 28; 68/3 R,
68/4, 5 R, 12.01, 12.08, 212; 34/87-88,
34/523-524
See application file for complete search history.

FIG. 1 is a perspective view of an electric washing machine showing our new design;
FIG. 2 is a front view thereof;
FIG. 3 is a rear view thereof;
FIG. 4 is a left side view thereof where the right side view is a mirror image;
FIG. 5 is a top plan view thereof; and,
FIG. 6 is a bottom plan view thereof.

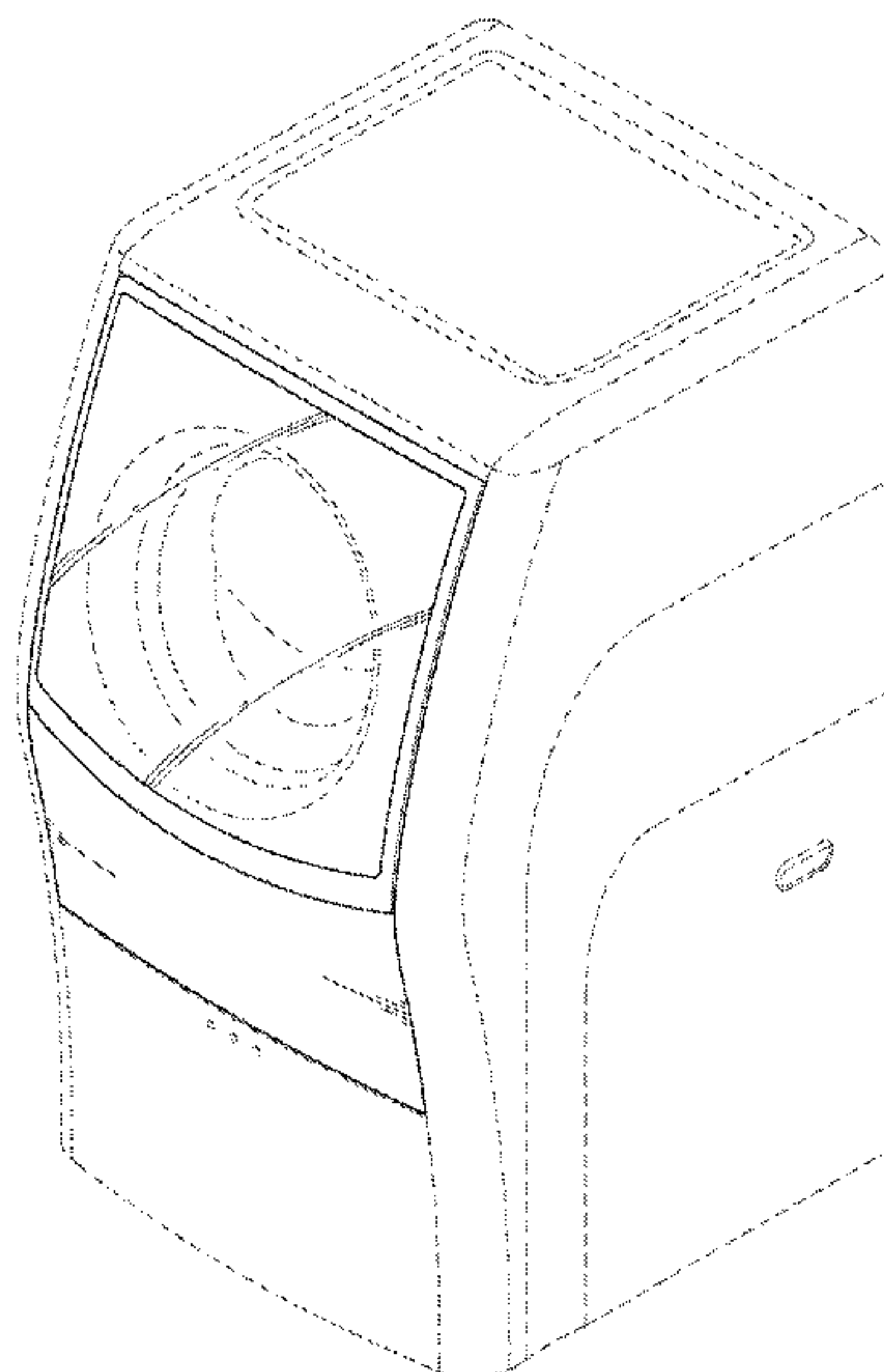
(56) **References Cited**

U.S. PATENT DOCUMENTS

2,296,265 A * 9/1942 Russell 68/3 R
D152,550 S 10/1947 Little
D173,655 S * 12/1954 Guild D32/6
D193,066 S 6/1962 Dreyfuss et al.
D297,059 S * 8/1988 Matsumoto et al. D32/8

The broken line showing of interior details in FIGS. 1, 2, and 5 is included for the purpose of showing environmental portions of the electric washing machine and forms no part of the claimed design.

1 Claim, 6 Drawing Sheets



(56)

References Cited

D664,313 S 7/2012 Chung et al.

U.S. PATENT DOCUMENTS

FOREIGN PATENT DOCUMENTS

D619,313 S * 7/2010 Cline et al. D32/25
D627,114 S * 11/2010 Jeon et al. D32/6
D627,529 S 11/2010 Jeon et al.
D630,807 S * 1/2011 Song et al. D32/6
D633,262 S 2/2011 Jeon et al.
D642,753 S 8/2011 Ha

KR 30-0547595 S 12/2009
KR 30-0570409 S 8/2010
KR 30-0570412 S 8/2010
KR 30-0577730 S 11/2010

* cited by examiner

FIG. 1

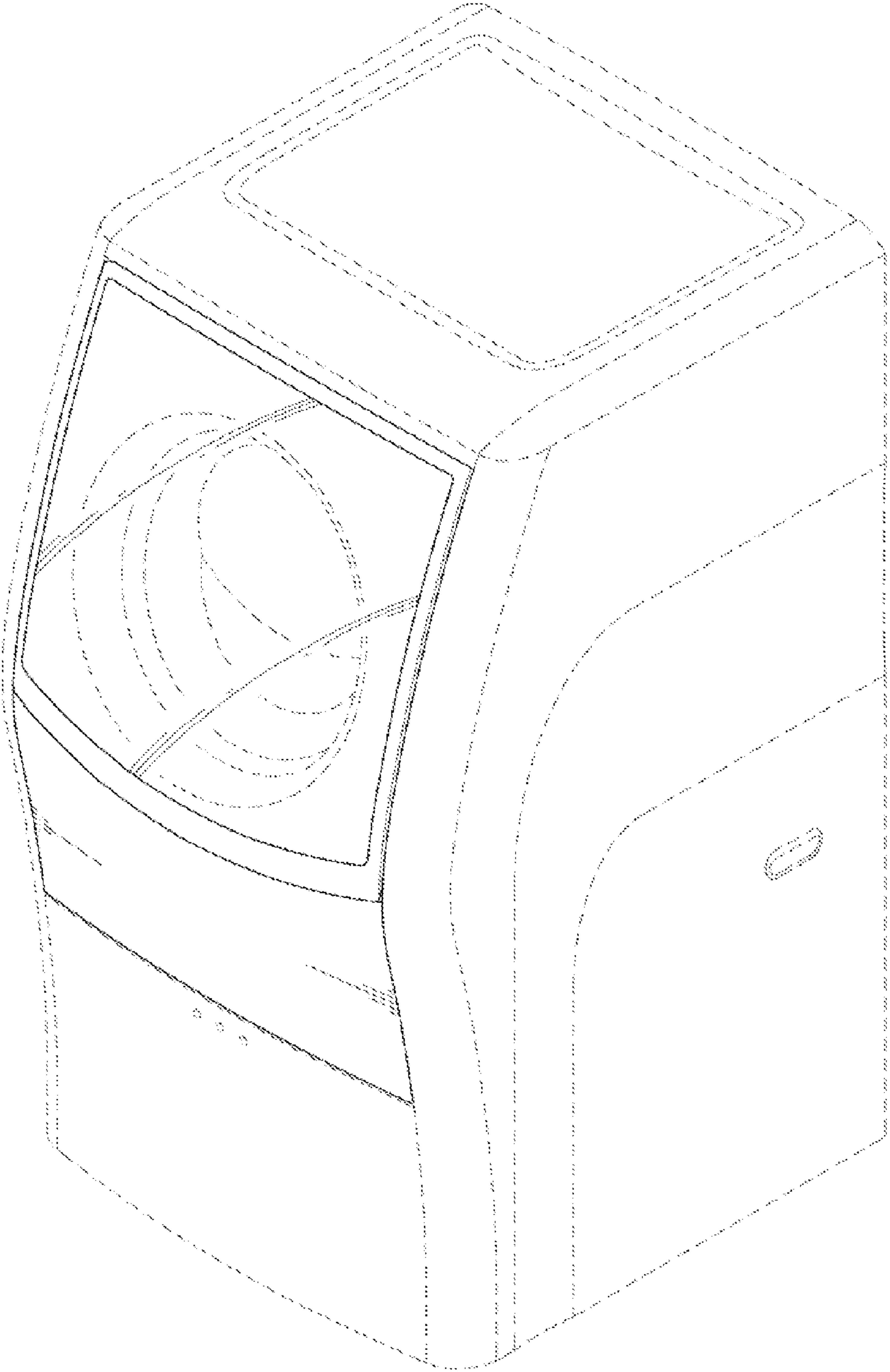


FIG. 2

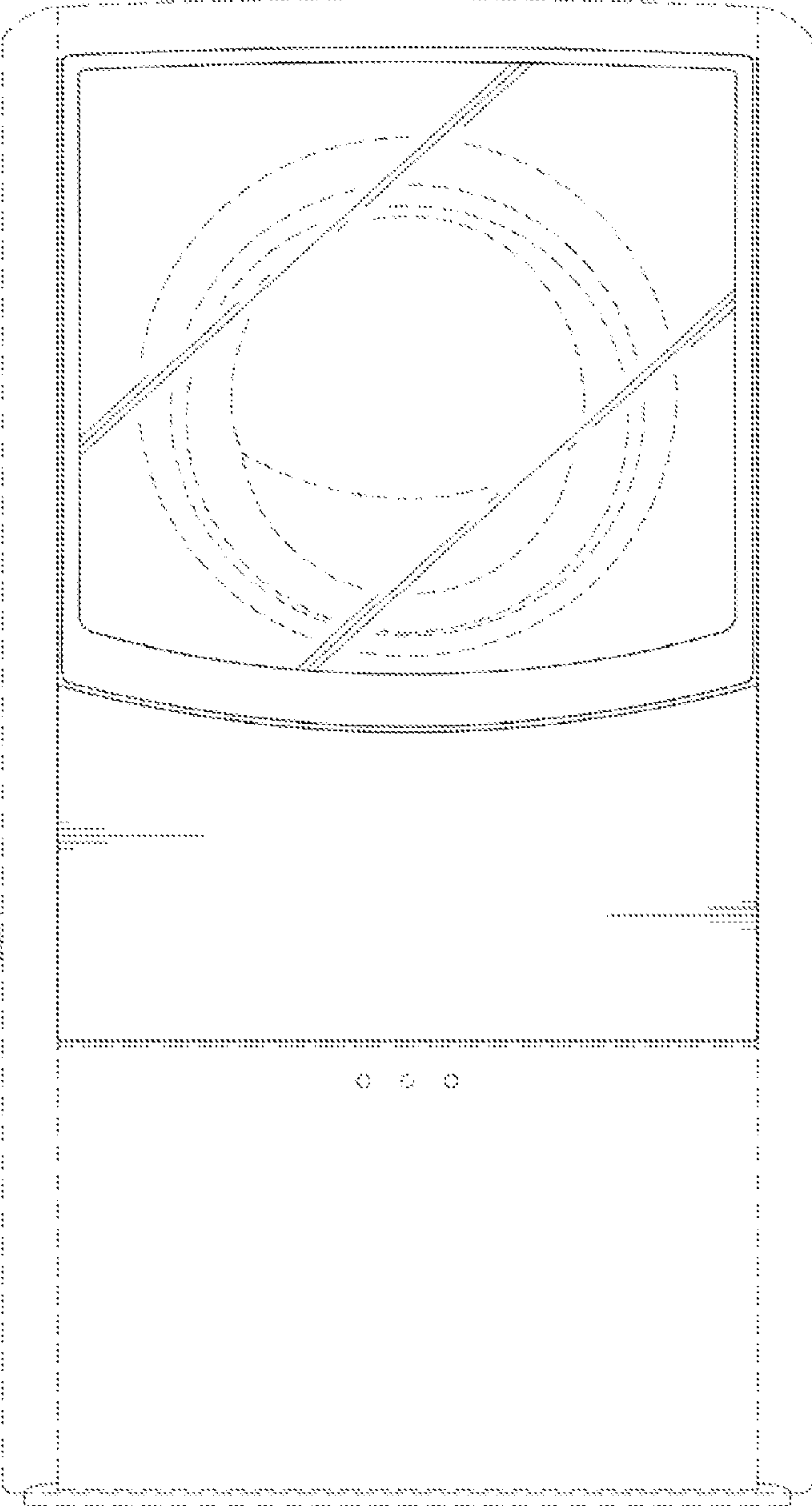


FIG. 3

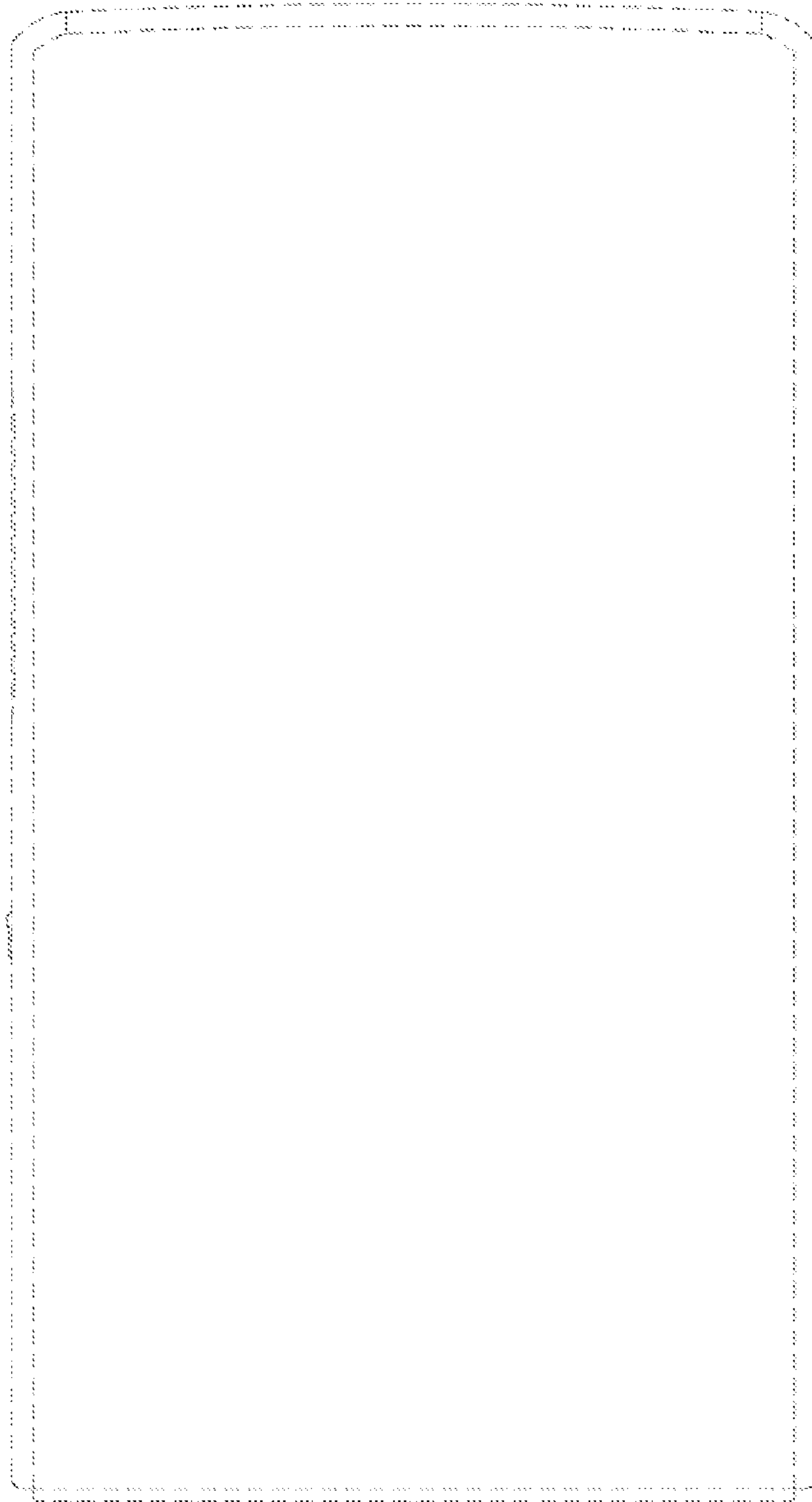


FIG. 4

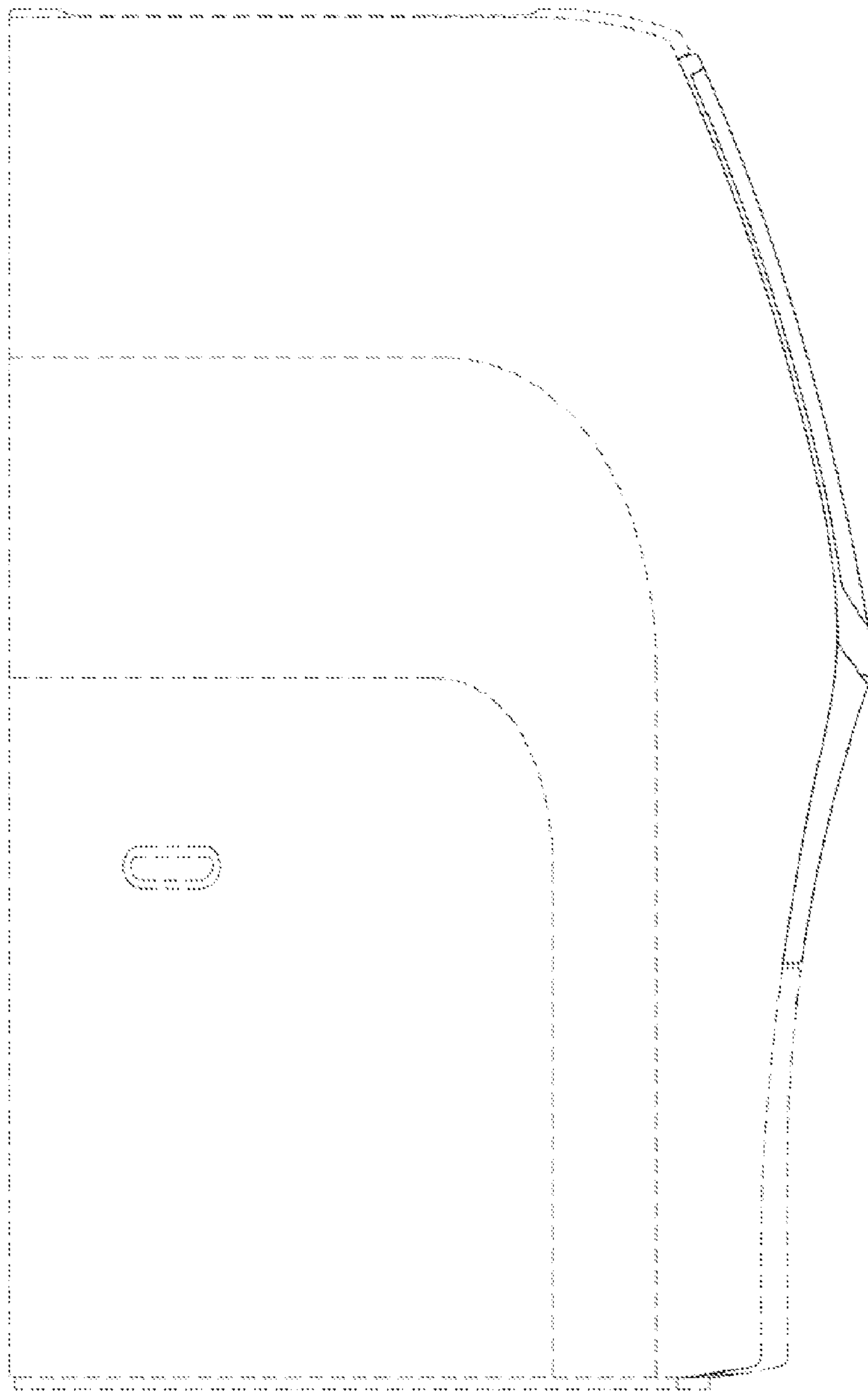


FIG. 5

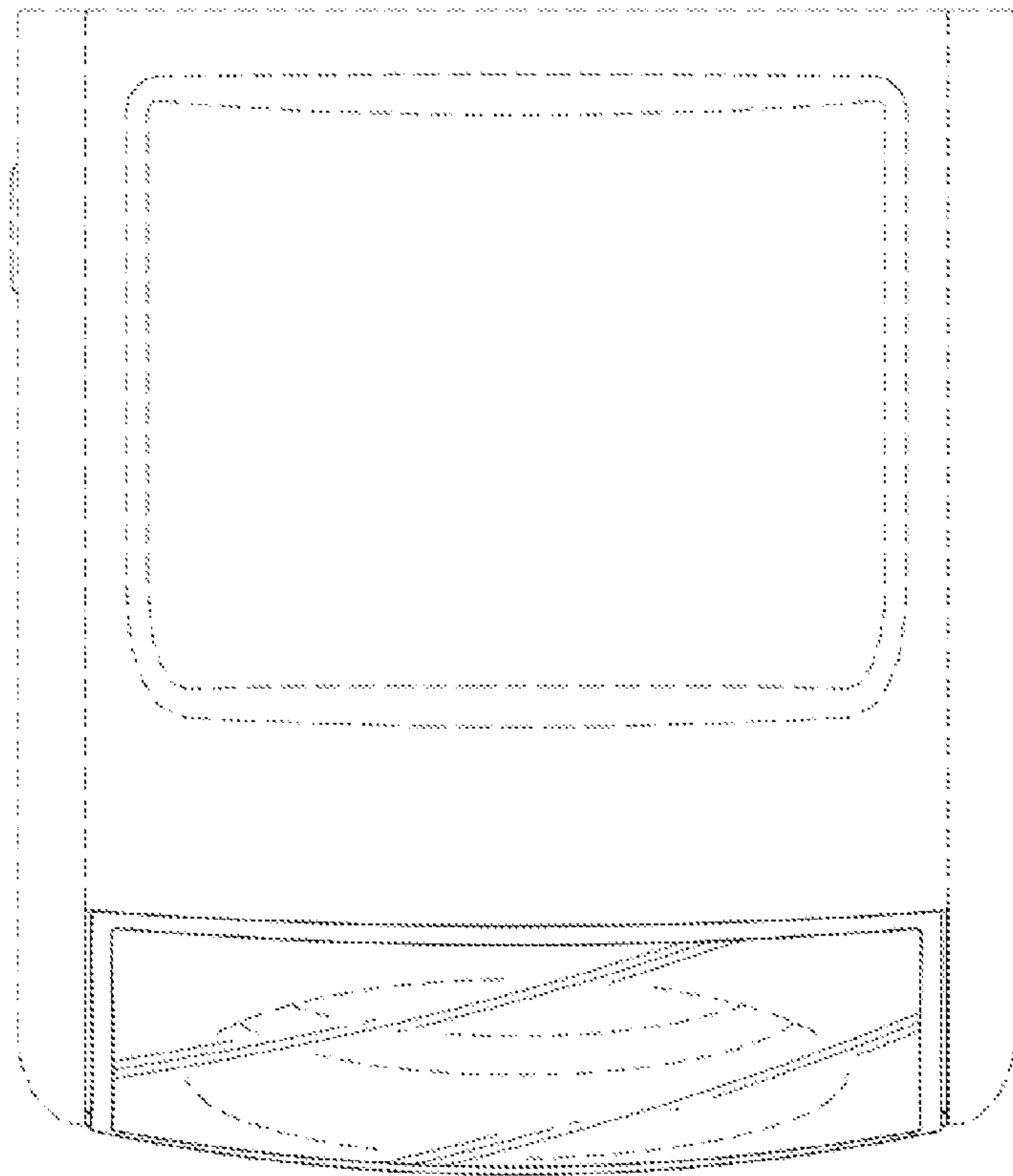


FIG. 6

