



US00D689648S

(12) **United States Design Patent**
Silver

(10) **Patent No.:** **US D689,648 S**

(45) **Date of Patent:** **** Sep. 10, 2013**

(54) **LUMINAIRE**

(71) Applicant: **Beta-Calco Inc.**, Toronto (CA)

(72) Inventor: **Remy Silver**, Toronto (CA)

(73) Assignee: **Beta-Calco Inc.**, Ontario (CA)

(**) Term: **14 Years**

(21) Appl. No.: **29/433,347**

(22) Filed: **Sep. 28, 2012**

(30) **Foreign Application Priority Data**

Apr. 20, 2012 (CA) 145405

(51) **LOC (9) Cl.** **26-03**

(52) **U.S. Cl.**
USPC **D26/88; D26/118**

(58) **Field of Classification Search**
USPC D26/63, 72, 80, 84-92, 118; 362/147,
362/373, 404-408, 431, 432
See application file for complete search history.

(56) **References Cited**

U.S. PATENT DOCUMENTS

D100,677 S *	8/1936	Sibbert	D26/88
D112,842 S *	1/1939	Manning	D26/86
D202,516 S *	10/1965	Crawford	D26/91
D340,514 S *	10/1993	Liao	D26/72
D479,894 S *	9/2003	Alduby	D26/118
D485,006 S *	1/2004	Huang	D26/118
D497,447 S *	10/2004	Yoneda	D26/72
D556,364 S *	11/2007	McDowell	D26/118
D566,320 S *	4/2008	Kim	D26/88
D571,947 S *	6/2008	Chen	D26/118

D593,704 S *	6/2009	Lovegrove	D26/90
D625,038 S *	10/2010	Yoo	D26/85
D629,555 S *	12/2010	Hiratsuka	D26/118
D651,735 S *	1/2012	Dai	D26/72
D655,856 S *	3/2012	Burks	D26/90
8,172,435 B2 *	5/2012	Spiro et al.	362/147
D662,645 S *	6/2012	Morgan	D26/84
8,262,255 B1 *	9/2012	Rashidi	362/373
8,292,482 B2 *	10/2012	Harbers et al.	362/373
D674,962 S *	1/2013	Drake et al.	D26/118
8,348,479 B2 *	1/2013	Tickner et al.	362/373
8,354,779 B2 *	1/2013	Falicoff et al.	362/373

* cited by examiner

Primary Examiner — Clare E Heflin

(74) *Attorney, Agent, or Firm* — Renner, Otto, Boisselle & Sklar, LLP

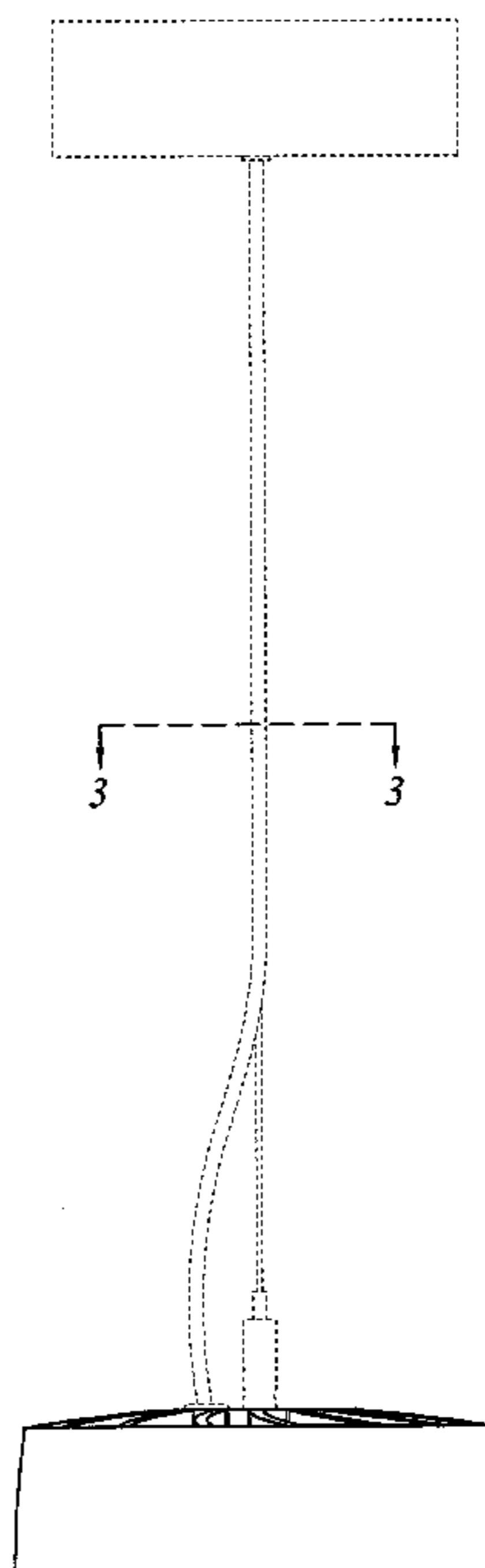
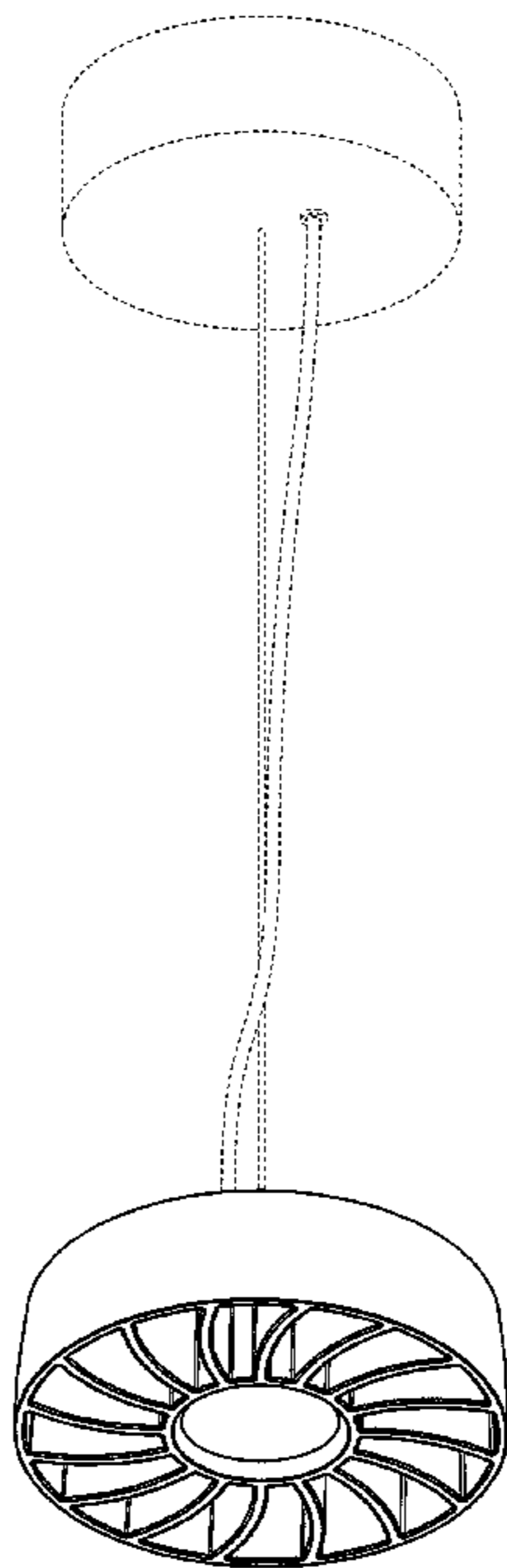
(57) **CLAIM**

The ornamental design for a luminaire, as shown and described.

DESCRIPTION

FIG. 1 is a perspective view of the luminaire according to my new design;
 FIG. 2 is a side view of the luminaire shown in FIG. 1;
 FIG. 3 is a top view of the luminaire shown in FIG. 1;
 FIG. 4 is a bottom view of the luminaire shown in FIG. 1;
 FIG. 5 is a perspective view the luminaire showing a variant of my new design;
 FIG. 6 is a side view of the luminaire shown in FIG. 5;
 FIG. 7 is a top view of the luminaire shown in FIG. 5; and,
 FIG. 8 is a bottom view of the luminaire shown in FIG. 5.
 The broken lines shown on the drawings depict portions of the luminaire that form no part of the claimed design.

1 Claim, 6 Drawing Sheets



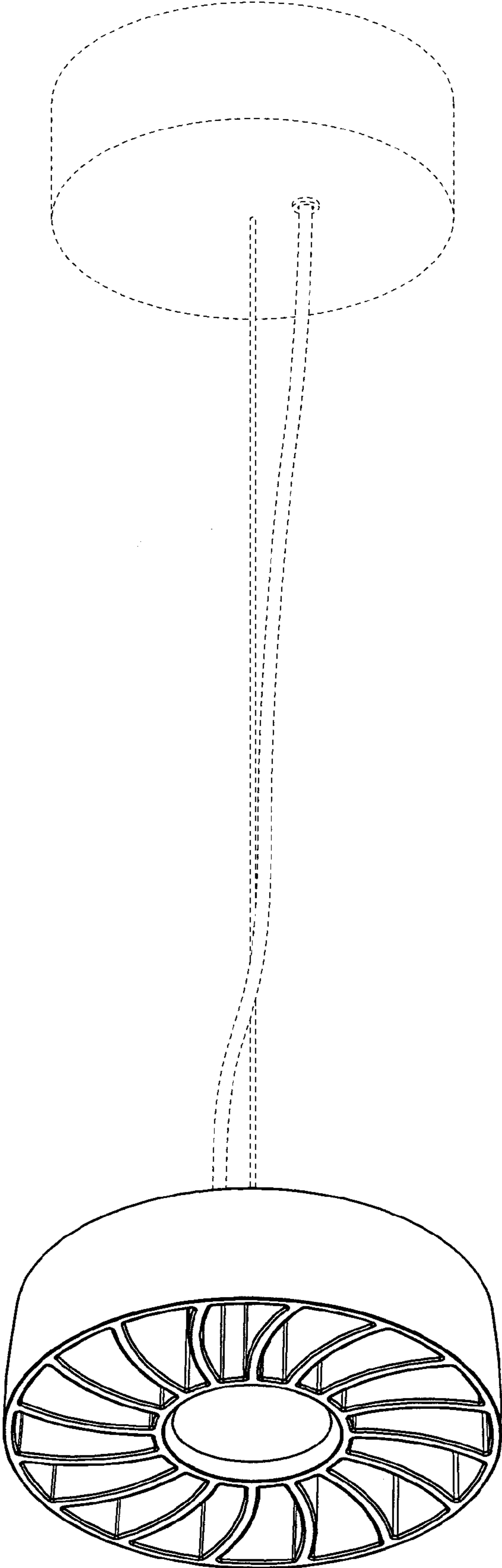


FIG. 1

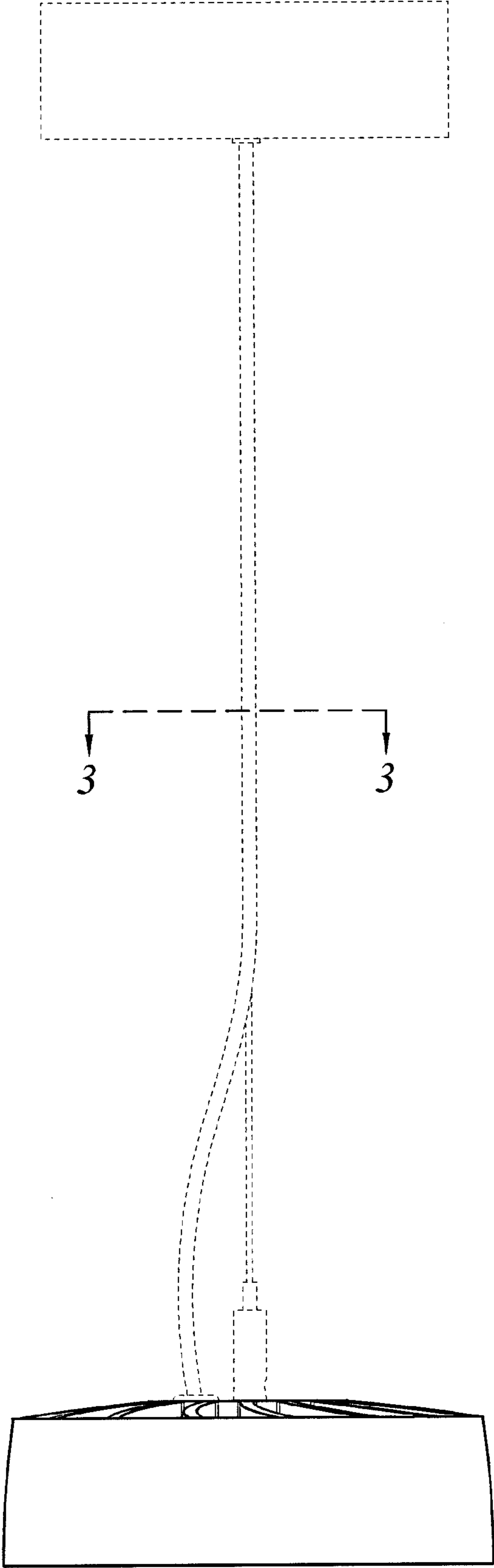


FIG. 2

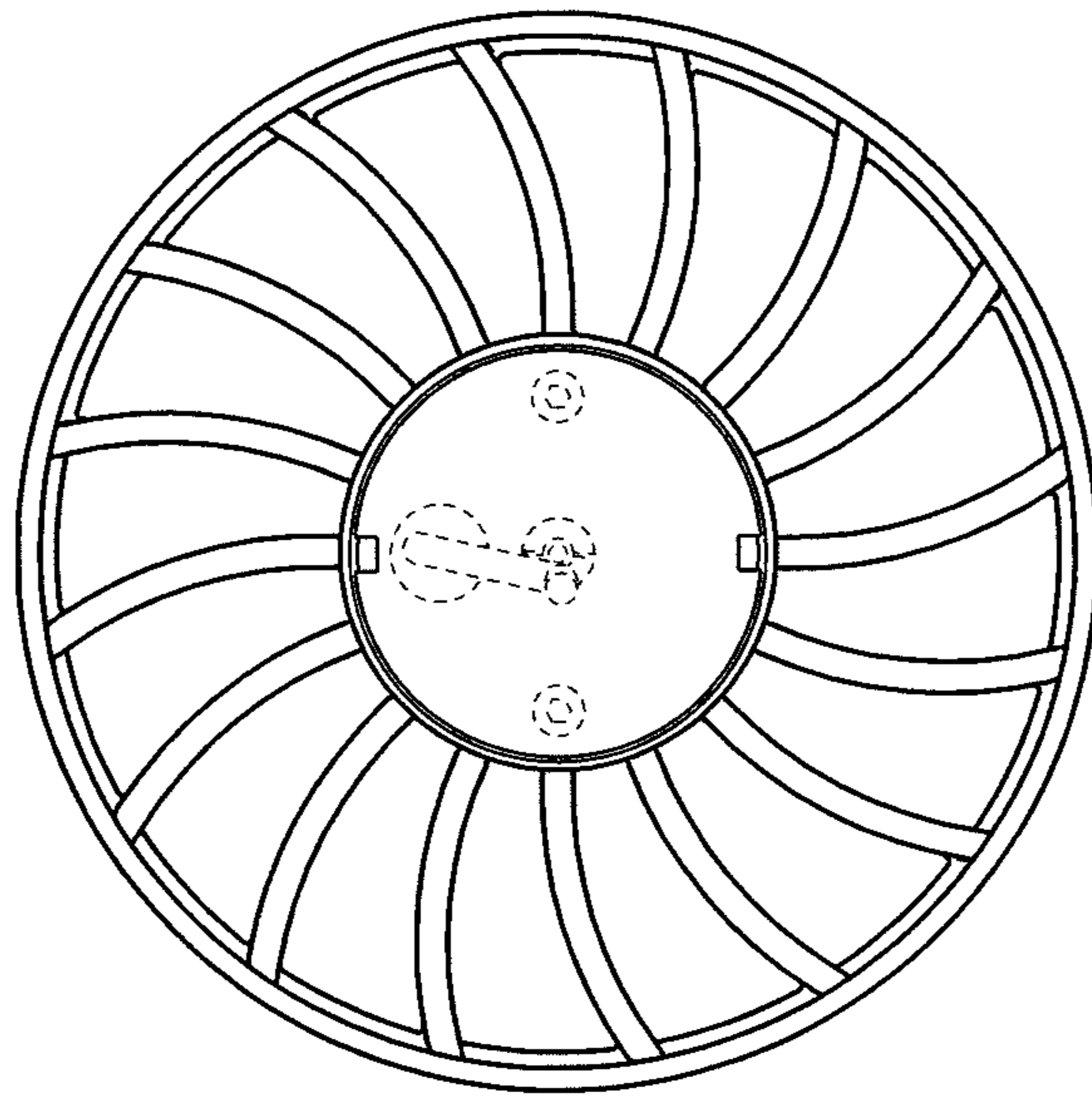


FIG. 3

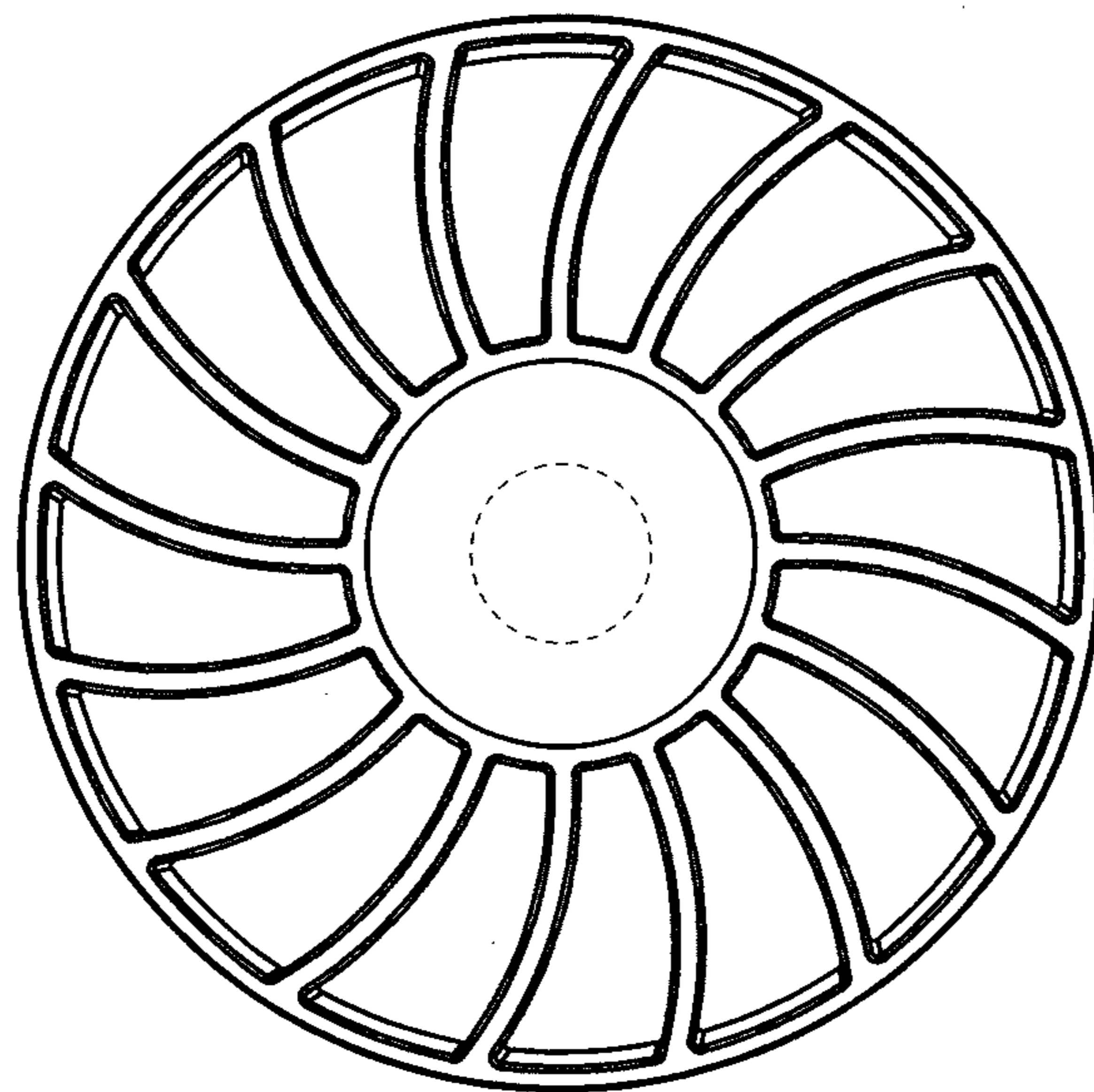


FIG. 4

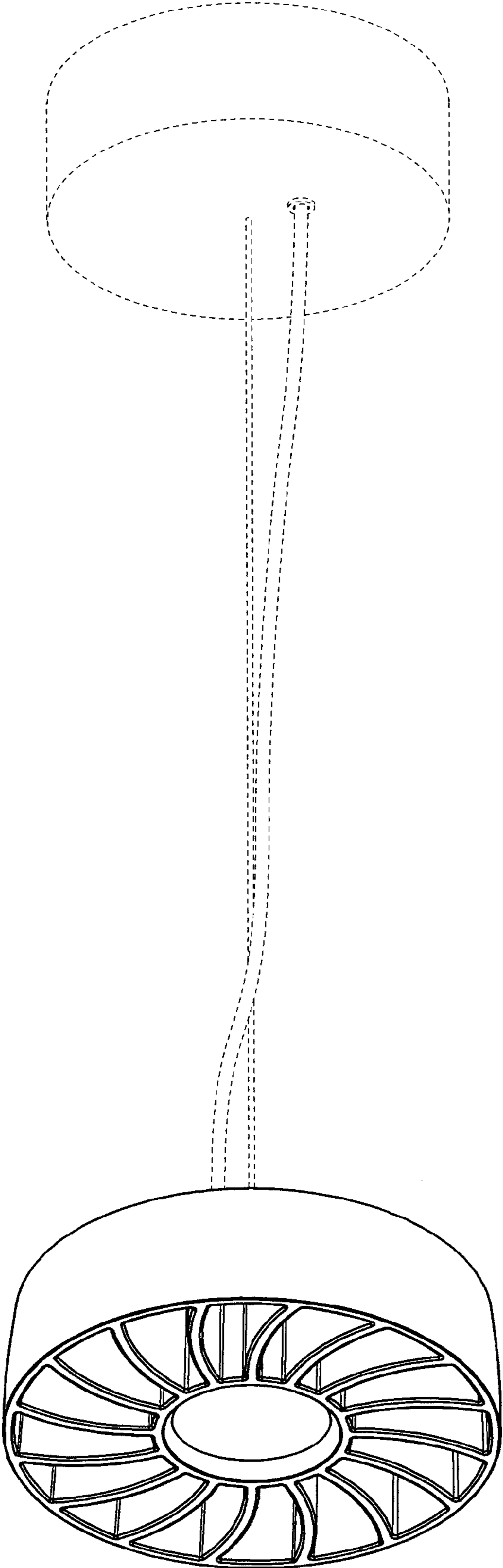


FIG. 5

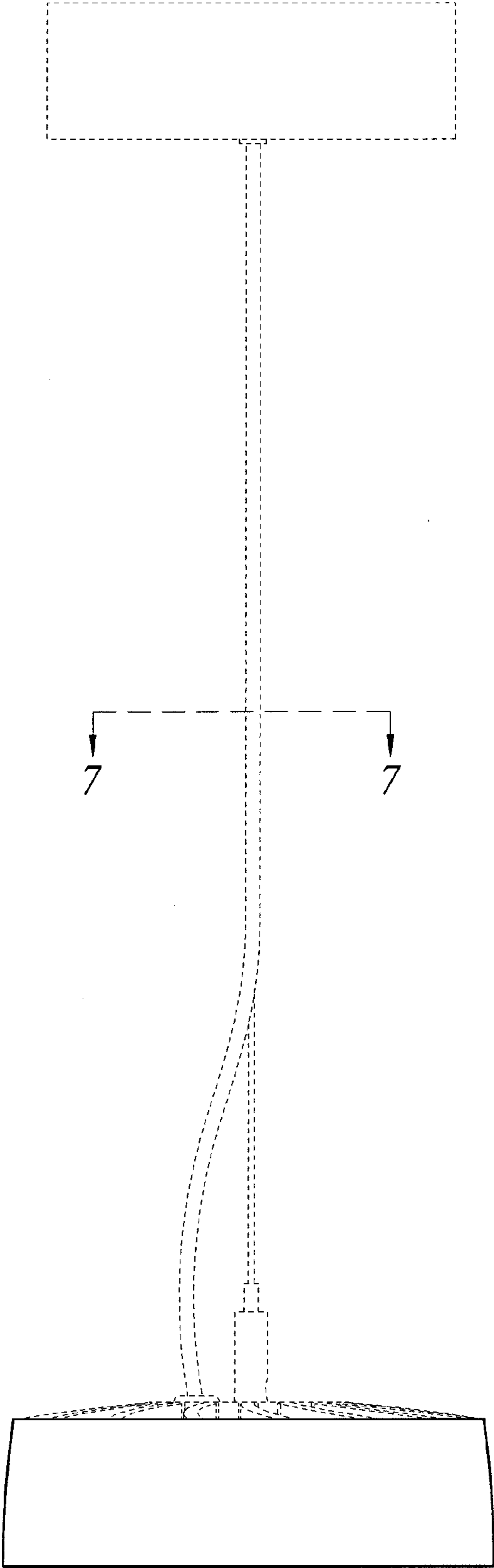


FIG. 6

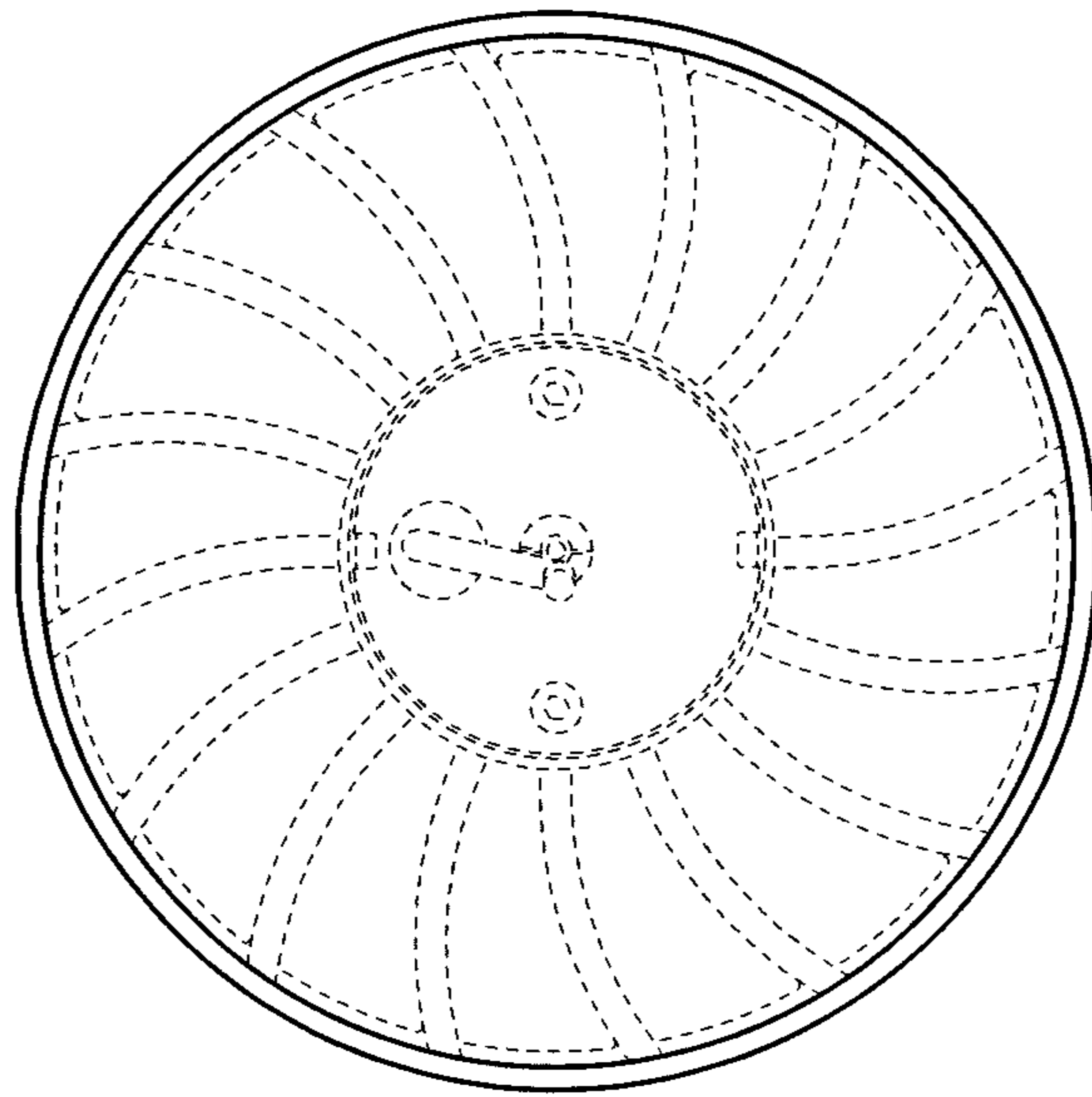


FIG. 7

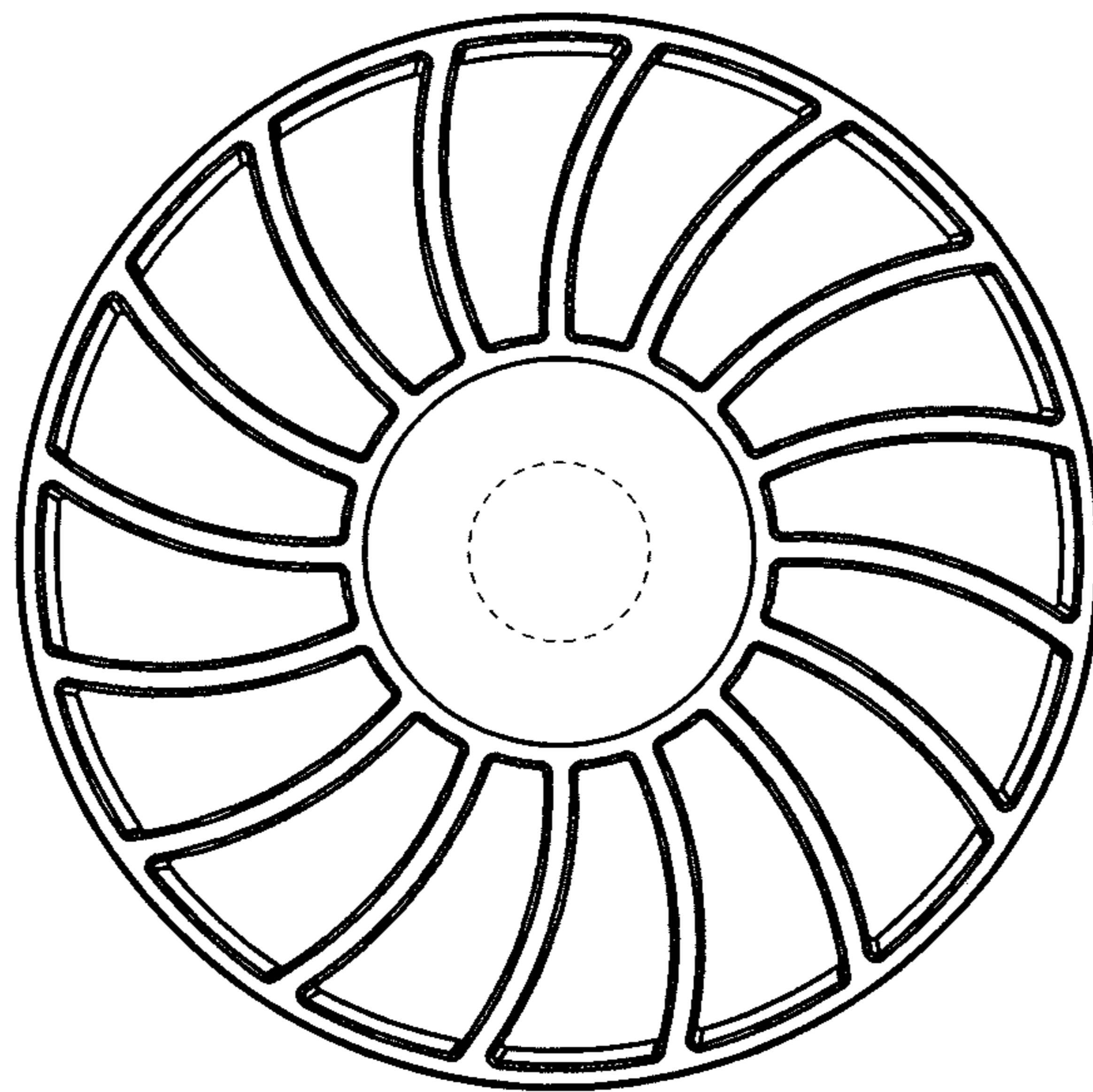


FIG. 8