



US00D689647S

(12) **United States Design Patent**  
**Brott et al.**

(10) **Patent No.:** **US D689,647 S**  
(45) **Date of Patent:** **\*\* Sep. 10, 2013**

(54) **LIGHT FIXTURE**

(75) Inventors: **Robert L. Brott**, Woodbury, MN (US);  
**Karl J. Geisler**, St. Paul, MN (US);  
**Raymond P. Johnston**, Lake Elmo, MN  
(US); **Thomas A Kaczowski**,  
University City, MO (US); **Jon A.**  
**Kirschhoffer**, Stillwater, MN (US);  
**Phillip D. Ziolkowski**, Richmond  
Heights, MO (US)

(73) Assignee: **3M Innovative Properties Company**,  
Saint Paul, MN (US)

(\*\*) Term: **14 Years**

(21) Appl. No.: **29/423,489**

(22) Filed: **Jun. 1, 2012**

(51) **LOC (9) Cl.** ..... **26-03**

(52) **U.S. Cl.**  
USPC ..... **D26/88**; D26/86; D26/90

(58) **Field of Classification Search**  
USPC ..... D26/75-78, 80, 84, 86, 88, 89, 90;  
362/133, 217.01, 218, 219, 221-224, 240,  
362/404-408  
See application file for complete search history.

(56) **References Cited**

U.S. PATENT DOCUMENTS

D152,889 S *	3/1949	Kuhler	.....	D26/85
D163,762 S *	6/1951	McCann	.....	D26/76
D189,857 S *	3/1961	Lasker	.....	D26/85
D240,549 S *	7/1976	Eftekhari	.....	D26/78
D295,329 S *	4/1988	Roos et al.	.....	D26/75
D311,596 S *	10/1990	Herst et al.	.....	D26/85
D336,352 S *	6/1993	Dieperink et al.	.....	D26/76
D358,899 S *	5/1995	Crouch	.....	D26/75
D483,510 S *	12/2003	Fritze et al.	.....	D26/75

D511,221 S *	11/2005	Zucker	.....	D26/76
D512,526 S *	12/2005	Zucker	.....	D26/76
D519,237 S *	4/2006	Kopp	.....	D26/76
D547,897 S *	7/2007	Willmorth et al.	.....	D26/76
D557,442 S *	12/2007	Niemier	.....	D26/85
D604,447 S *	11/2009	Klaus	.....	D26/76
D610,293 S *	2/2010	Klaus	.....	D26/76
D613,897 S *	4/2010	Thun	.....	D26/88
D637,338 S *	5/2011	Kong et al.	.....	D26/88
D649,677 S *	11/2011	Wegger et al.	.....	D26/90
D664,282 S *	7/2012	Santoro et al.	.....	D26/90

\* cited by examiner

*Primary Examiner* — Clare E Heflin

(74) *Attorney, Agent, or Firm* — Jay R. Pralle

(57) **CLAIM**

The ornamental design for a light fixture, as shown and described.

**DESCRIPTION**

FIG. 1 is a top perspective view of the new design for a light fixture.

FIG. 2 is a right side elevation view thereof, which is a mirror image of the left side elevation view thereof;

FIG. 3 is an edge elevation view thereof;

FIG. 4 is a top plan view thereof; and

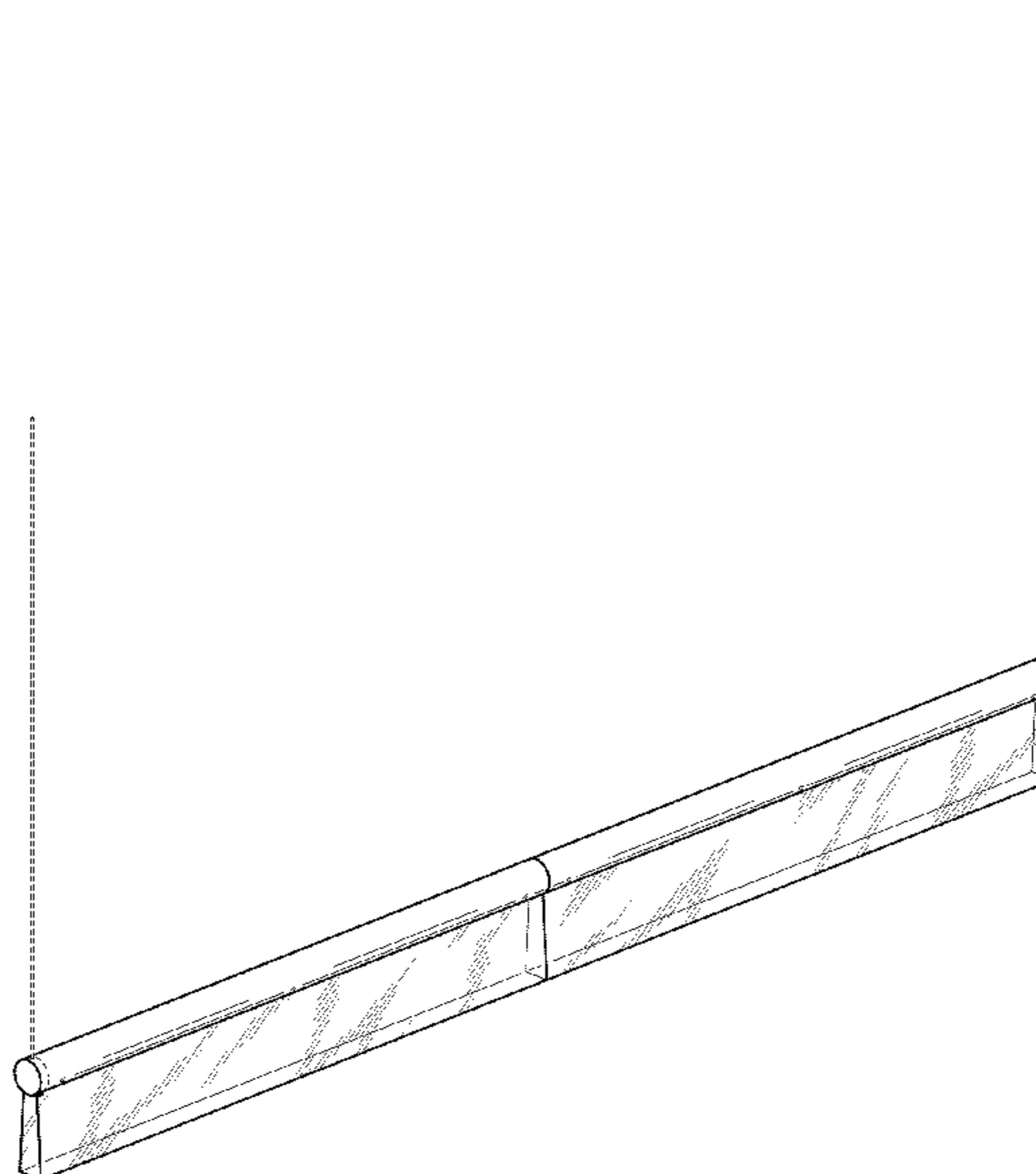
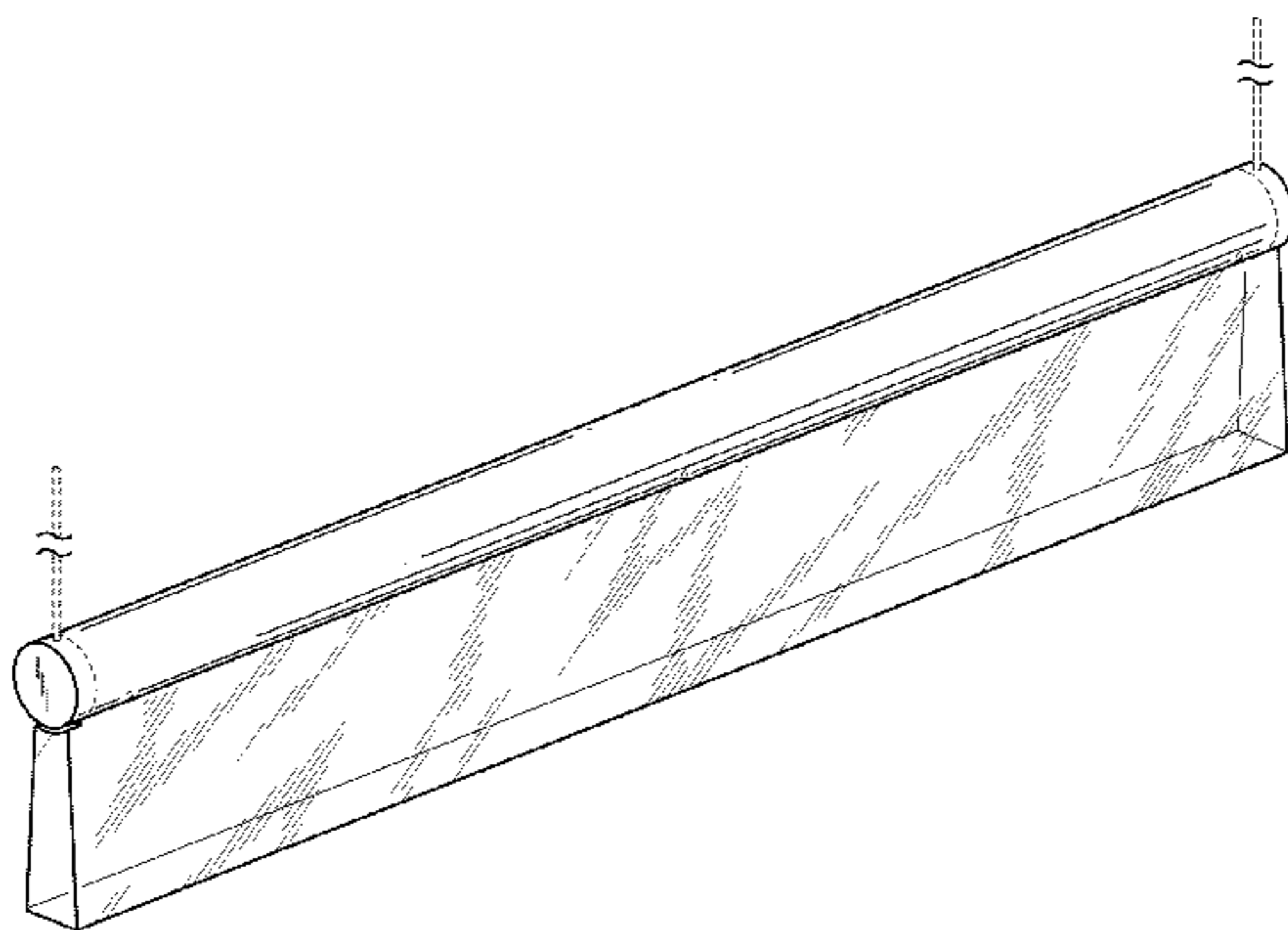
FIG. 5 is a bottom plan view thereof.

FIG. 6 is a top perspective view of second embodiment of the new design for a light fixture wherein all features are the same as the first embodiment, the only difference being the transparent quality of the planar section thereof; and,

FIG. 7 is a top perspective view of third embodiment of the new design for a light fixture wherein all features are the same as the second embodiment, the only difference being the addition of a second identical module.

The broken lines shown on the drawings represent portions of the light fixture that form no part of the claimed design.

**1 Claim, 3 Drawing Sheets**



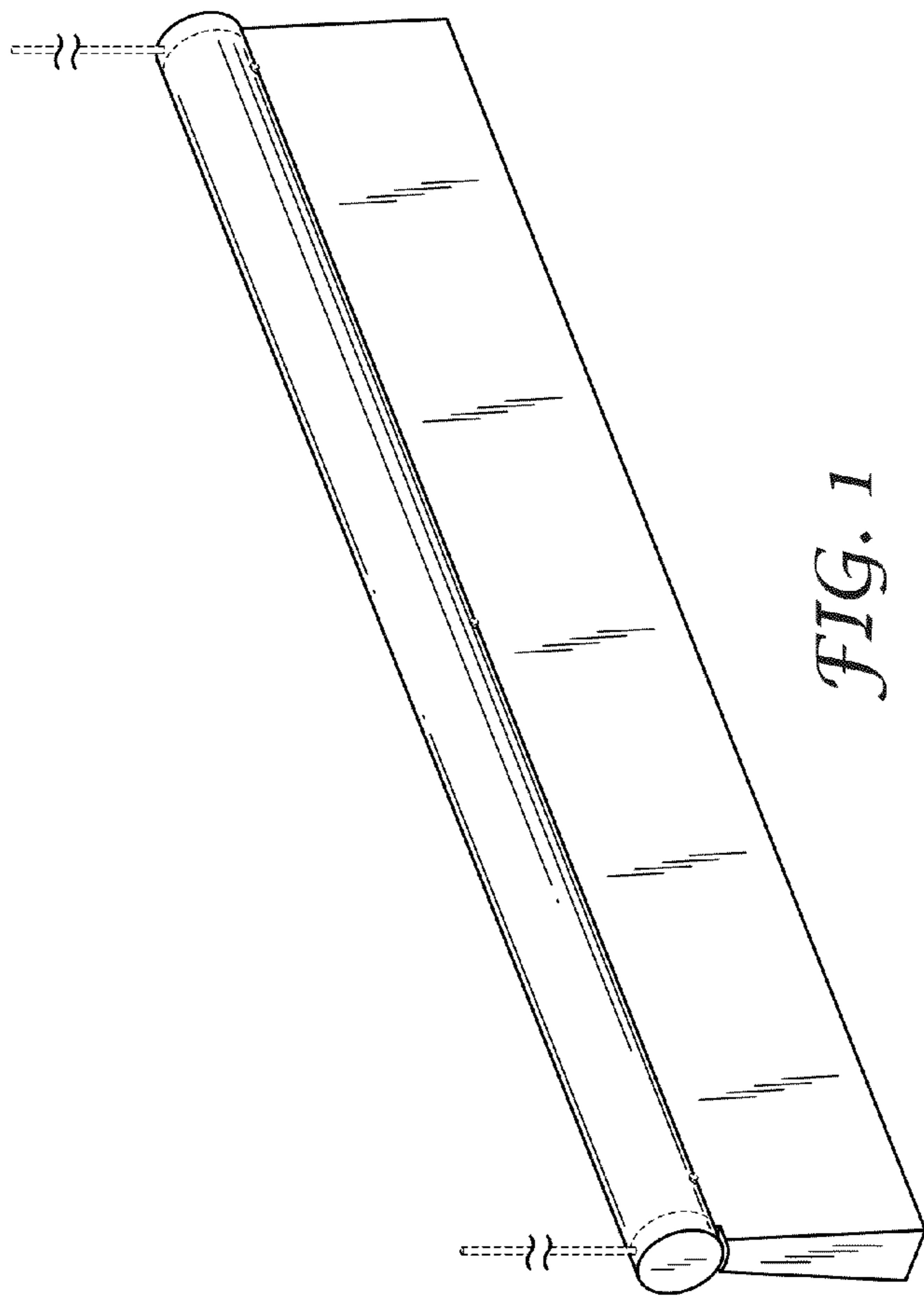


FIG. 1

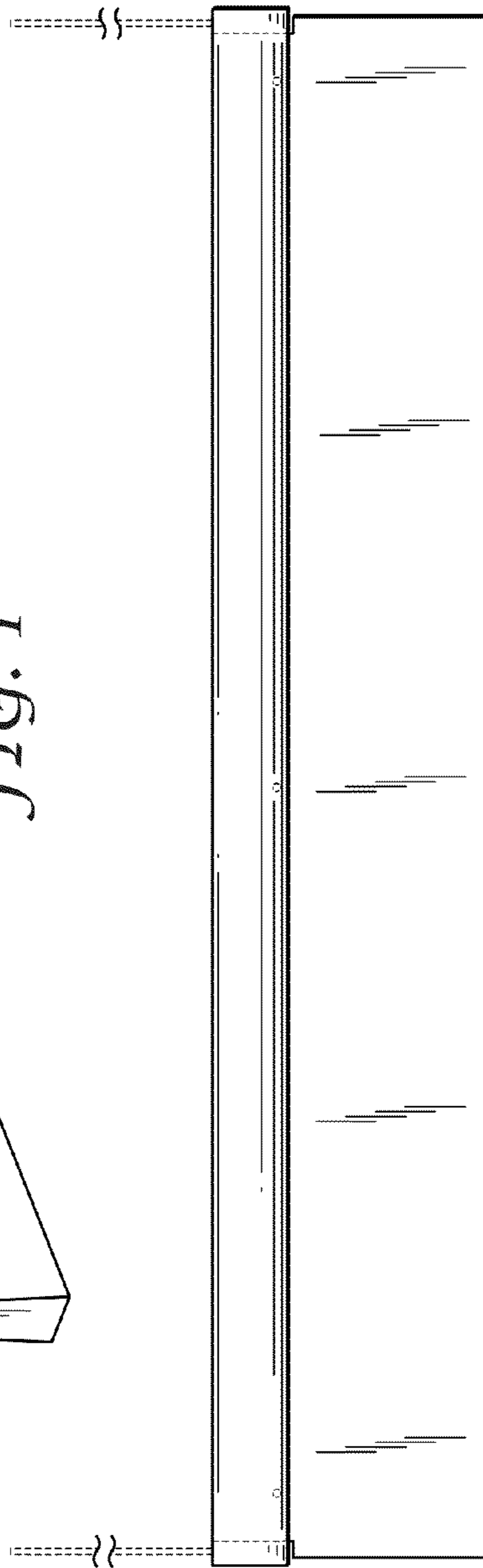


FIG. 2

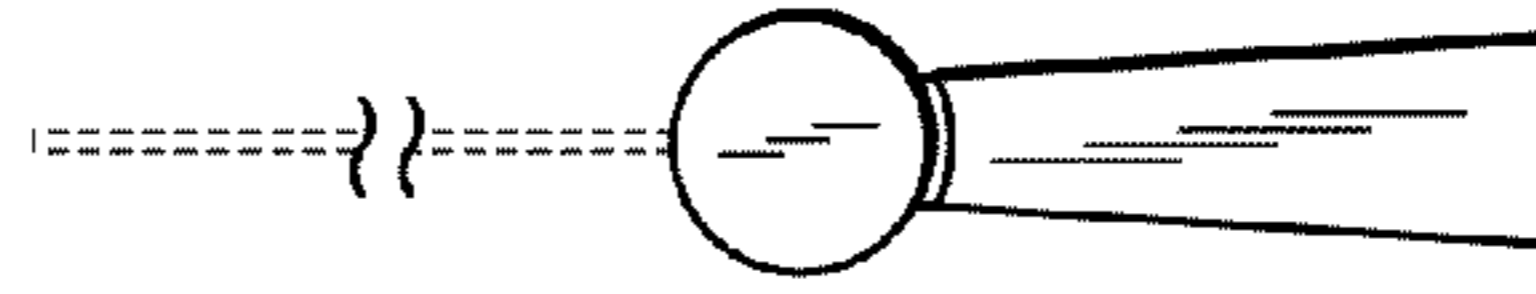


FIG. 3

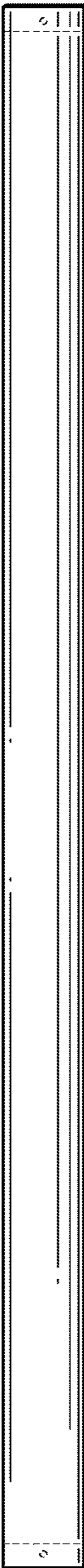


FIG. 4

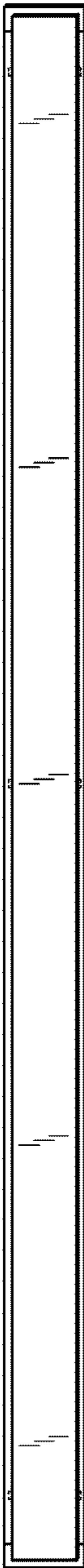


FIG. 5

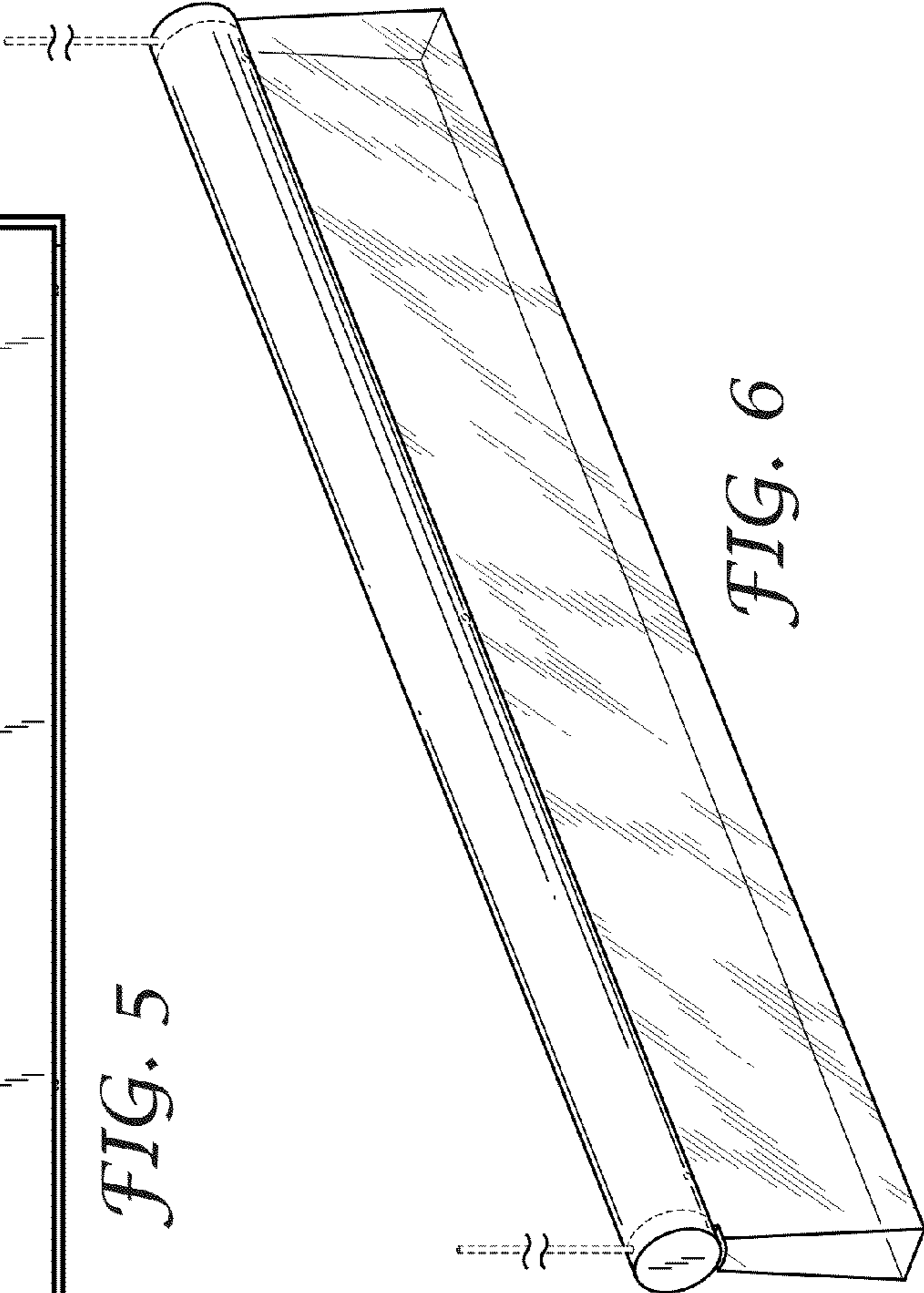
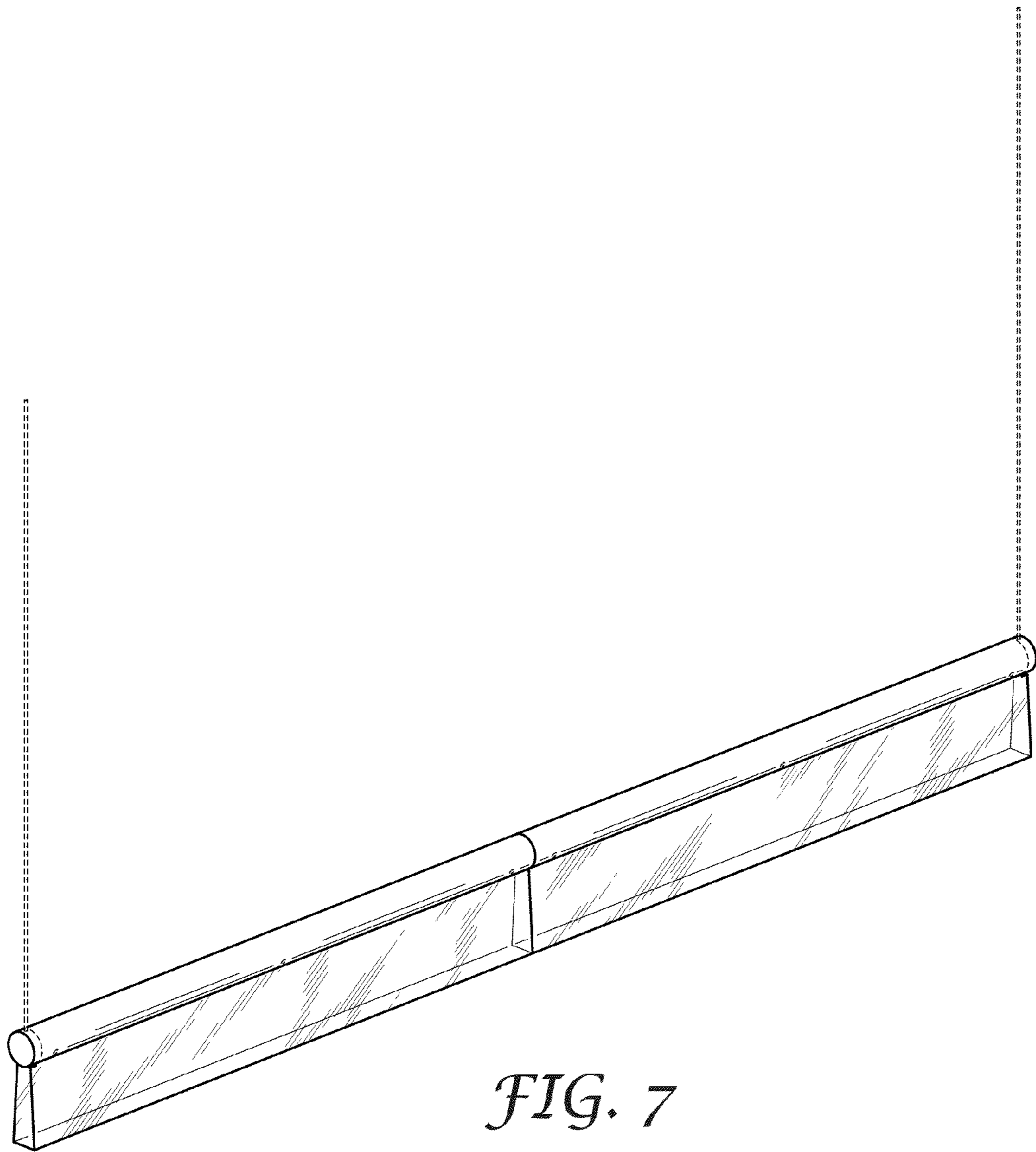


FIG. 6



*FIG. 7*