



US00D689646S

(12) **United States Design Patent**  
**Nankil**

(10) **Patent No.:** **US D689,646 S**

(45) **Date of Patent:** **\*\* Sep. 10, 2013**

(54) **WALL MOUNTED LIGHT FIXTURE HAVING STRUTS**

(75) Inventor: **Robert R. Nankil**, Buena Park, CA (US)

(73) Assignee: **Hubbell Incorporated**, Shelton, CT (US)

(\*\*) Term: **14 Years**

(21) Appl. No.: **29/411,733**

(22) Filed: **Jan. 25, 2012**

(51) **LOC (9) Cl.** ..... **26-03**

(52) **U.S. Cl.**  
USPC ..... **D26/85**

(58) **Field of Classification Search**  
USPC ..... D26/72, 85-92; 362/147, 432  
See application file for complete search history.

(56) **References Cited**

U.S. PATENT DOCUMENTS

D40,241 S	8/1909	Greenwald
999,813 A	8/1911	Losey
1,019,246 A	3/1912	Godinez et al.
1,082,753 A	12/1913	Losey
1,473,380 A	11/1923	Peterson
1,732,745 A	10/1929	Erskine
D82,136 S	9/1930	Chapman
D85,931 S	1/1932	Graff
D100,556 S	7/1936	Gosling
D125,314 S	2/1941	Proulx
D138,831 S	9/1944	McCann
D152,994 S	3/1949	McCann
D154,302 S	6/1949	Palmquist
2,523,818 A	9/1950	Cortes
D160,899 S	11/1950	Stevens
2,793,285 A	5/1957	Brainerd

D185,974 S	8/1959	Rambusch et al.
D194,624 S	2/1963	Pettengill
D199,266 S	9/1964	Izzi
D199,409 S	10/1964	Van Steenhoven
3,194,952 A	7/1965	Wells
D206,881 S	2/1967	Moranduzzo

(Continued)

FOREIGN PATENT DOCUMENTS

GB	2025424	9/1992
GB	2044993	2/1995

(Continued)

OTHER PUBLICATIONS

Architectural Area Lighting, Venere Series Catalog, Jan. 2007, pp. 1-20, US.

*Primary Examiner* — Clare E Heflin

(74) *Attorney, Agent, or Firm* — Garrett V. Davis; Mark S. Bicks; Alfred N. Goodman

(57) **CLAIM**

The ornamental design for a wall mounted light fixture having struts, as shown and described.

**DESCRIPTION**

FIG. 1 is a top perspective view of the lighting fixture of the invention;

FIG. 2 is a top view of the lighting fixture of FIG. 1;

FIG. 3 is a front view of the lighting fixture of FIG. 1;

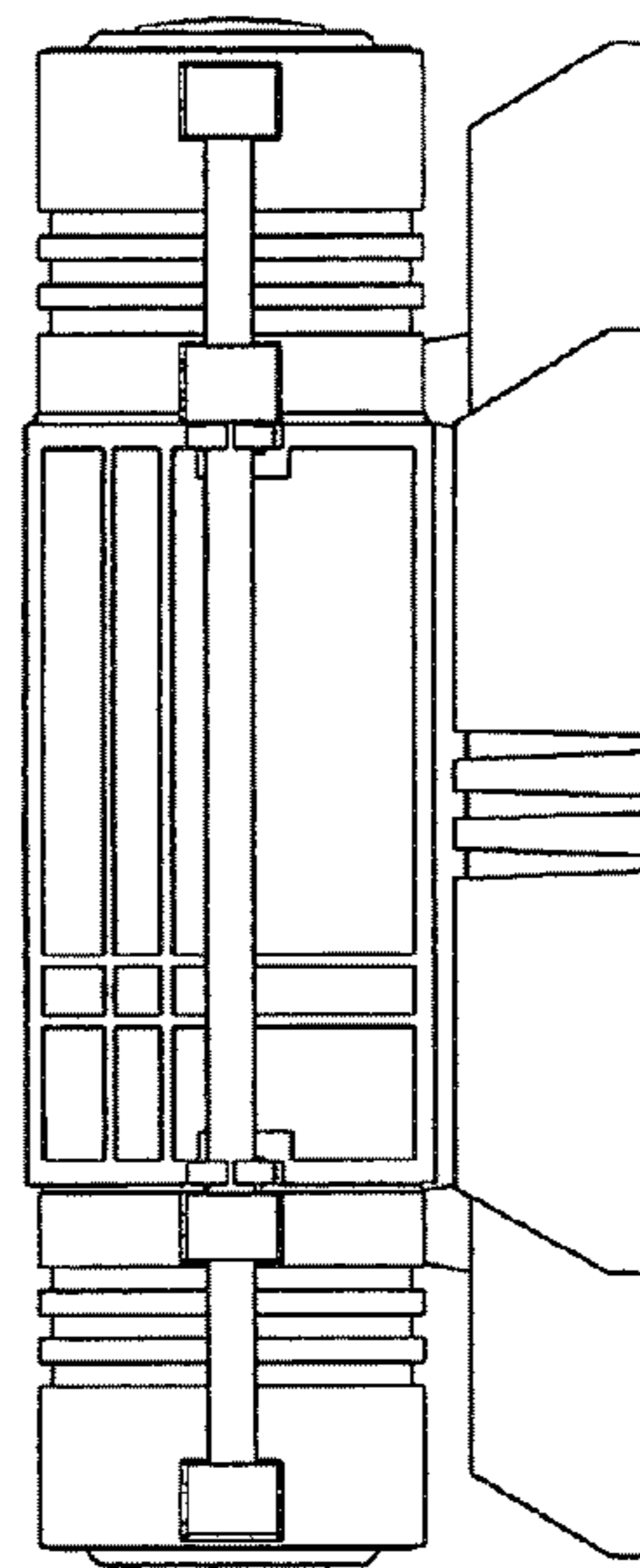
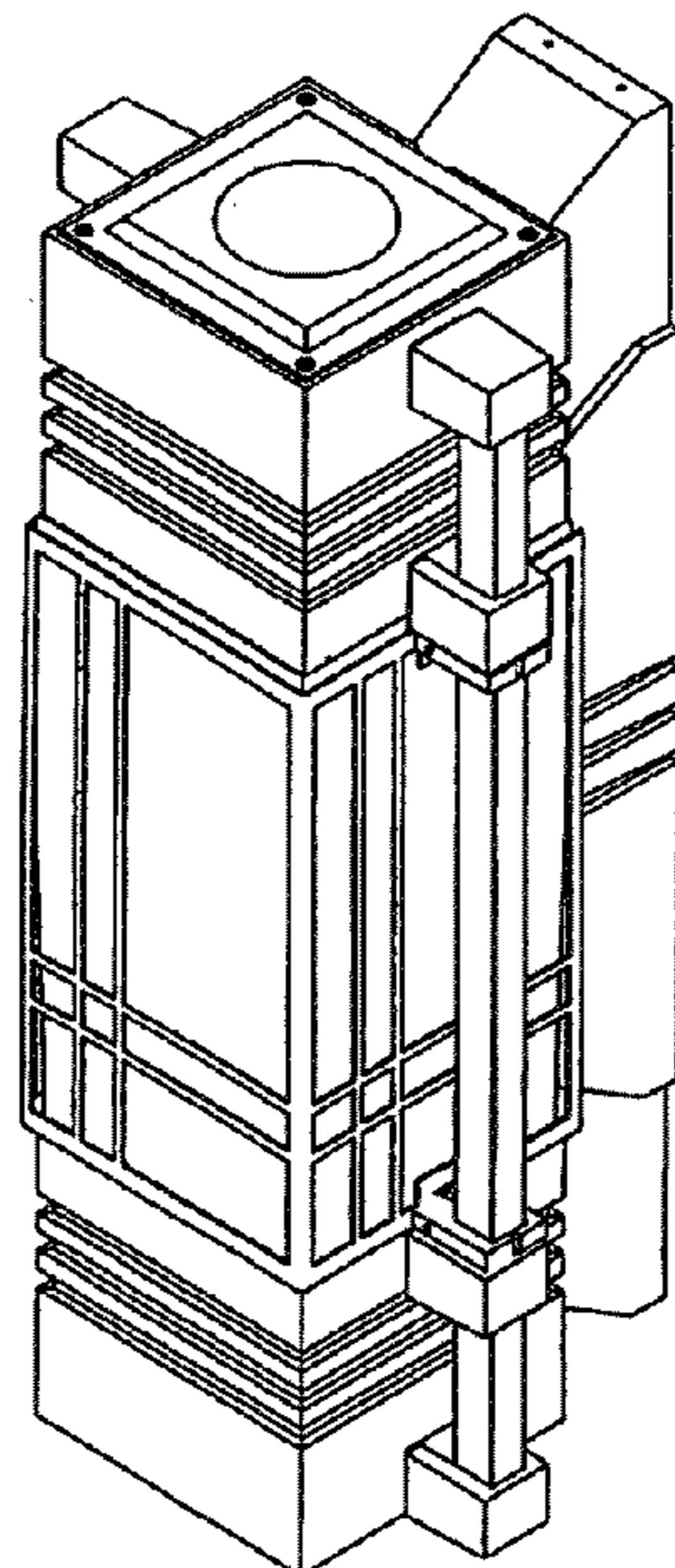
FIG. 4 is a right side view of the lighting fixture of FIG. 1 where the left side view is a mirror image thereof;

FIG. 5 is a rear view of the lighting fixture of FIG. 1;

FIG. 6 is a bottom perspective view of the lighting fixture of FIG. 1; and,

FIG. 7 is a bottom view of the lighting fixture of FIG. 1.

**1 Claim, 3 Drawing Sheets**



(56)

References Cited

U.S. PATENT DOCUMENTS

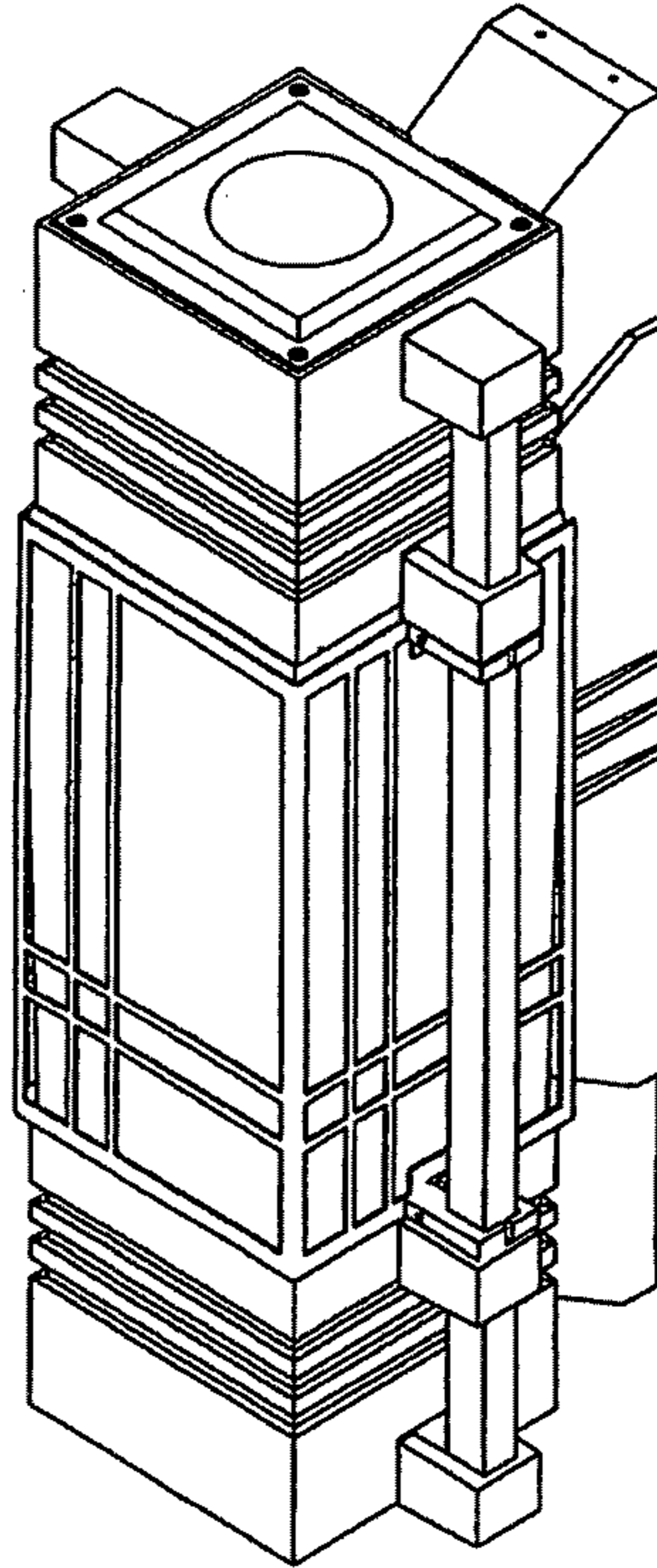
D208,659 S 9/1967 Koziol  
 D211,277 S 6/1968 Layton  
 D219,022 S 10/1970 Yamazaki  
 3,833,804 A 9/1974 Vesely  
 D235,677 S 7/1975 Goldberg  
 D235,914 S 7/1975 Schacht  
 D239,460 S 4/1976 Schacht  
 4,069,415 A 1/1978 Dacal  
 D298,861 S 12/1988 Ewing et al.  
 4,858,088 A 8/1989 Agabekov  
 4,951,184 A 8/1990 Makurof  
 D338,977 S 8/1993 Ewing et al.  
 5,384,694 A 1/1995 Yang  
 5,430,631 A 7/1995 Dick  
 D362,082 S 9/1995 McDowell  
 D383,238 S 9/1997 Chen  
 D403,097 S 12/1998 Littman  
 D411,030 S 6/1999 Chen  
 D427,349 S 6/2000 Landefeld  
 D427,350 S 6/2000 Landefeld  
 D427,351 S 6/2000 Landefeld  
 D427,705 S 7/2000 Landefeld  
 D444,584 S 7/2001 Landefeld  
 D453,388 S 2/2002 Leen  
 D465,296 S 11/2002 DiPasquale  
 6,494,599 B1 12/2002 Leen  
 D473,333 S 4/2003 Willmorth  
 D506,281 S 6/2005 Randazzo et al.  
 D518,221 S 3/2006 Randazzo et al.  
 7,066,613 B2 6/2006 Vishwamitra  
 D524,475 S 7/2006 Randazzo et al.  
 D535,427 S 1/2007 Chandler  
 D537,189 S 2/2007 Zhang  
 D537,556 S 2/2007 Summerford et al.  
 D553,286 S 10/2007 Chung et al.

D563,016 S \* 2/2008 Ho et al. .... D26/67  
 D563,584 S 3/2008 Lee et al.  
 7,387,409 B1 6/2008 Beadle  
 D580,084 S 11/2008 Walsh  
 D580,581 S 11/2008 Grant  
 D583,494 S 12/2008 Friedman et al.  
 7,473,016 B2 1/2009 Flaherty et al.  
 D586,493 S 2/2009 Parres  
 D589,194 S 3/2009 Sabernig  
 D594,152 S 6/2009 Miranda  
 D597,696 S 8/2009 Sabernig  
 D601,291 S 9/2009 Nankil  
 D617,034 S \* 6/2010 Compton ..... D26/85  
 D625,455 S \* 10/2010 Sonneman ..... D26/85  
 D629,949 S 12/2010 Ho  
 D629,954 S \* 12/2010 Compton ..... D26/85  
 D629,955 S \* 12/2010 Compton ..... D26/85  
 D639,995 S \* 6/2011 Compton ..... D26/85  
 D640,806 S 6/2011 Zheng  
 D646,832 S 10/2011 Chen  
 D647,235 S 10/2011 Nankil  
 D669,622 S \* 10/2012 Orozco ..... D26/85  
 D671,669 S \* 11/2012 Orozco ..... D26/85  
 2003/0202340 A1 10/2003 Wu  
 2006/0274537 A1 12/2006 Randazzo

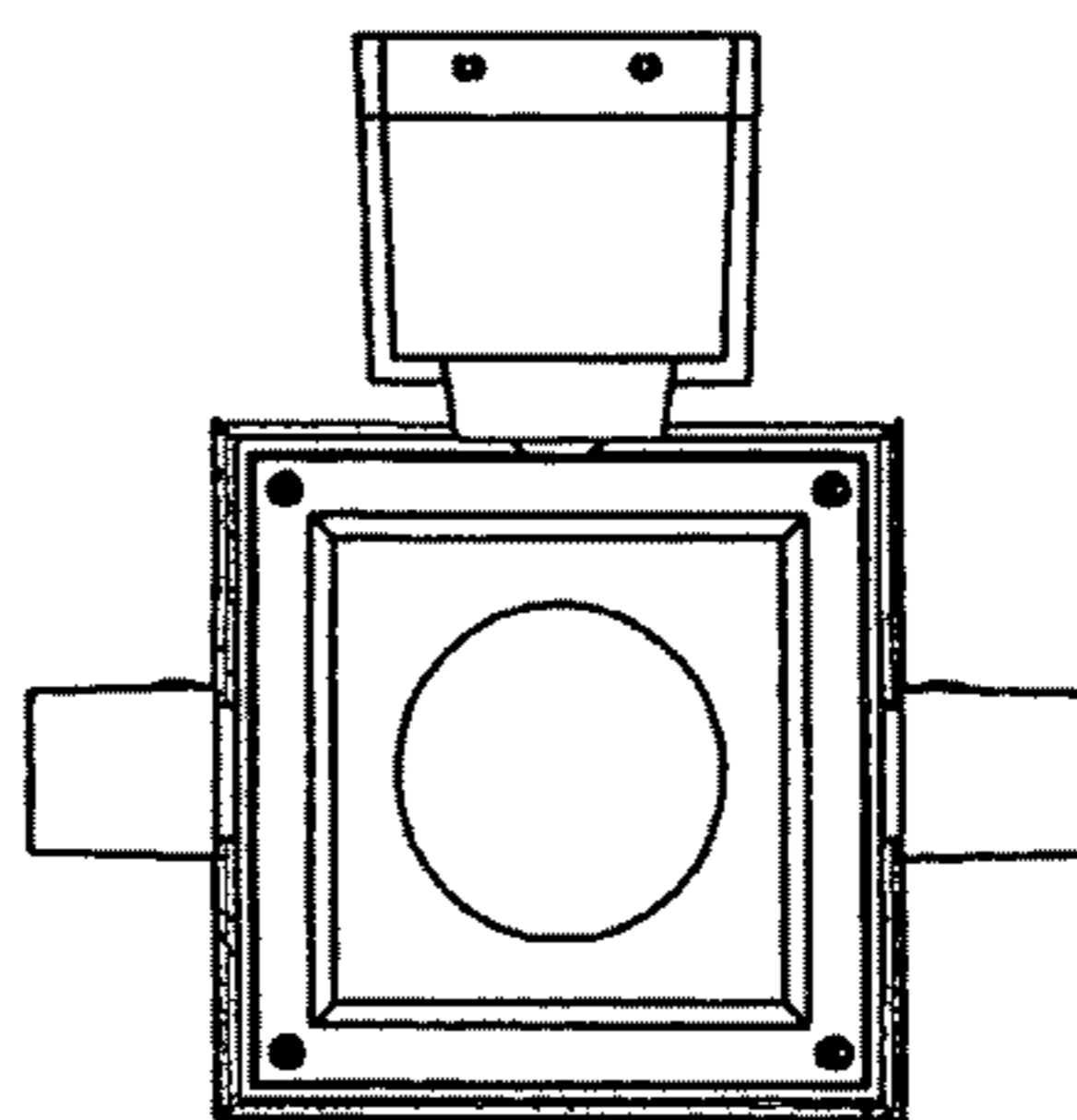
FOREIGN PATENT DOCUMENTS

GB 2046752 4/1995  
 GB 2057479 7/1996  
 GB 2088112 11/1999  
 GB 3005118 7/2002  
 GB 3009606 12/2002  
 GB 3010811 2/2003  
 GB 3010812 2/2003  
 GB 3010813 2/2003  
 GB 4005870 1/2008

\* cited by examiner

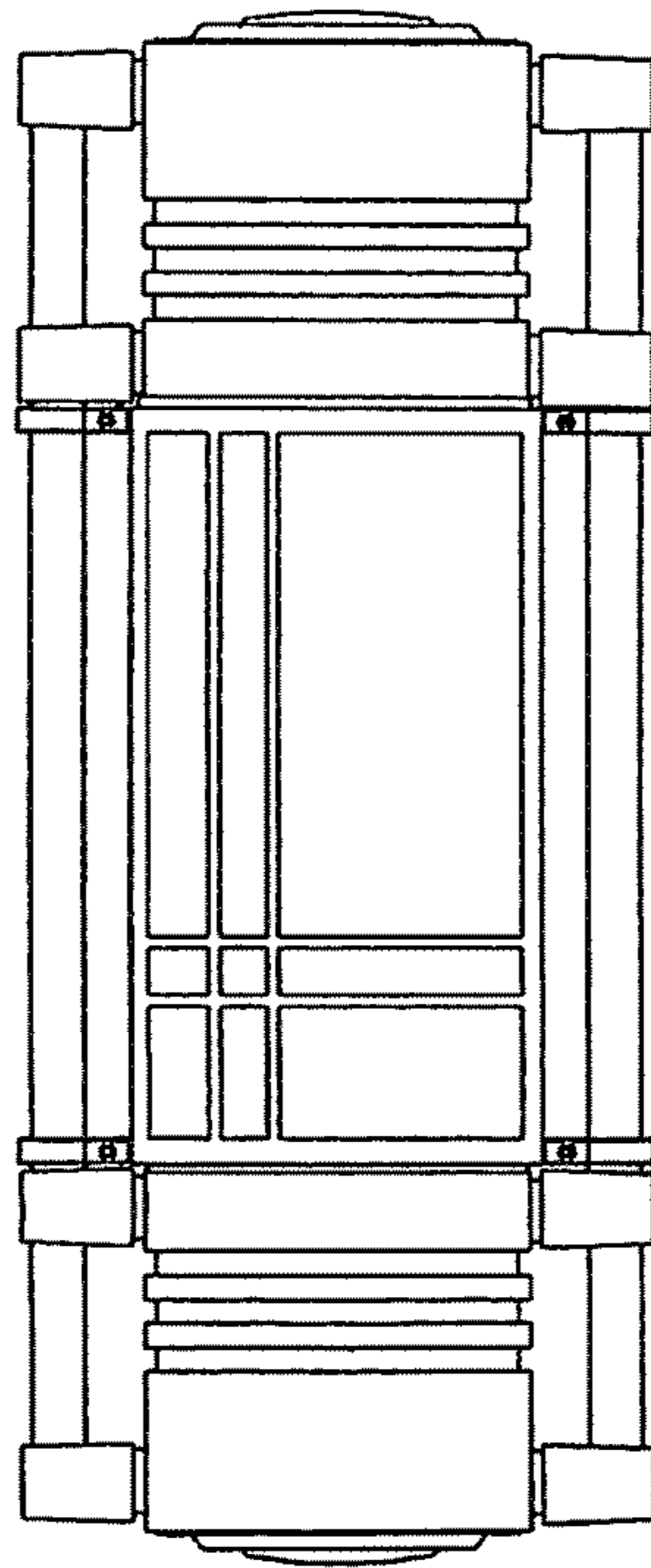


**FIG. 1**

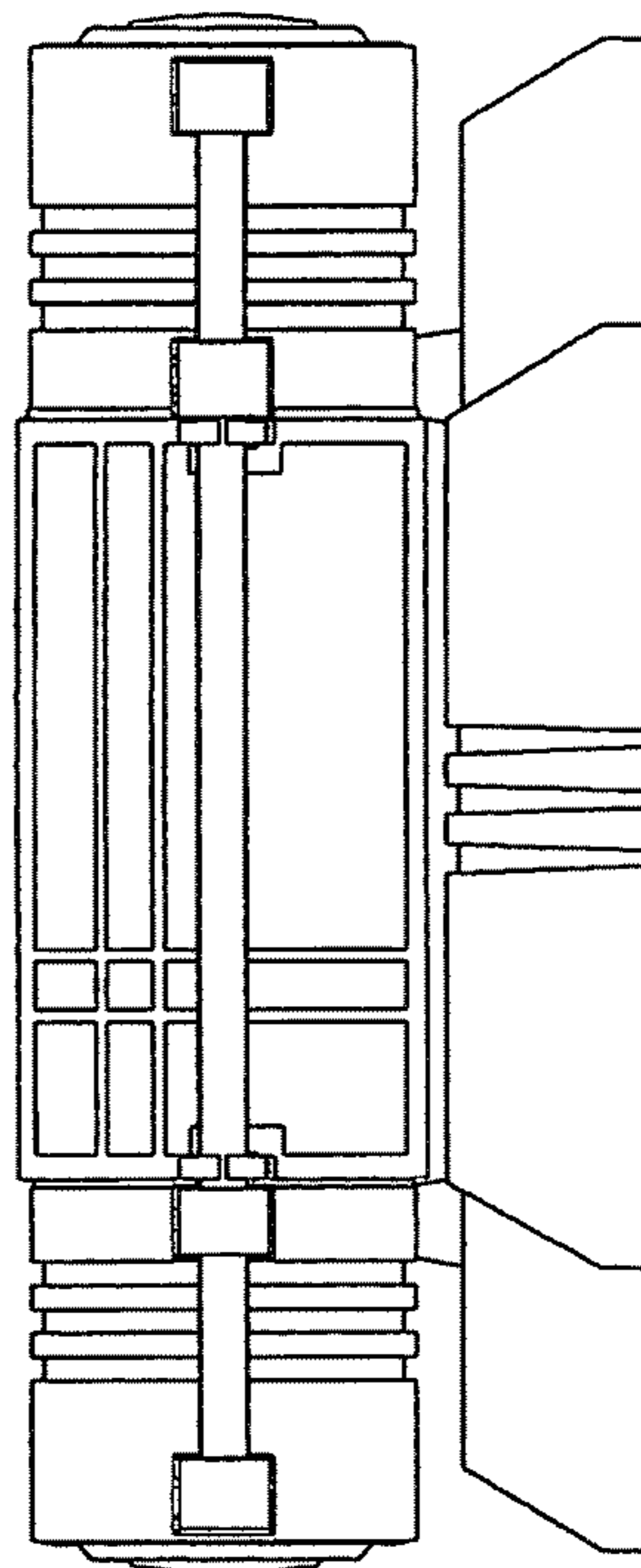


**FIG. 2**

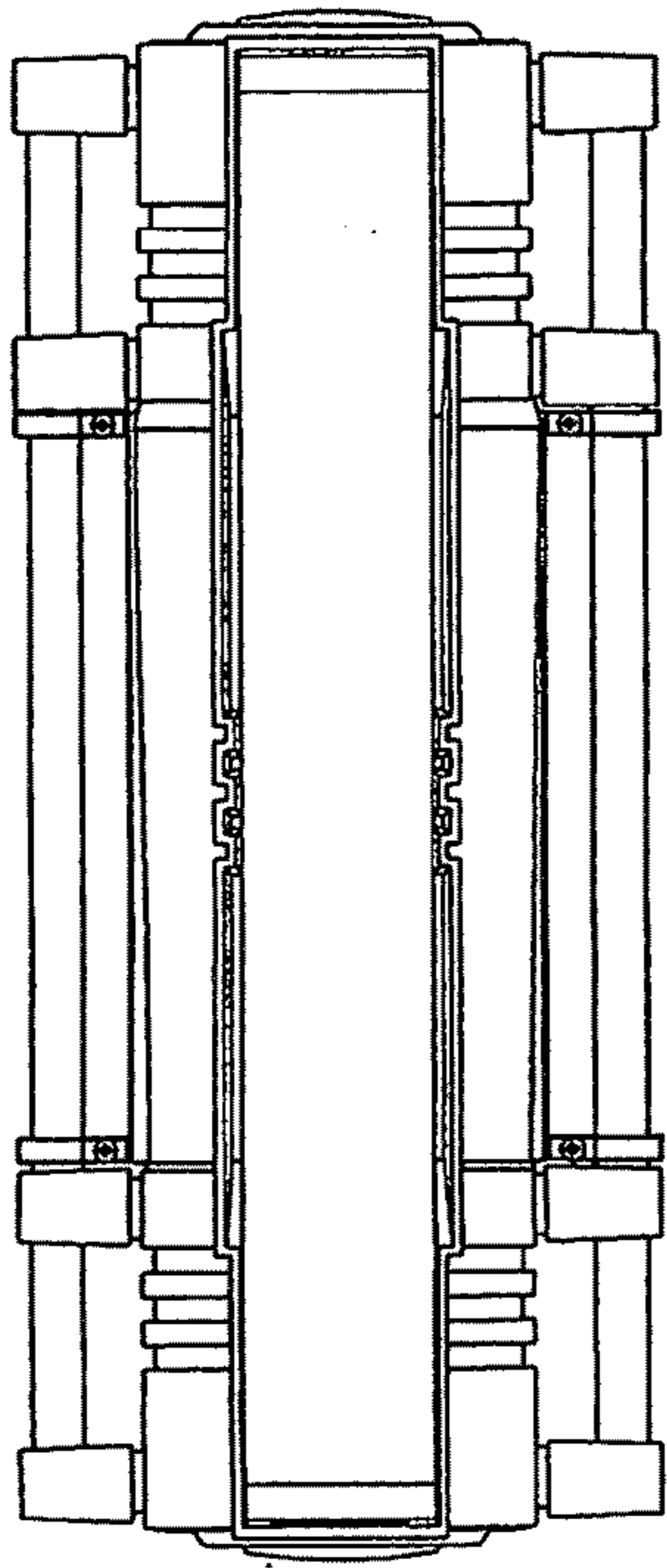




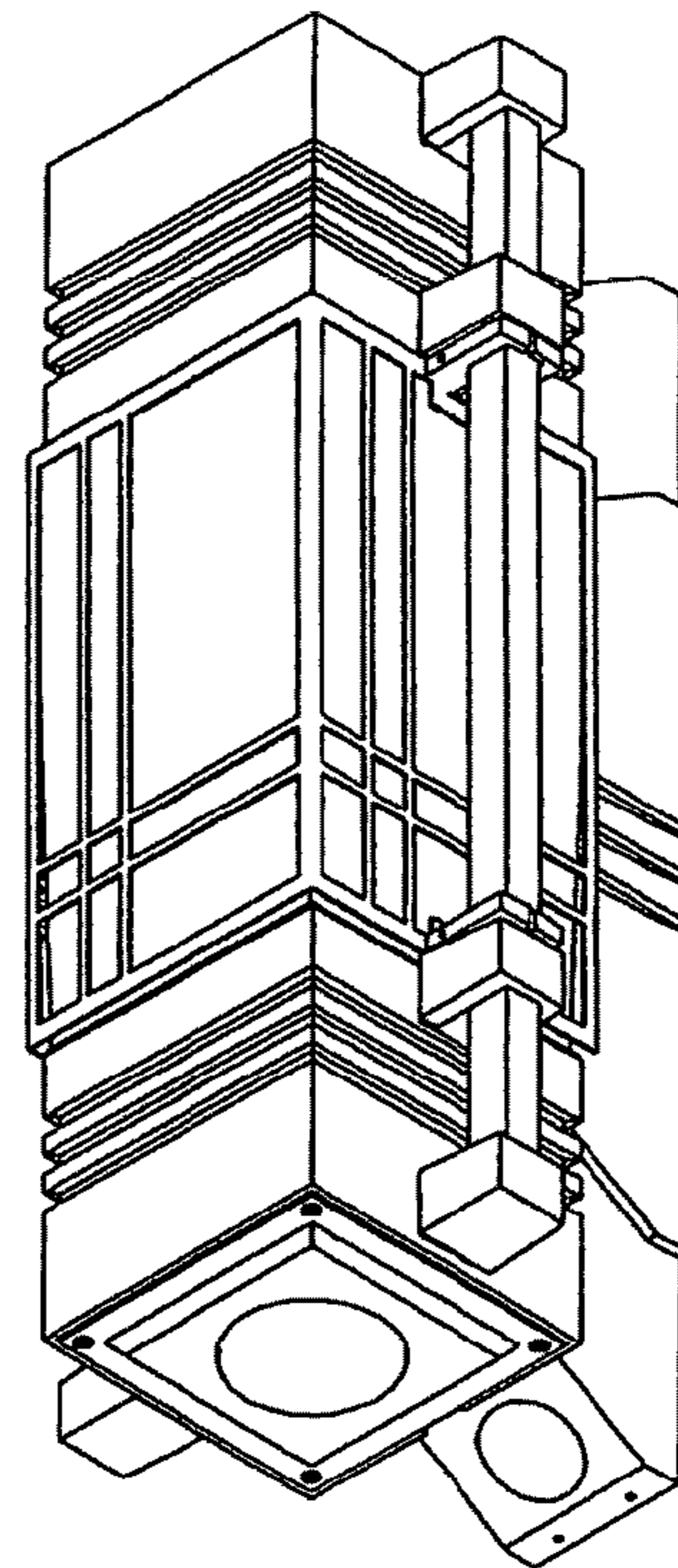
**FIG. 3**



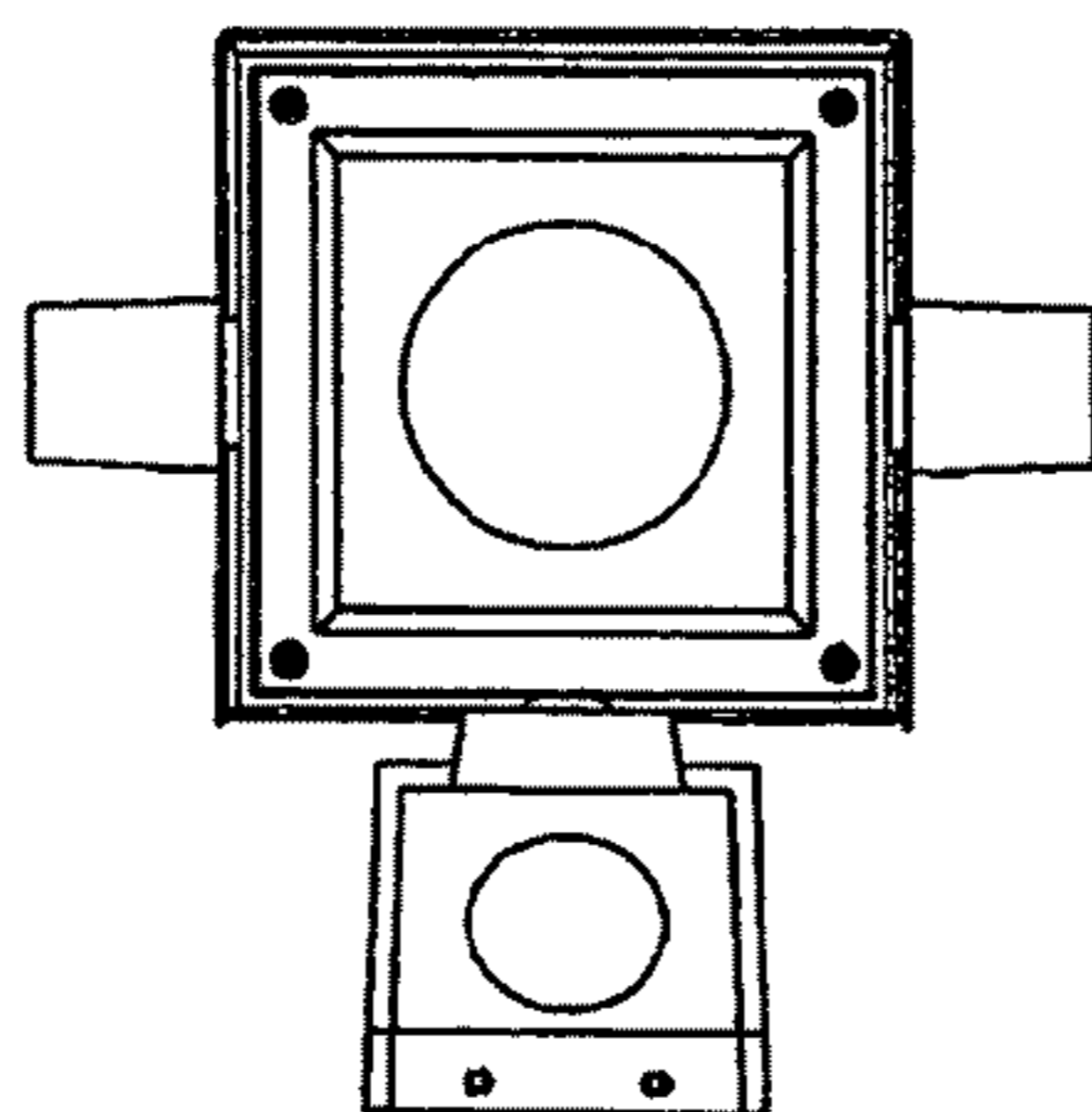
**FIG. 4**



**FIG. 5**



**FIG. 6**



**FIG. 7**