



US00D689644S

(12) **United States Design Patent**
Stathis et al.

(10) **Patent No.:** **US D689,644 S**

(45) **Date of Patent:** **** Sep. 10, 2013**

(54) **LIGHTING FIXTURE**

(76) Inventors: **Peter Stathis**, San Francisco, CA (US);
Derrick Hurst, San Francisco, CA (US)

(**) Term: **14 Years**

(21) Appl. No.: **29/420,698**

(22) Filed: **May 11, 2012**

(51) **LOC (9) Cl.** **26-03**

(52) **U.S. Cl.**
USPC **D26/65**

(58) **Field of Classification Search**
USPC D26/24, 61–67, 93, 102, 104–105,
D26/108–10, 107; 362/509, 516, 523, 186,
362/217, 255, 257, 277, 317, 319, 351, 354,
362/355, 357, 358, 362, 382, 410, 413, 417,
362/806

See application file for complete search history.

(56) **References Cited**

U.S. PATENT DOCUMENTS

4,463,413	A	7/1984	Shirley	
D280,030	S *	8/1985	Matthews	D26/60
4,638,413	A	1/1987	Tarlow	
D330,266	S *	10/1992	Lin	D26/65
5,586,820	A	12/1996	Klink	
5,613,771	A	3/1997	Siverling	
5,664,747	A	9/1997	Eilering	
5,732,924	A	3/1998	Hegarty et al.	
5,772,174	A	6/1998	Hirsch et al.	
5,997,151	A	12/1999	Douglass, II	
6,022,119	A	2/2000	Booty, Jr.	
6,129,319	A	10/2000	Metelski	
D467,378	S *	12/2002	Wang	D26/65
D500,156	S *	12/2004	Kao	D26/61
7,061,169	B1	6/2006	Fung	
7,367,742	B2	5/2008	Brunneke et al.	
7,467,871	B2	12/2008	Lawhorn et al.	
D603,993	S *	11/2009	Sabernig	D26/65
D624,226	S *	9/2010	Huang	D26/65

D628,729 S * 12/2010 Citterio D26/65
D665,116 S * 8/2012 Chien D26/65
D667,982 S * 9/2012 Meda et al. D26/65

(Continued)

FOREIGN PATENT DOCUMENTS

DE 4344073 A1 7/1995

Primary Examiner — Brian N Vinson

(74) Attorney, Agent, or Firm — PatentBest; Andrew McAleavey

(57) **CLAIM**

The ornamental design for a lighting fixture, as shown and described.

DESCRIPTION

This application is related to a design patent application naming the same inventors, entitled “Lighting Fixture,” filed on the same date and given 29/420,705. The contents of that application are incorporated by reference herein in their entirety.

FIG. 1 is a perspective view of a lighting fixture illustrating our new design;

FIG. 2 is a front elevational view of the lighting fixture;

FIG. 3 is a rear elevational view of the lighting fixture;

FIG. 4 is a side elevational view of one side of the lighting fixture;

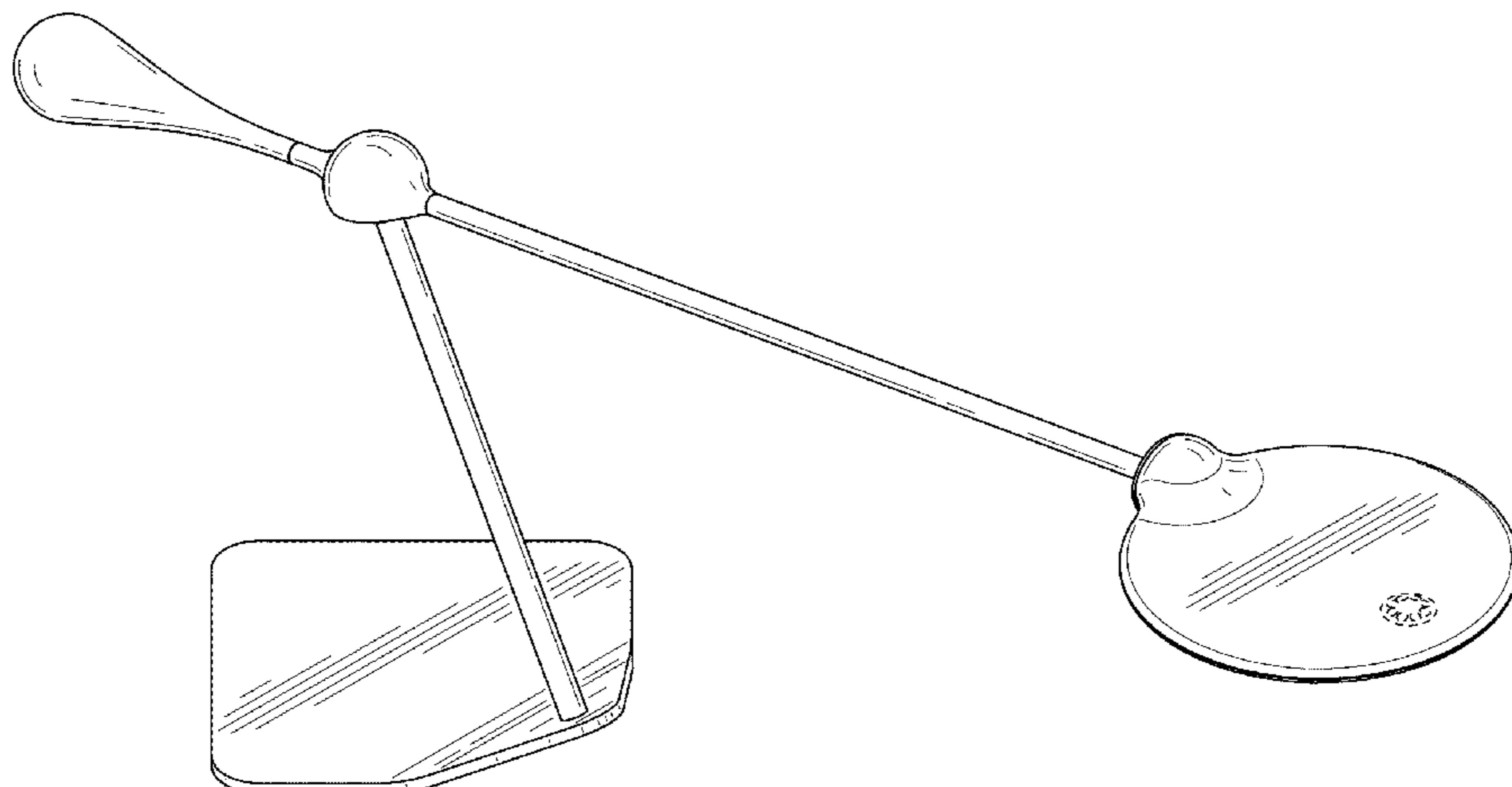
FIG. 5 is a side elevational view of the other side of the lighting fixture;

FIG. 6 is a top plan view of the lighting fixture; and,

FIG. 7 is a bottom plan view of the lighting fixture.

In the drawing figures, the broken lines immediately adjacent the shaded areas represent the bounds of the claimed design, while all other broken lines are directed to environment and are for illustrative purposes only; the broken lines form no part of the claimed design.

1 Claim, 5 Drawing Sheets



(56)

References Cited

U.S. PATENT DOCUMENTS

D674,531 S * 1/2013 Yuen D26/93
2005/0092874 A1 5/2005 Lawhorn et al.
2006/0029904 A1 2/2006 Rose et al.
2006/0120092 A1 6/2006 Sapper
2006/0166161 A1 7/2006 Rose et al.

2007/0109797 A1 5/2007 Reda, Jr.
2008/0096156 A1 4/2008 Rose et al.
2008/0096159 A1 4/2008 Rose et al.
2009/0142724 A1 6/2009 Rosenblood et al.
2009/0236484 A1 9/2009 Koch et al.
2010/0002442 A1 1/2010 Claerhout et al.
2010/0265461 A1 10/2010 Gille et al.

* cited by examiner

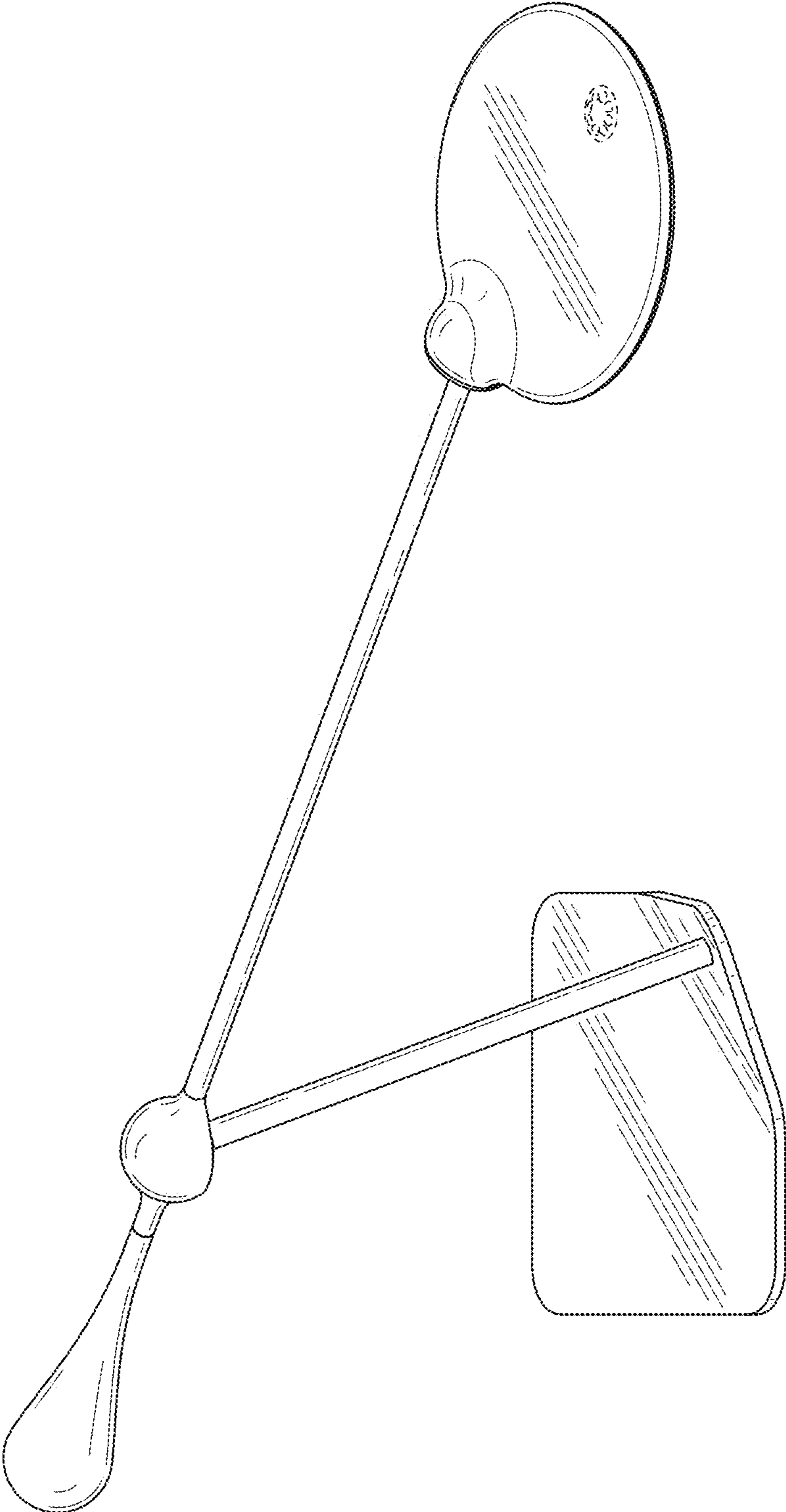


FIG. 1

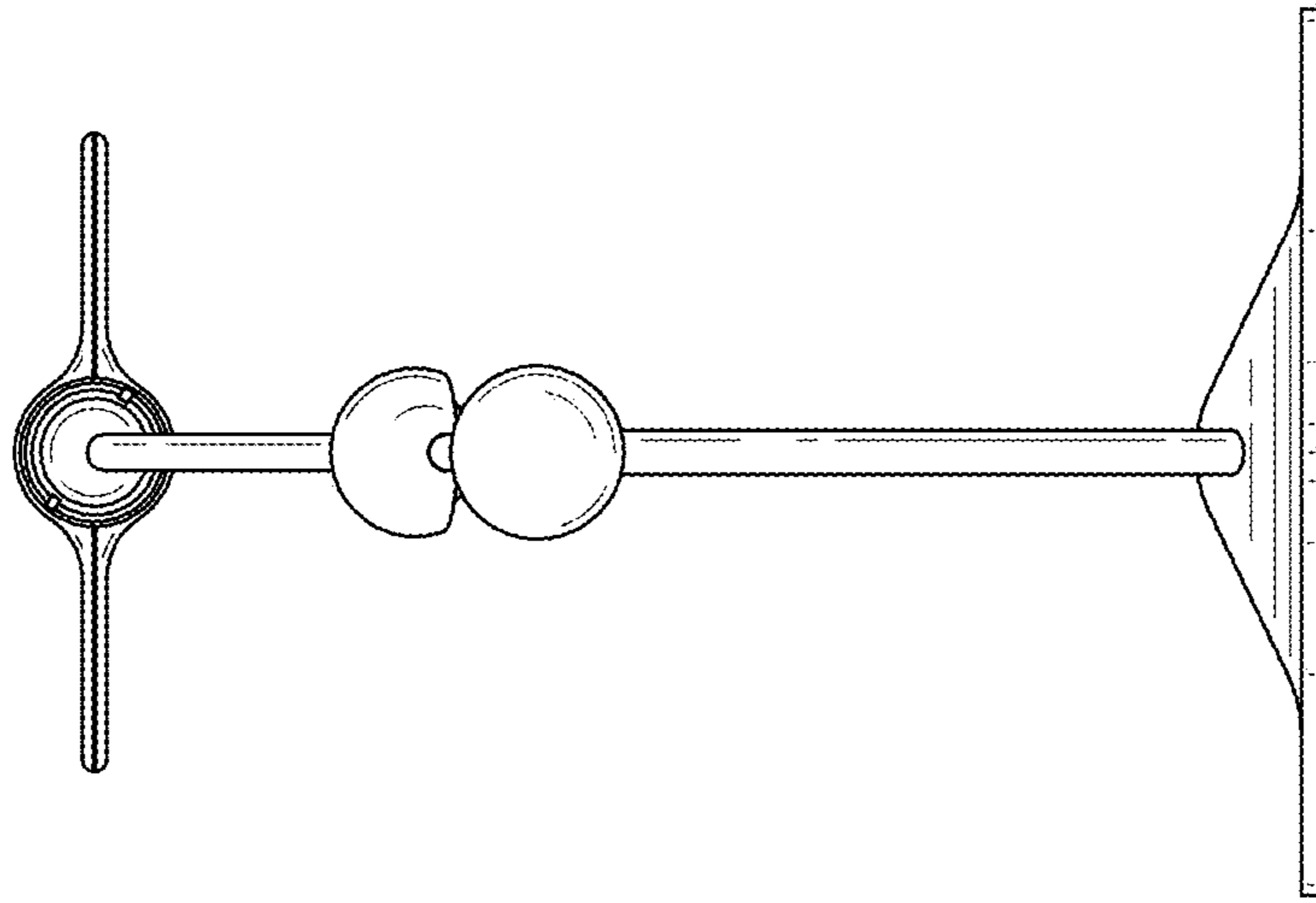


FIG. 3

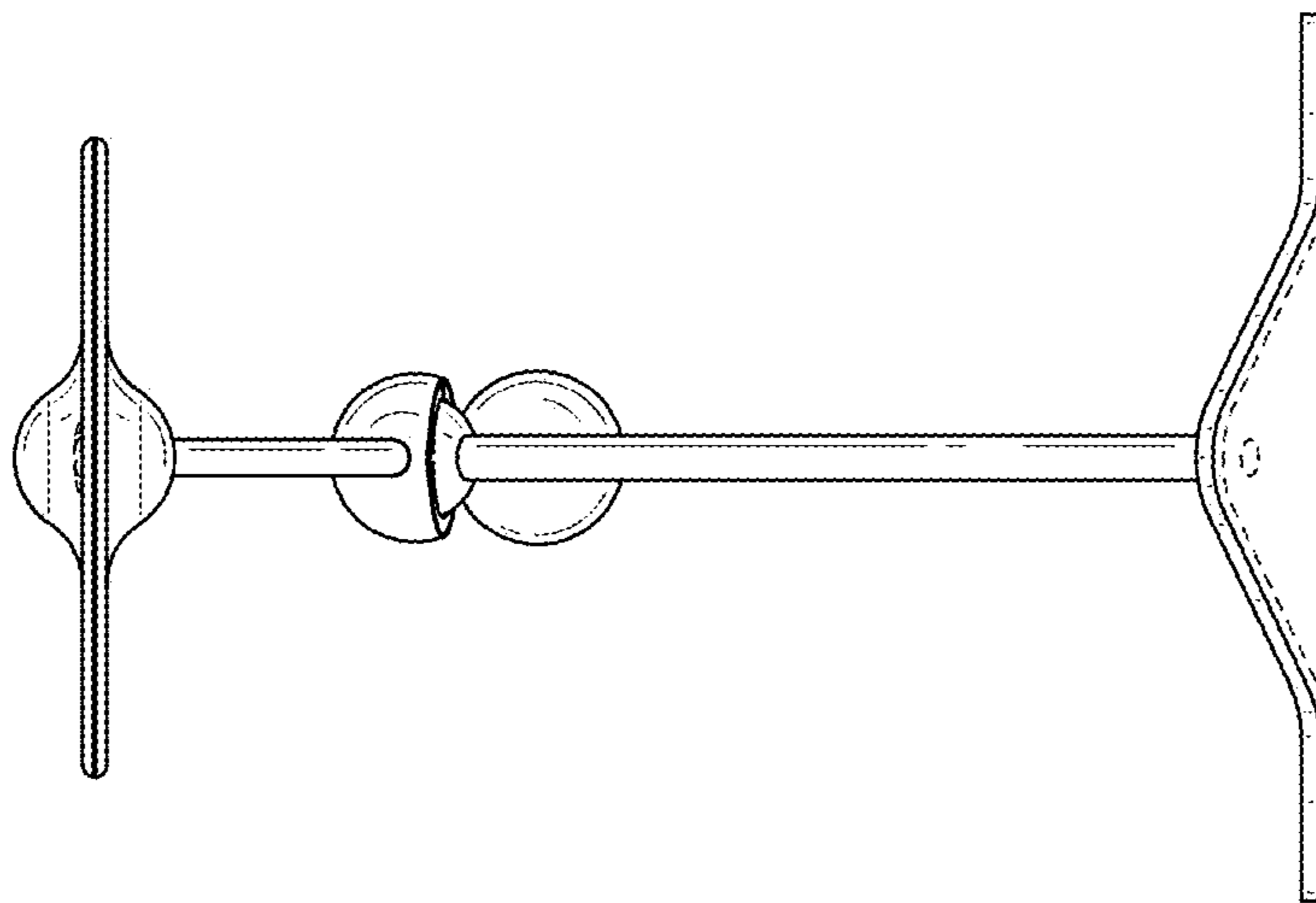


FIG. 2

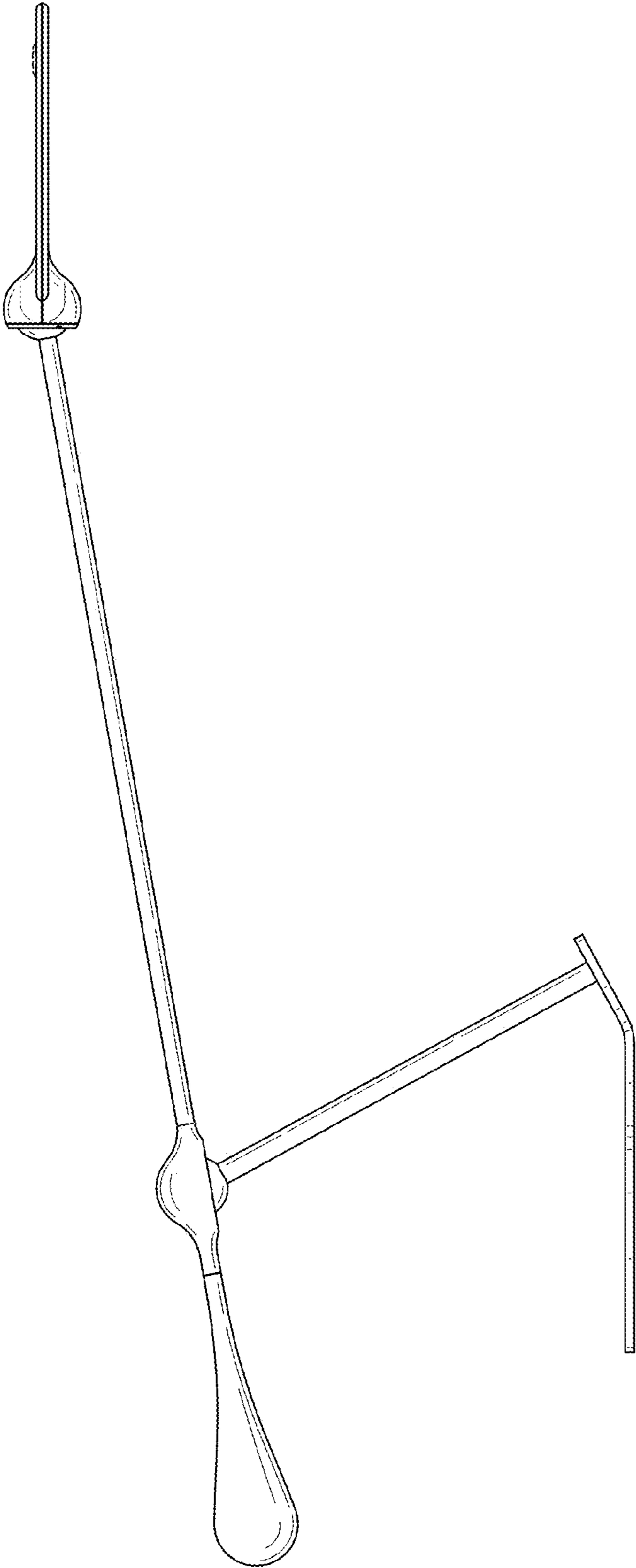


FIG. 4

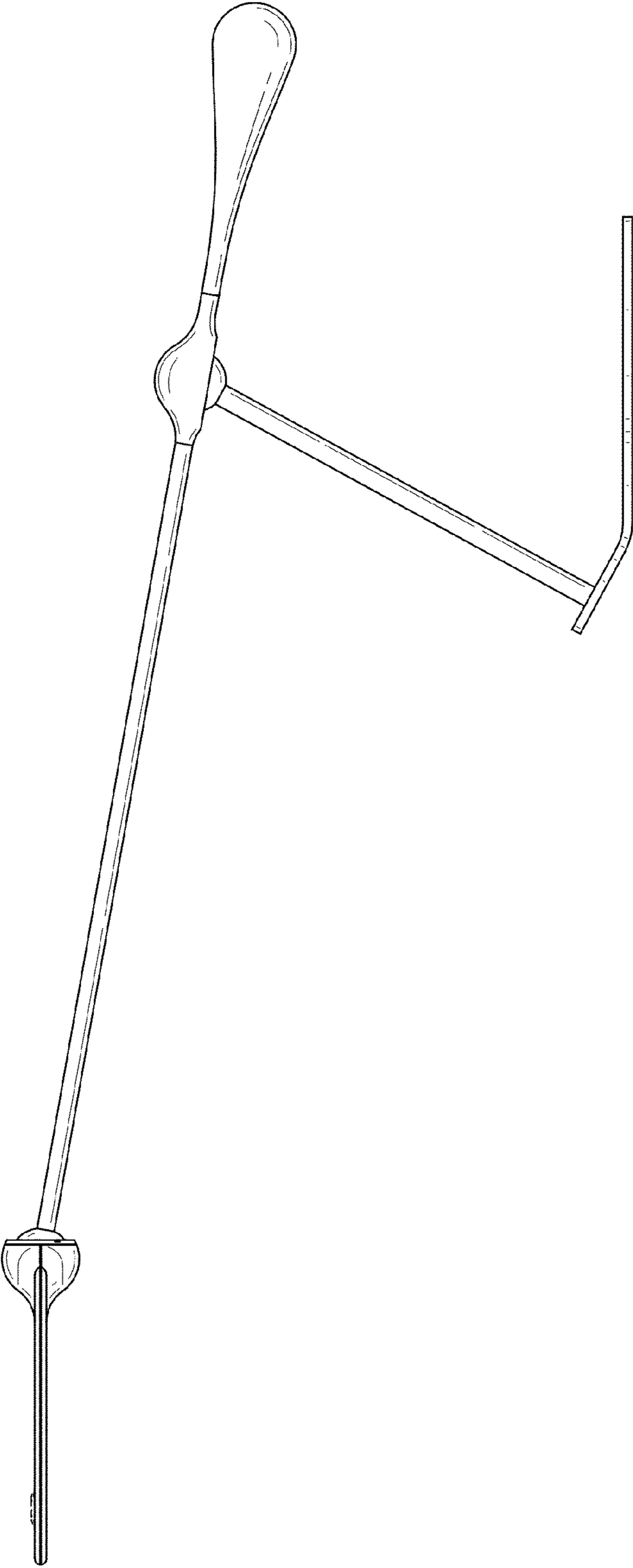


FIG. 5

