



US00D689641S

(12) **United States Design Patent**  
**Huang**

(10) **Patent No.:** **US D689,641 S**

(45) **Date of Patent:** **\*\* Sep. 10, 2013**

(54) **TABLE LAMP**

(71) Applicant: **Huangslite Industrial Co., Ltd.**, New Taipei (TW)

(72) Inventor: **Huo-Tu Huang**, New Taipei (TW)

(73) Assignee: **Huangslite Industrial Co., Ltd.**, New Taipei (TW)

(\*\*) Term: **14 Years**

(21) Appl. No.: **29/445,906**

(22) Filed: **Feb. 19, 2013**

(51) **LOC (9) Cl.** ..... **26-05**

(52) **U.S. Cl.**  
USPC ..... **D26/62**

(58) **Field of Classification Search**  
USPC ..... D26/62, 93, 106–108; 362/410–414,  
362/418, 419, 269, 275, 287, 427, 98, 99,  
362/270, 277, 360

See application file for complete search history.

(56) **References Cited**

U.S. PATENT DOCUMENTS

D205,463	S	*	8/1966	Zelenko	.....	D26/62
D217,063	S	*	3/1970	Daito	.....	D26/107
D412,594	S	*	8/1999	Benghozi	.....	D26/107
D650,512	S	*	12/2011	Hine et al.	.....	D26/93
D675,360	S	*	1/2013	Lee	.....	D26/62

\* cited by examiner

*Primary Examiner* — Susan M Lee

*Assistant Examiner* — Linda G Brooks

(57) **CLAIM**

I claim the ornamental design for a table lamp, as shown and described.

**DESCRIPTION**

FIG. 1 is a perspective view of a table lamp showing my new design;

FIG. 2 is a front elevational view thereof;

FIG. 3 is a rear elevational view thereof;

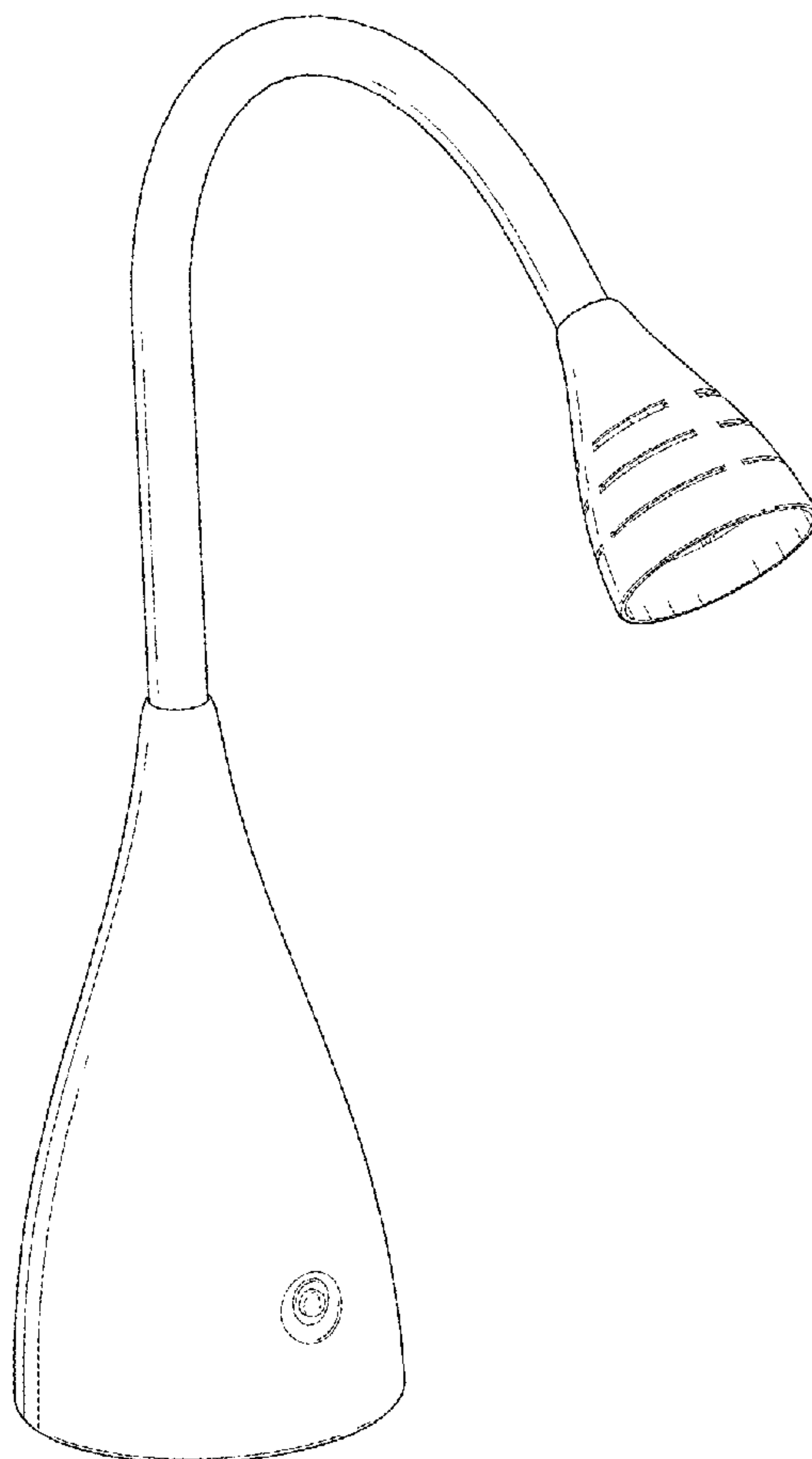
FIG. 4 is a left side elevational view thereof;

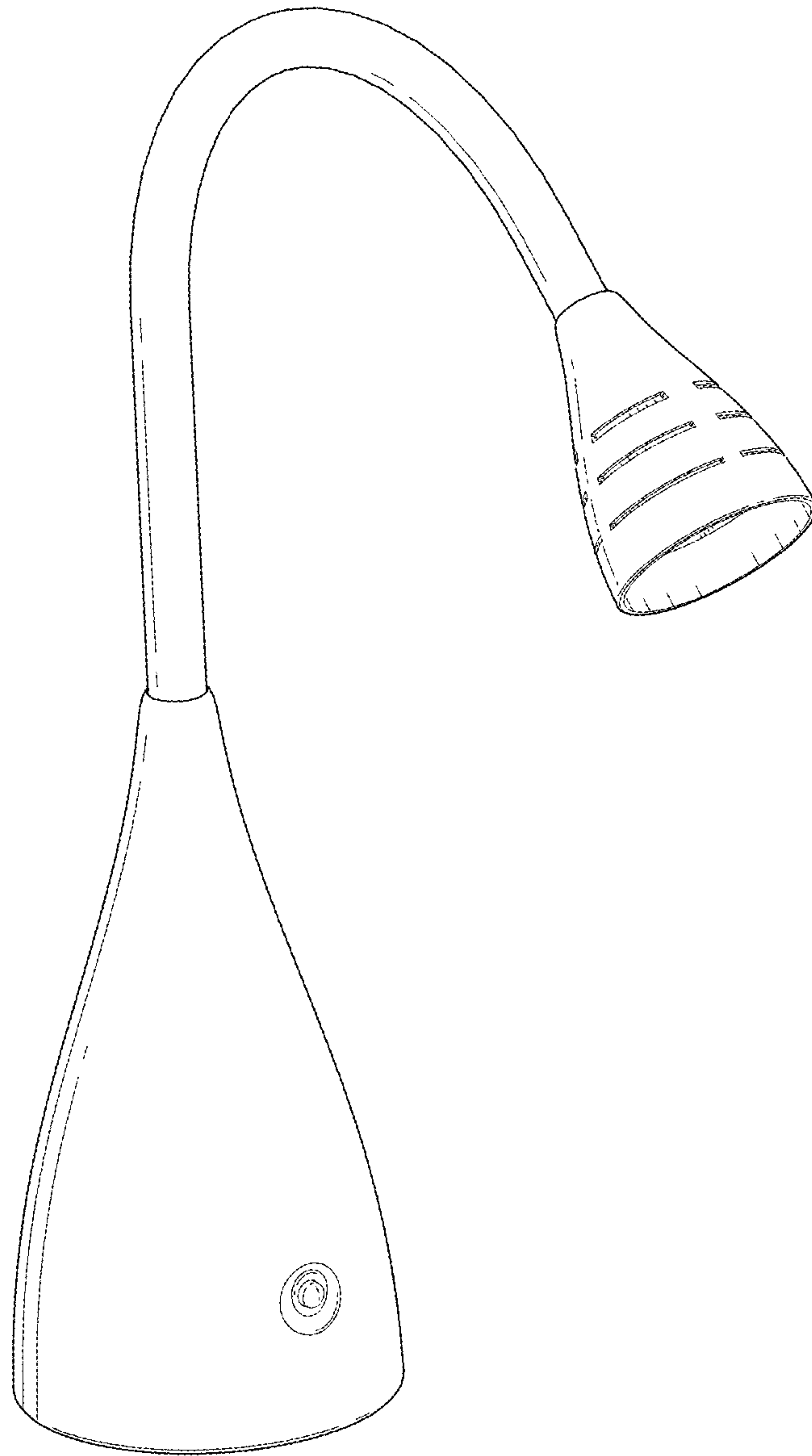
FIG. 5 is a right side elevational view thereof;

FIG. 6 is a top plan view thereof; and,

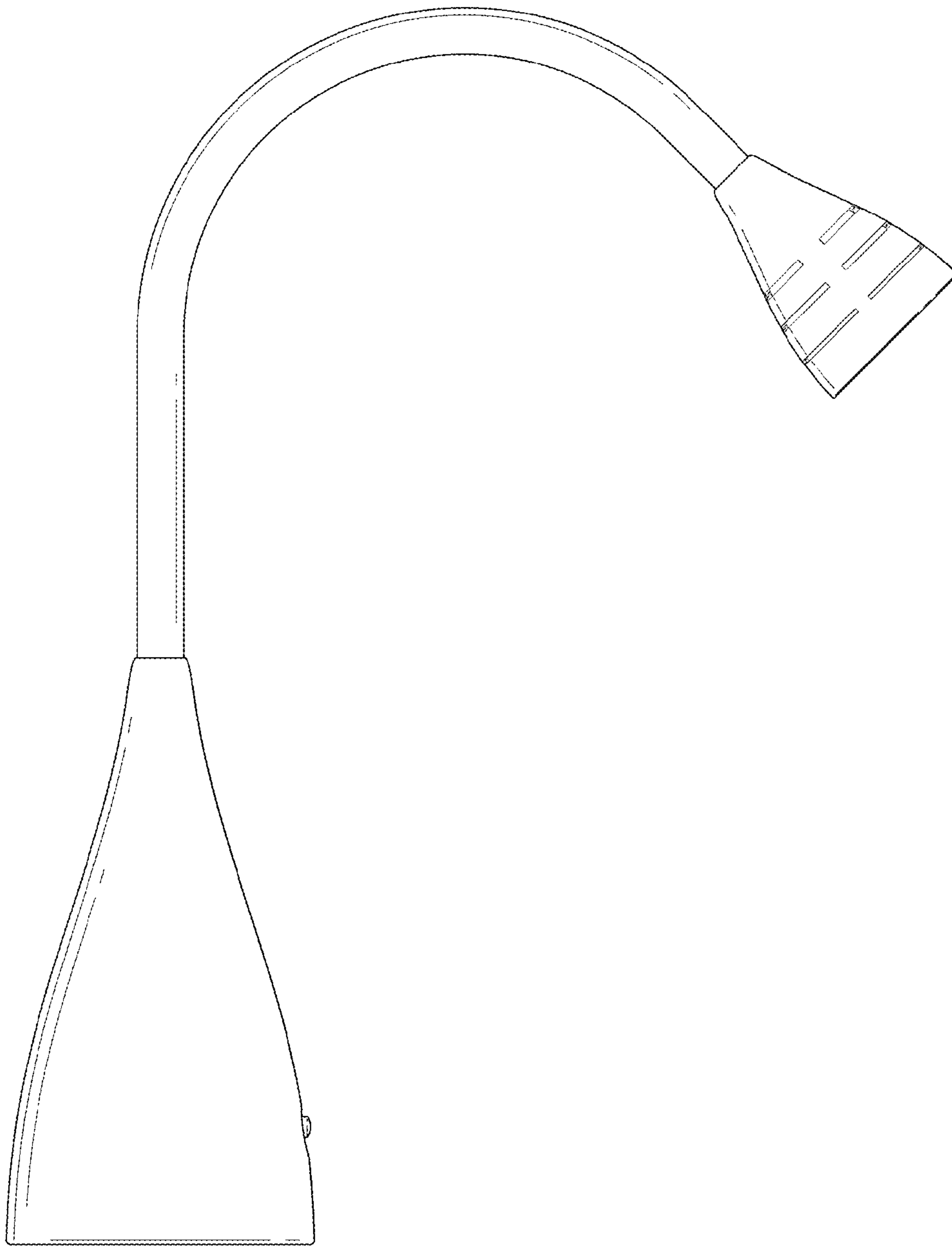
FIG. 7 is a bottom plan view thereof.

**1 Claim, 6 Drawing Sheets**

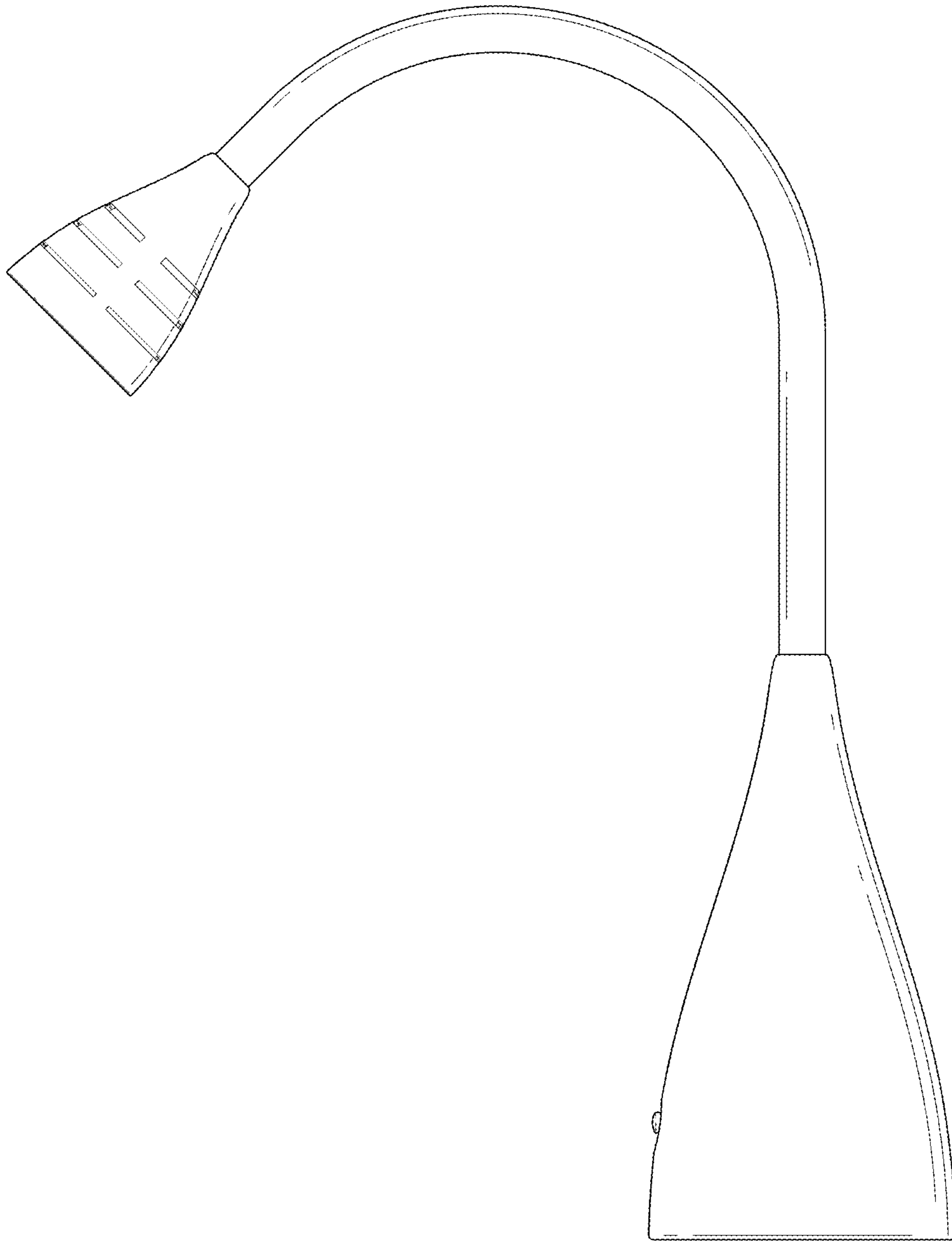




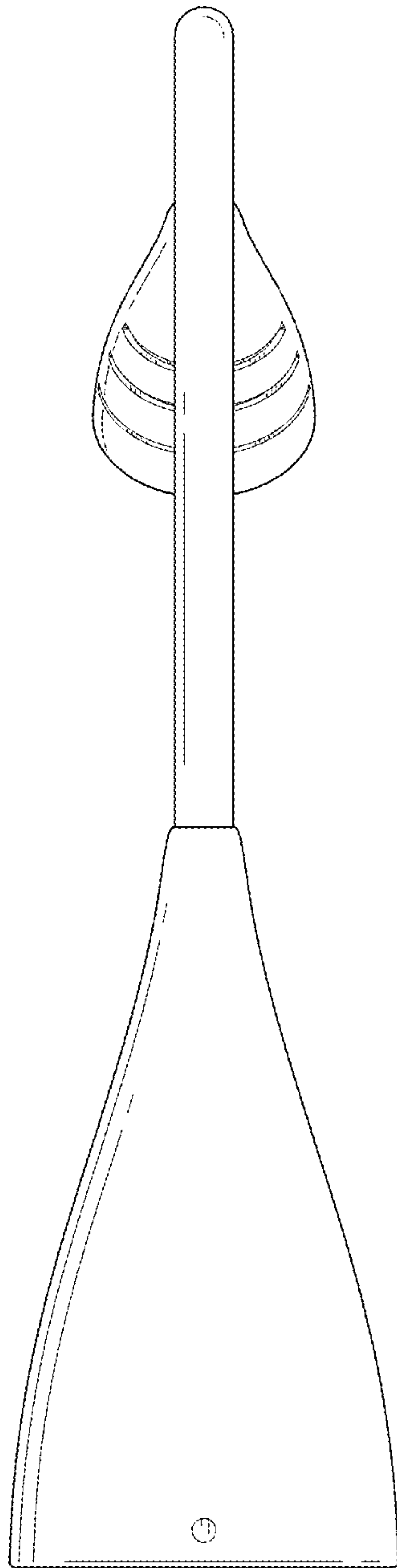
**FIG. 1**



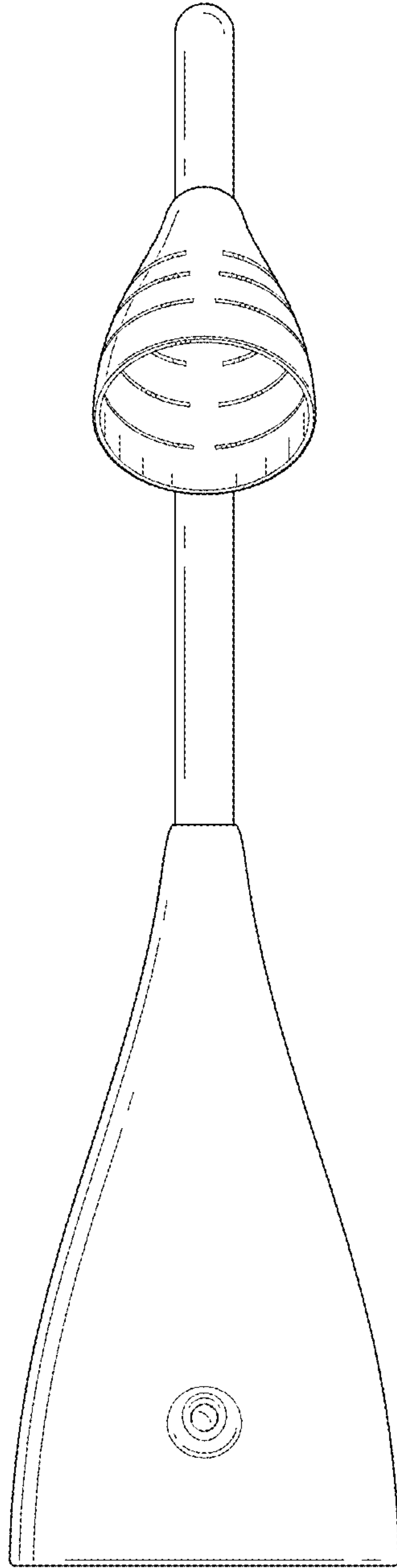
**FIG.2**



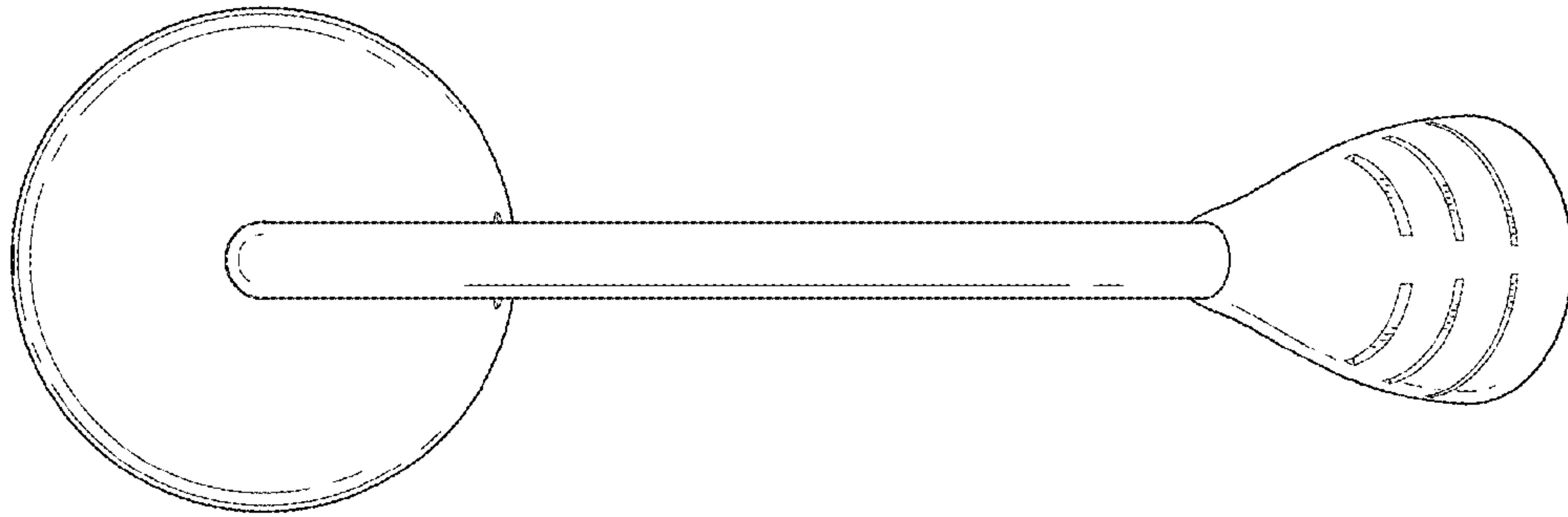
**FIG.3**



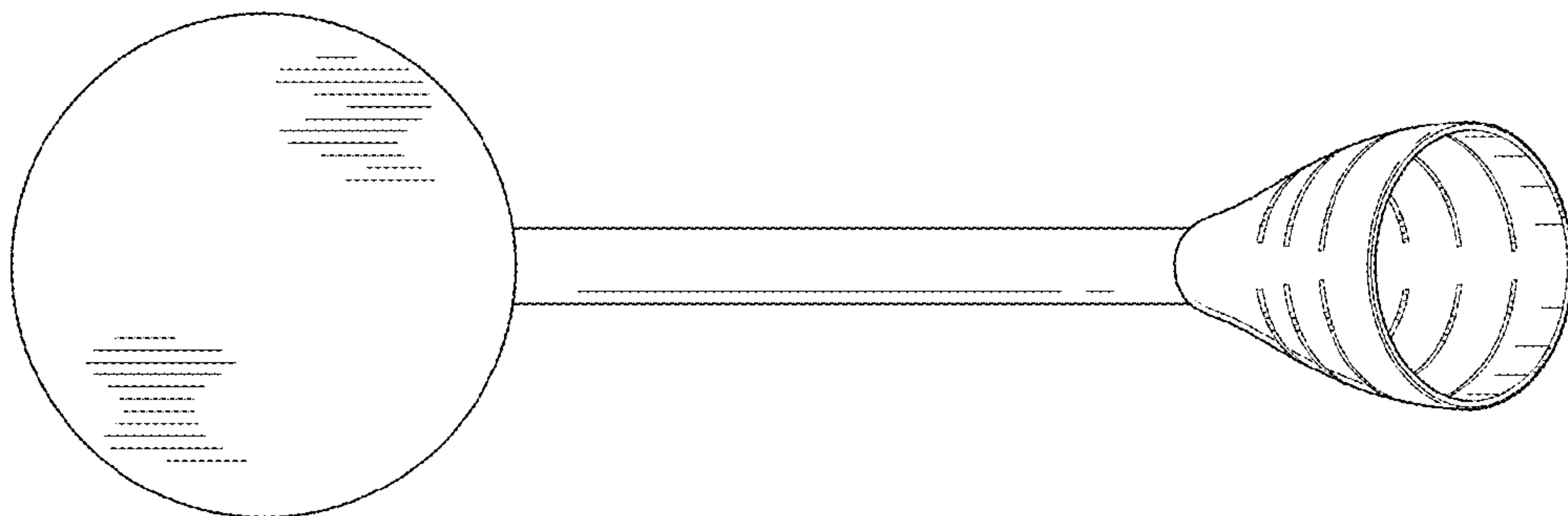
**FIG. 4**



**FIG.5**



**FIG. 6**



**FIG. 7**