



US00D689640S

(12) **United States Design Patent**
Leen

(10) **Patent No.:** **US D689,640 S**

(45) **Date of Patent:** **** *Sep. 10, 2013**

(54) **HAND-HELD WORK LIGHT**

(75) Inventor: **Monte A. Leen**, Bellevue, WA (US)

(73) Assignee: **Coleman Cable, Inc.**, Waukegan, IL (US)

(*) Notice: This patent is subject to a terminal disclaimer.

(**) Term: **14 Years**

(21) Appl. No.: **29/383,636**

(22) Filed: **Jan. 20, 2011**

(51) **LOC (9) Cl.** **26-02**

(52) **U.S. Cl.**
USPC **D26/44**

(58) **Field of Classification Search**
USPC D26/37, 40, 42, 45; 362/157, 158,
362/183, 184, 185, 186, 196, 208
See application file for complete search history.

(56) **References Cited**

U.S. PATENT DOCUMENTS

D367,123	S	*	2/1996	Blye	D26/42
D389,931	S	*	1/1998	Kovacik et al.	D26/37
5,921,658	A	*	7/1999	Kovacik et al.	362/199
6,123,434	A	*	9/2000	Meltzer	362/260
D439,354	S	*	3/2001	Yuen	D26/42
D441,888	S	*	5/2001	Haneda et al.	D26/42
D501,687	S	*	2/2005	Kovacik et al.	D26/42

D501,688	S	*	2/2005	Kovacik et al.	D26/42
D504,968	S	*	5/2005	Bayat et al.	D26/42
6,976,771	B1	*	12/2005	Galvez	362/399
6,979,100	B2	*	12/2005	Reiff et al.	362/184
D515,721	S	*	2/2006	Lin	D26/44
D523,577	S	*	6/2006	Bayat et al.	D26/42
D538,457	S	*	3/2007	Kovacik et al.	D26/42
D540,484	S	*	4/2007	Bayat et al.	D26/42
D545,469	S	*	6/2007	Wikle et al.	D26/42
D567,977	S	*	4/2008	Jianwei	D26/42
7,370,989	B2	*	5/2008	Bayat et al.	362/186
D620,627	S	*	7/2010	Kovacik et al.	D26/42
D626,673	S	*	11/2010	Kovacik et al.	D26/42

* cited by examiner

Primary Examiner — Ian Simmons

Assistant Examiner — Carissa C Fitts

(74) *Attorney, Agent, or Firm* — Patzik, Frank & Samotny Ltd.

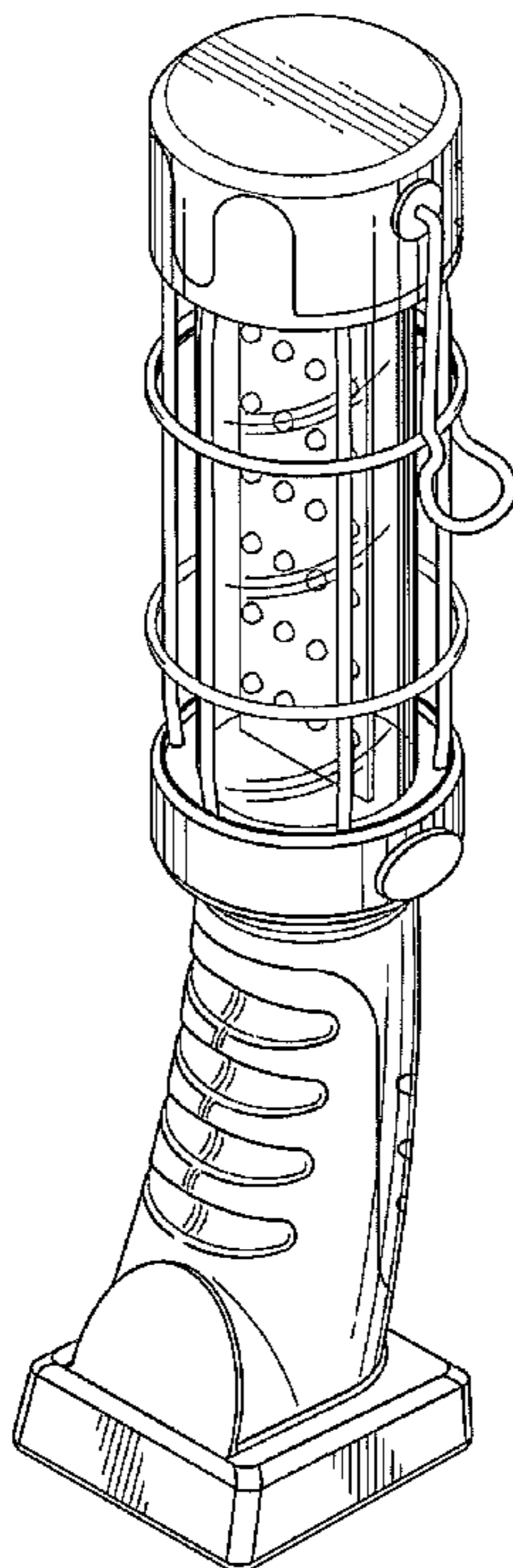
(57) **CLAIM**

The ornamental design for a hand-held work light, as shown and described.

DESCRIPTION

FIG. 1 is a perspective view of the hand-held work light.
FIG. 2 is a right side elevational view of the invention.
FIG. 3 is a left side elevational view of the invention.
FIG. 4 is a front elevational view of the invention.
FIG. 5 is a rear elevational view of the invention.
FIG. 6 is a top plan view of the invention; and,
FIG. 7 is a bottom plan view of the invention.

1 Claim, 3 Drawing Sheets



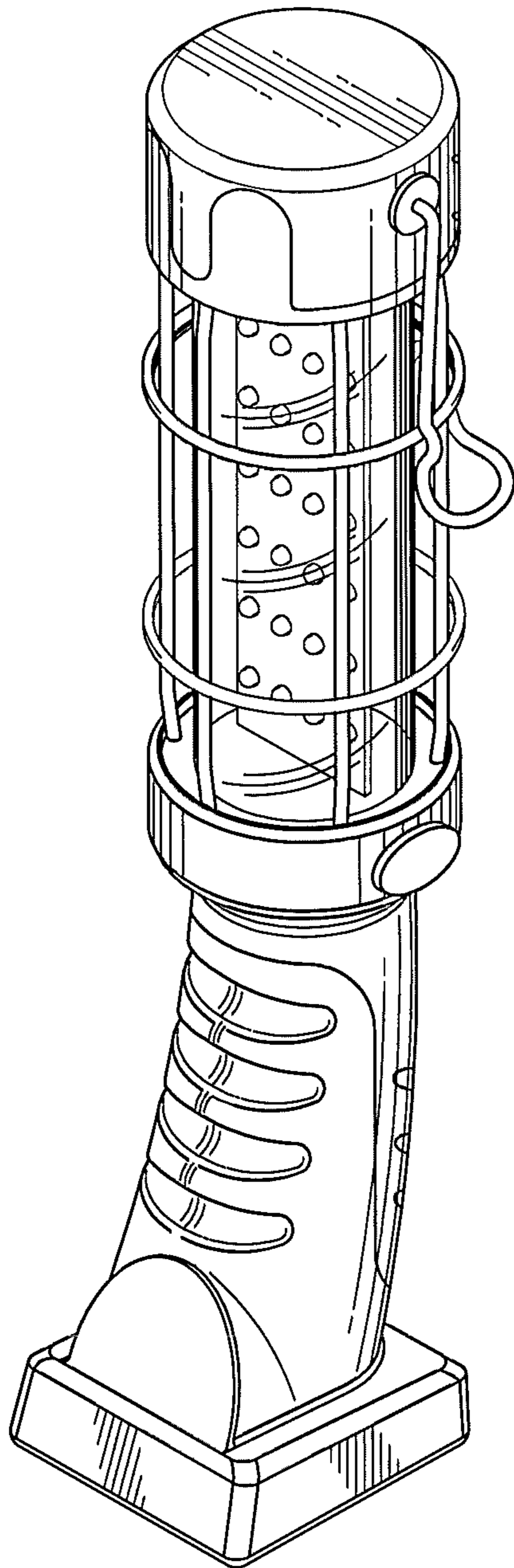


Fig. 1

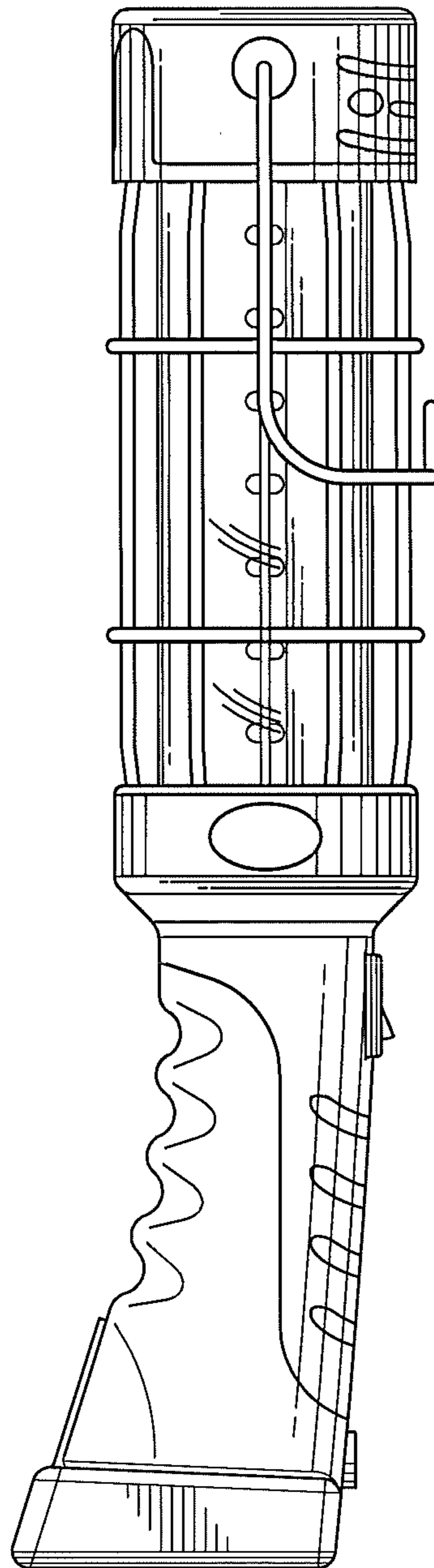


Fig. 2

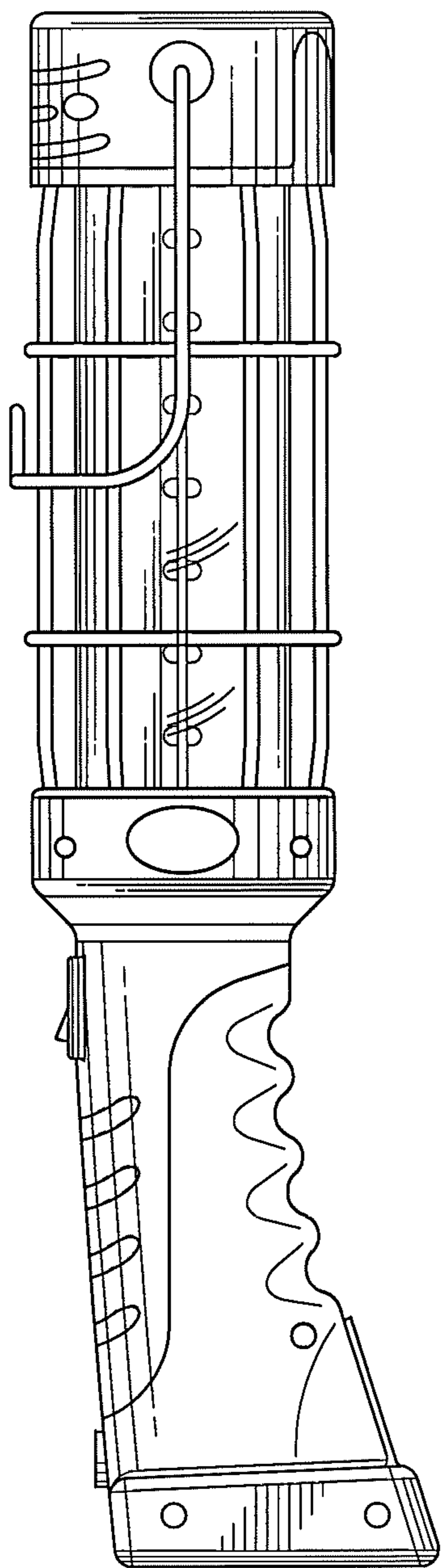


Fig. 3

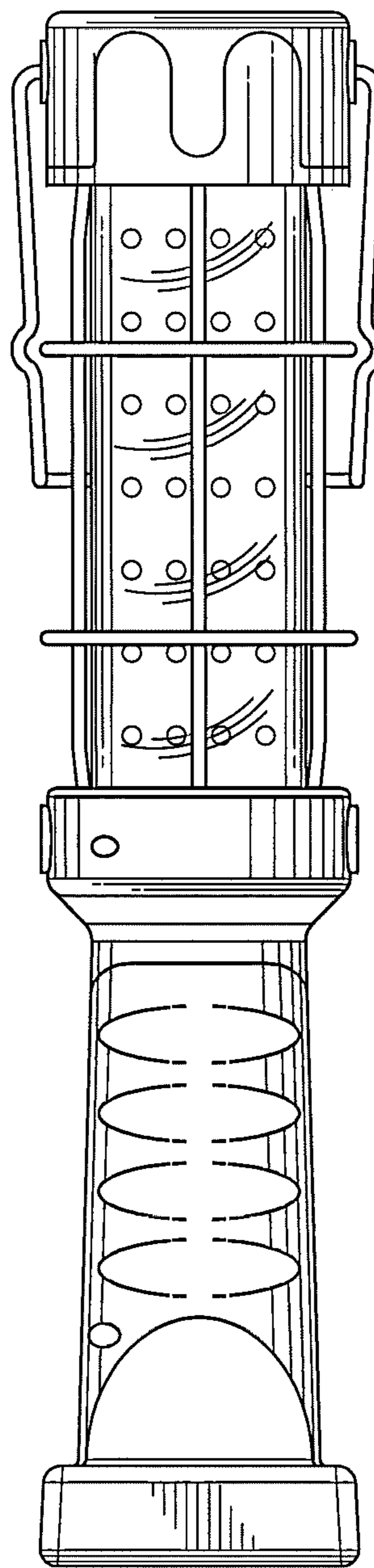


Fig. 4

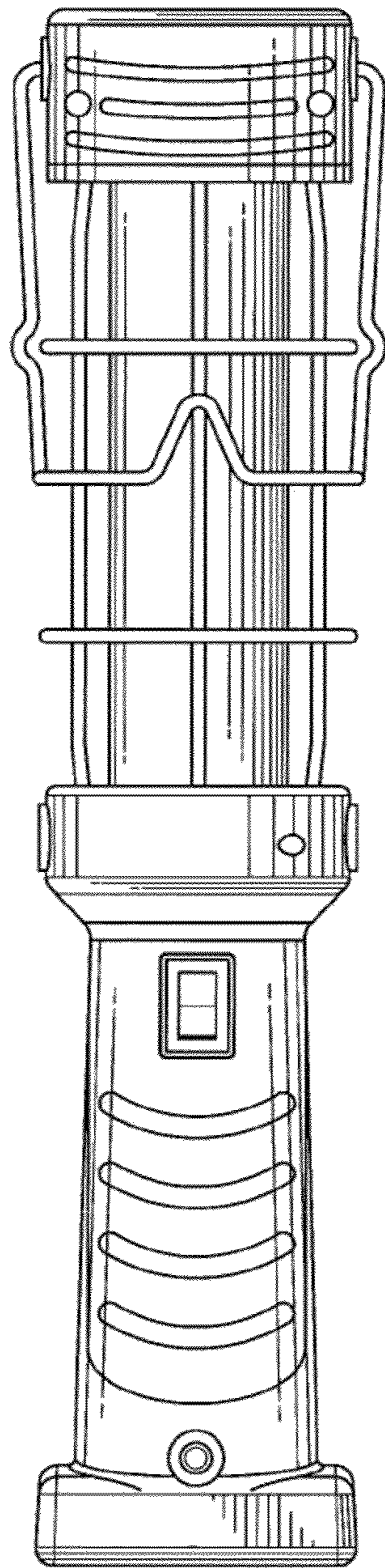


Fig. 5

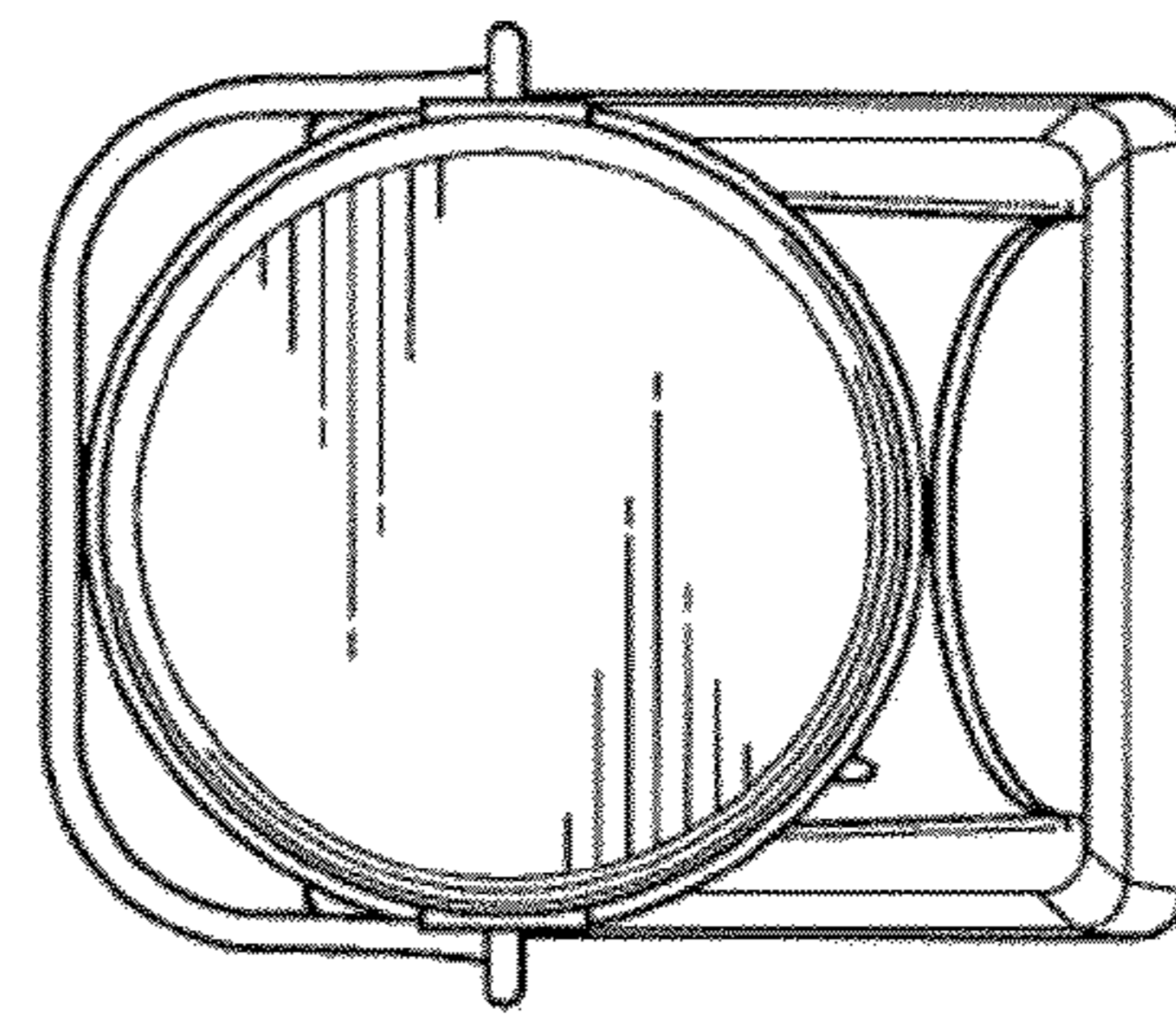


Fig. 6

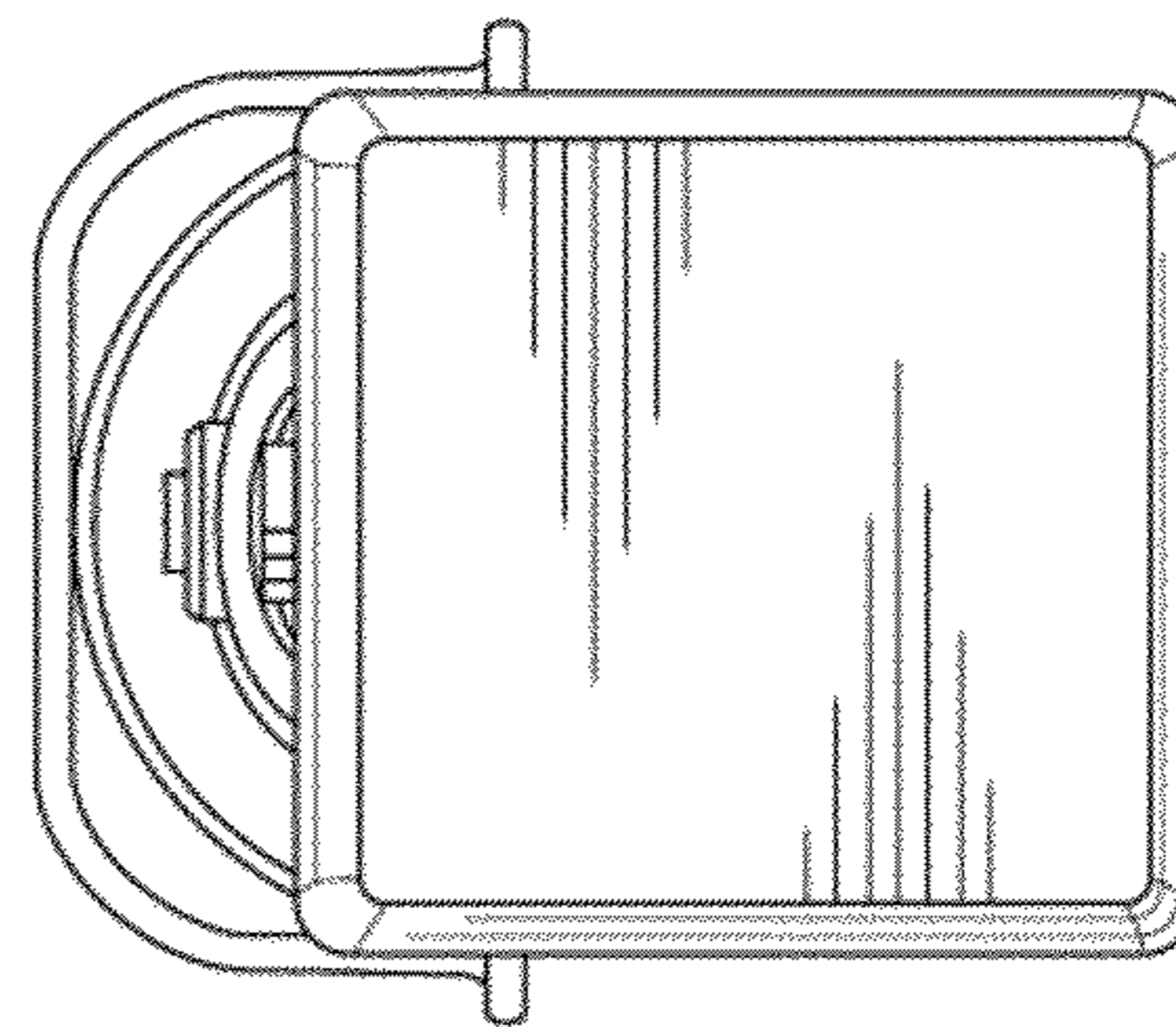


Fig. 7