



US00D689639S

(12) **United States Design Patent**
Chung

(10) **Patent No.:** **US D689,639 S**

(45) **Date of Patent:** **** Sep. 10, 2013**

(54) **CAMP LAMP**

(76) Inventor: **Kiosky Chung**, Taichung (TW)

(**) Term: **14 Years**

(21) Appl. No.: **29/341,388**

(22) Filed: **Aug. 4, 2009**

(51) **LOC (9) Cl.** **26-02**

(52) **U.S. Cl.**
USPC **D26/40**

(58) **Field of Classification Search**
USPC D26/37, 40, 41, 42; 362/157, 158,
362/171-182, 186, 202-208
See application file for complete search history.

(56) **References Cited**

U.S. PATENT DOCUMENTS

D190,674 S *	6/1961	Hoenisch et al.	D26/41
D229,218 S *	11/1973	Curtis et al.	D26/41
3,941,554 A *	3/1976	Curtis	431/89
D474,553 S *	5/2003	Poon	D26/40
D485,928 S *	1/2004	Leung et al.	D26/40
D503,006 S *	3/2005	May et al.	D26/40
D545,984 S *	7/2007	Leung et al.	D26/40
D589,187 S *	3/2009	Kung	D26/41
D604,436 S *	11/2009	Poon	D26/40

OTHER PUBLICATIONS

Century Double Mantle Propane Lantern,[online], [site visited Jun. 21, 2011]. Available from Internet, <URL: www.cabelas.com>, 2 pages.*

Coleman 2-mantle perfectflow propane lantern,[online], [site visited Jun. 21, 2011]. Available from Internet, <URL: www.coleman.com>, 2 pages.*

* cited by examiner

Primary Examiner — Ian Simmons

Assistant Examiner — Carissa C Fitts

(57) **CLAIM**

I claim the ornamental design for a camp lamp, as shown and described.

DESCRIPTION

FIG. 1 is a perspective view of a camp lamp, showing my new design;

FIG. 2 is a front elevational view thereof;

FIG. 3 is a rear elevational view thereof;

FIG. 4 is a left side elevational view thereof;

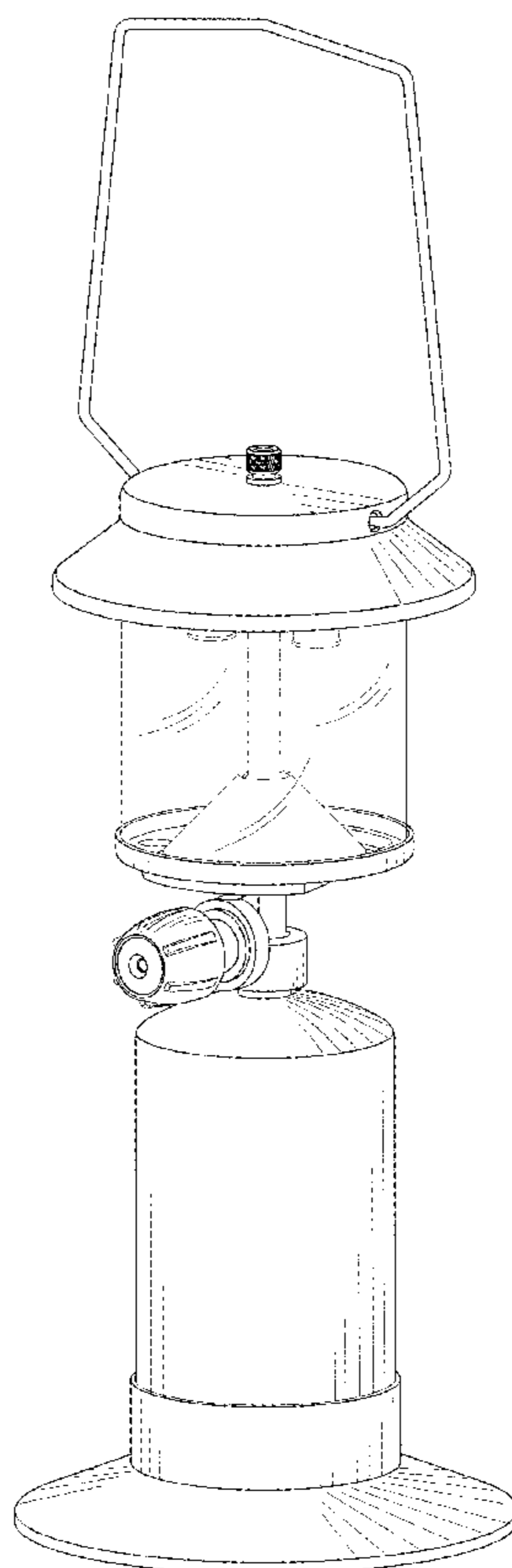
FIG. 5 is a right side elevational view thereof;

FIG. 6 is a top plan view thereof; and,

FIG. 7 is a bottom plan view thereof.

The broken line showing is for environmental purposes only and forms not part of the claimed design.

1 Claim, 7 Drawing Sheets



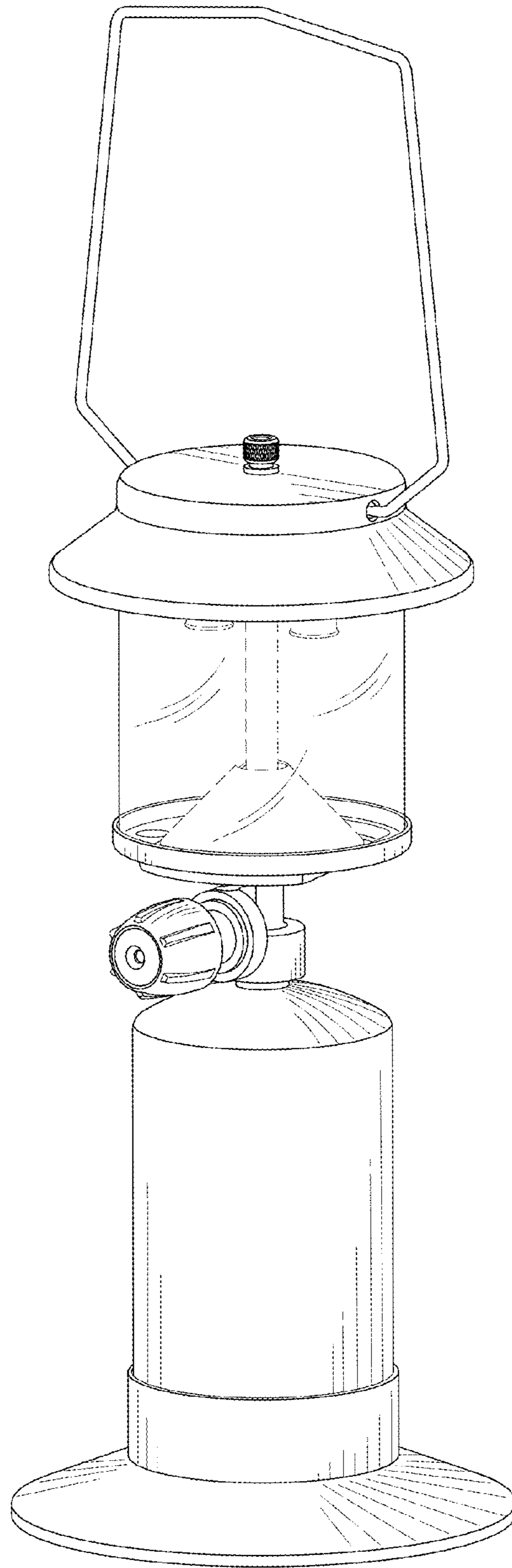


FIG. 1

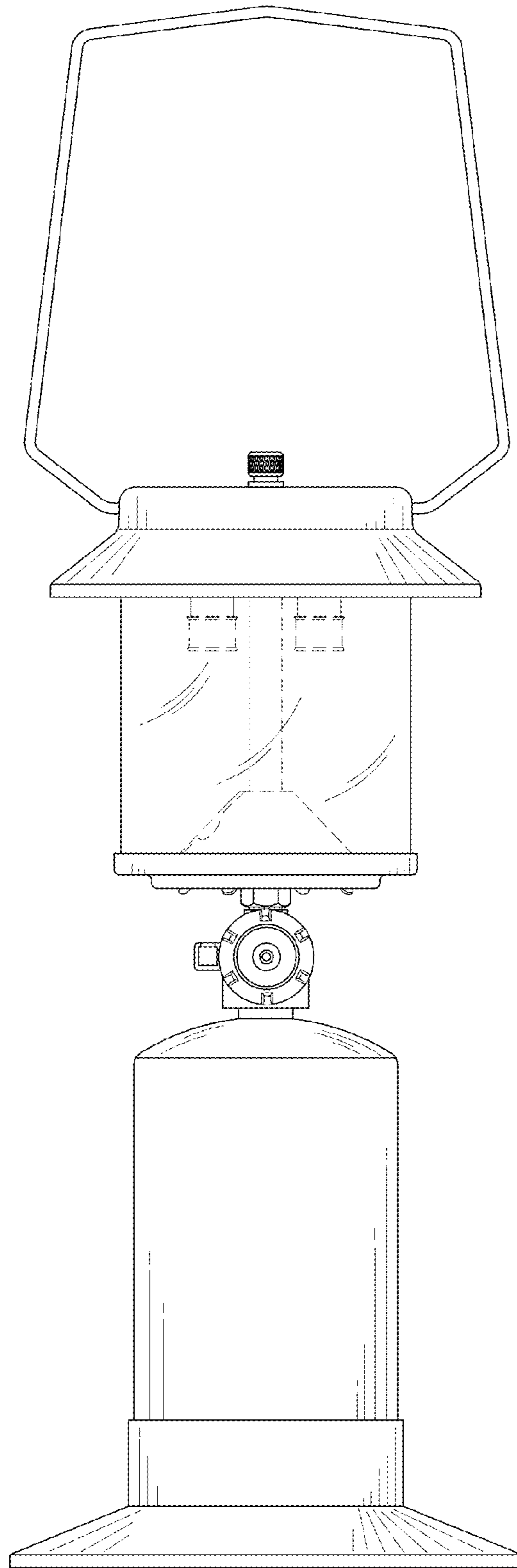


FIG. 2

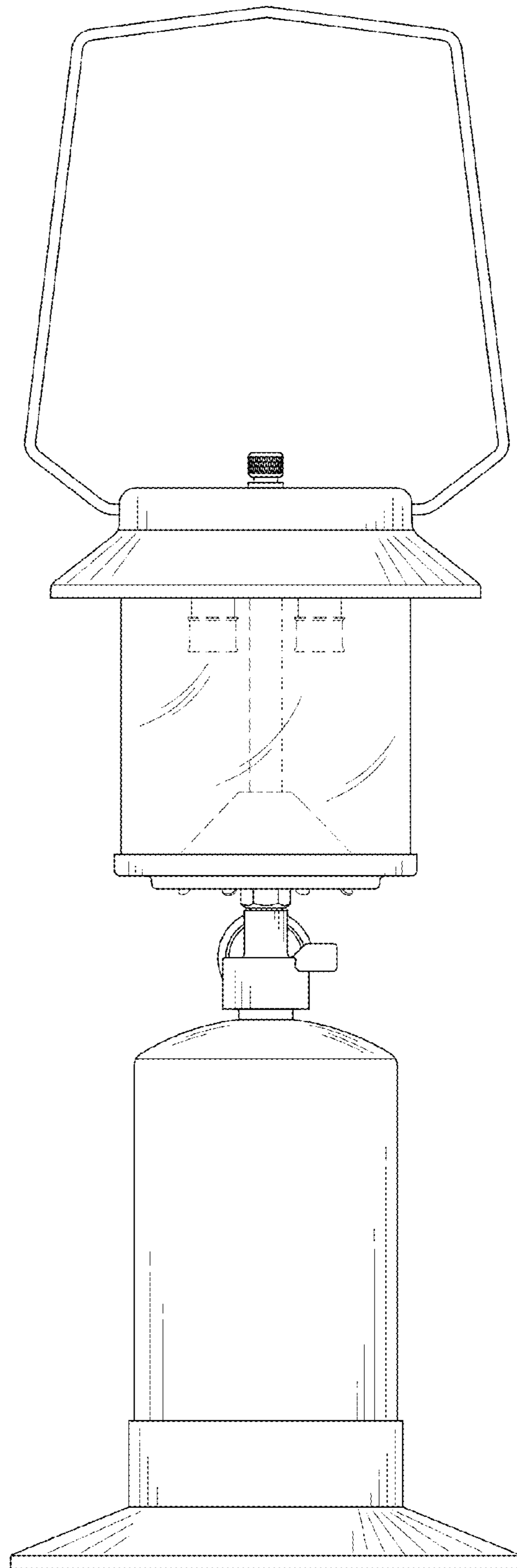


FIG. 3

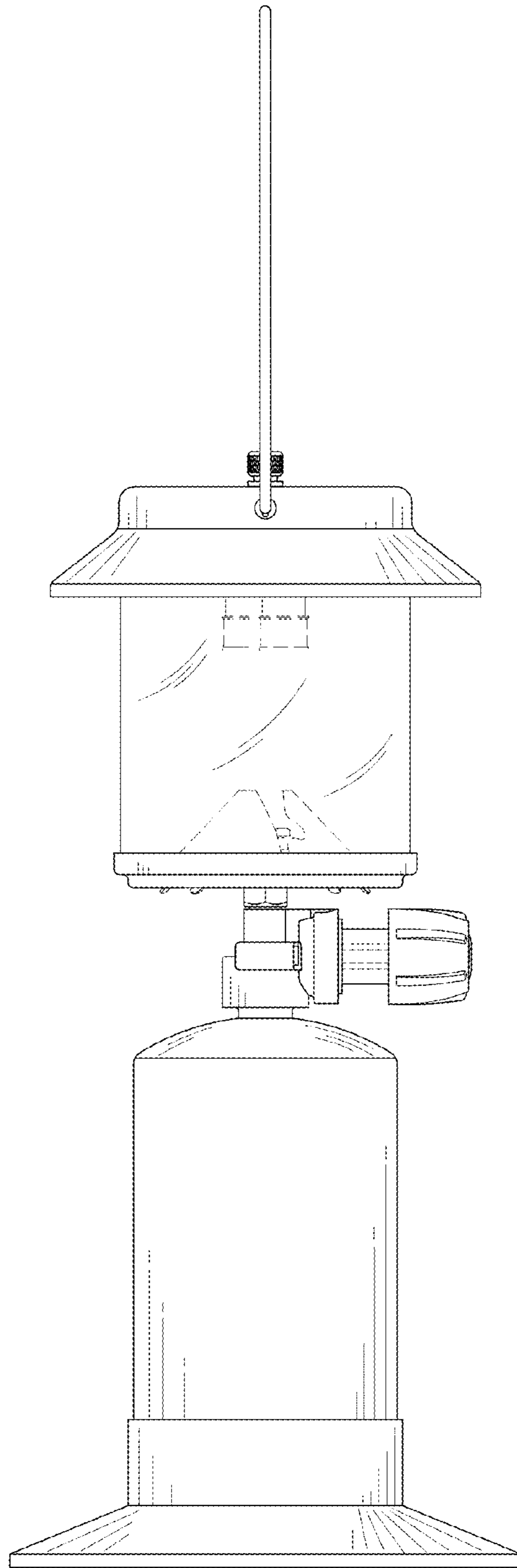


FIG. 4

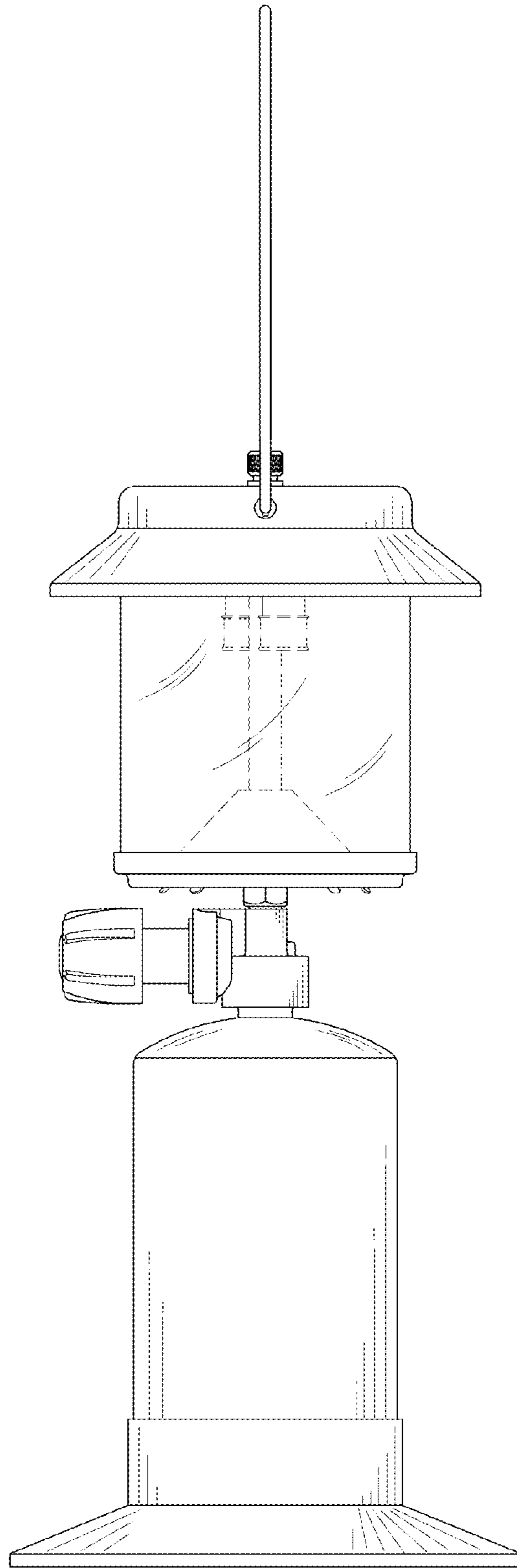


FIG. 5

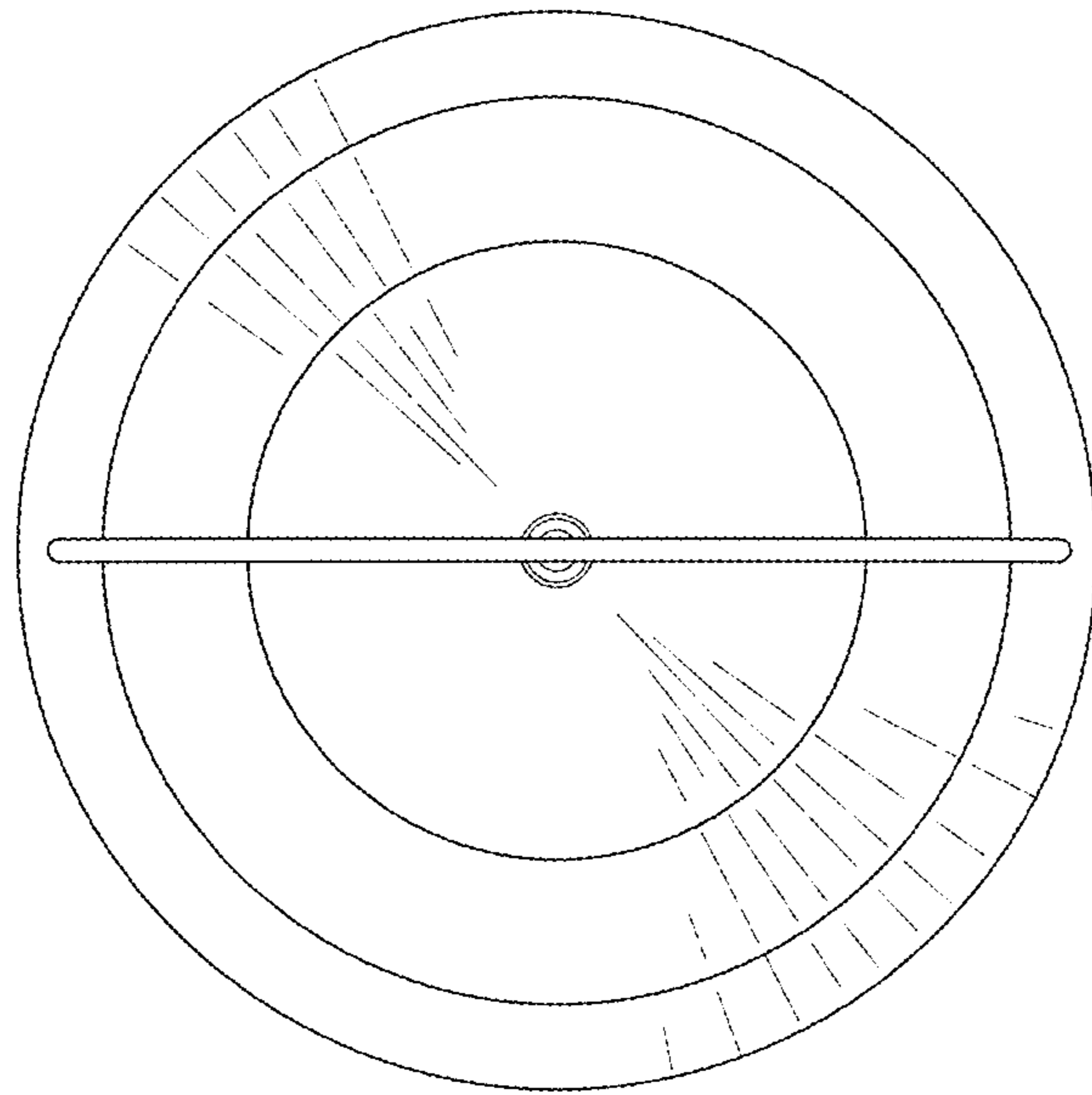


FIG. 6

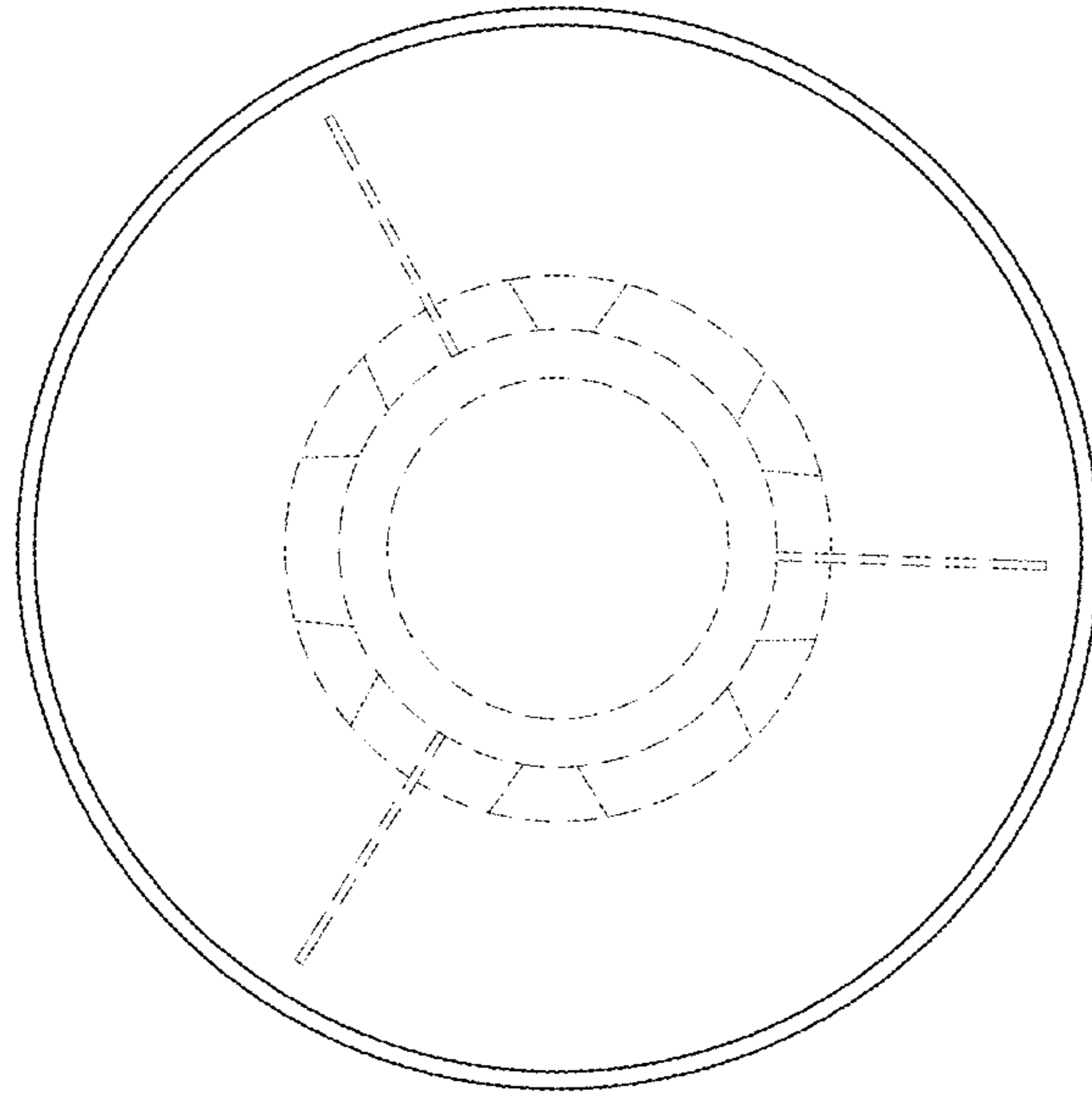


FIG. 7