



US00D689630S

(12) **United States Design Patent**
McGuire et al.

(10) **Patent No.:** **US D689,630 S**

(45) **Date of Patent:** **** Sep. 10, 2013**

(54) **LED BULB**

(75) Inventors: **Kenneth Stephen McGuire**, Cincinnati, OH (US); **Corey Michael Bischoff**, Cincinnati, OH (US); **Mark John Steinhardt**, Cincinnati, OH (US); **Benjamin James Beck**, Boston, MA (US); **Douglas A. Marsden**, Marblehead, MA (US); **Christopher James Page**, Cambridge, MA (US)

8,013,501	B2	9/2011	Carroll et al.	
D646,808	S *	10/2011	Shi	D26/2
D647,640	S	10/2011	Parker et al.	
D647,647	S	10/2011	Parker et al.	
D666,340	S *	8/2012	Sakamoto et al.	D26/2
D670,410	S	11/2012	Van De Ven et al.	
2008/0170398	A1	7/2008	Kim	
2008/0232116	A1	9/2008	Kim	
2010/0201284	A1	8/2010	Kraus	
2011/0116266	A1	5/2011	Kim	
2011/0163683	A1	7/2011	Steele et al.	

(73) Assignee: **The Procter & Gamble Company**, Cincinnati, OH (US)

(**) Term: **14 Years**

(21) Appl. No.: **29/390,527**

(22) Filed: **Apr. 26, 2011**

(51) **LOC (9) Cl.** **26-04**

(52) **U.S. Cl.**
USPC **D26/2**

(58) **Field of Classification Search**
USPC D26/1-4; 313/313, 315, 316, 317, 313/318, 493; 315/52, 53, 56, 57, 58
See application file for complete search history.

(56) **References Cited**

U.S. PATENT DOCUMENTS

D448,096	S *	9/2001	Choi	D26/3
D501,264	S	1/2005	To et al.	
7,086,756	B2	8/2006	Maxik	
D535,038	S	1/2007	Egawa et al.	
D539,447	S *	3/2007	Leung	D26/3
D553,267	S	10/2007	Yuen	
D582,577	S	12/2008	Yuen	
D613,432	S	4/2010	Chen et al.	
D625,439	S *	10/2010	Lai et al.	D26/2
D631,567	S *	1/2011	Lodhie	D26/2
D641,919	S	7/2011	Parker et al.	
D642,325	S	7/2011	Parker et al.	
D645,170	S	9/2011	Parker et al.	

OTHER PUBLICATIONS

U.S. Appl. No. 29/390,535, filed Apr. 26, 2011, McGuire, et al.

* cited by examiner

Primary Examiner — Marcus Jackson

(74) *Attorney, Agent, or Firm* — John T. Dipre; David V. Upite

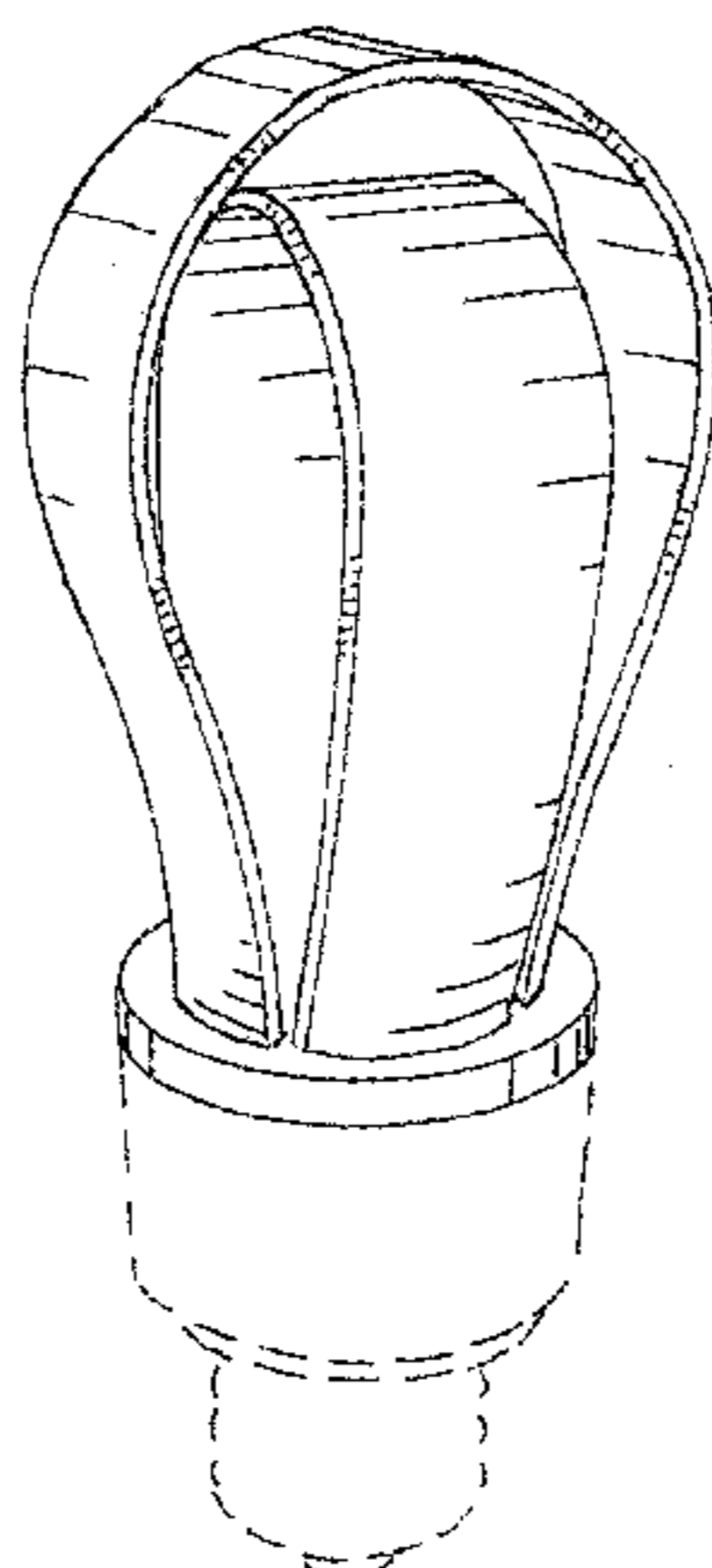
(57) **CLAIM**

The ornamental design for a LED bulb, as shown and described.

DESCRIPTION

FIG. 1 is a perspective view of a first embodiment of a lighting apparatus;
 FIG. 2 is a front view of thereof, the rear view being a mirror image of the front view;
 FIG. 3 is a side view thereof, the opposite side view being a mirror image of the side view;
 FIG. 4 is a top view thereof;
 FIG. 5 is a perspective view of a second embodiment of the lighting apparatus;
 FIG. 6 is a front view thereof, the rear view being a mirror image of the front view;
 FIG. 7 is a side view thereof, the opposite side view being a mirror image of the side view; and,
 FIG. 8 is a top view thereof.

1 Claim, 4 Drawing Sheets



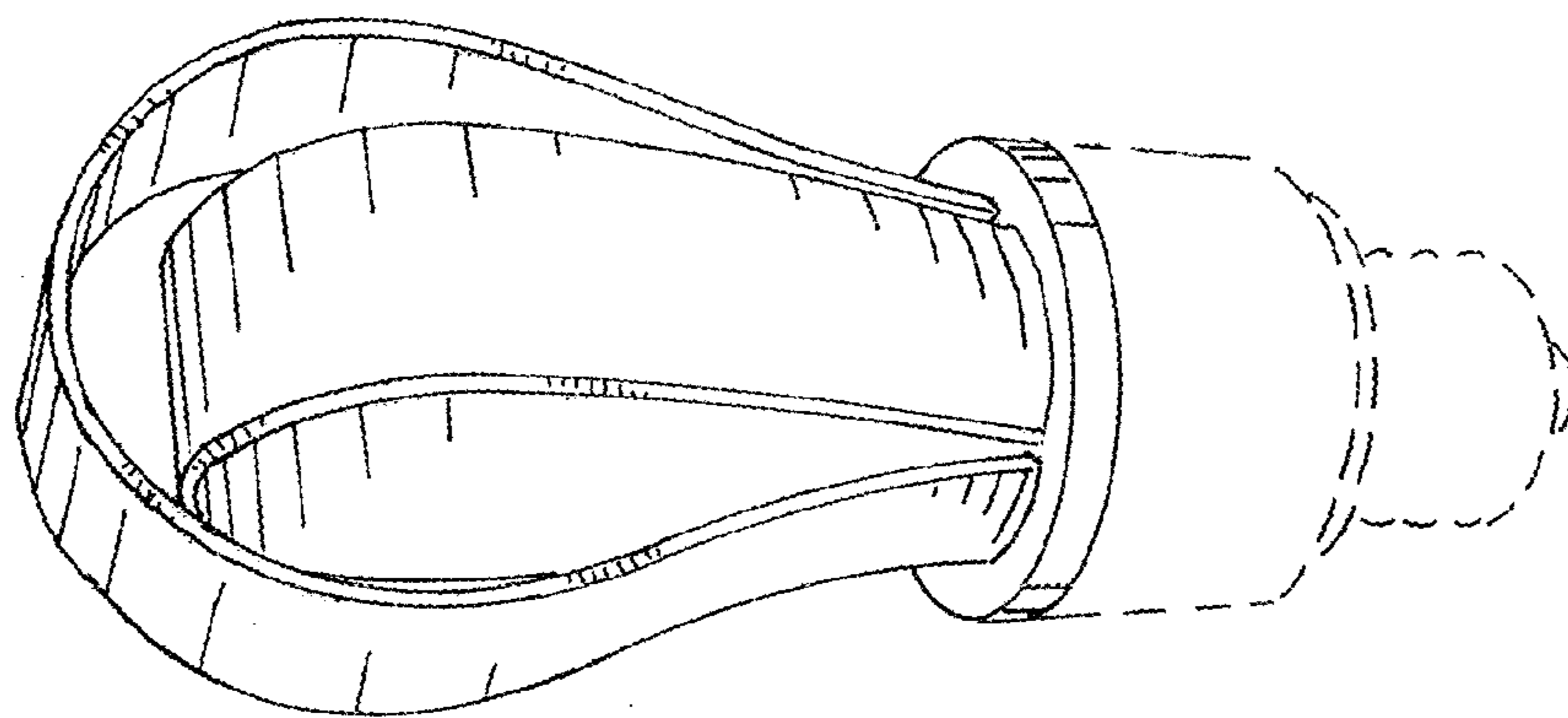


FIG. 1

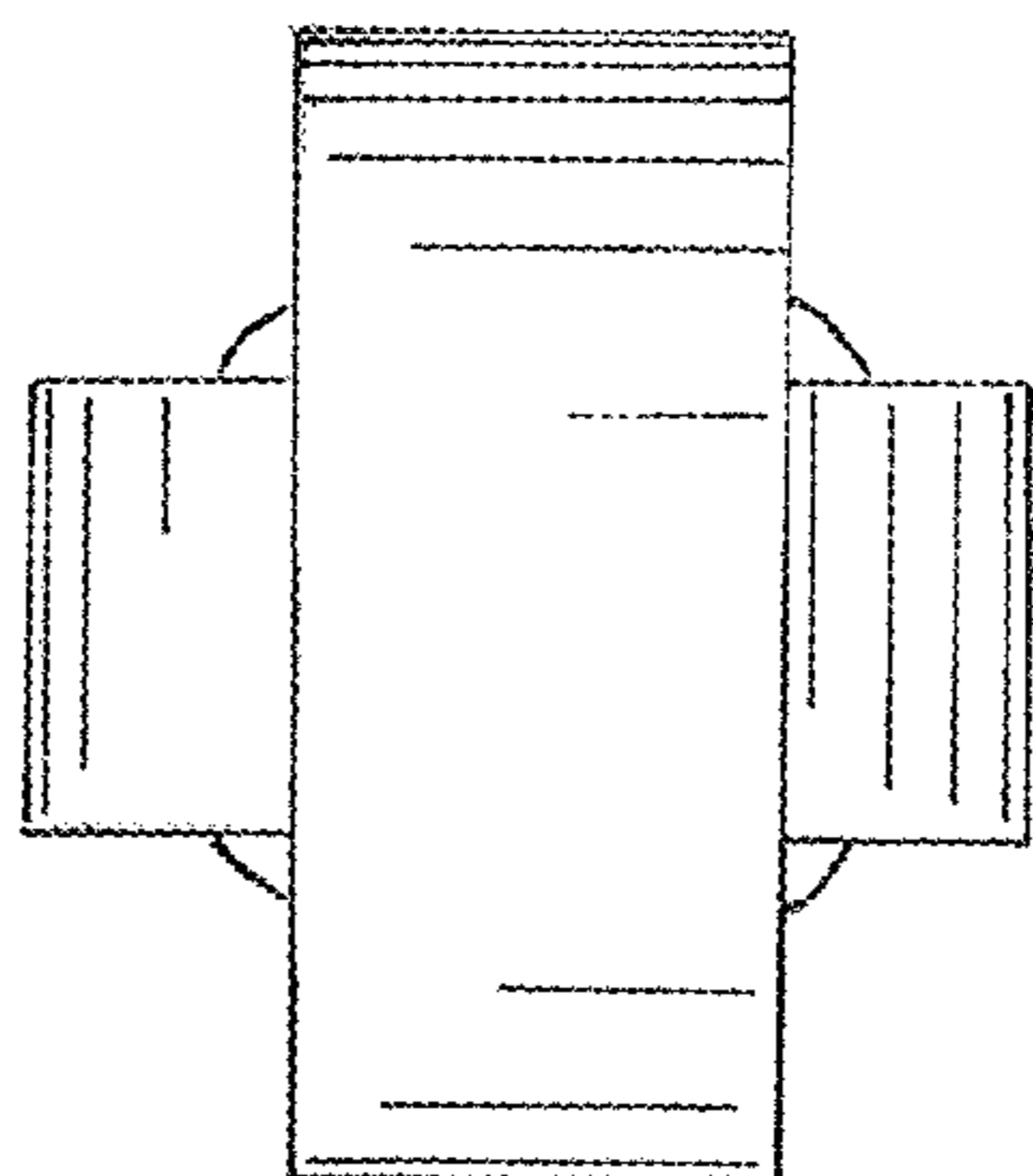


FIG. 4

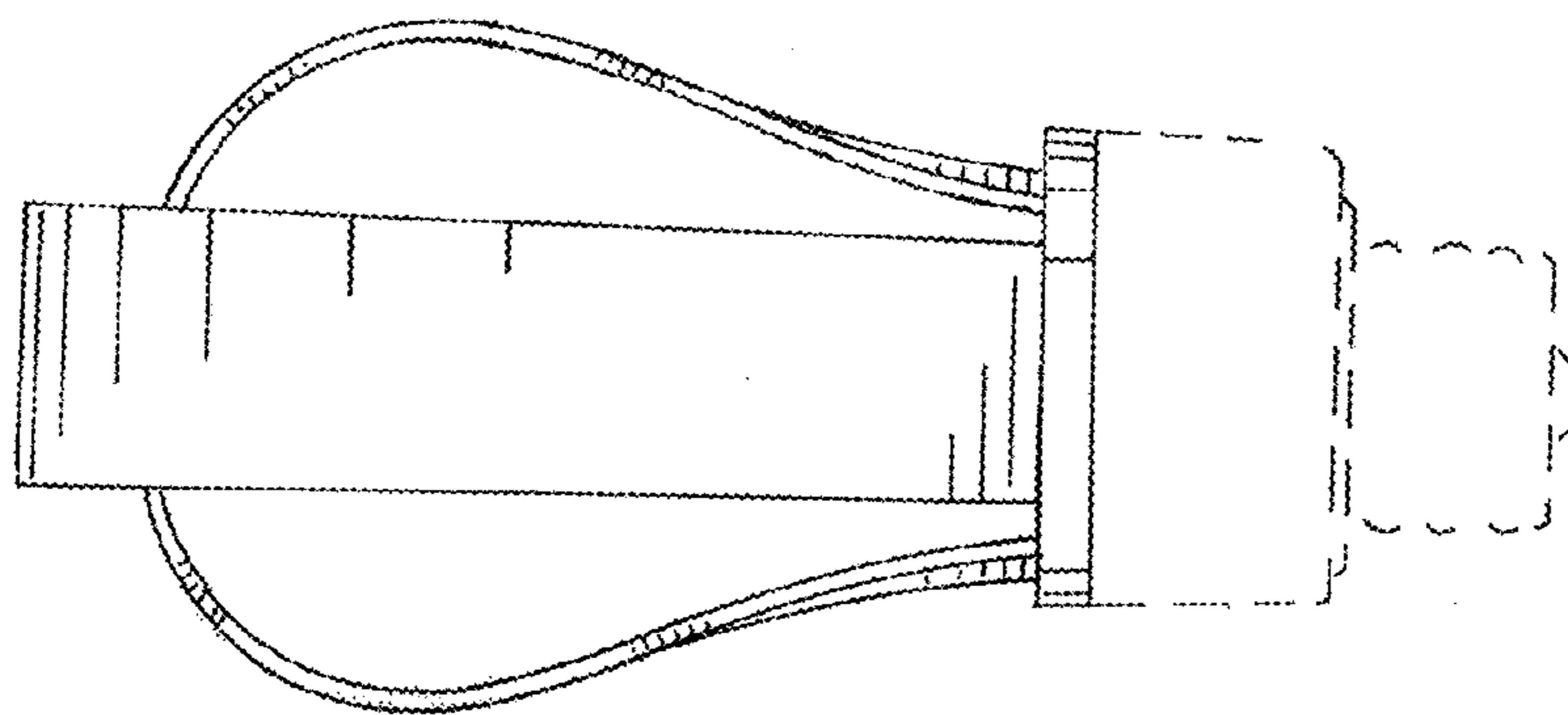


FIG. 2

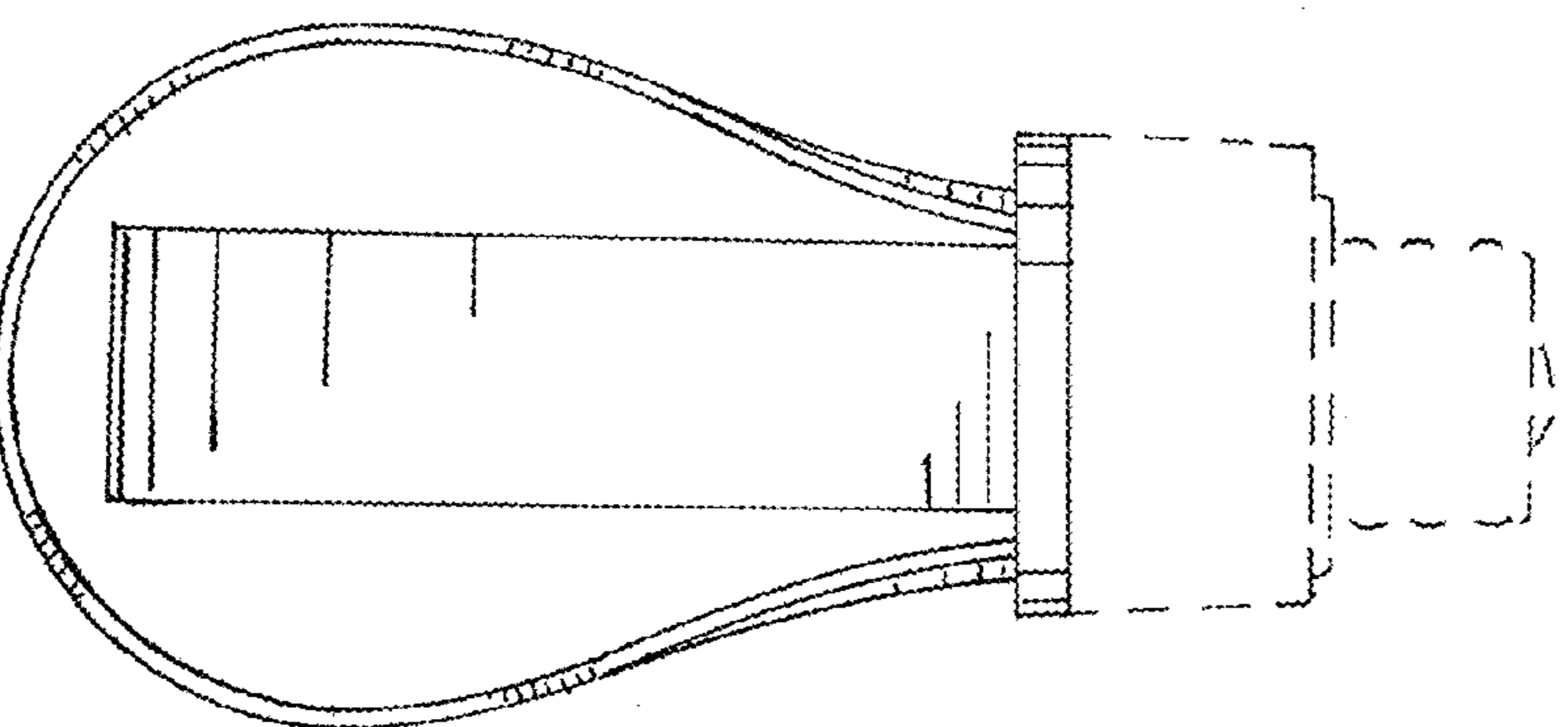


FIG. 3

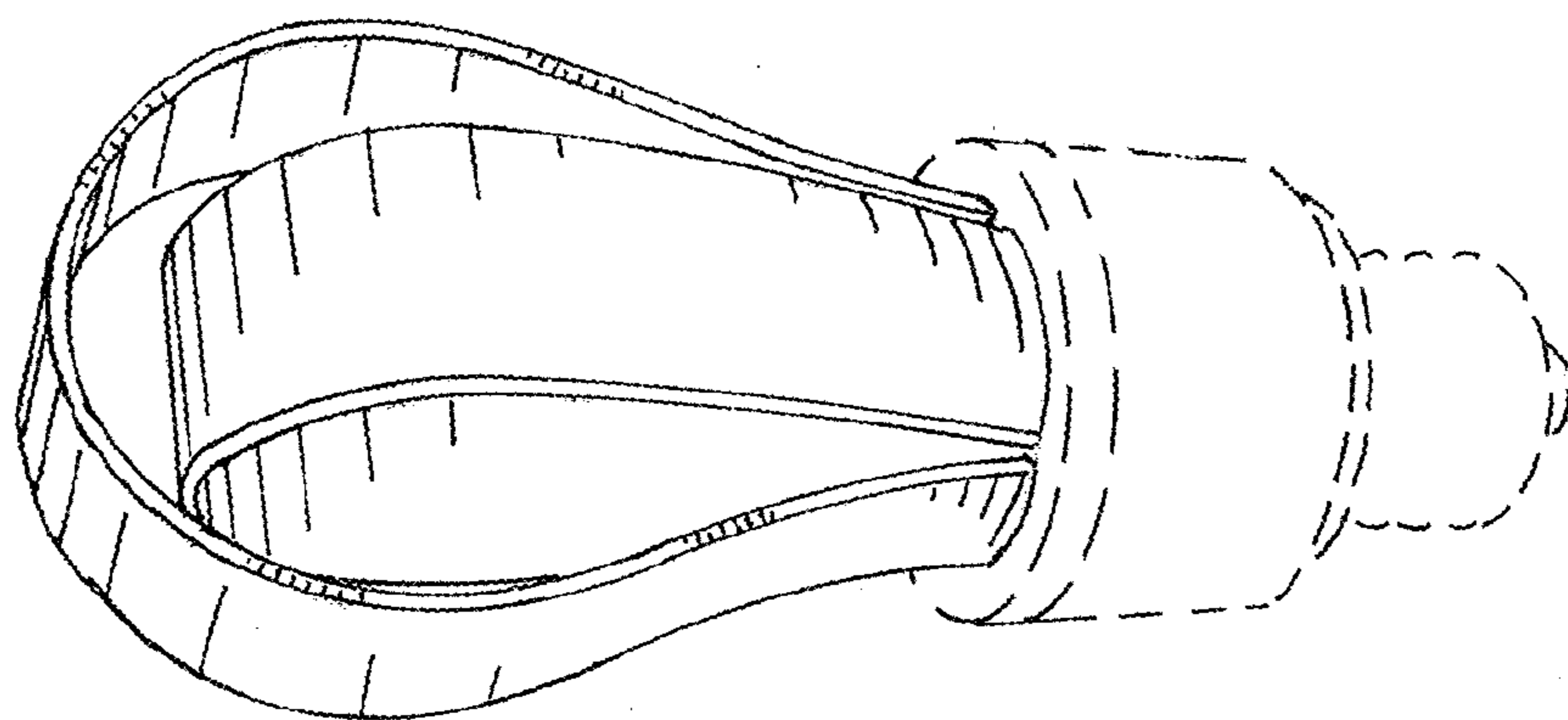


FIG. 5

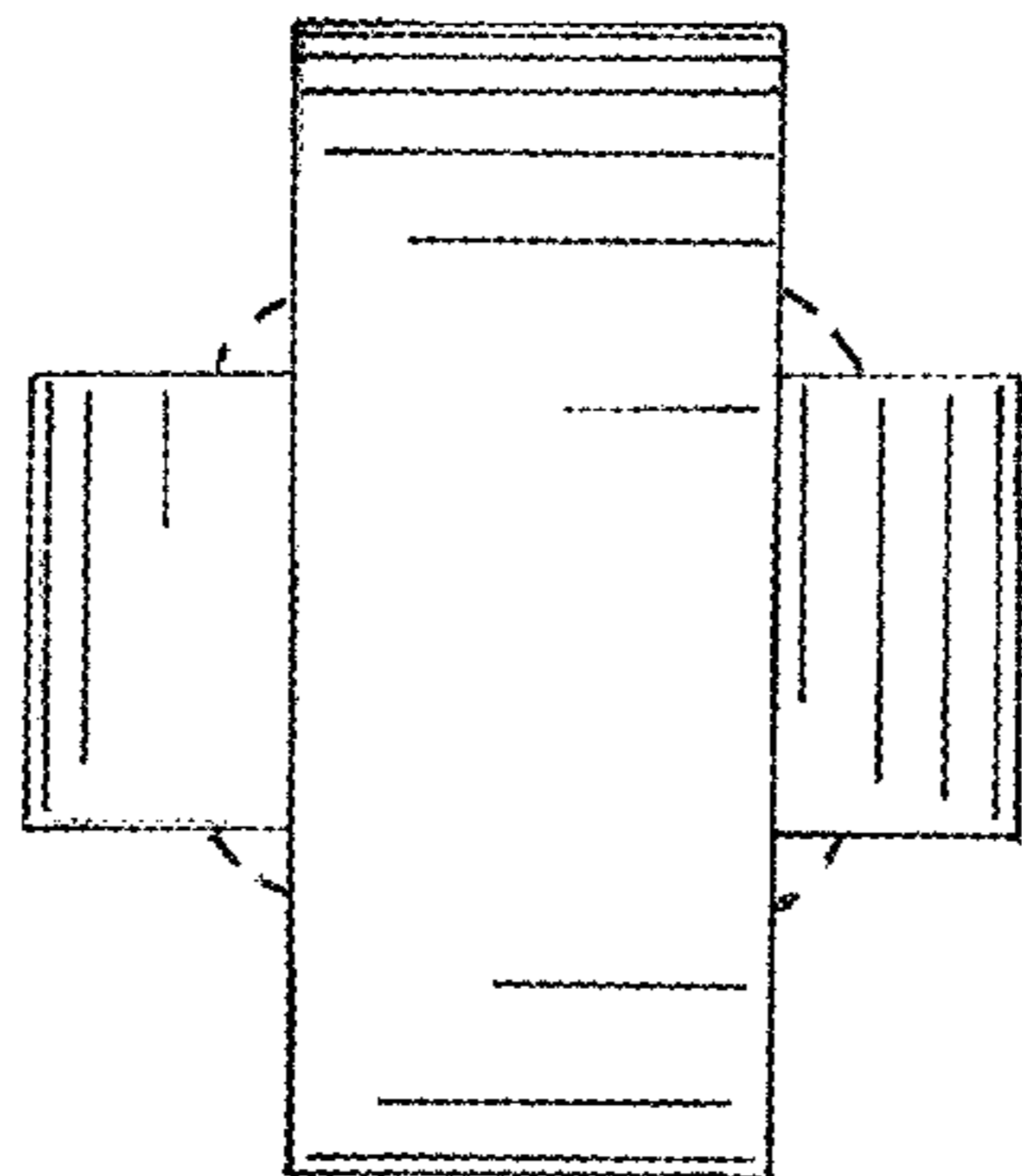


FIG. 8

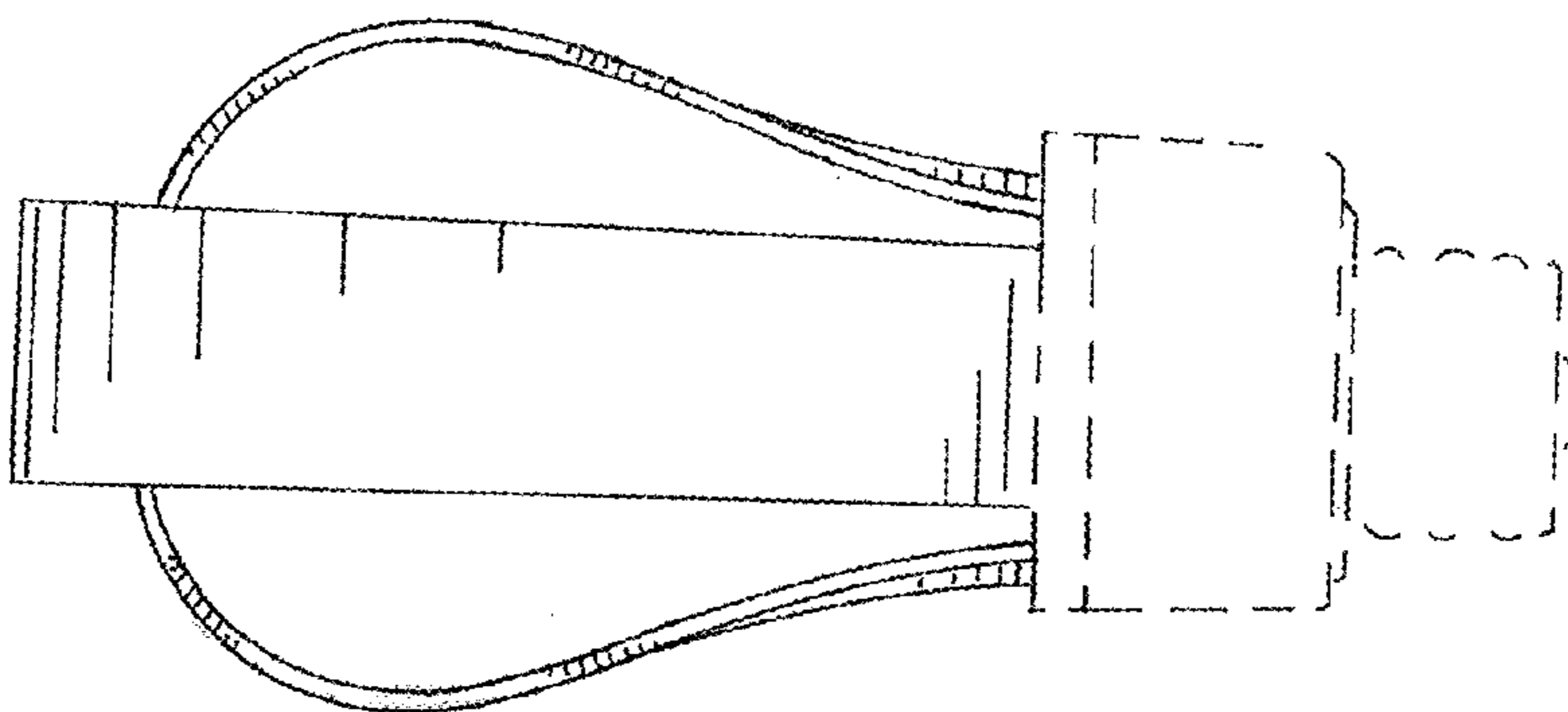


FIG. 6

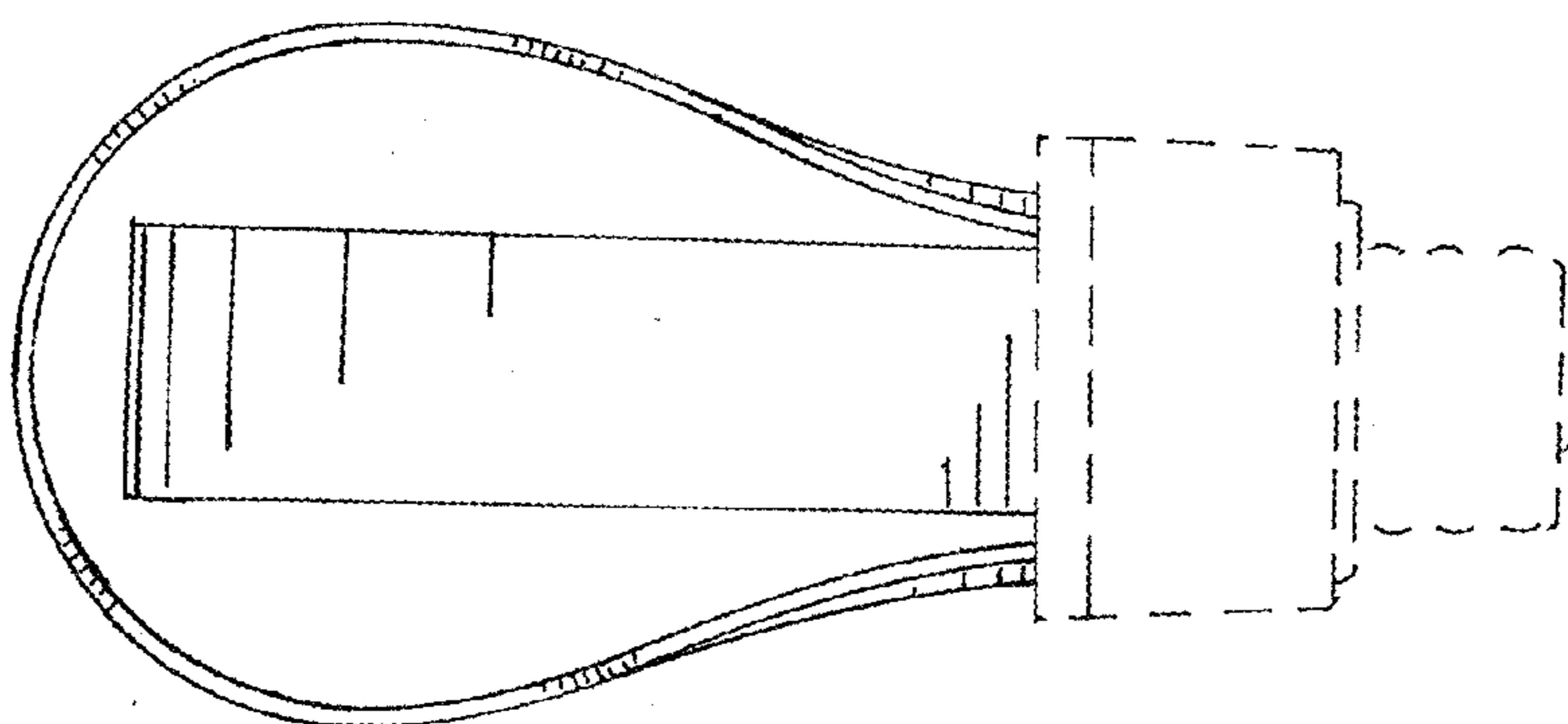


FIG. 7