



US00D689626S

(12) **United States Design Patent**  
**MacKenzie**

(10) **Patent No.:** **US D689,626 S**

(45) **Date of Patent:** **\*\* Sep. 10, 2013**

(54) **PLANT RETENTION BLOCK**

(75) Inventor: **David S. MacKenzie**, Nunica, MI (US)

(73) Assignee: **Hortech, Inc.**, Nunica, MI (US)

(\*\*) Term: **14 Years**

(21) Appl. No.: **29/420,838**

(22) Filed: **May 14, 2012**

(51) **LOC (9) Cl.** ..... **25-01**

(52) **U.S. Cl.**  
USPC ..... **D25/113**

(58) **Field of Classification Search**

USPC ..... D25/102–118, 136, 138, 140, 151,  
D25/152, 153, 156–162, 164; D21/484–491,  
D21/499–504; 405/16, 284, 286; 52/503–505,  
52/574, 575, 596–612; 404/27–42; D8/1  
See application file for complete search history.

(56) **References Cited**

U.S. PATENT DOCUMENTS

1,984,393 A \* 12/1934 Brown ..... D25/113  
2,881,613 A \* 4/1959 Taylor et al. .... D25/113  
D310,130 S \* 8/1990 van Kooten ..... D1/100

D400,601 S \* 11/1998 Anello ..... D21/484  
D423,114 S \* 4/2000 Fifield ..... D25/115  
D437,644 S \* 2/2001 Russo ..... D25/138  
D509,911 S \* 9/2005 Shillingburg ..... D25/113

\* cited by examiner

*Primary Examiner* — Anhdao Doan

(74) *Attorney, Agent, or Firm* — Price Heneveld LLP

(57) **CLAIM**

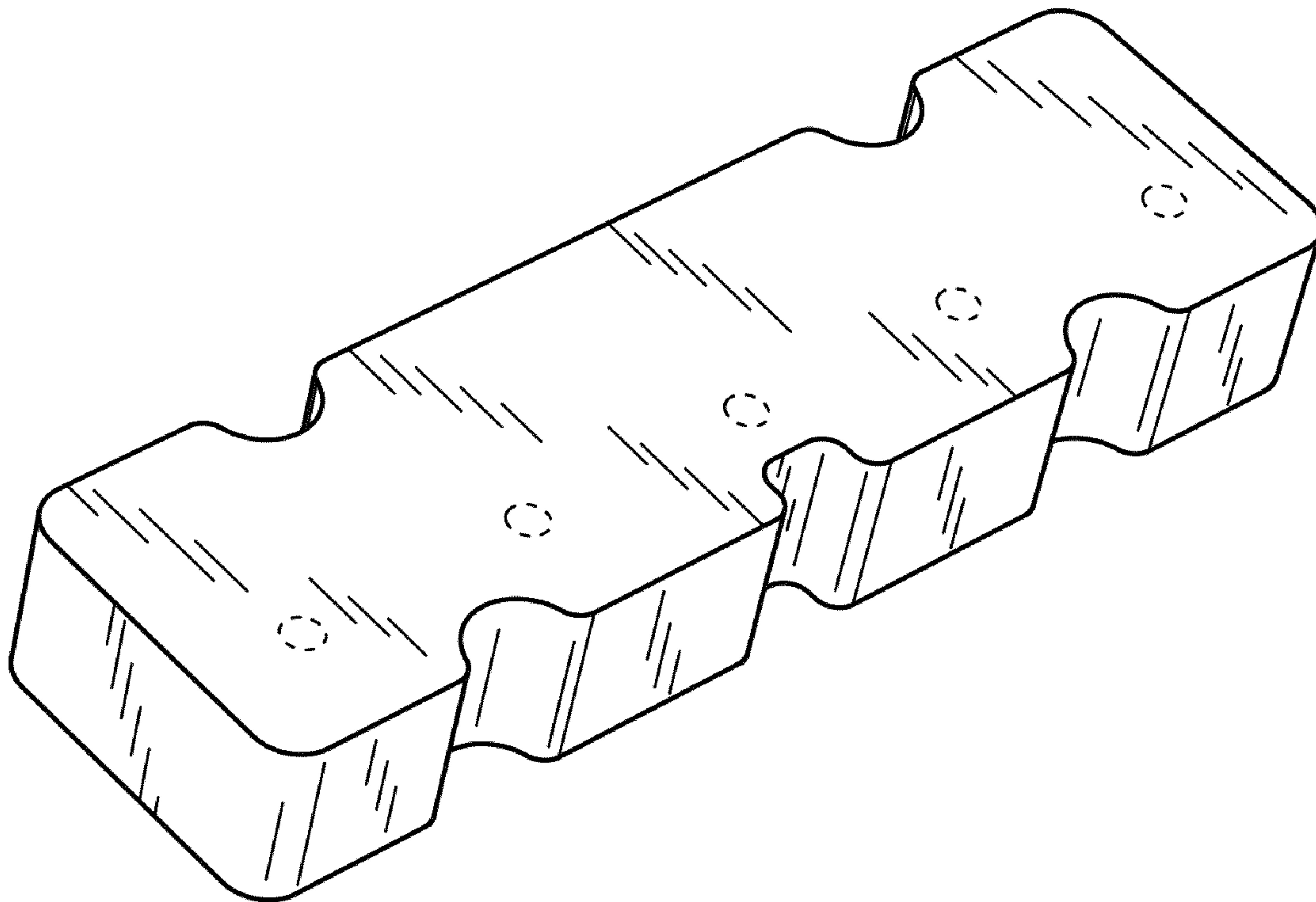
The ornamental design for a plant retention block, as shown and described.

**DESCRIPTION**

FIG. 1 is a perspective view showing a plant retention block; FIG. 2 is a front elevational view of the plant retention block; FIG. 3 is a rear elevational view of the plant retention block; FIG. 4 is a top plan view of the plant retention block, the bottom plan view being a mirror image thereof; and, FIG. 5 is an elevational view of a first side of the plant retention block, the second opposite side being a mirror image thereof.

The broken lines in FIGS. 1 and 4 are included for the purpose of illustrating portions of the plant retention block that form no part of the claimed design.

**1 Claim, 1 Drawing Sheet**



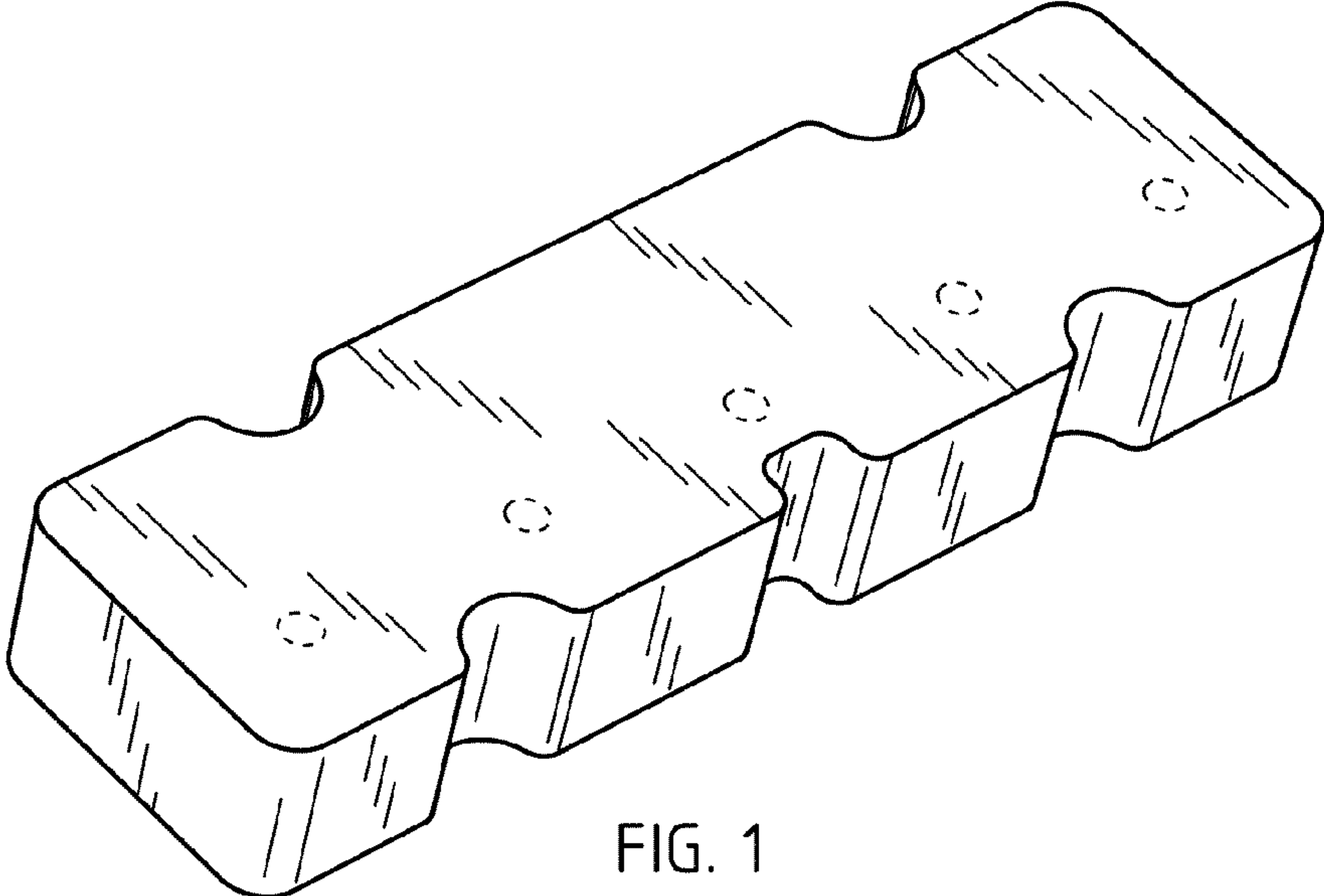


FIG. 1

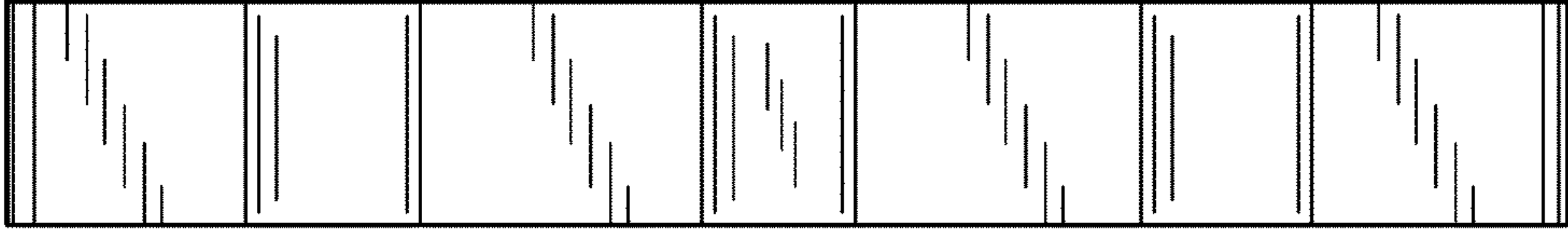


FIG. 2



FIG. 3

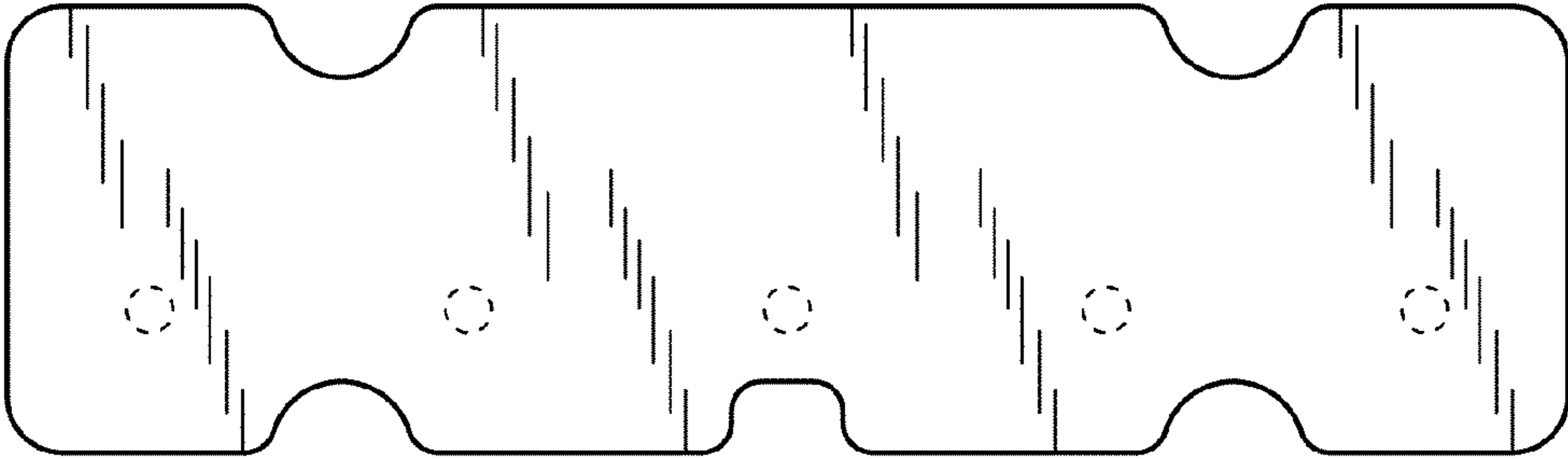


FIG. 4



FIG. 5