



US00D689625S

(12) **United States Design Patent**
Antal

(10) **Patent No.:** **US D689,625 S**

(45) **Date of Patent:** **** Sep. 10, 2013**

(54) **BUILDING BLOCK**

(75) Inventor: **István Antal**, Szeged (HU)

(73) Assignee: **WYW Block AG** (LI)

(**) Term: **14 Years**

(21) Appl. No.: **29/418,165**

(22) Filed: **Apr. 12, 2012**

(51) **LOC (9) Cl.** **25-01**

(52) **U.S. Cl.**
USPC **D25/113**

(58) **Field of Classification Search**
USPC D25/102–118, 136, 138, 140, 151,
D25/152, 153, 156–162, 164; D21/484–491,
D21/499–504; 405/16, 284, 286; 52/503–505,
52/574, 575, 596–612; 404/27–42
See application file for complete search history.

(56) **References Cited**

U.S. PATENT DOCUMENTS

349,646	A *	9/1886	Grigg	D25/113
3,382,632	A *	5/1968	Grofcsik	D25/118
3,394,517	A	7/1968	Caterina		
4,367,615	A	1/1983	Feldman		
D304,501	S *	11/1989	VanWassehnova et al.	..	D25/114
5,402,609	A *	4/1995	Kelley, Jr.	52/98
5,934,037	A *	8/1999	Bundra	52/603
D430,231	S *	8/2000	Sorensen et al.	D21/500
D468,839	S *	1/2003	Bland	D25/113
D598,572	S *	8/2009	Stephansky	D25/113
D652,952	S *	1/2012	Angel	D25/113
D674,917	S *	1/2013	Nanayakkara	D25/113
D675,749	S *	2/2013	Nanayakkara	D25/113
2006/0248847	A1	11/2006	Simon et al.		

FOREIGN PATENT DOCUMENTS

CN	201137225	Y	10/2008
DE	3319645	A1	12/1984

DE	19506065	A1	8/1996
DE	19714626	A1	10/1997
DE	102005017643	A1	10/2006
GB	1498383	A	1/1978
HU	223387	B1	1/2001

* cited by examiner

Primary Examiner — Anhdao Doan

(74) *Attorney, Agent, or Firm* — Morriss O'Bryant Compagni, PC

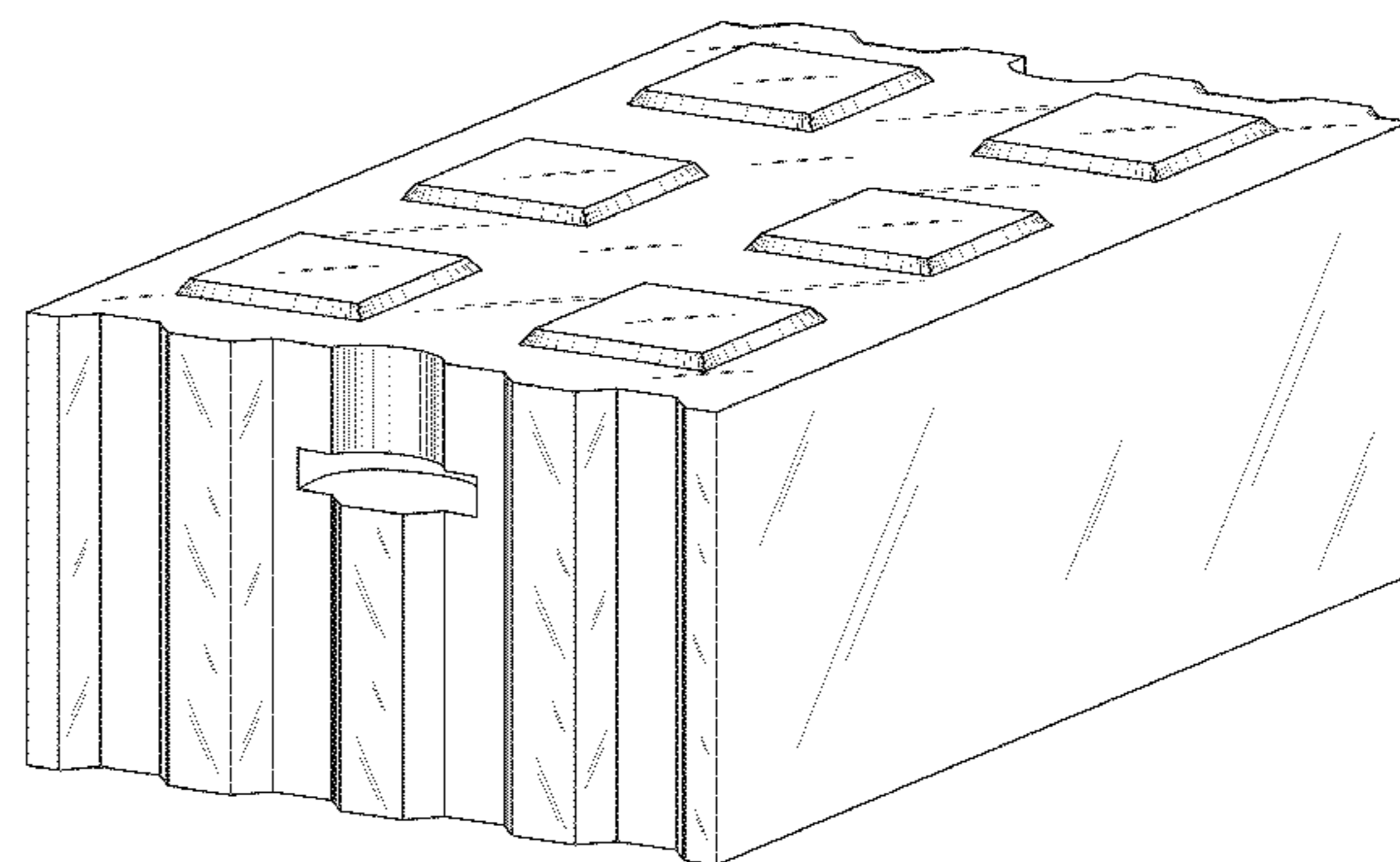
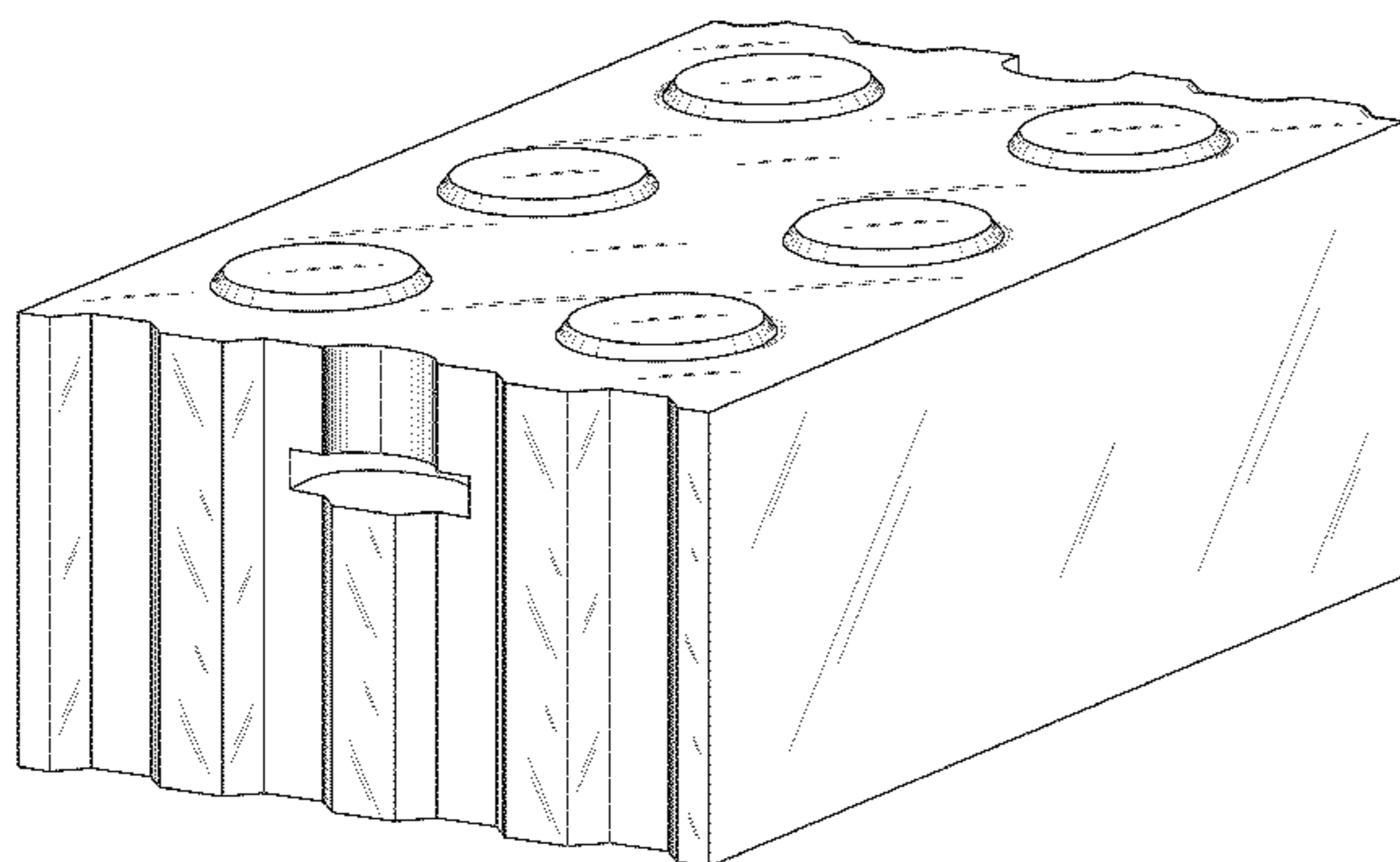
(57) **CLAIM**

The ornamental design for a building block, as shown and described.

DESCRIPTION

FIG. 1 is a top perspective of a first embodiment of a building block of the present invention;
 FIG. 2 is a bottom perspective view thereof;
 FIG. 3 is a bottom view thereof;
 FIG. 4 is a top view thereof;
 FIG. 5 is a right side view thereof;
 FIG. 6 is a left side view thereof;
 FIG. 7 is a front view thereof;
 FIG. 8 is a rear view thereof;
 FIG. 9 is a top perspective of a second embodiment of a building block of the present invention;
 FIG. 10 is a bottom perspective view thereof;
 FIG. 11 is a bottom view thereof;
 FIG. 12 is a top view thereof;
 FIG. 13 is a right side view thereof;
 FIG. 14 is a left side view thereof;
 FIG. 15 is a front view thereof; and,
 FIG. 16 is a rear view thereof.

1 Claim, 16 Drawing Sheets



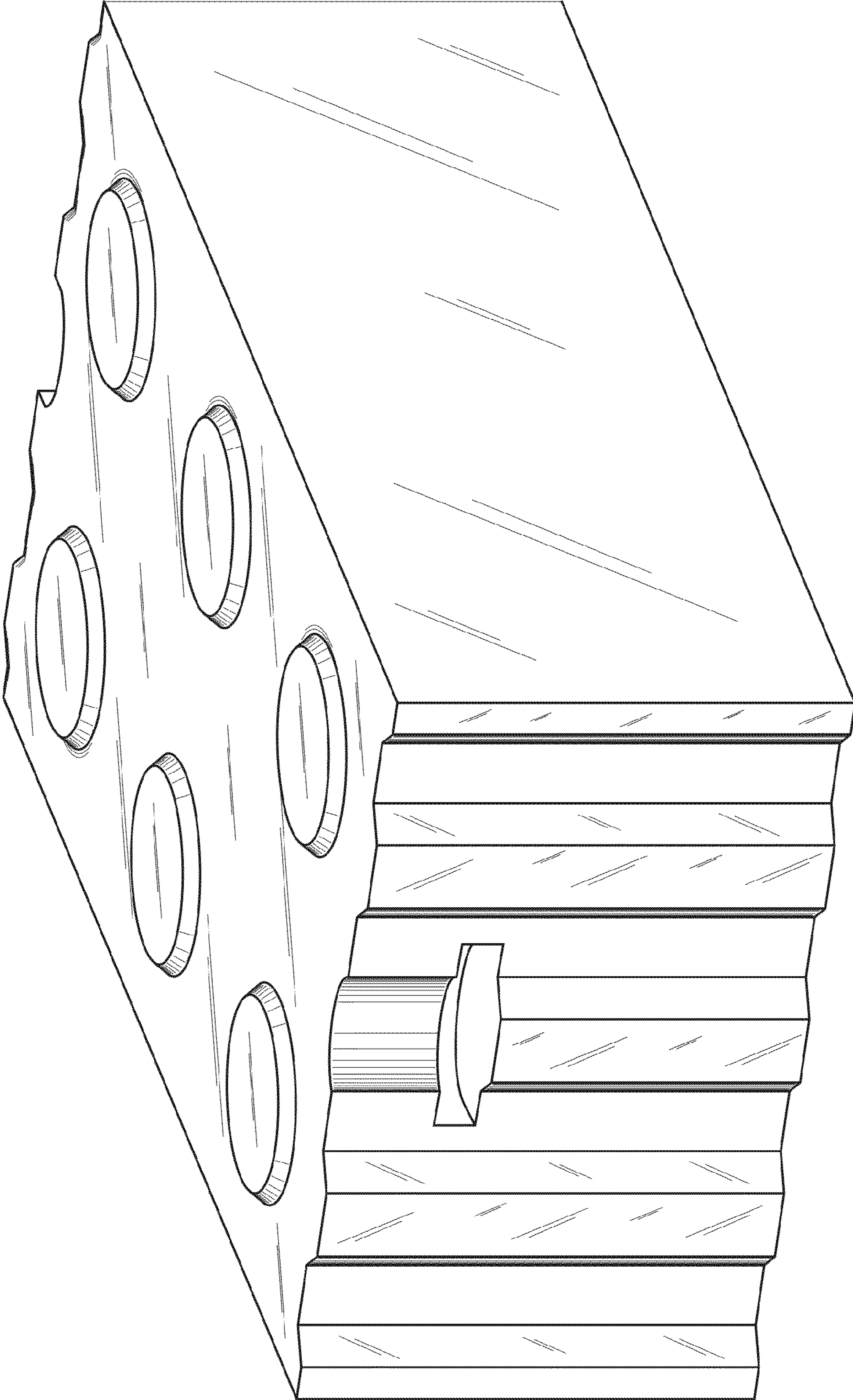


FIG. 1

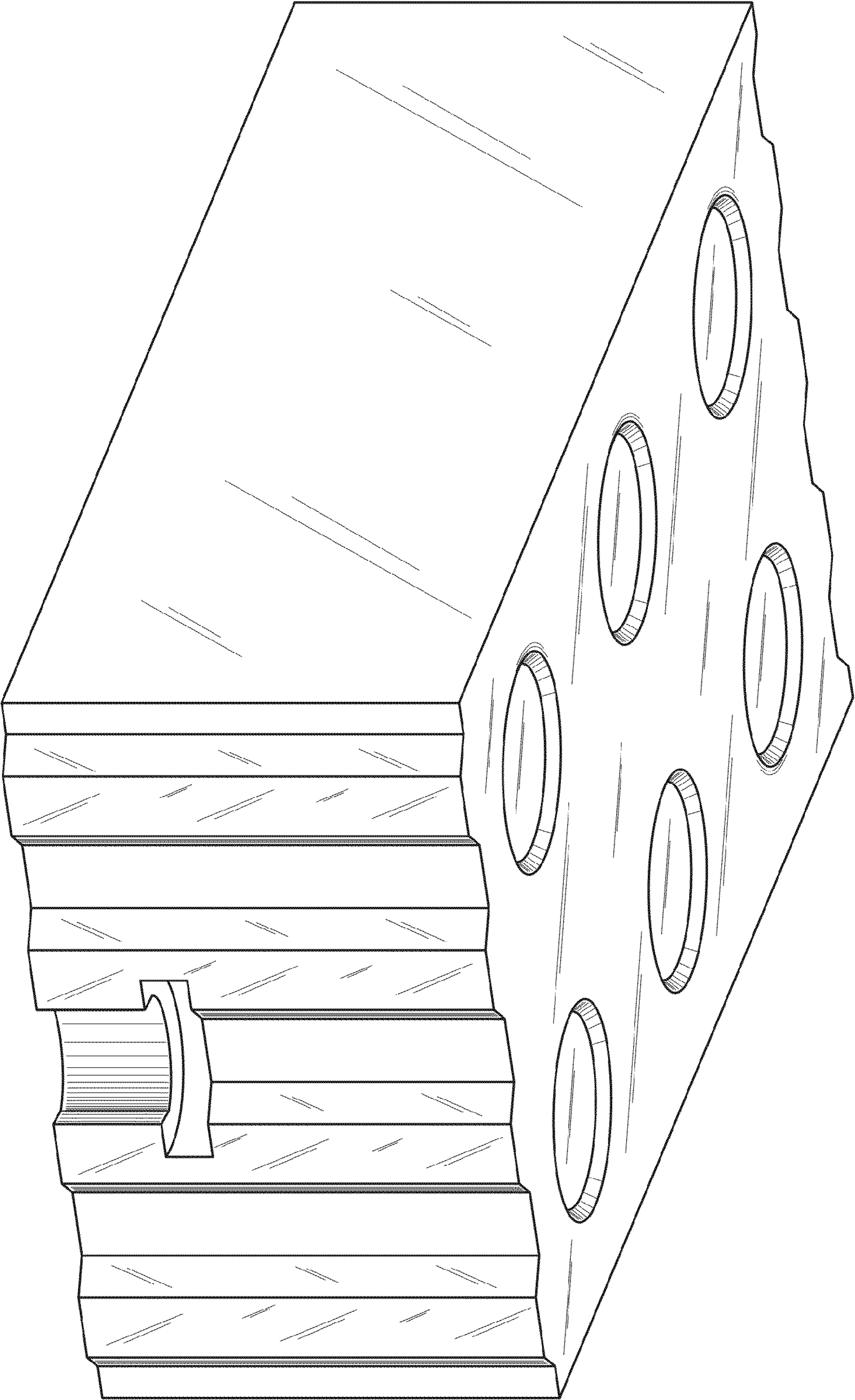


FIG. 2

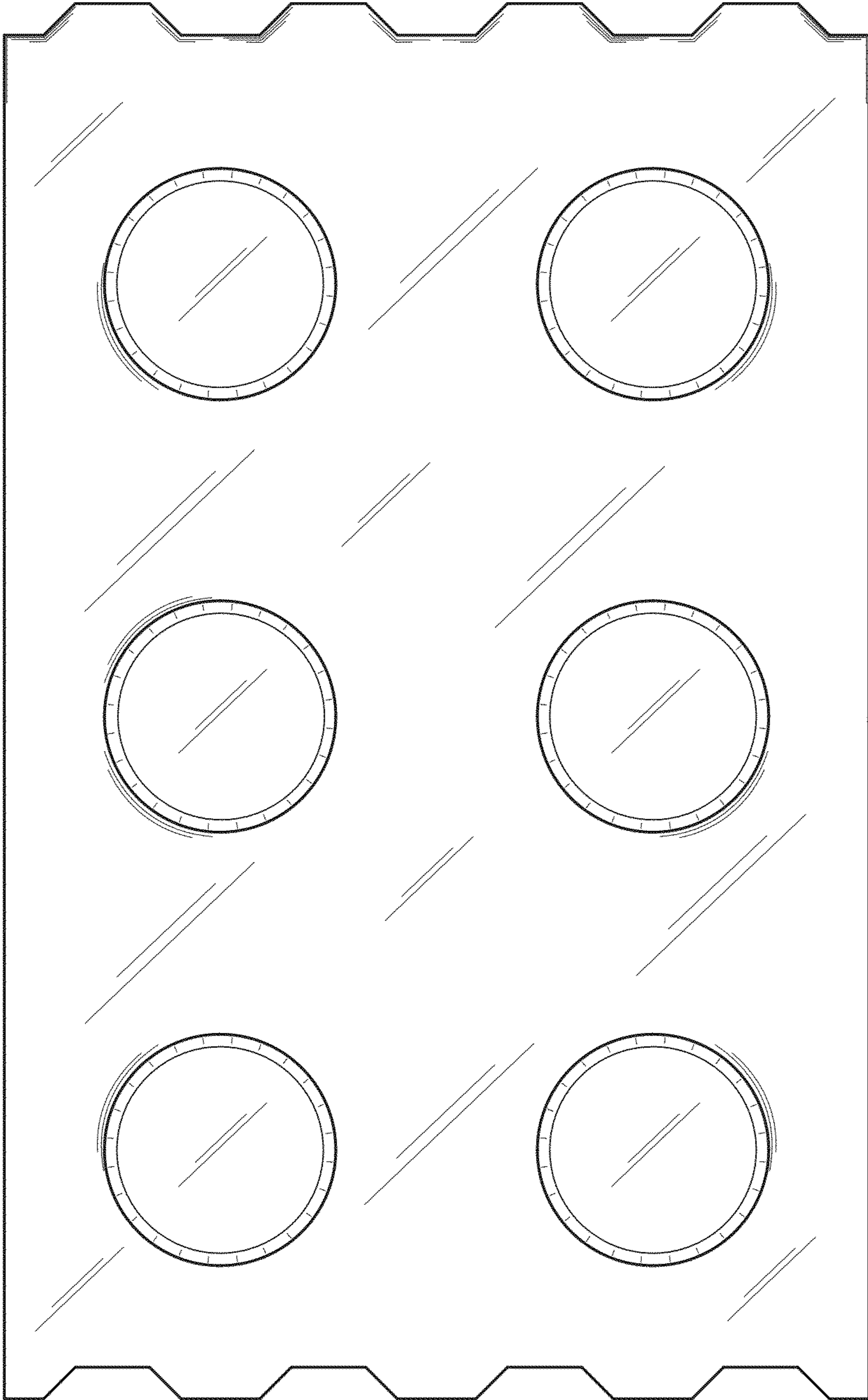


FIG. 3

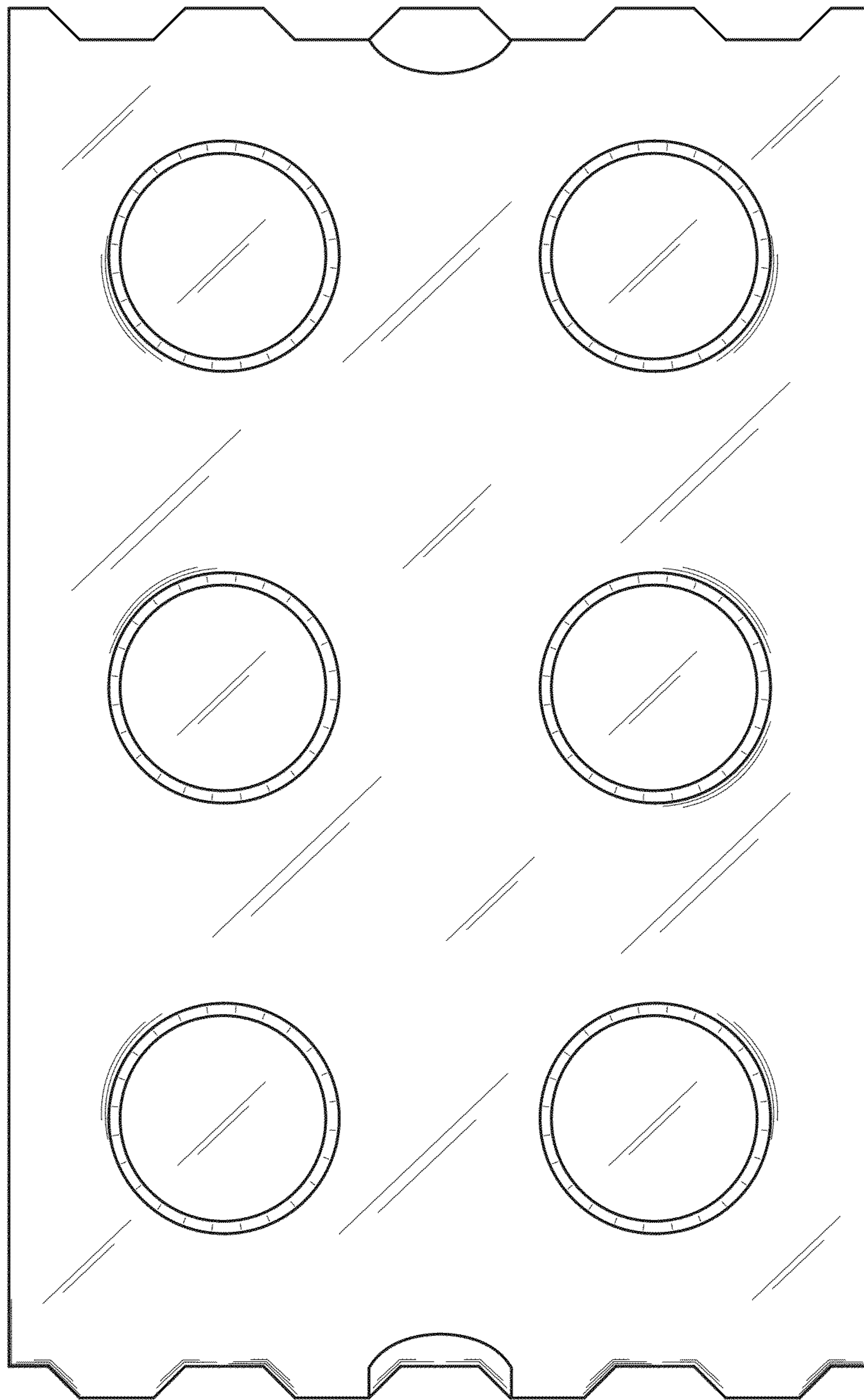


FIG. 4

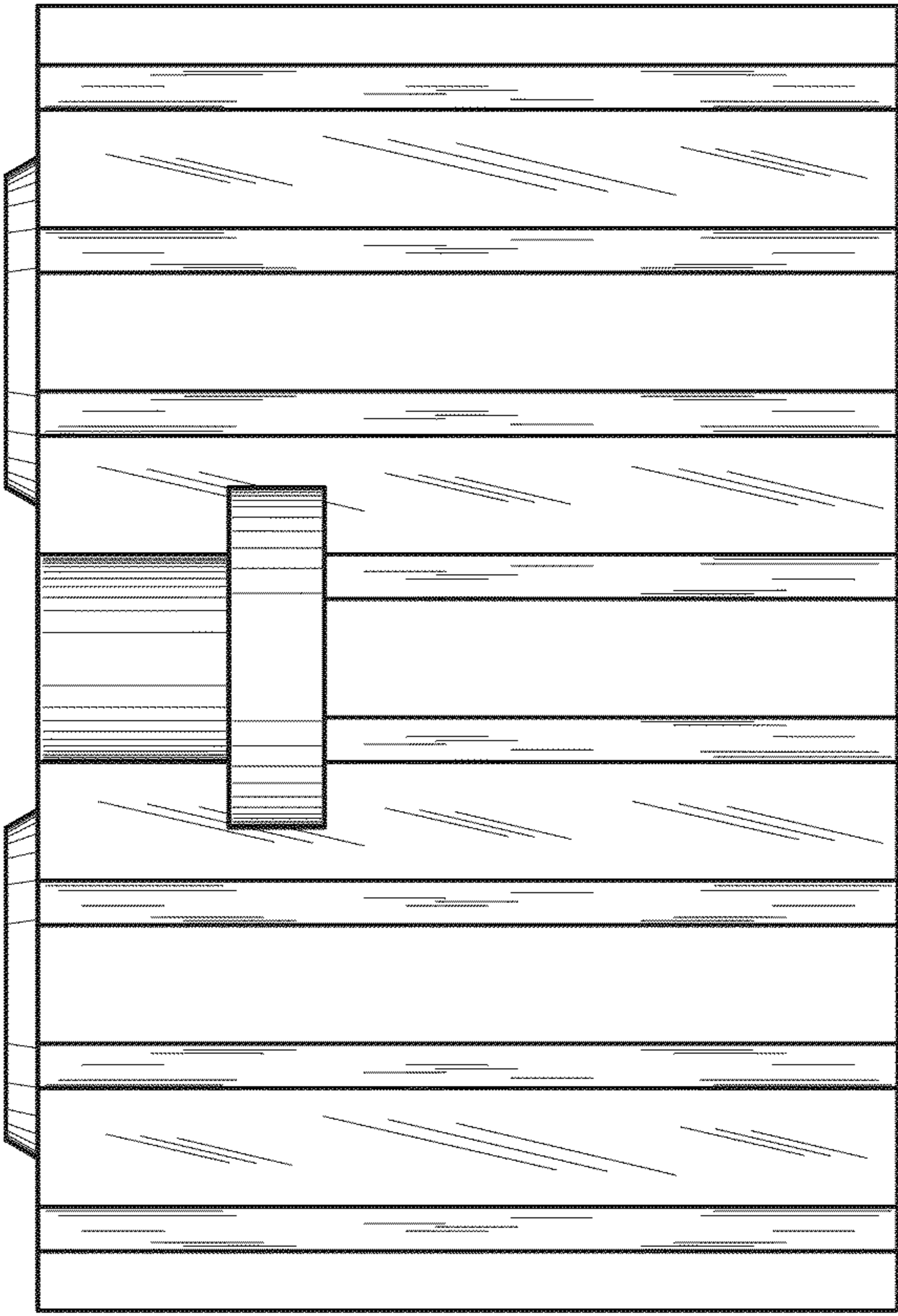


FIG. 5

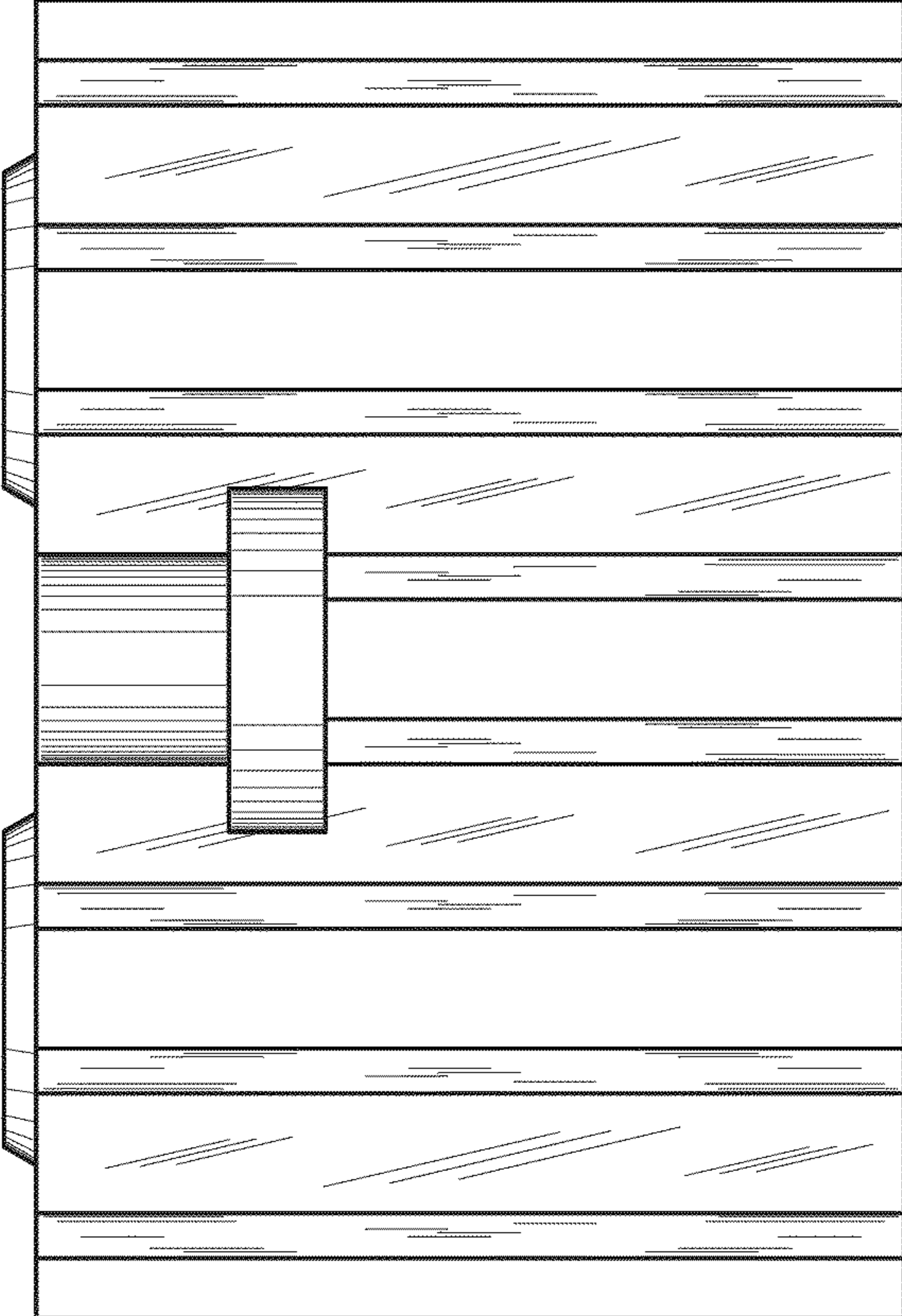


FIG. 6

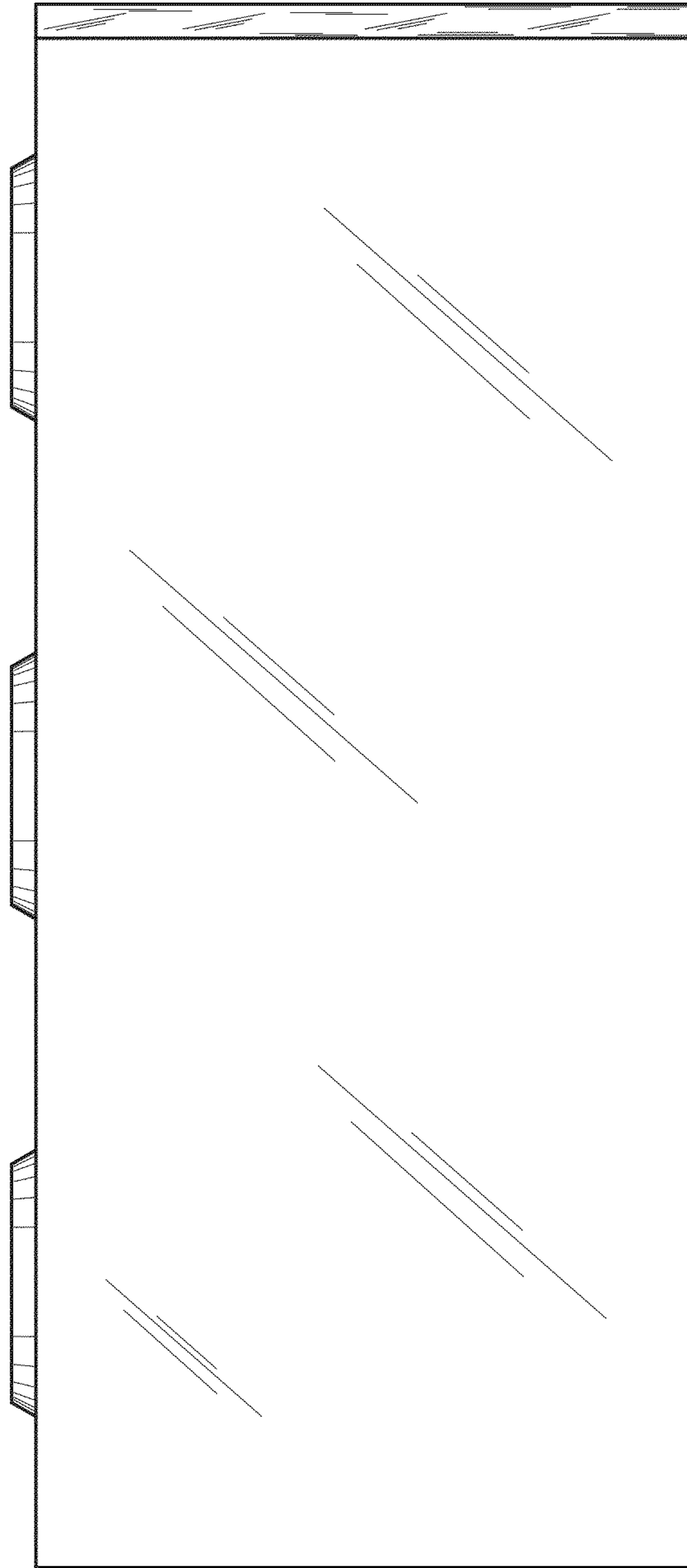


FIG. 7

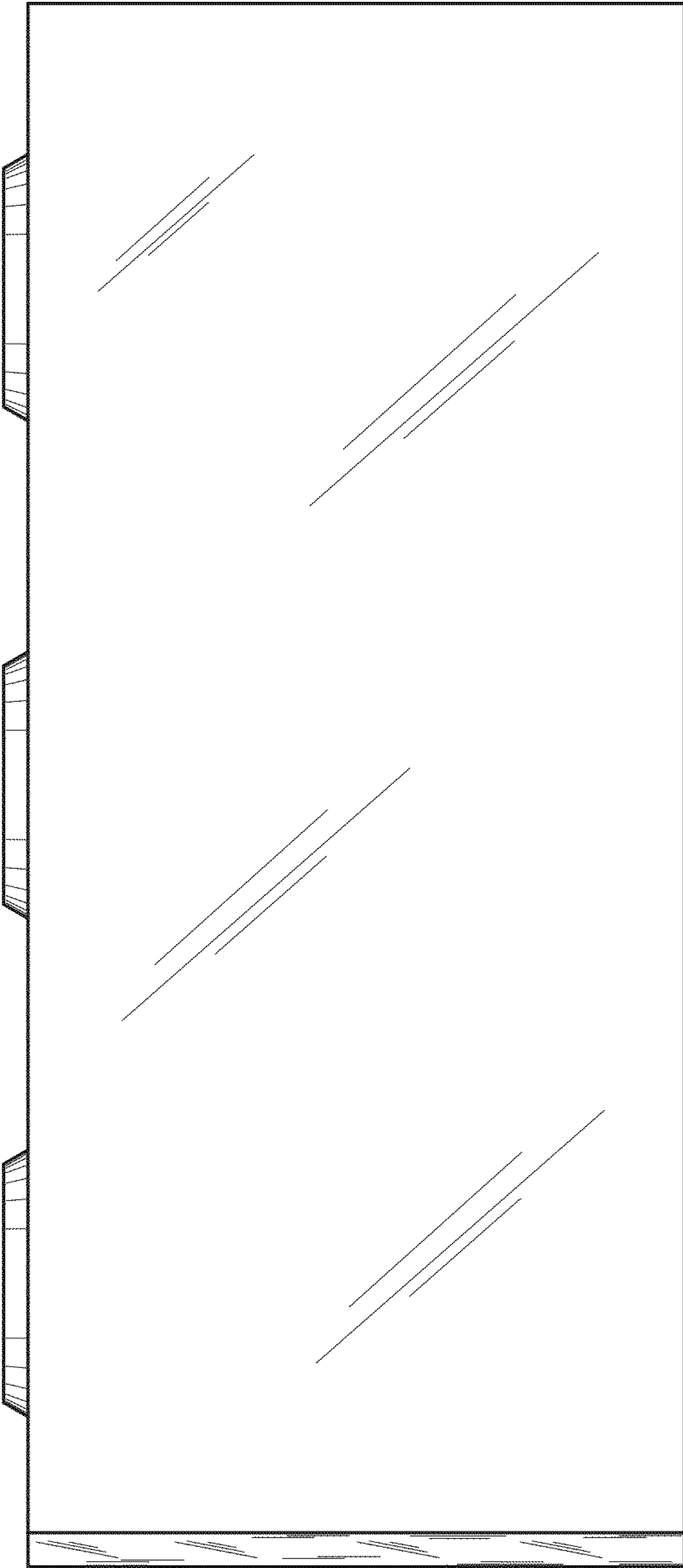


FIG. 8

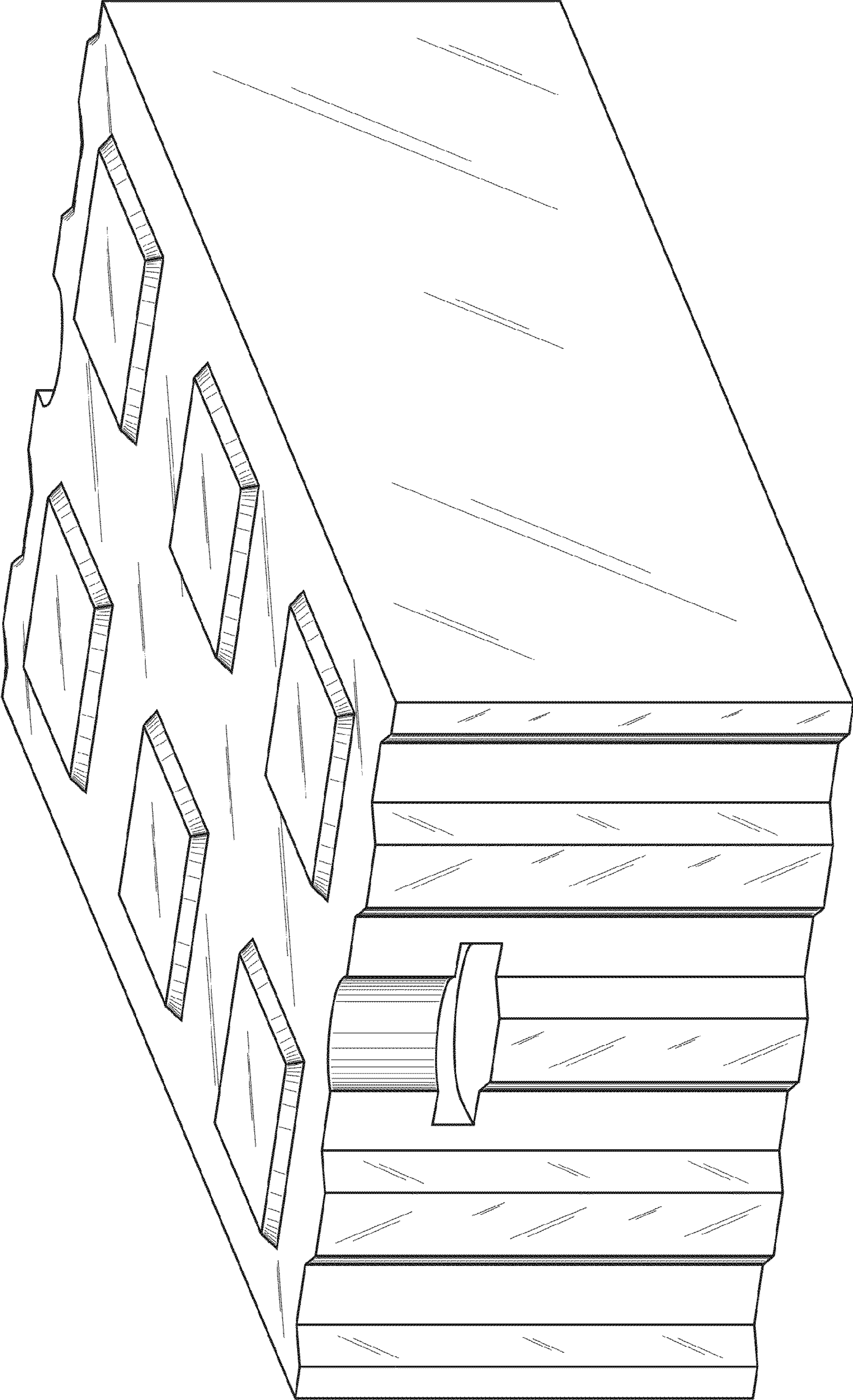


FIG. 9

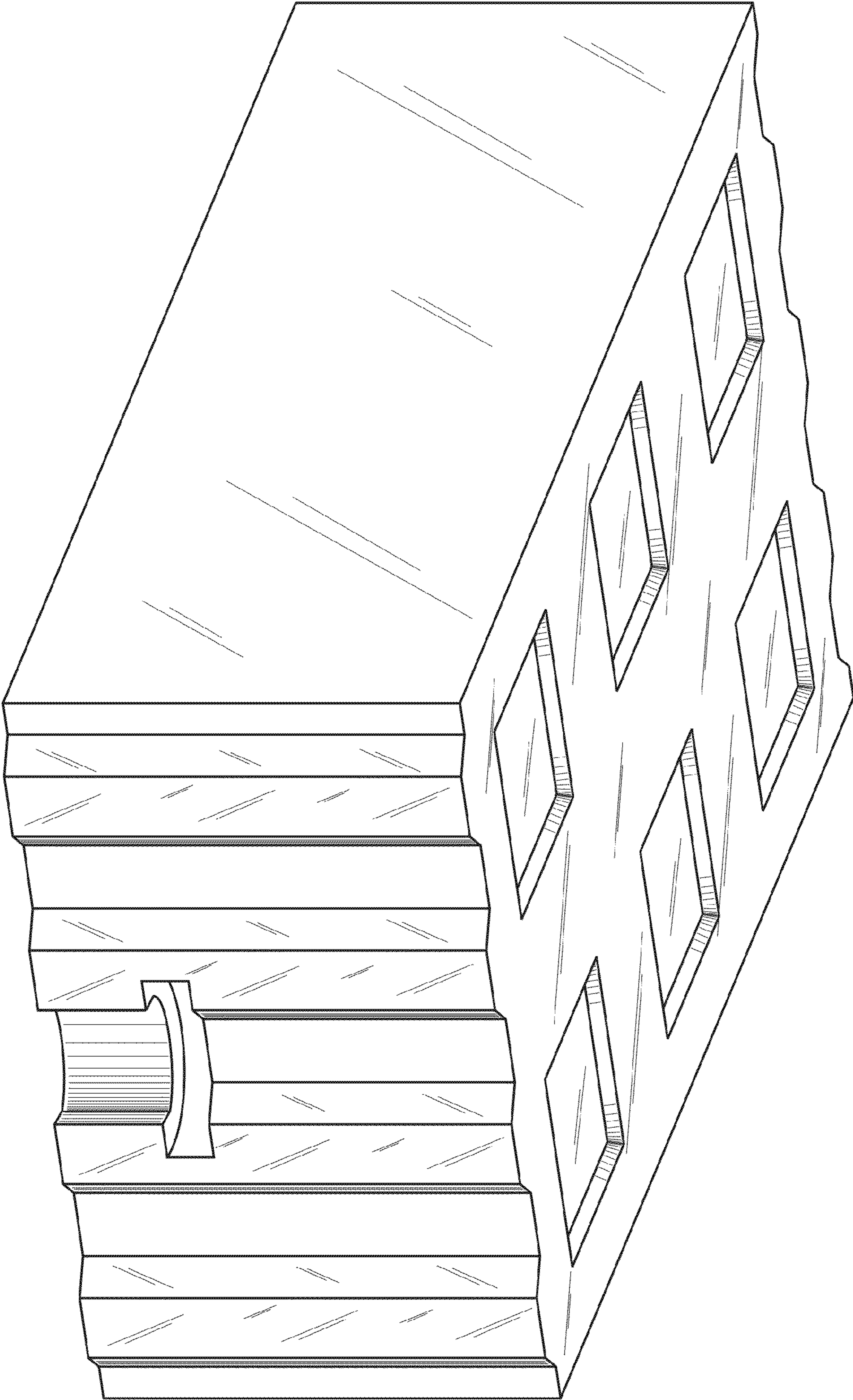


FIG. 10

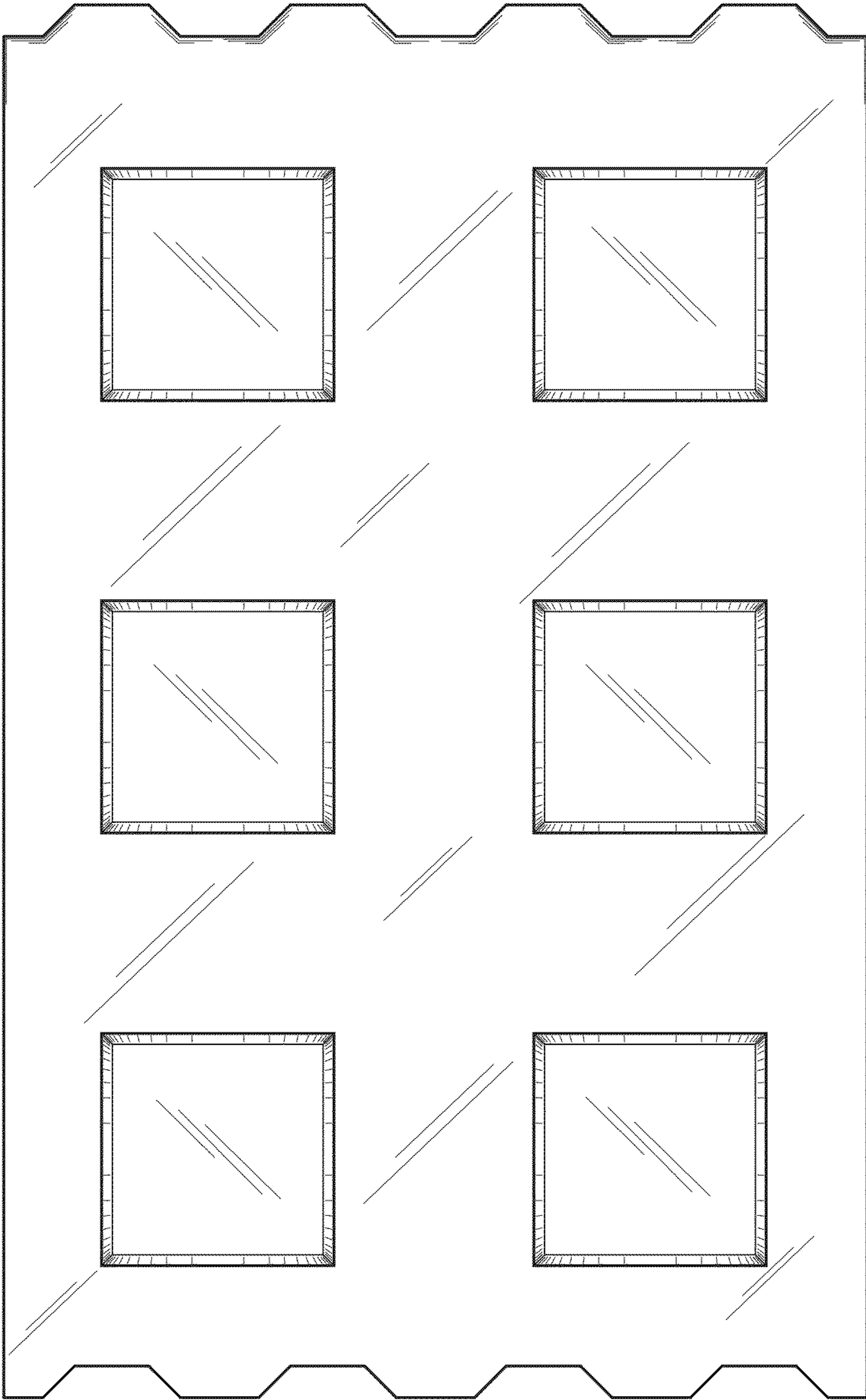


FIG. 11

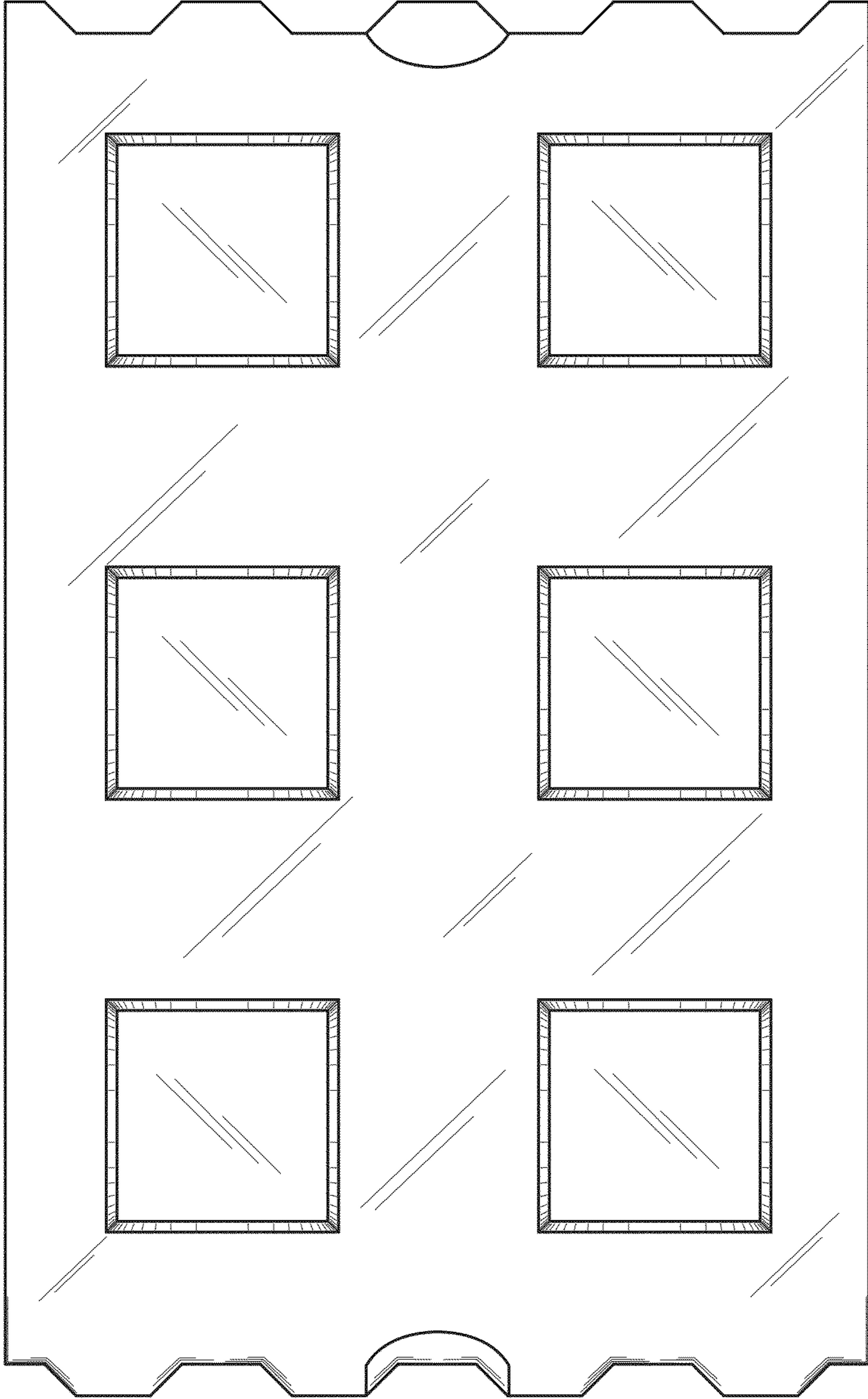


FIG. 12

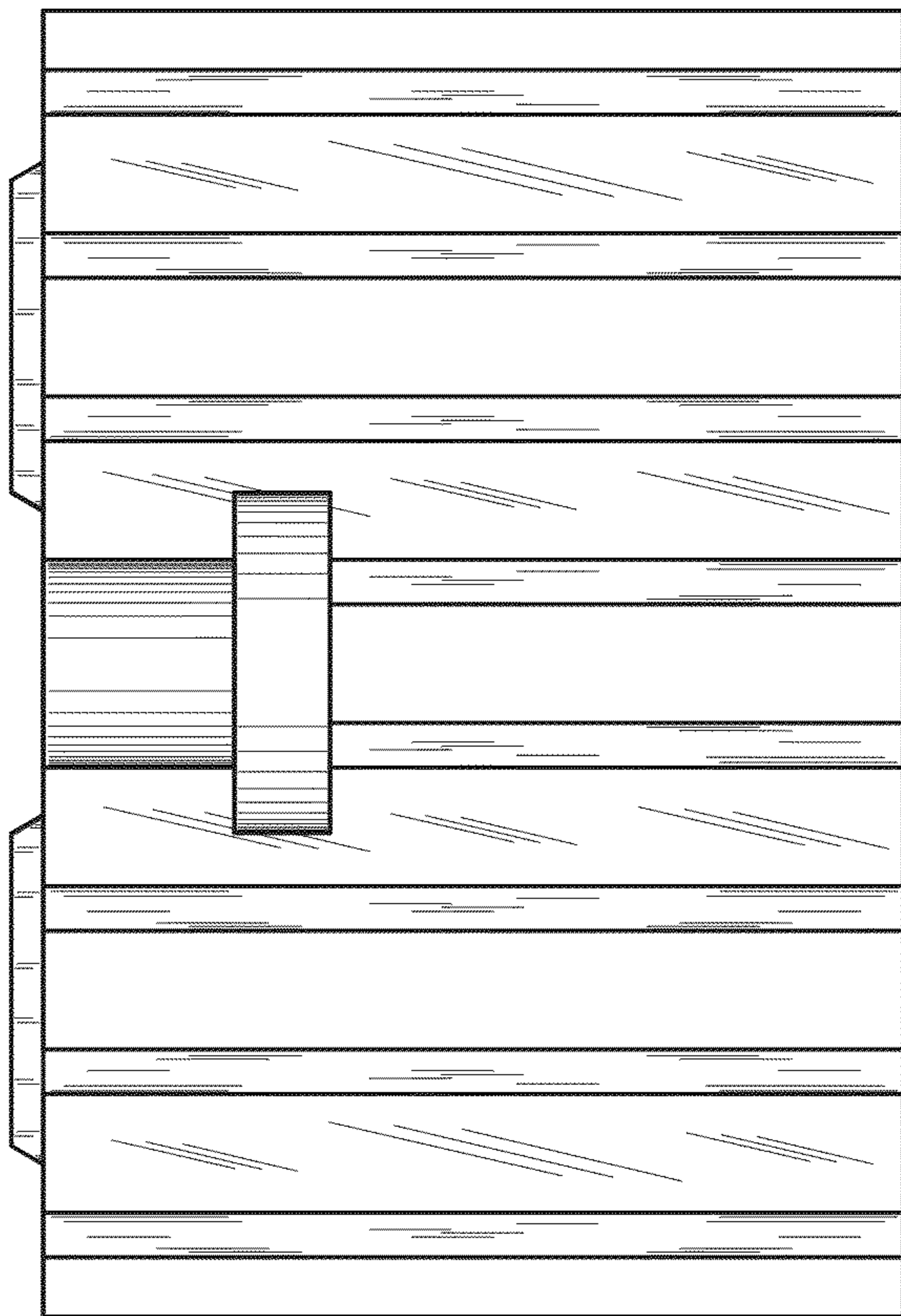


FIG. 13

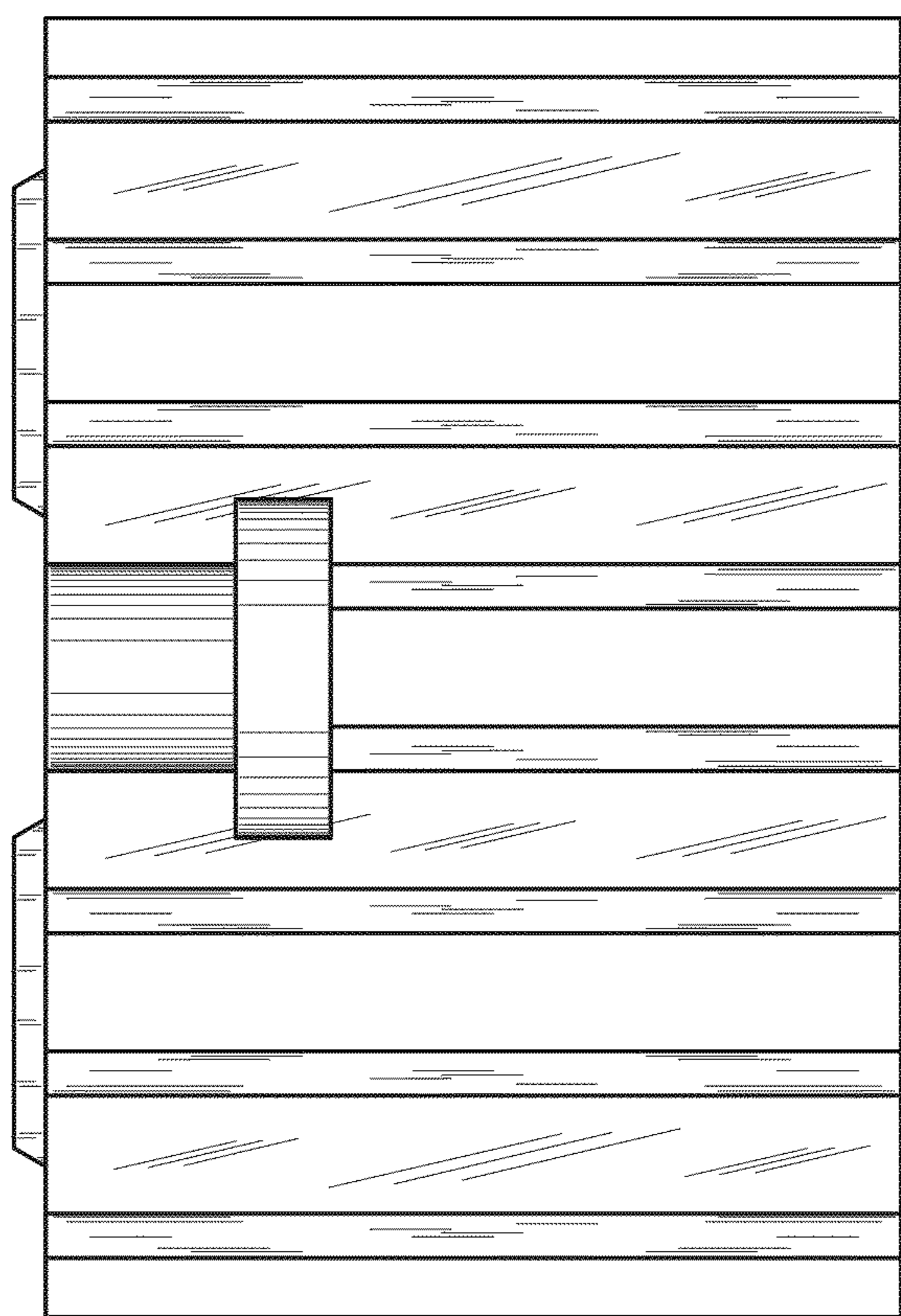


FIG. 14

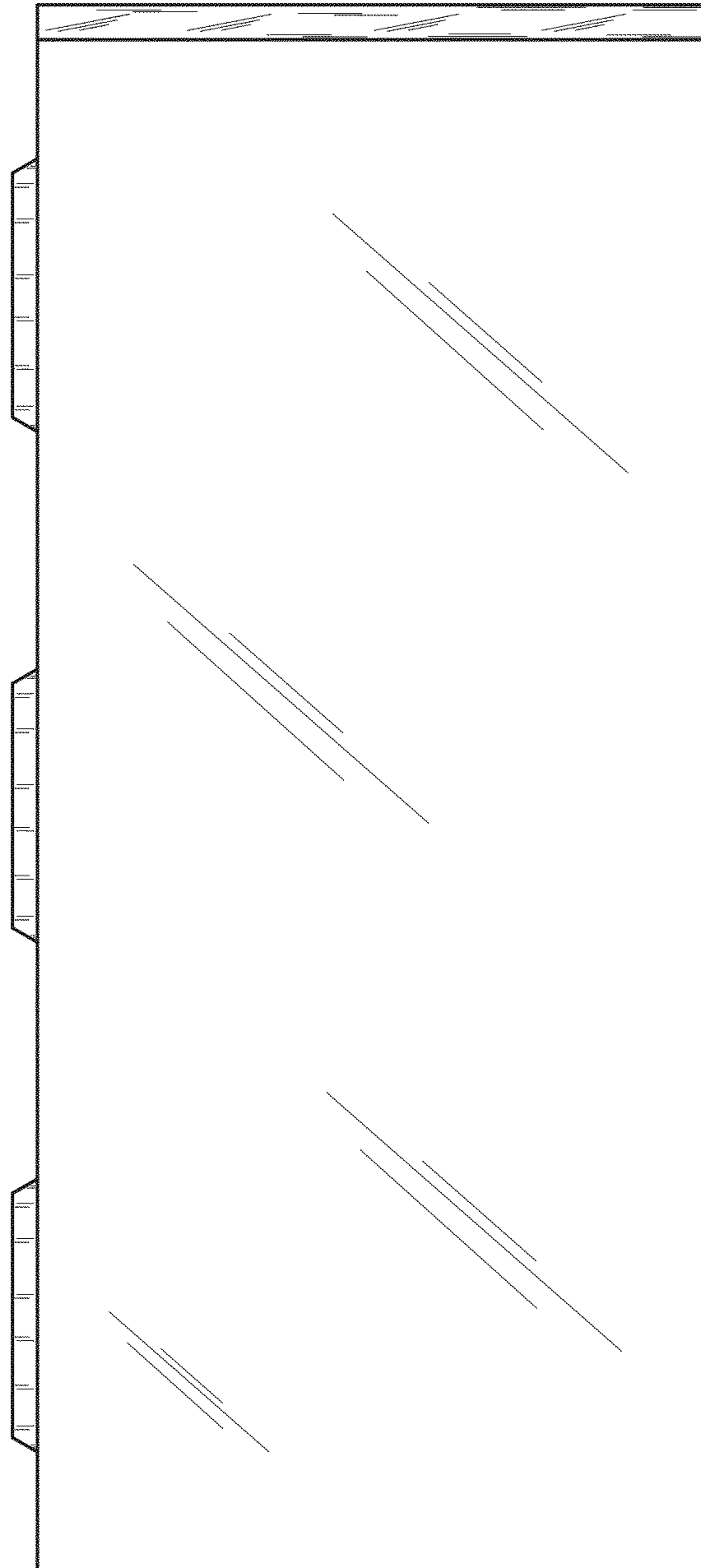


FIG. 15

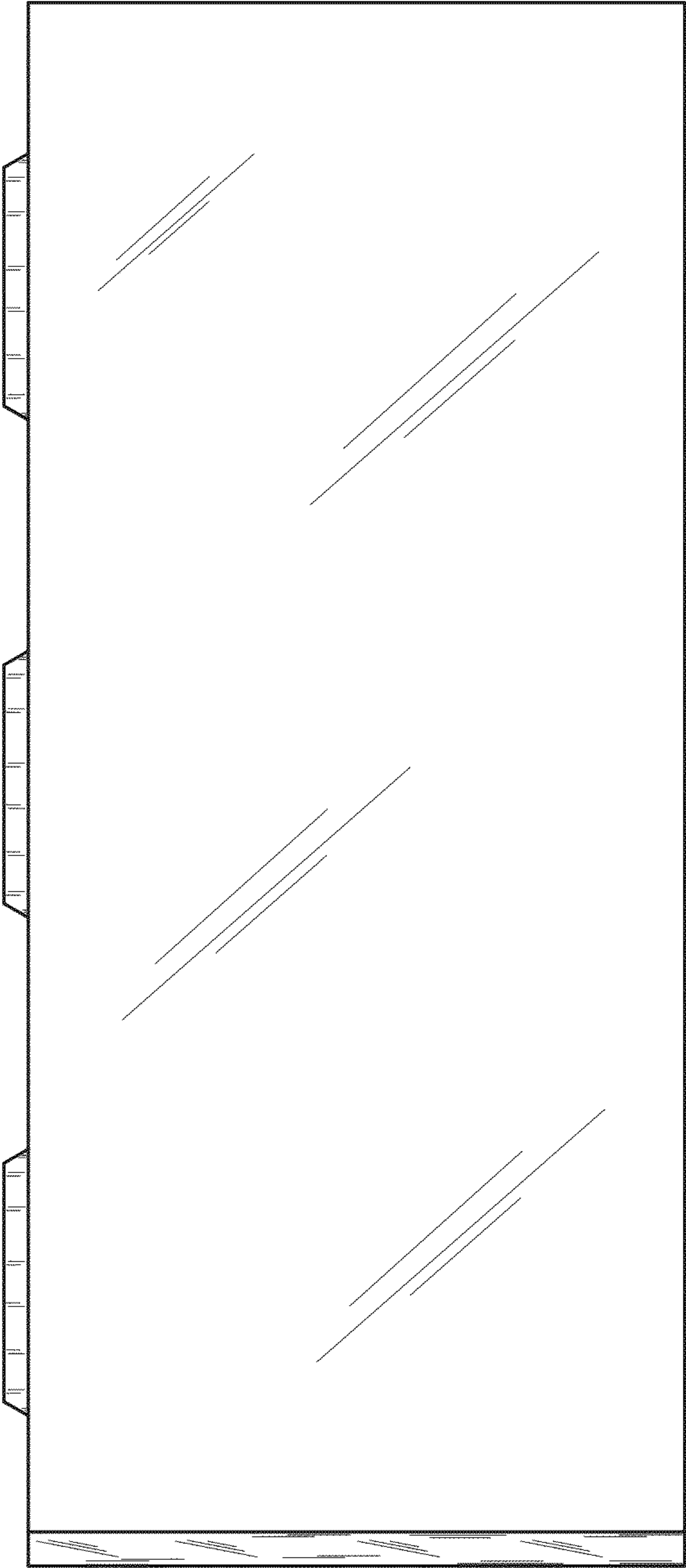


FIG. 16