



US00D689623S

(12) **United States Design Patent**  
**Klinkenberg et al.**

(10) **Patent No.:** **US D689,623 S**

(45) **Date of Patent:** **\*\* Sep. 10, 2013**

(54) **DISCHARGE DOOR GATE**

(56) **References Cited**

(75) Inventors: **John Klinkenberg**, Kahibah (AU); **Jon Balaam**, Colo Vale (AU); **Simon Burgoyne**, Kotara (AU)

U.S. PATENT DOCUMENTS

1,860,648	A	*	5/1932	Bokan	.....	160/114
3,129,278	A	*	4/1964	Watt, Jr. et al.	.....	174/366
4,039,102	A	*	8/1977	Klett	.....	222/38
D340,290	S	*	10/1993	Rossiter	.....	D25/48.5
D347,284	S	*	5/1994	Brigden	.....	D25/48.5

(73) Assignee: **Bradken Resources Pty Limited**,  
Mayfield West (AU)

\* cited by examiner

(\*\*) Term: **14 Years**

*Primary Examiner* — Doris Clark

(21) Appl. No.: **29/419,632**

(74) *Attorney, Agent, or Firm* — Morrison & Foerster LLP

(22) Filed: **Apr. 30, 2012**

(57) **CLAIM**

We claim the design for a discharge door gate, as shown and described.

(30) **Foreign Application Priority Data**

**DESCRIPTION**

Oct. 31, 2011 (AU) ..... 14905/2011

(51) **LOC (9) Cl.** ..... **25-02**

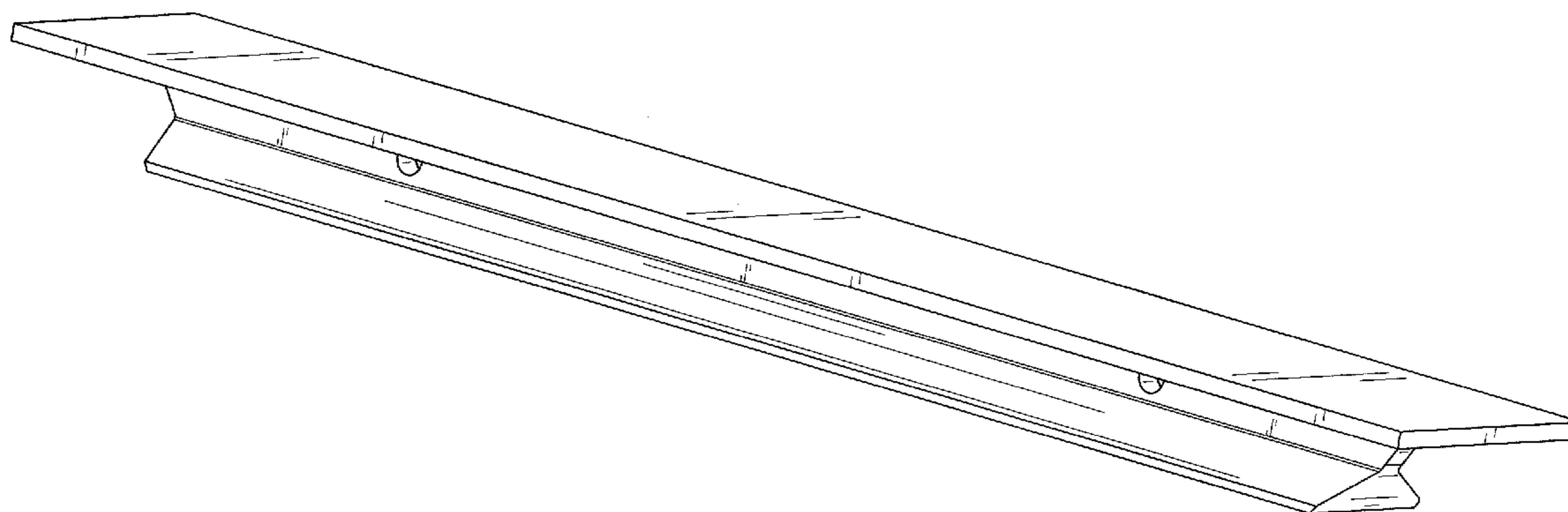
(52) **U.S. Cl.**  
USPC ..... **D25/48.5**

(58) **Field of Classification Search**  
USPC ..... 49/1, 24, 25, 26, 38, 9, 45, 124, 165,  
49/198, 207, 226, 236, 246, 371; D25/48.5;  
52/476

FIG. 1 is a top pictorial view showing our new design;  
FIG. 2 is a rear view thereof;  
FIG. 3 is a top view thereof;  
FIG. 4 is a front view thereof;  
FIG. 5 is a bottom view thereof;  
FIG. 6 is a left side view thereof;  
FIG. 7 is a right side view thereof; and,  
FIG. 8 is a bottom pictorial view thereof.

See application file for complete search history.

**1 Claim, 7 Drawing Sheets**



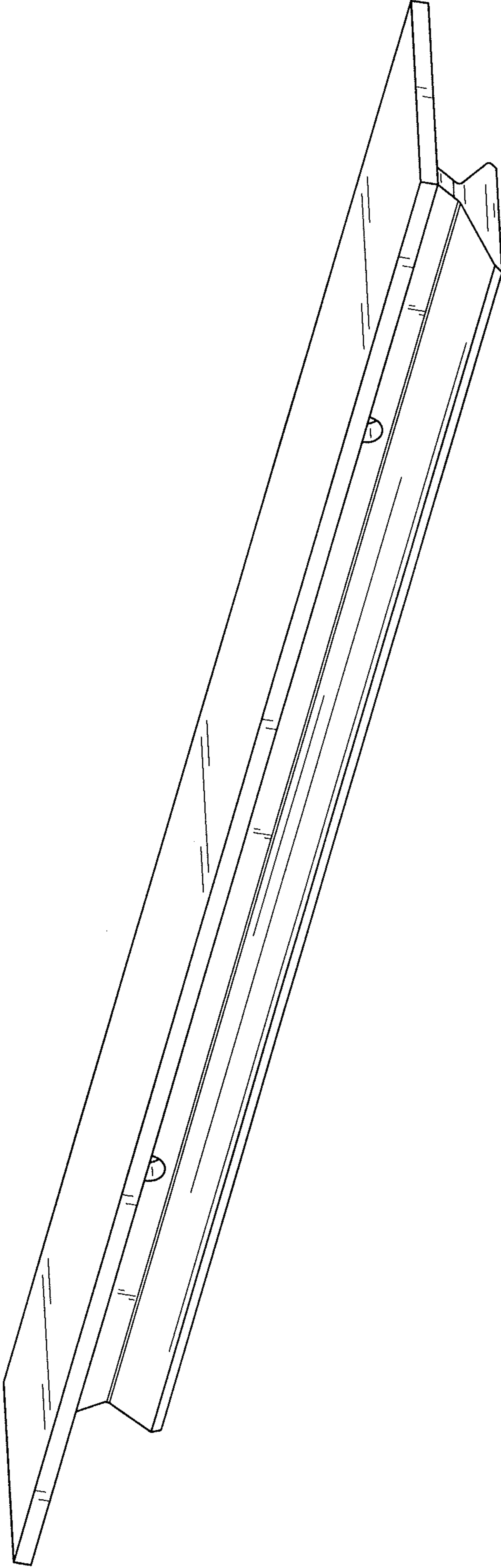


FIG. 1

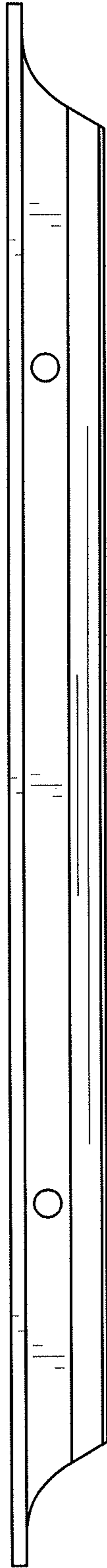


FIG. 2

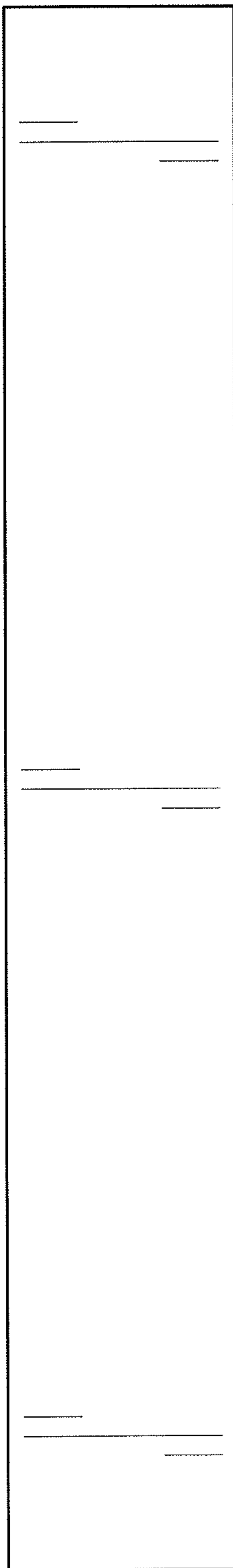


FIG. 3



FIG. 4

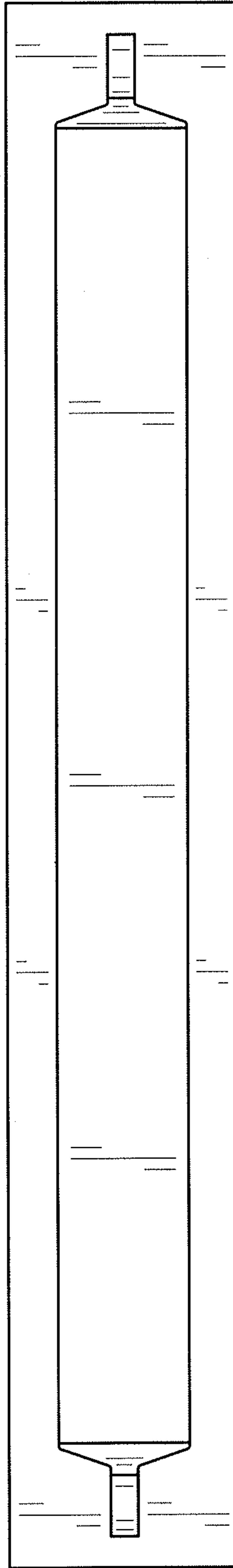


FIG. 5

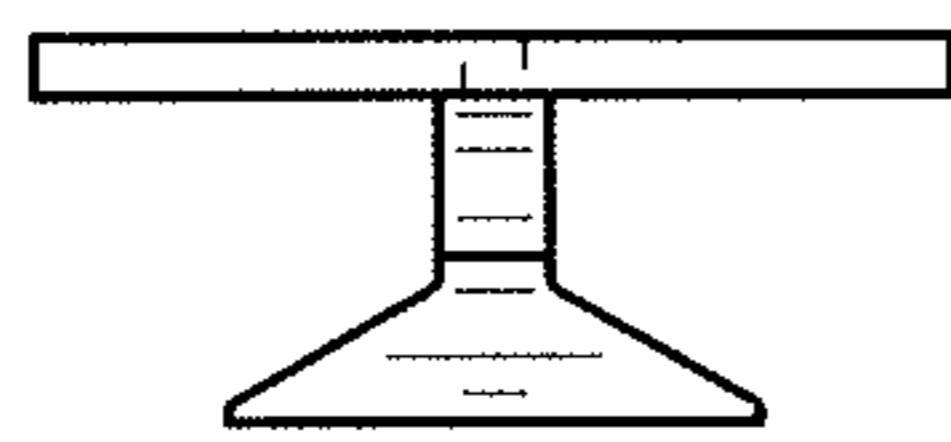


FIG. 6

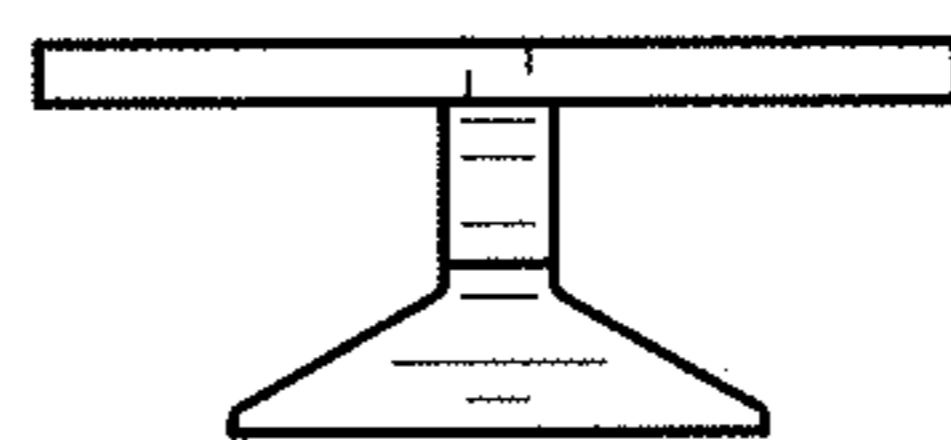


FIG. 7

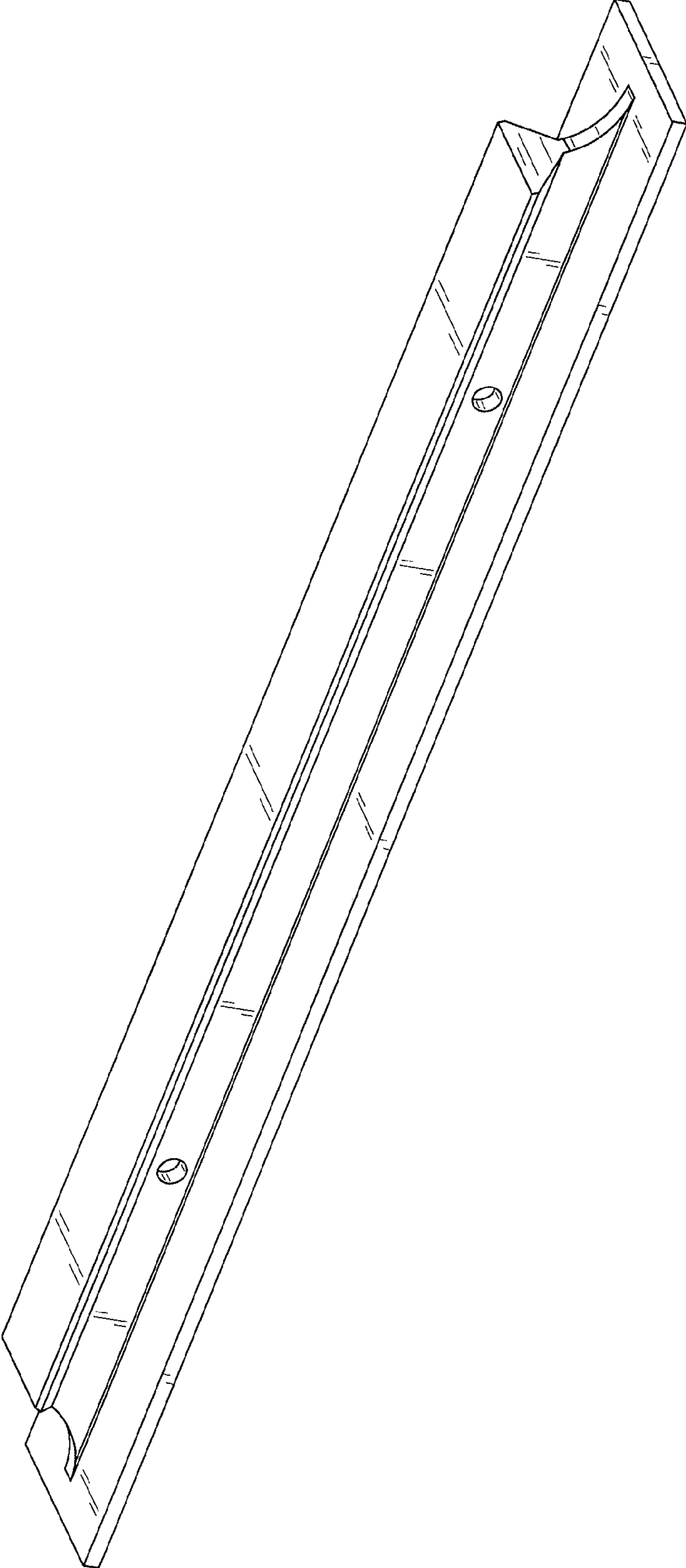


FIG. 8