



US00D689621S

(12) **United States Design Patent**
Morrow et al.

(10) **Patent No.:** **US D689,621 S**

(45) **Date of Patent:** **** Sep. 10, 2013**

(54) **LABORATORY INSTRUMENT HOUSING**

(75) Inventors: **James D. Morrow**, Oak Park, IL (US);
Bruce R. Boeke, Ames, IA (US)

(73) Assignee: **Advanced Analytical Technologies, Inc.**, Ames, IA (US)

(**) Term: **14 Years**

(21) Appl. No.: **29/421,549**

(22) Filed: **Mar. 15, 2012**

Related U.S. Application Data

(63) Continuation-in-part of application No. 29/389,556, filed on Apr. 13, 2011, now abandoned.

(51) **LOC (9) Cl.** **24-02**

(52) **U.S. Cl.**
USPC **D24/232**

(58) **Field of Classification Search**
USPC D24/231–232, 185–186, 216, 229;
D10/81; D6/436, 445–446, 510; 422/62,
422/65–66, 63, 80–81, 89
See application file for complete search history.

(56) **References Cited**

U.S. PATENT DOCUMENTS

D207,537 S	5/1967	Parks	
D207,582 S	5/1967	Perrine	
D215,275 S	9/1969	Oye	
D233,511 S	11/1974	Condon et al.	
D319,102 S *	8/1991	Futatsuka et al. D24/232
D347,478 S	5/1994	Pinkney	
D368,143 S *	3/1996	Willows et al. D24/232

D421,653 S	3/2000	Purcell	
D454,399 S	3/2002	Doms et al.	
D542,931 S *	5/2007	Pukall et al. D24/232
D571,480 S	6/2008	Beck et al.	
7,834,278 B1	11/2010	Zeiss et al.	
D634,442 S	3/2011	Tajima et al.	
D652,947 S *	1/2012	Philipak et al. D24/216
D670,401 S *	11/2012	Tsuda et al. D24/216

* cited by examiner

Primary Examiner — Wan Laymon

(74) *Attorney, Agent, or Firm* — McKee, Voorhees & Sease, P.L.C.

(57) **CLAIM**

We claim the ornamental design for a laboratory instrument housing, as shown and described.

DESCRIPTION

FIG. 1 is a left-front perspective view of a laboratory instrument housing.

FIG. 2 is a right-front perspective view.

FIG. 3 is a front view.

FIG. 4 is a back view.

FIG. 5 is a left side view

FIG. 6 is a right side view.

FIG. 7 is a bottom view.

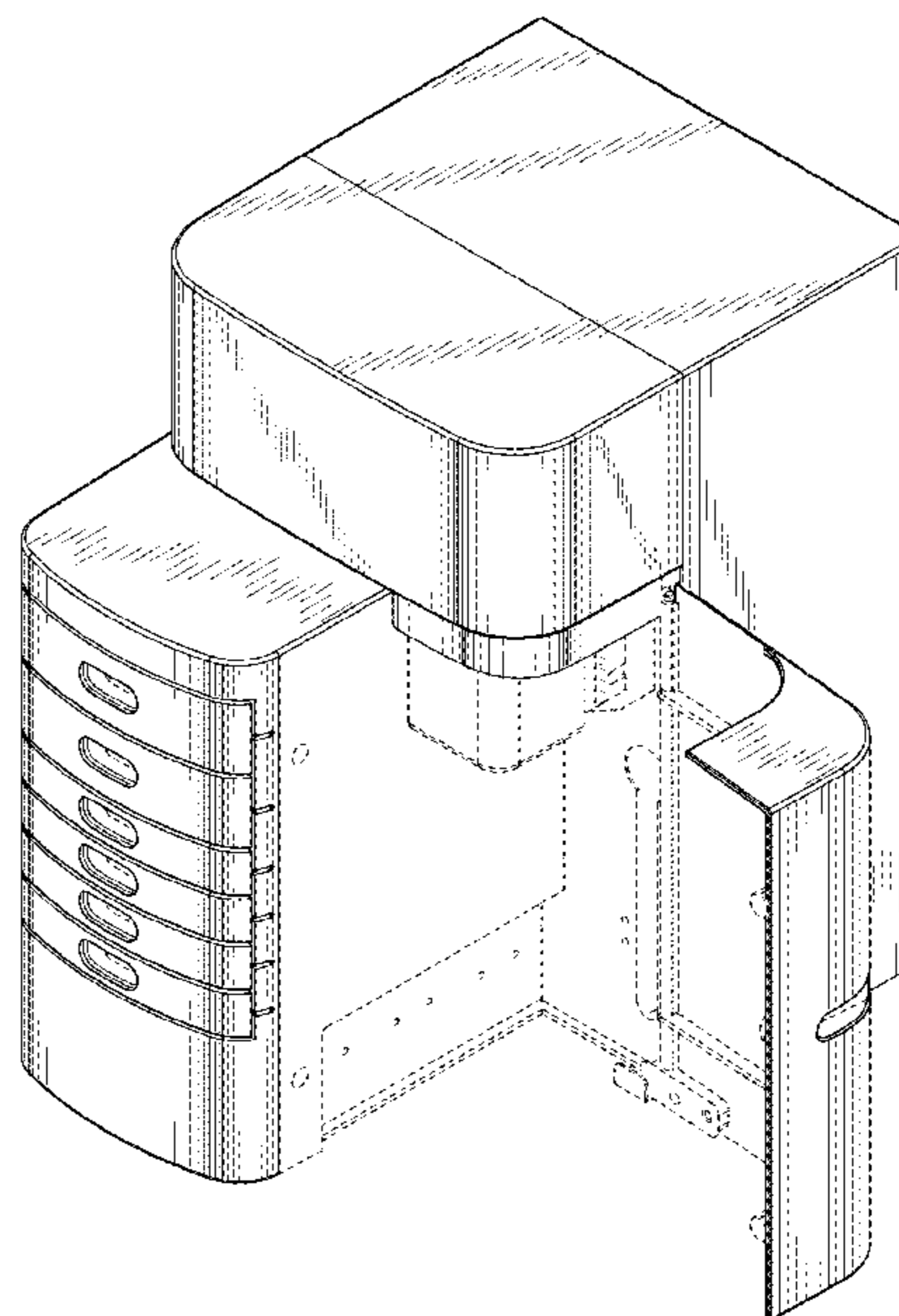
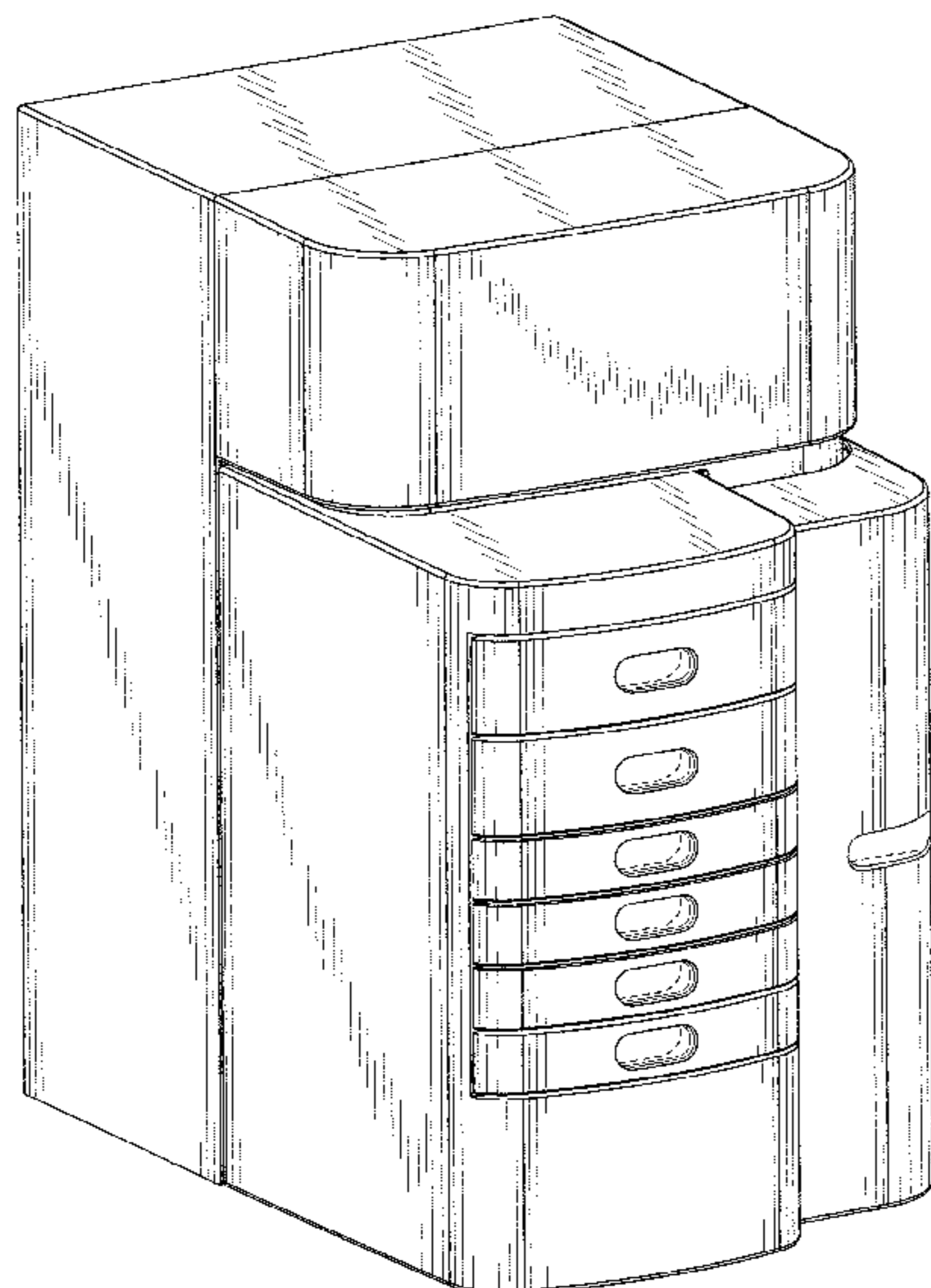
FIG. 8 is a right perspective view with a drawer in an open position.

FIG. 9 is a left perspective view with the door shown in the open position; and,

FIG. 10 is a top view.

The broken lines shown in the figures represent portions of the laboratory instrument housing that form no part of the claimed design.

1 Claim, 10 Drawing Sheets



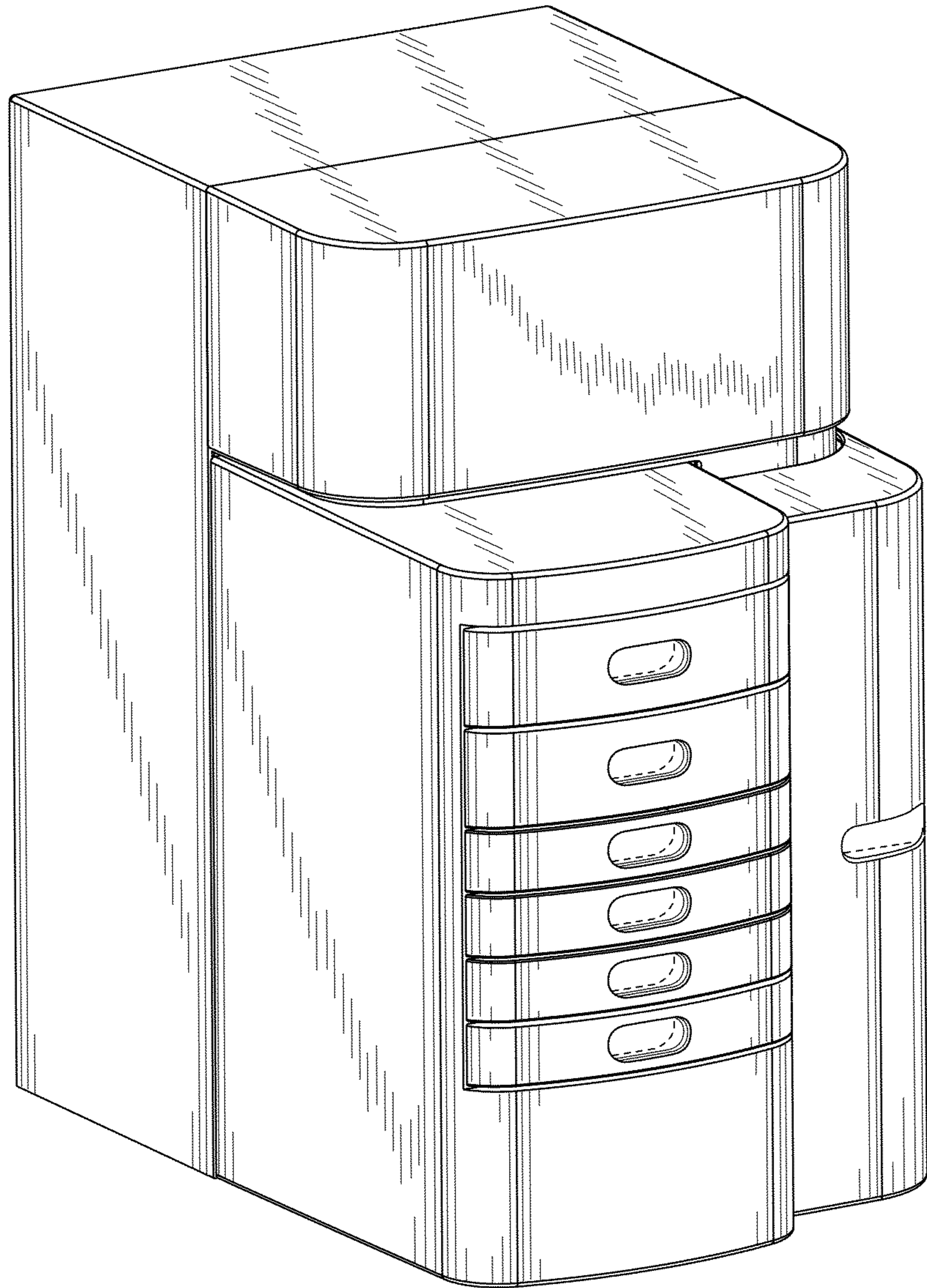


FIG. 1

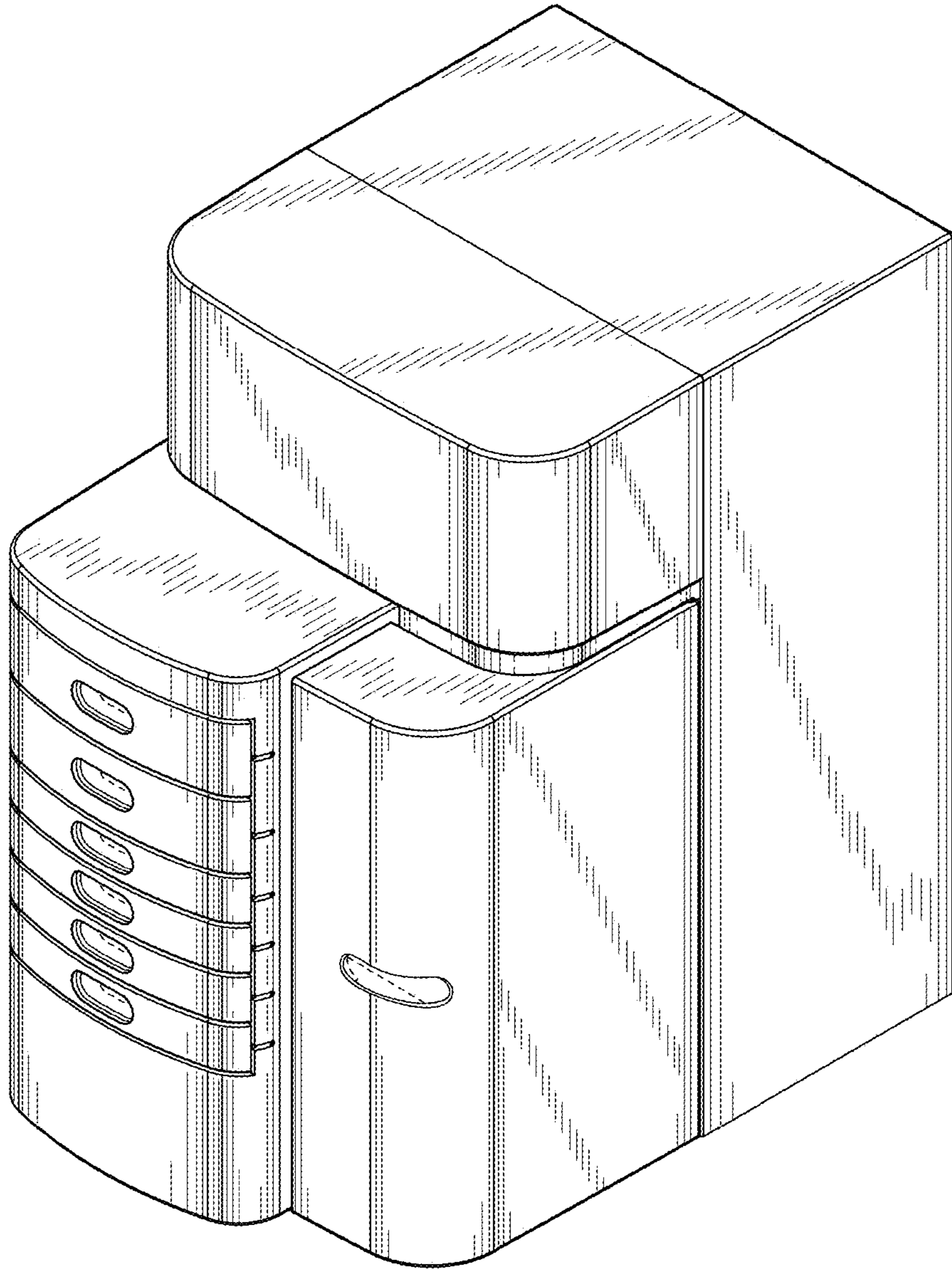


FIG. 2

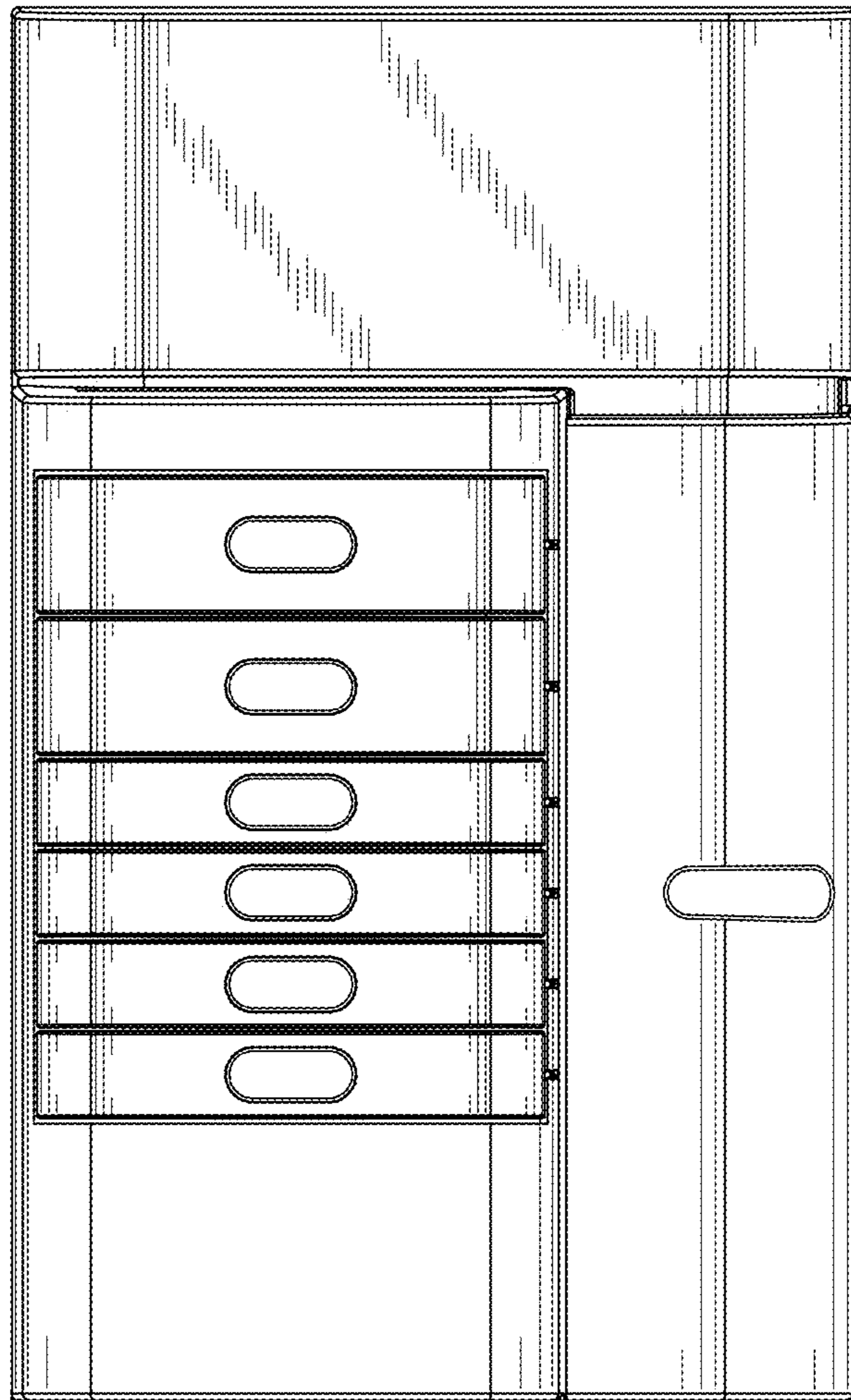


FIG. 3

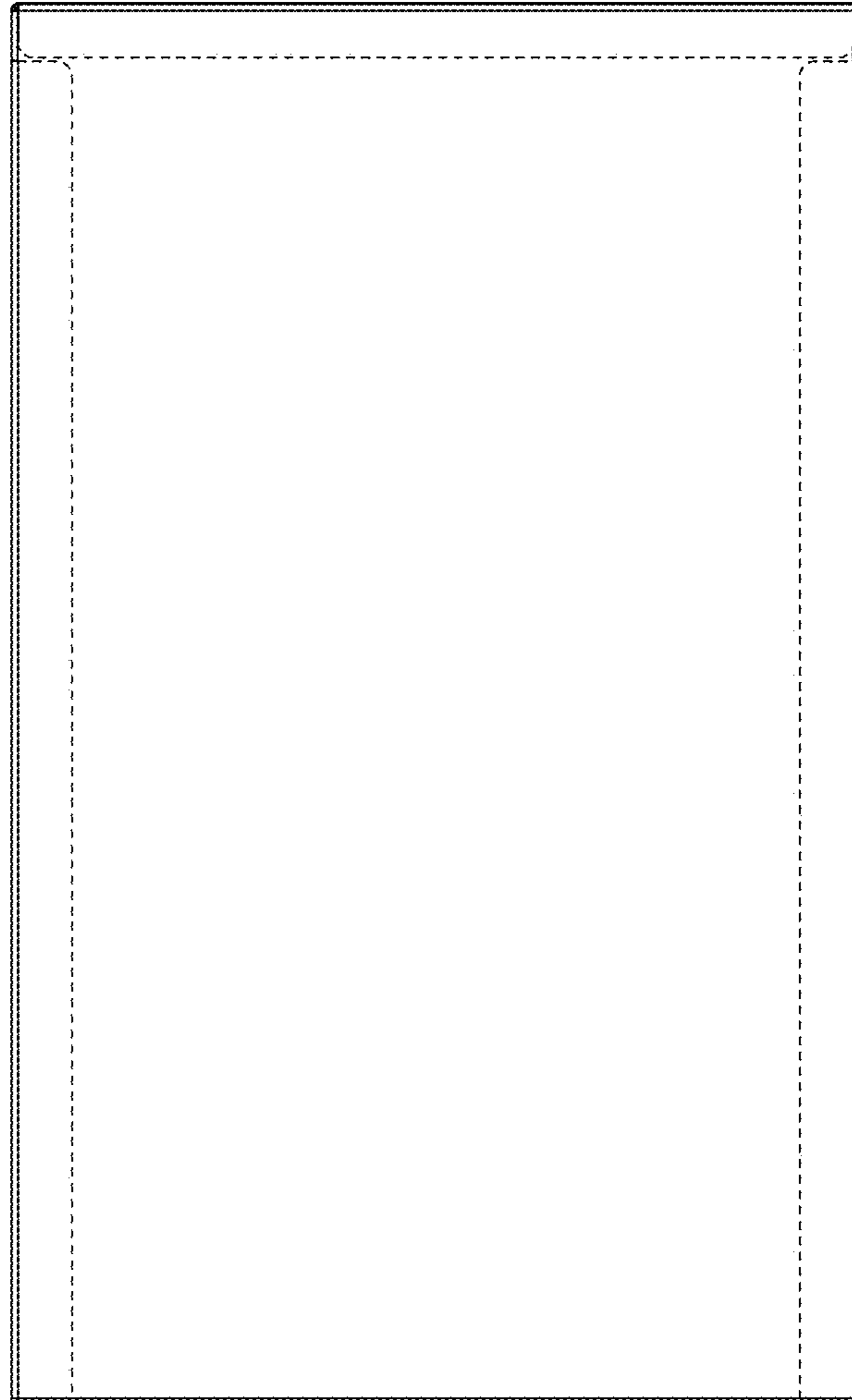


FIG. 4

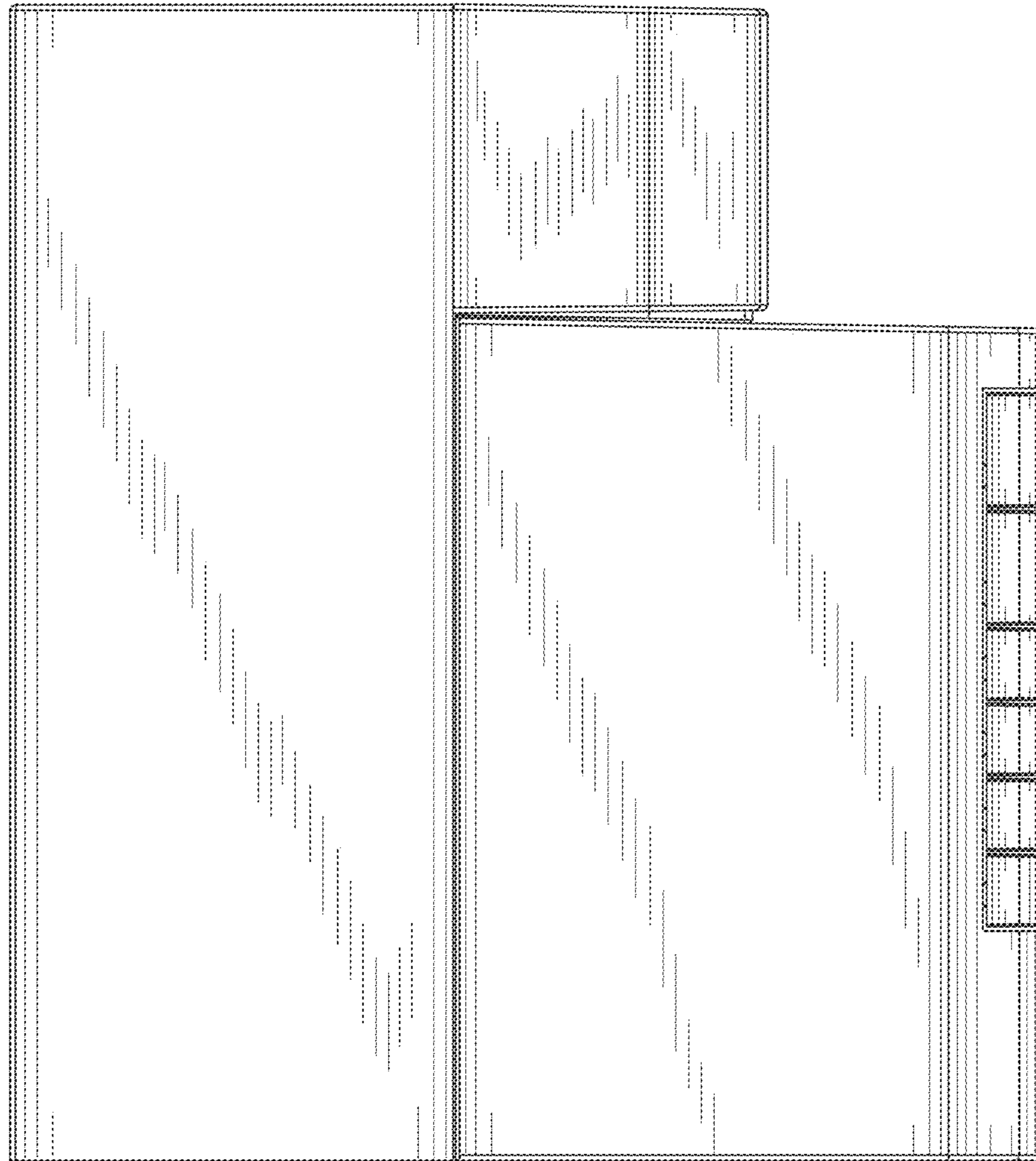


FIG. 5

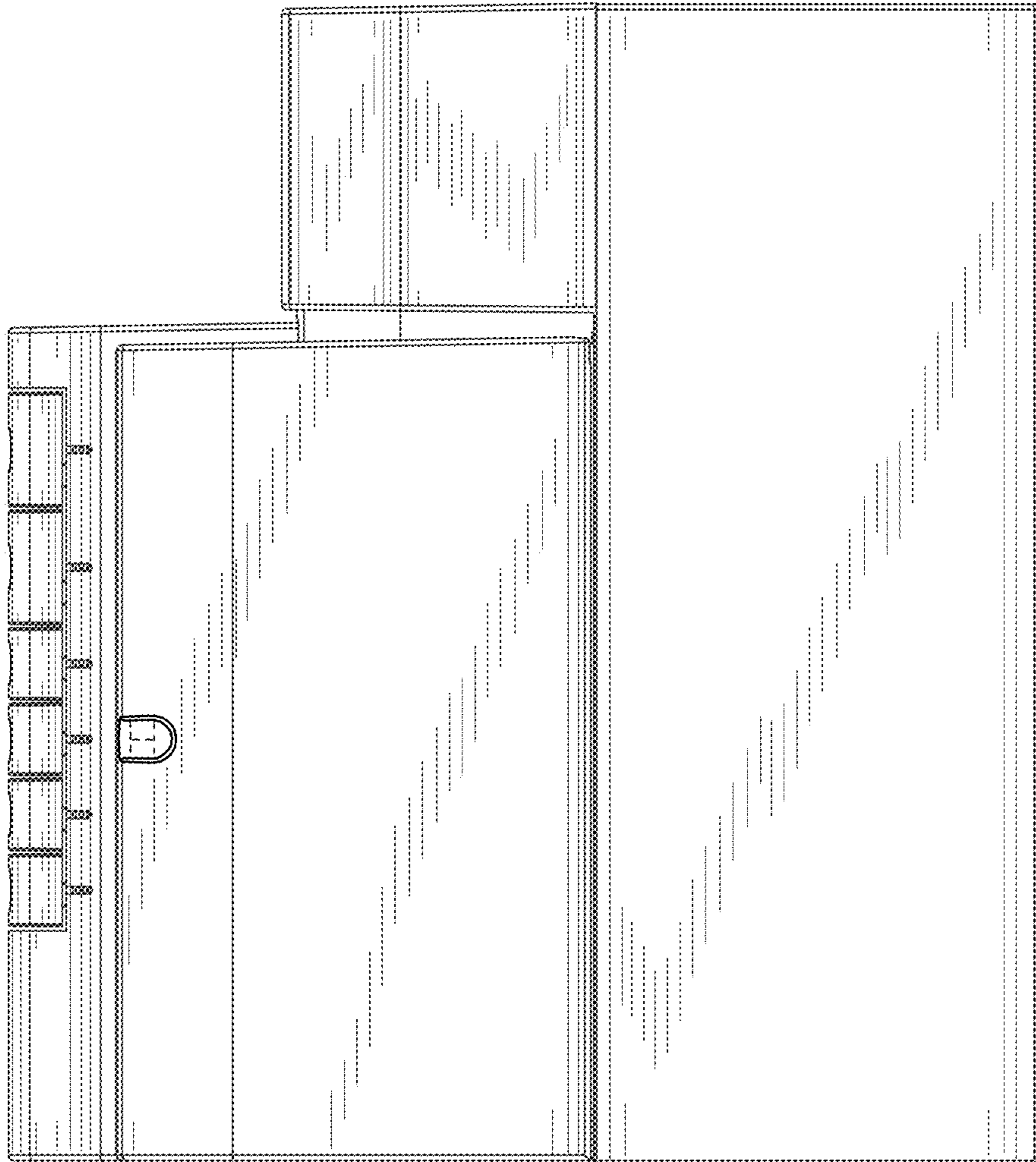


FIG. 6

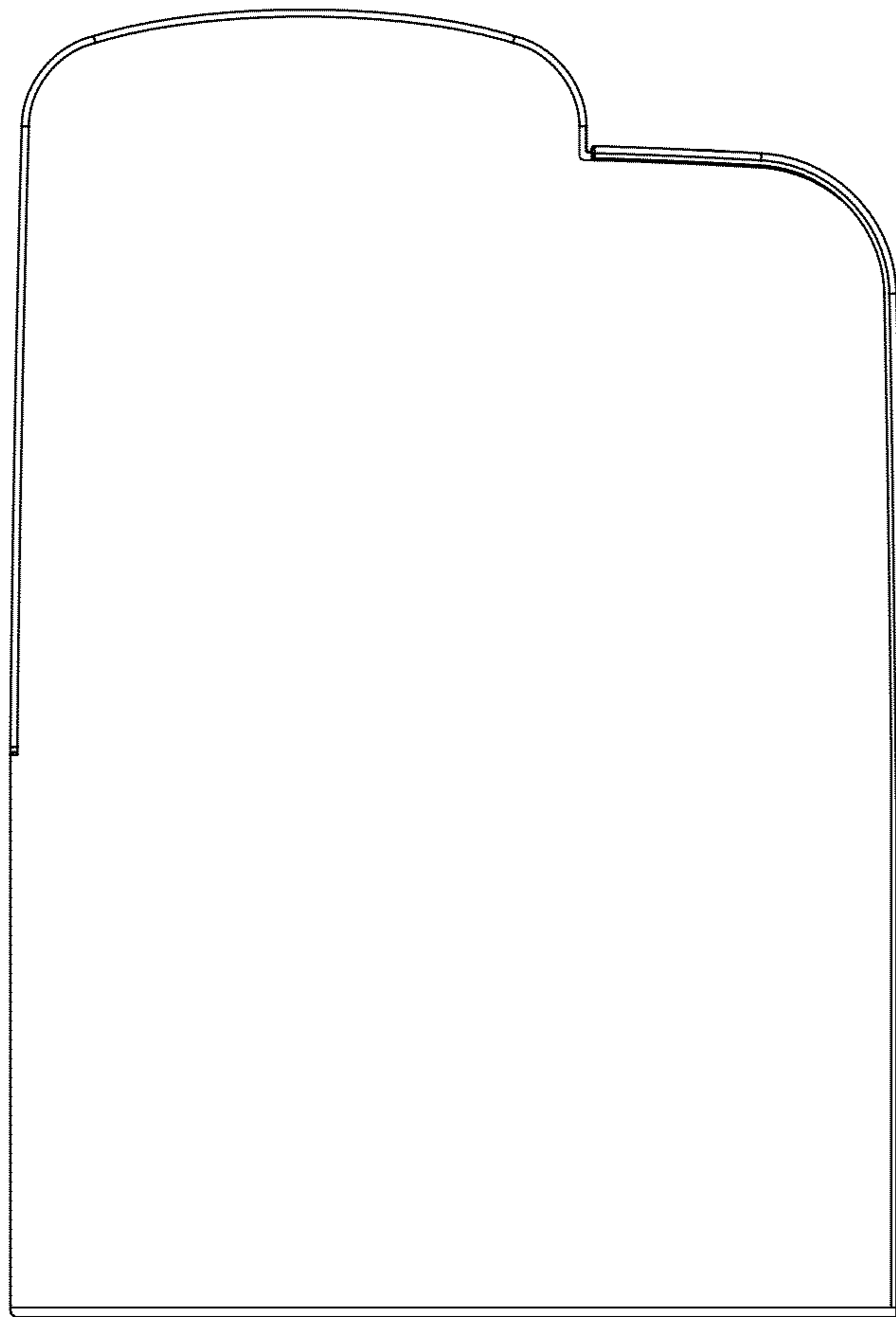


FIG. 7

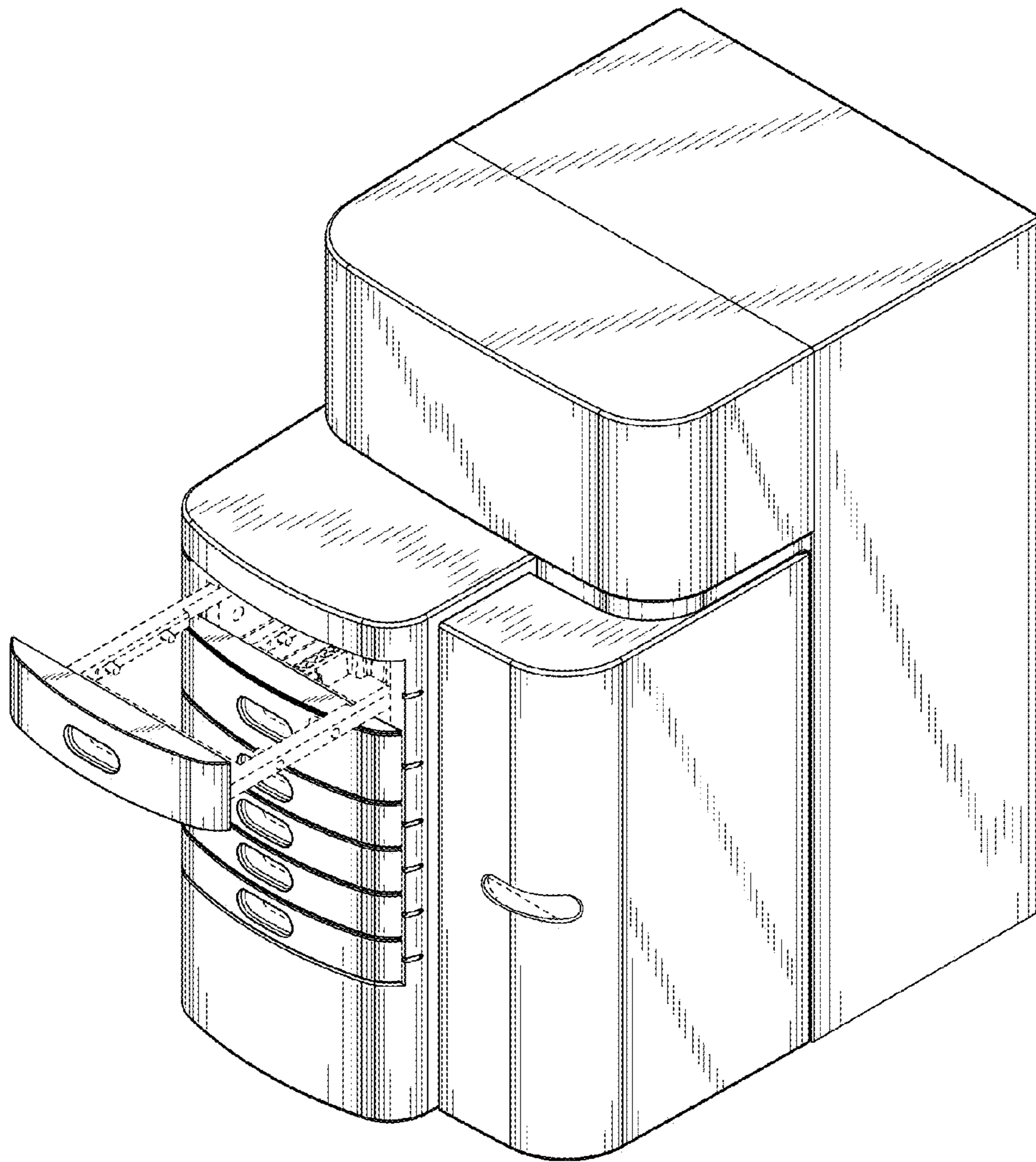


FIG. 8

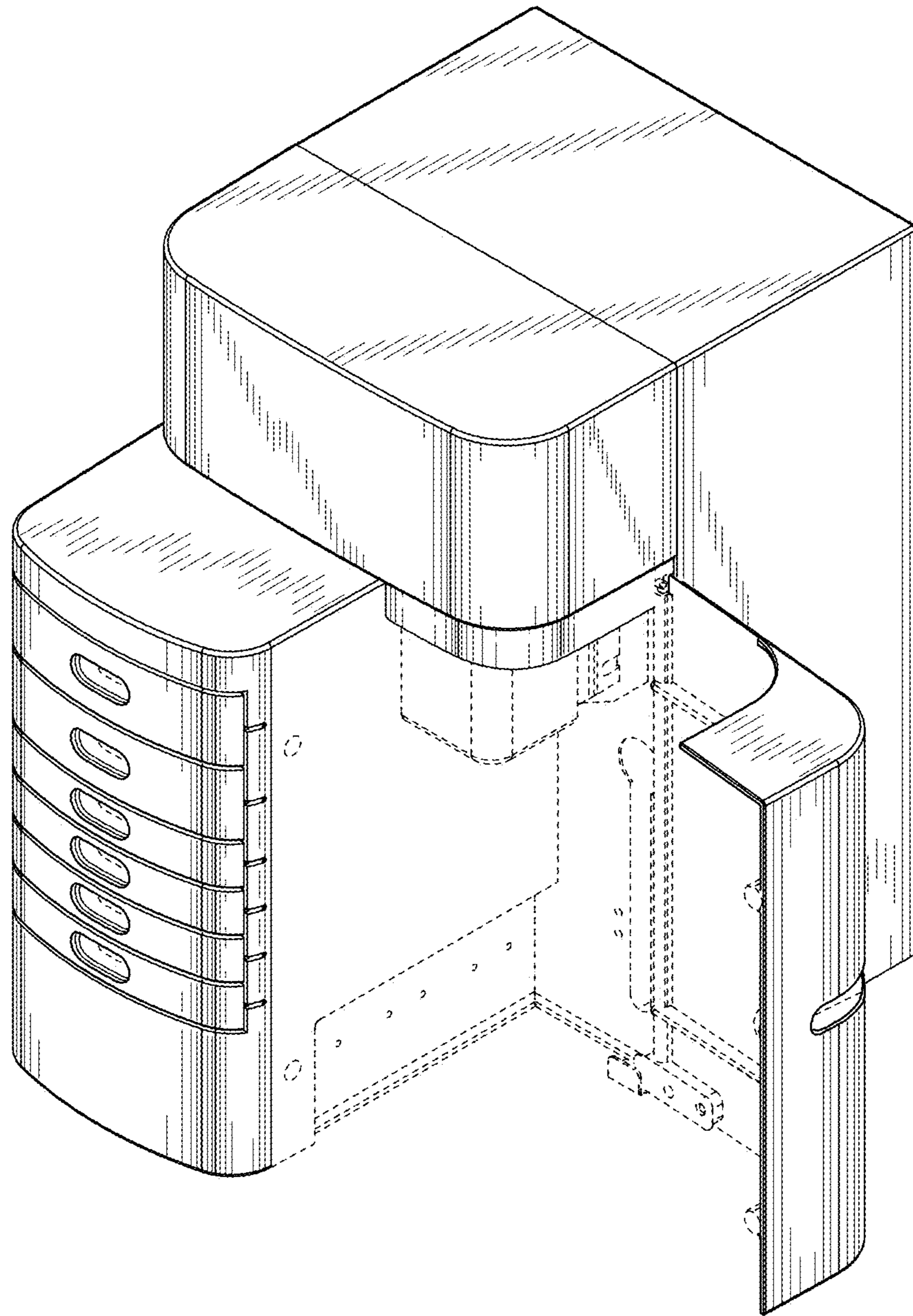


FIG. 9

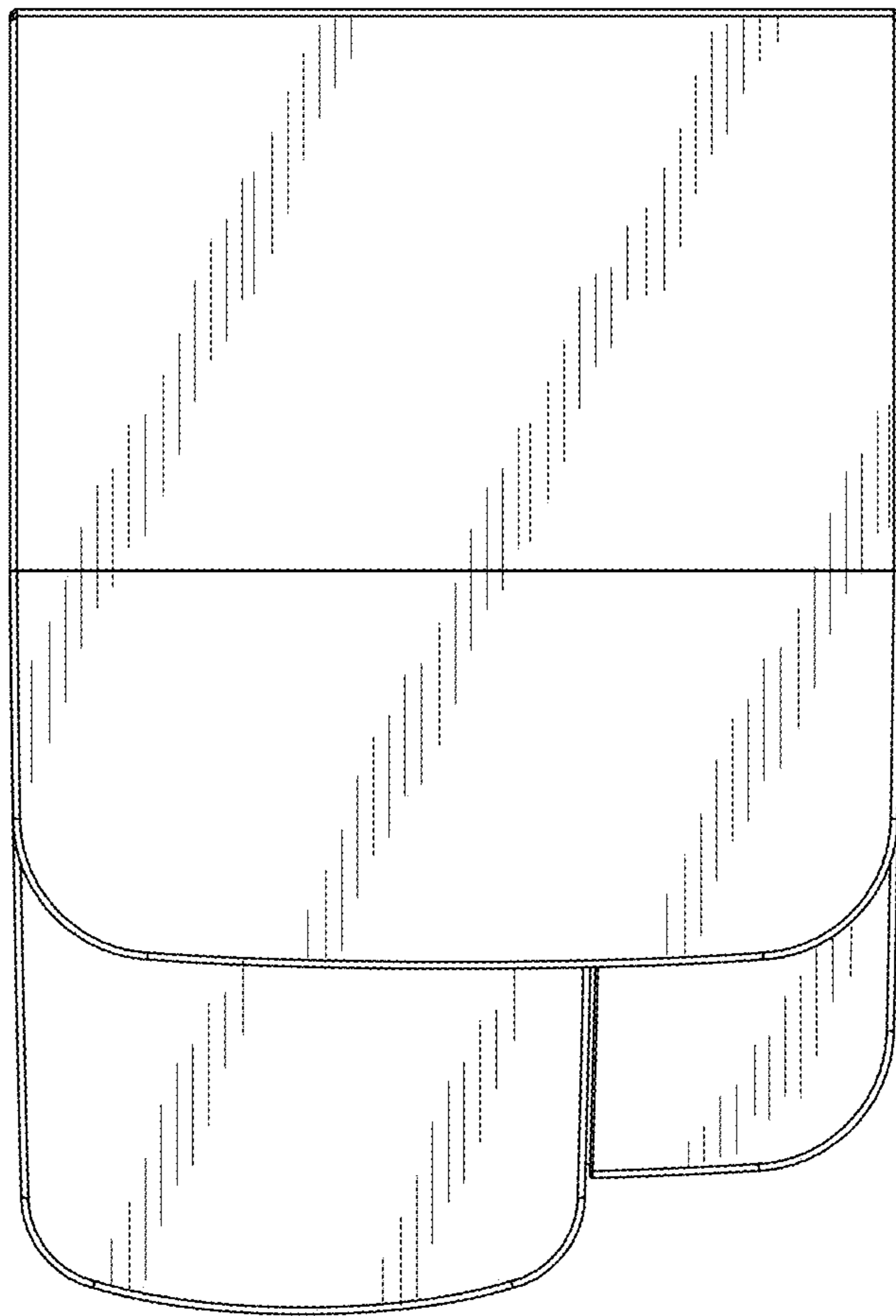


FIG. 10